



US00D897500S

(12) **United States Design Patent** (10) **Patent No.:** **US D897,500 S**  
**Shinozaki et al.** (45) **Date of Patent:** **\*\* Sep. 29, 2020**

(54) **CONTROL VALVE**  
 (71) Applicant: **SMC CORPORATION**, Tokyo (JP)  
 (72) Inventors: **Kenji Shinozaki**, Koshigaya (JP);  
**Kenji Moriyama**, Tsukubamirai (JP);  
**Tadaaki Saka**, Kashiwa (JP)

D857,172 S 8/2019 Shinozaki et al.  
 D857,851 S 8/2019 Shinozaki et al.  
 D857,852 S 8/2019 Shinozaki et al.  
 D857,853 S 8/2019 Shinozaki et al.  
 D858,713 S 9/2019 Shinozaki et al.  
 D871,551 S 12/2019 Shinozaki et al.  
 D872,236 S 1/2020 Shinozaki et al.

(73) Assignee: **SMC CORPORATION**, Tokyo (JP)  
 (\*\*) Term: **15 Years**

(21) Appl. No.: **29/731,003**  
 (22) Filed: **Apr. 10, 2020**

**Related U.S. Application Data**

(62) Division of application No. 29/637,745, filed on Feb. 21, 2018.

**Foreign Application Priority Data**

Sep. 8, 2017 (CN) ..... 2017 3 0423995

(51) **LOC (12) Cl.** ..... **23-01**

(52) **U.S. Cl.**  
 USPC ..... **D23/245**

(58) **Field of Classification Search**  
 USPC ..... D23/233-249, 252, 262, 264; 137/625.4,  
 137/636.3, 636.2, 454.6, 14, 531, 315.18,  
 137/533.11; 251/285, 314, 315.12  
 CPC .... F16K 11/0716; F16K 7/17; F16K 11/0876;  
 F16K 11/0782  
 See application file for complete search history.

(56) **References Cited**

**U.S. PATENT DOCUMENTS**

D609,306 S 2/2010 Moriyama  
 D609,307 S 2/2010 Moriyama

**FOREIGN PATENT DOCUMENTS**

CN 301264916 S 6/2010  
 CN 301321076 S 8/2010  
 CN 301353224 S 9/2010  
 CN 303267447 S 7/2015  
 JP 1209708 S 6/2004  
 JP 1464628 S 3/2013

*Primary Examiner* — Gino Colan

(74) *Attorney, Agent, or Firm* — Birch, Stewart, Kolasch & Birch, LLP

(57) **CLAIM**

The ornamental design for a control valve, as shown and described.

**DESCRIPTION**

FIG. 1 is a front, top and right side perspective view of a control valve showing our new design;  
 FIG. 2 is a rear, bottom and left side perspective view thereof;  
 FIG. 3 is a front view thereof;  
 FIG. 4 is a rear view thereof;  
 FIG. 5 is a top plan view thereof;  
 FIG. 6 is a bottom plan view thereof;  
 FIG. 7 is a left side view thereof; and,  
 FIG. 8 is a right side view thereof.  
 The broken lines depict portions of the control valve that form no part of the claimed design.

**1 Claim, 8 Drawing Sheets**

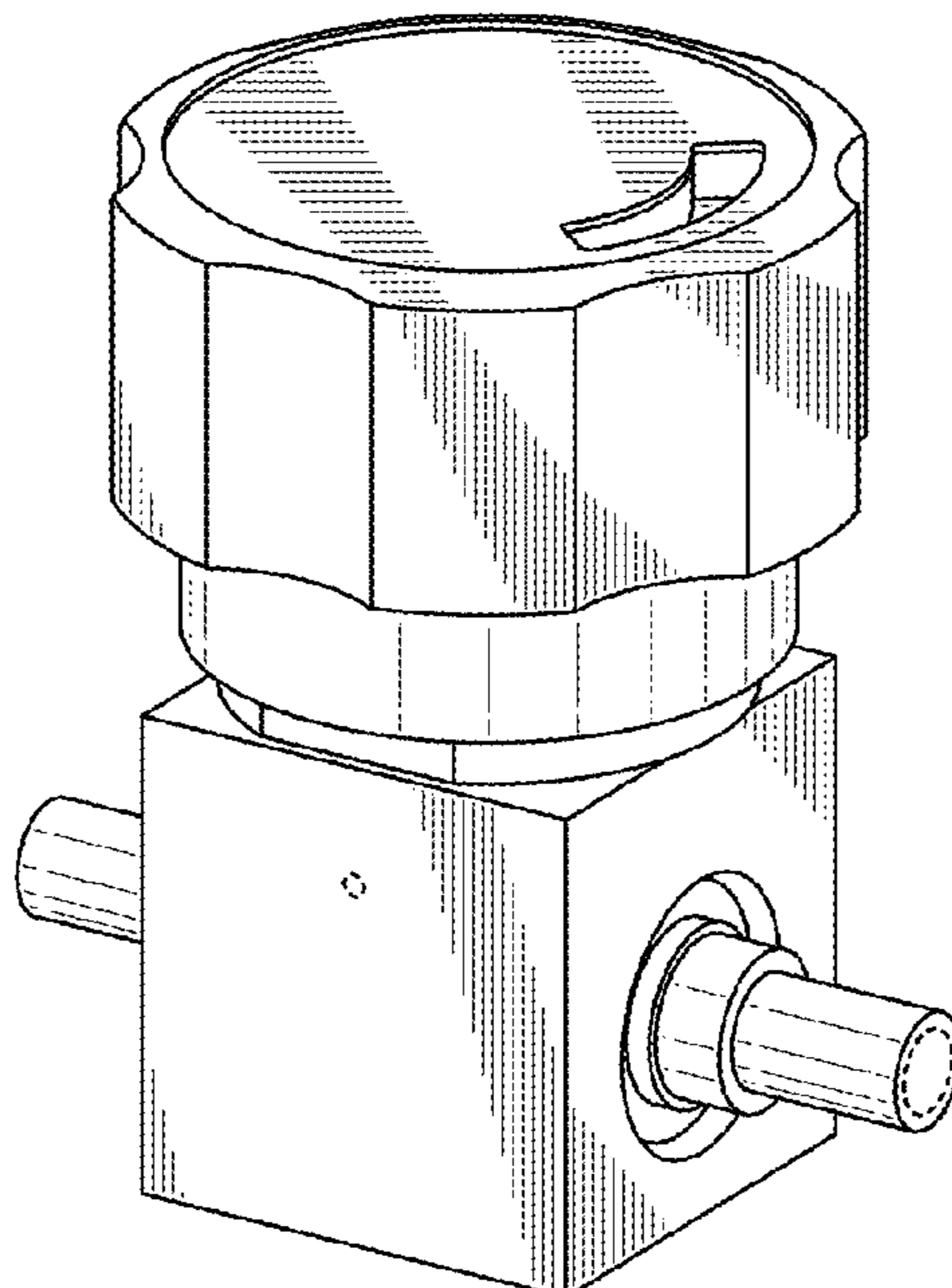


FIG. 1

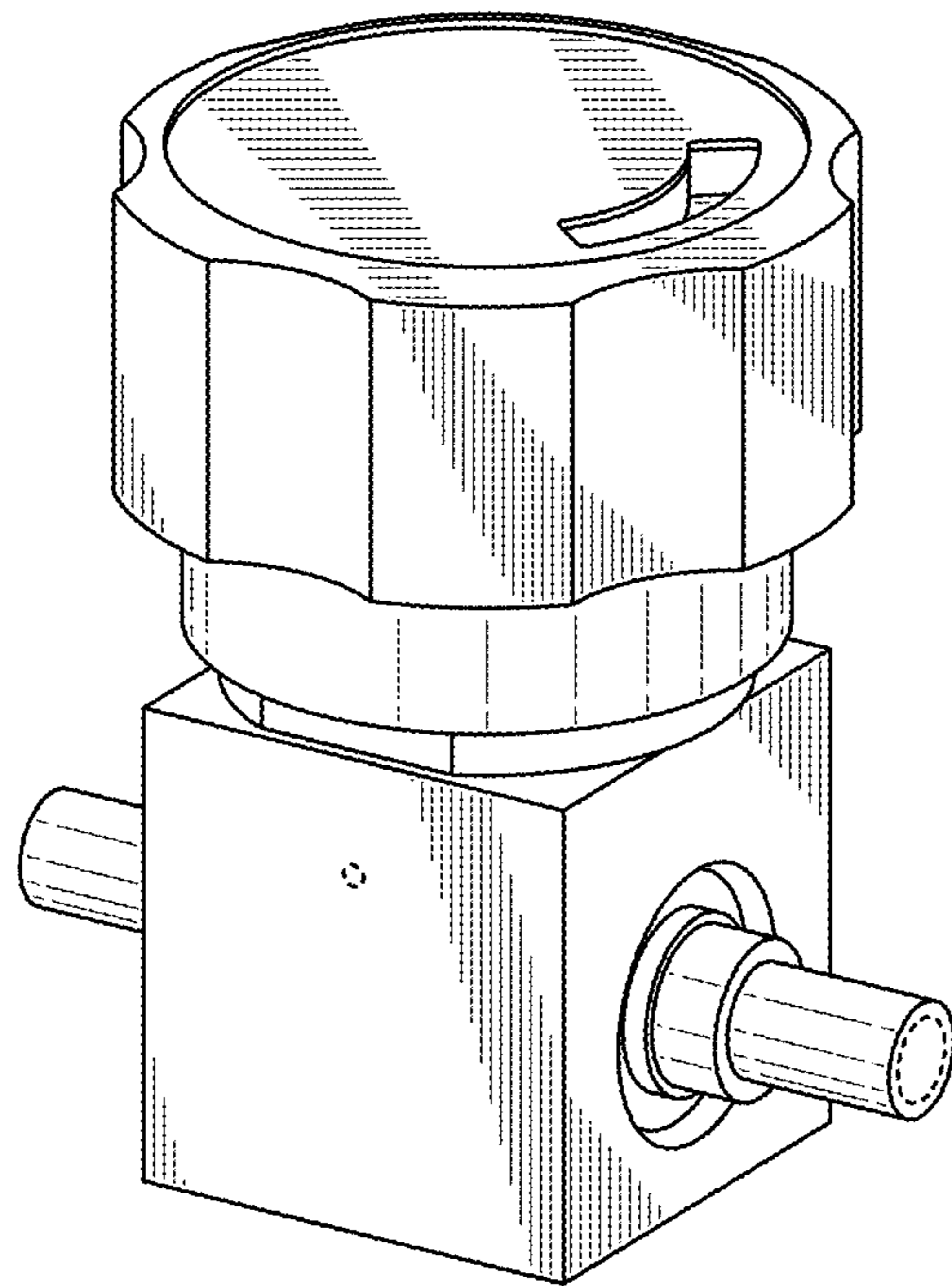


FIG. 2

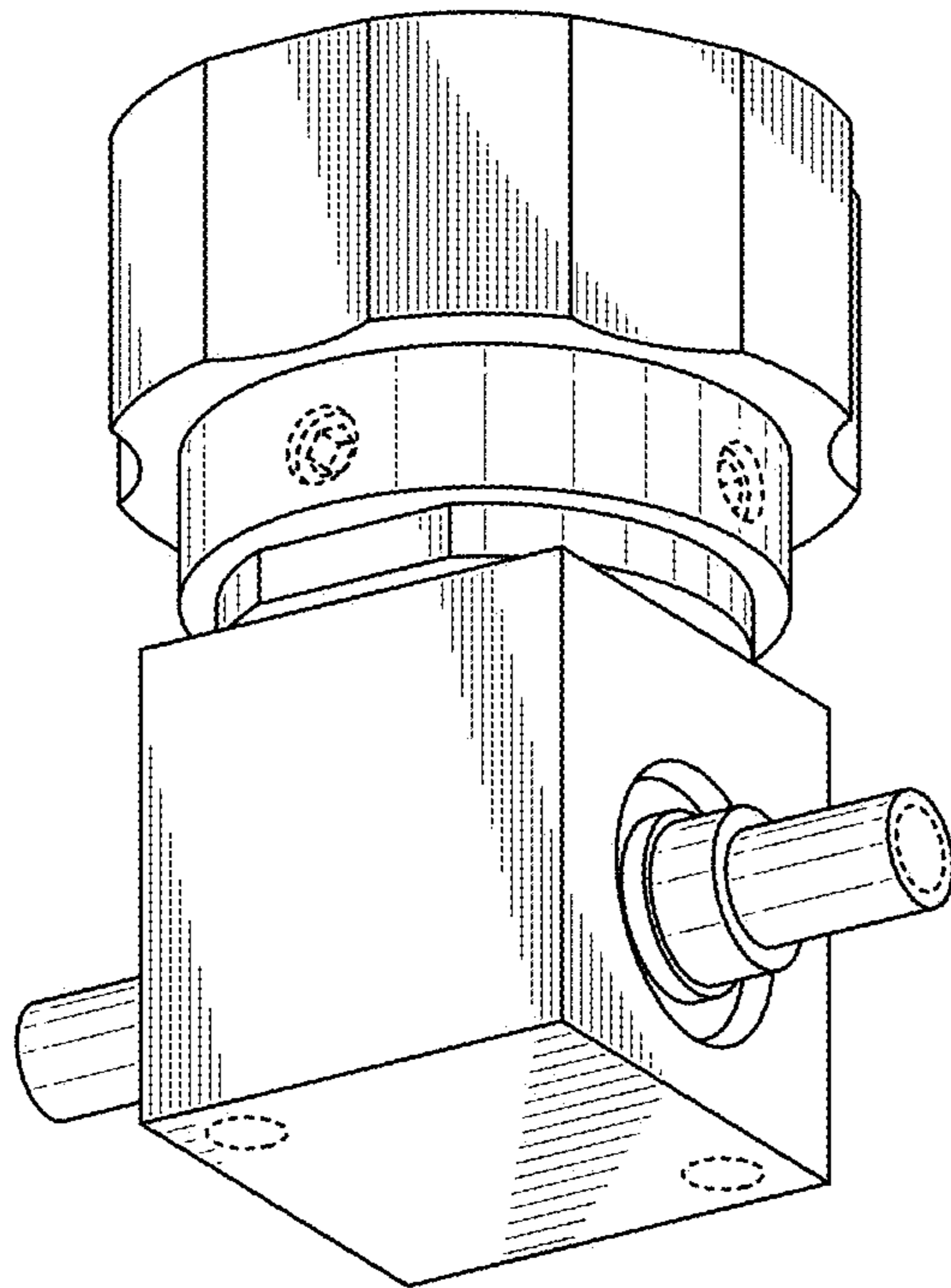


FIG. 3

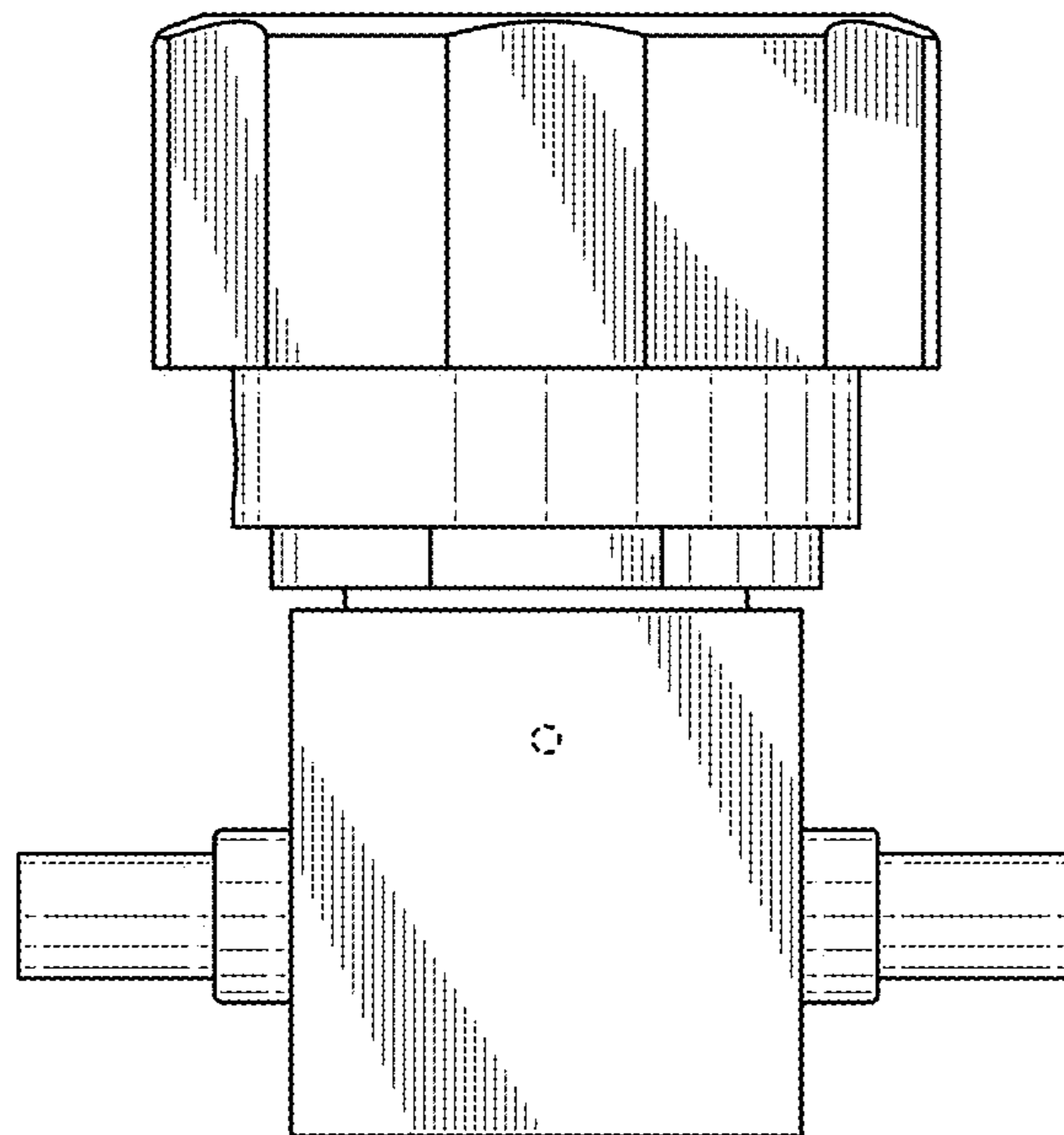


FIG. 4

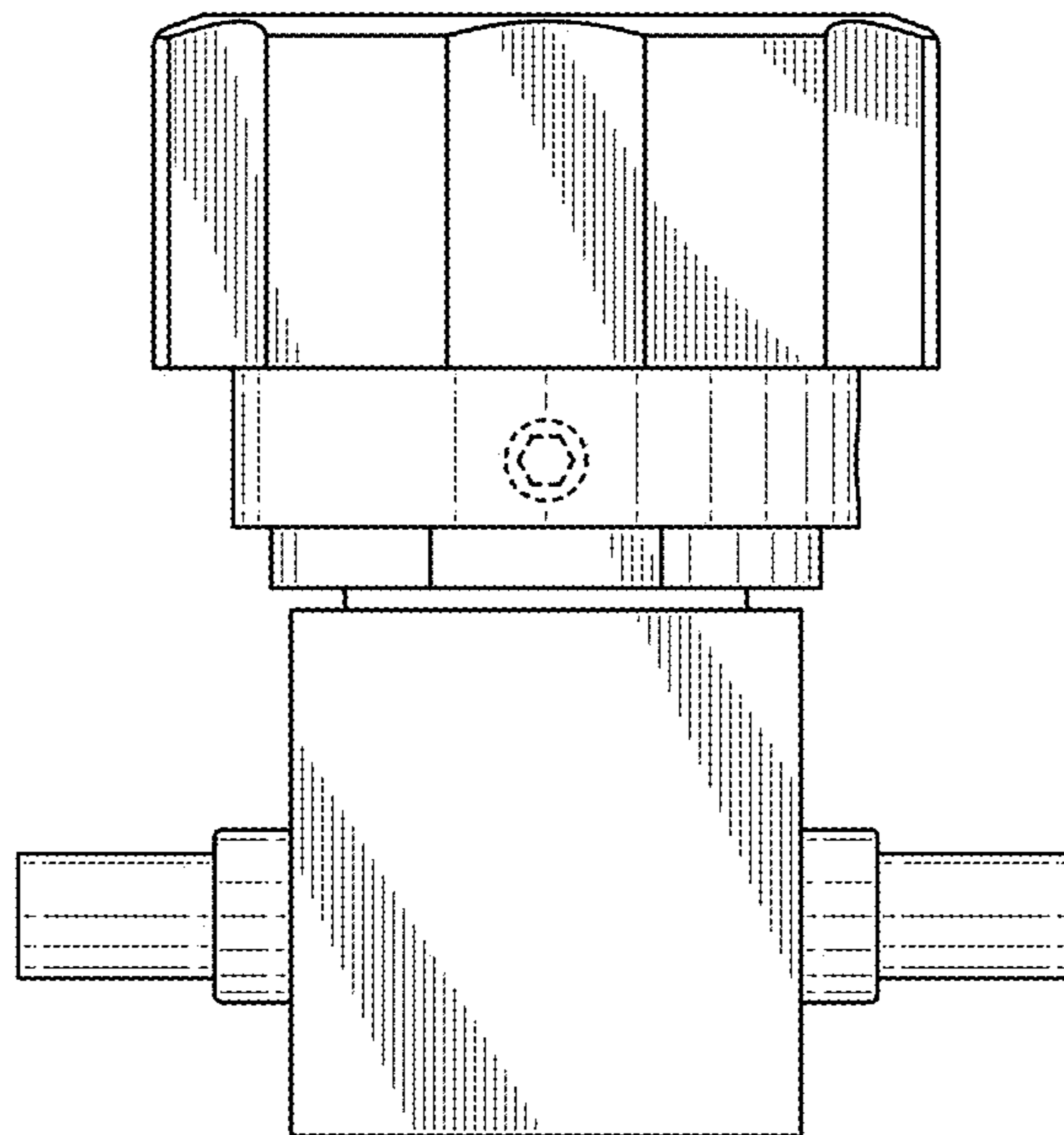


FIG. 5

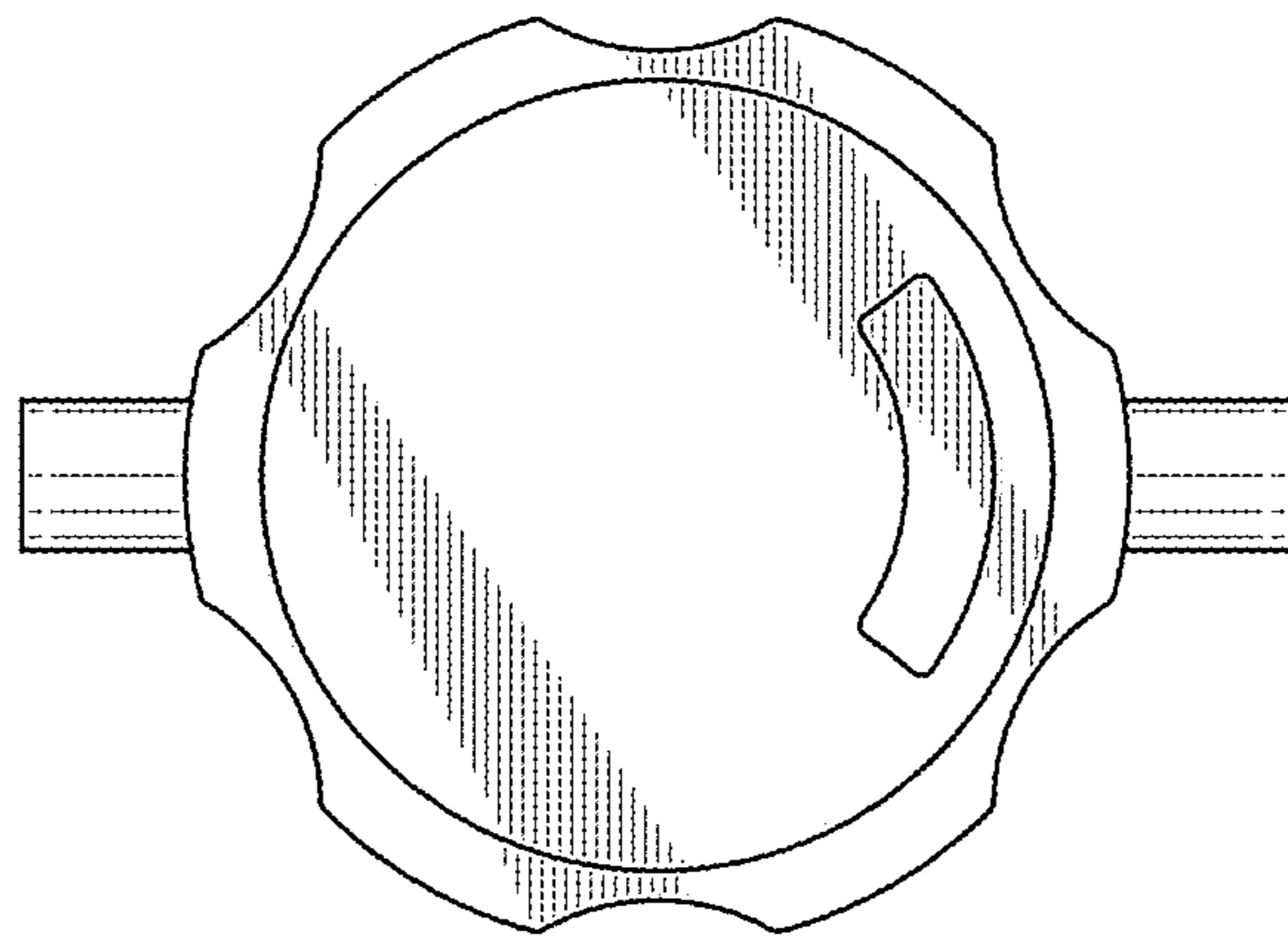


FIG. 6

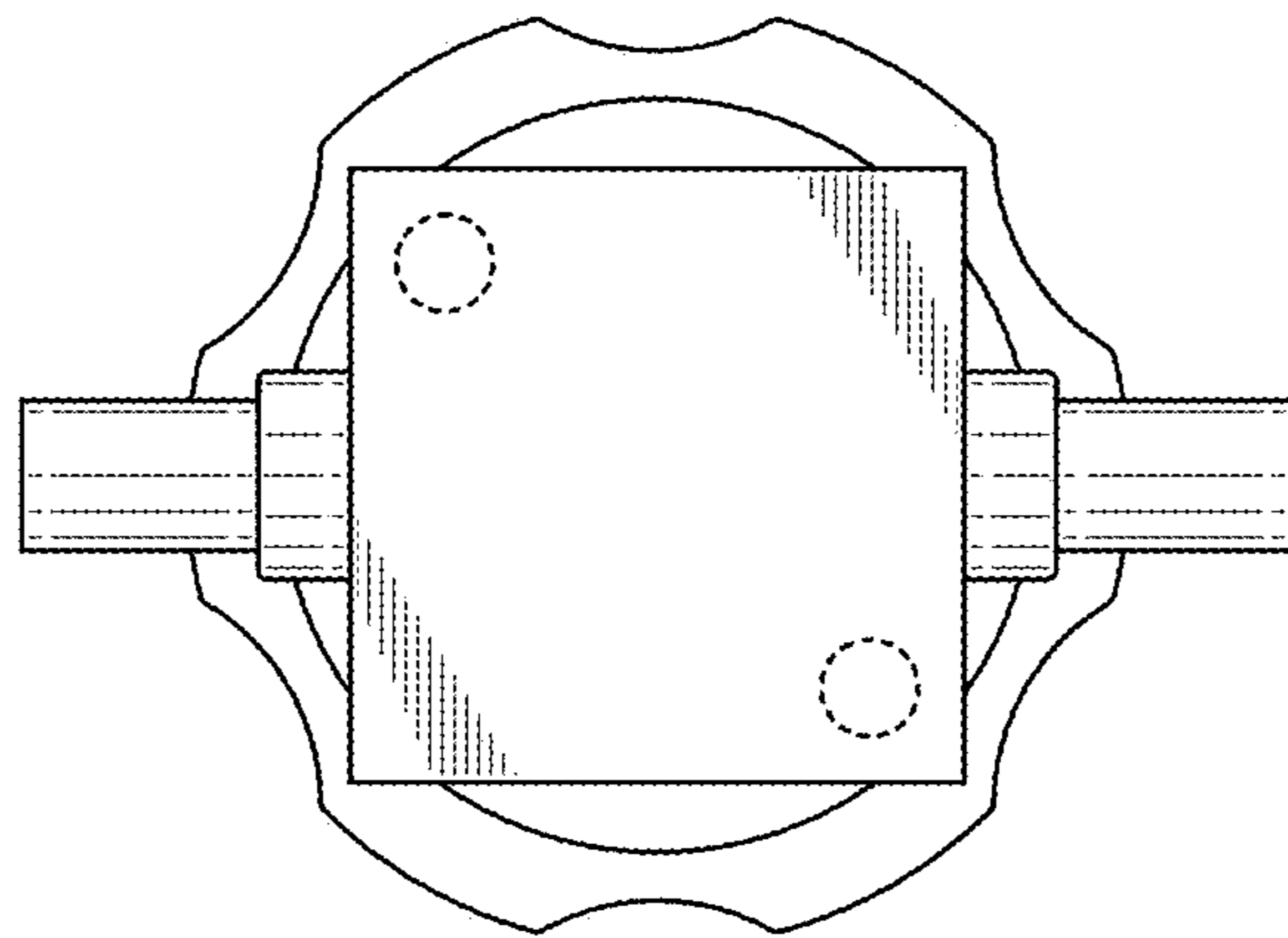


FIG. 7

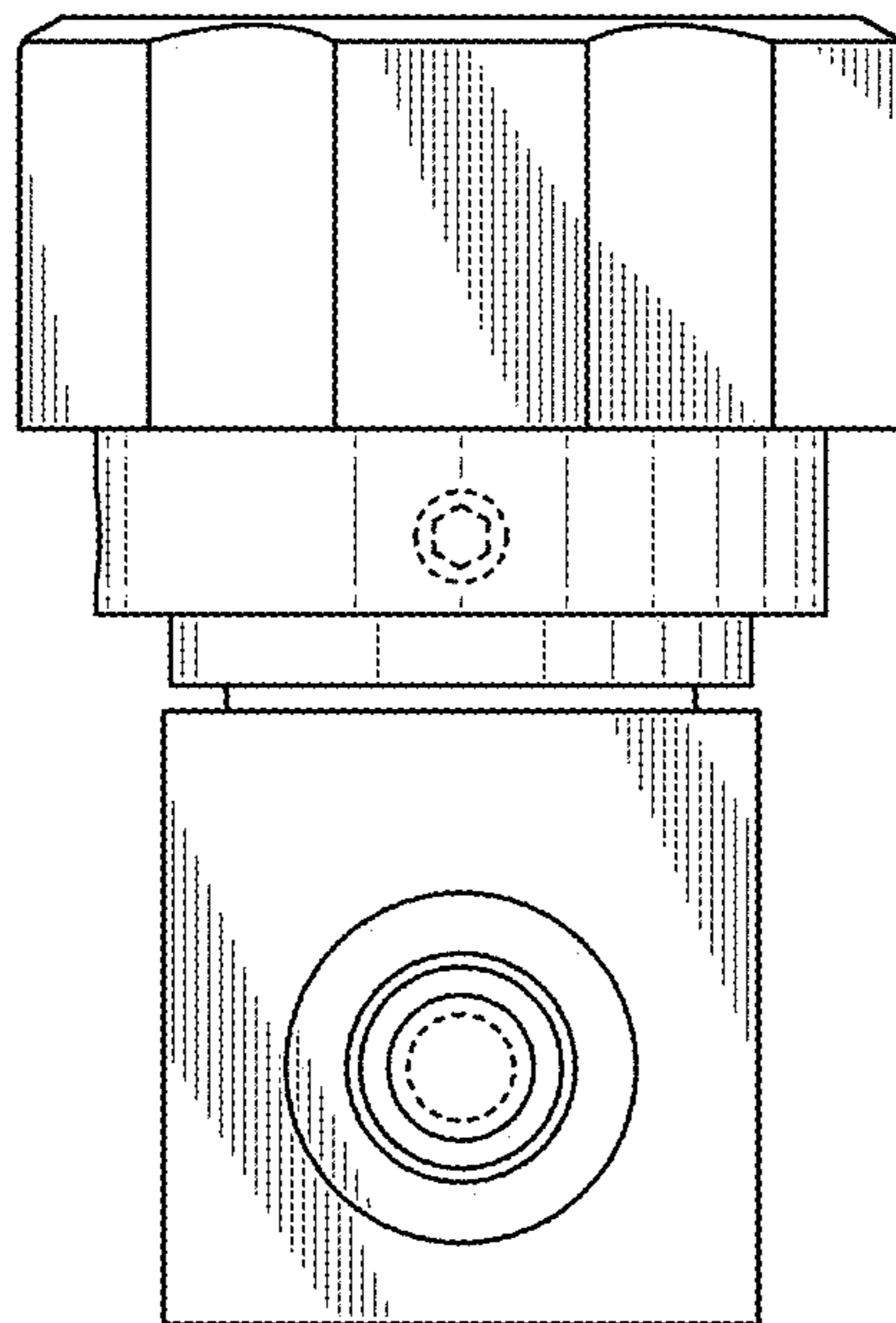




FIG. 8

