



US00D897499S

(12) **United States Design Patent** (10) **Patent No.:** **US D897,499 S**
Shinozaki et al. (45) **Date of Patent:** **** Sep. 29, 2020**

- (54) **CONTROL VALVE**
- (71) Applicant: **SMC CORPORATION**, Tokyo (JP)
- (72) Inventors: **Kenji Shinozaki**, Koshigaya (JP);
Kenji Moriyama, Tsukubamirai (JP);
Tadaaki Saka, Kashiwa (JP)
- (73) Assignee: **SMC CORPORATION**, Tokyo (JP)
- (**) Term: **15 Years**
- (21) Appl. No.: **29/731,001**
- (22) Filed: **Apr. 10, 2020**

D857,852 S 8/2019 Shinozaki et al.
D857,853 S 8/2019 Shinozaki et al.
D858,713 S 9/2019 Shinozaki et al.
D871,551 S 12/2019 Shinozaki et al.
D872,236 S 1/2020 Shinozaki et al.

FOREIGN PATENT DOCUMENTS

CN	301264916 S	6/2010
CN	301321076 S	8/2010
CN	301353224 S	9/2010
CN	303267447 S	7/2015
JP	1209708 S	6/2004
JP	1464628 S	3/2013

OTHER PUBLICATIONS

U.S. Appl. No. 29/637,745, filed Feb. 21, 2018.

Related U.S. Application Data

- (62) Division of application No. 29/637,745, filed on Feb. 21, 2018.

Primary Examiner — Gino Colan

(74) *Attorney, Agent, or Firm* — Birch, Stewart, Kolasch & Birch, LLP

(30) **Foreign Application Priority Data**

Sep. 8, 2017 (CN) 2017 3 0423995

- (51) **LOC (12) Cl.** **23-01**

- (52) **U.S. Cl.**
USPC **D23/245**

- (58) **Field of Classification Search**
USPC D23/233–249, 252, 262–264; 137/625.4,
137/636.3, 636.2, 454.6, 14, 531, 315.18,
137/533.11; 251/285, 314, 315.12
CPC F16K 7/17; F16K 11/0876; F16K 11/0782;
F16K 11/0716
See application file for complete search history.

(57) **CLAIM**

The ornamental design for a control valve, as shown and described.

DESCRIPTION

FIG. 1 is a front, top and right side perspective view of a control valve showing our new design;
FIG. 2 is a rear, bottom and left side perspective view thereof;
FIG. 3 is a front view thereof;
FIG. 4 is a rear view thereof;
FIG. 5 is a top plan view thereof;
FIG. 6 is a bottom plan view thereof;
FIG. 7 is a left side view thereof; and,
FIG. 8 is a right side view thereof.
The broken lines depict portions of the control valve that form no part of the claimed design.

(56) **References Cited**

U.S. PATENT DOCUMENTS

D609,306 S	2/2010	Moriyama
D609,307 S	2/2010	Moriyama
D857,172 S	8/2019	Shinozaki et al.
D857,851 S	8/2019	Shinozaki et al.

1 Claim, 8 Drawing Sheets

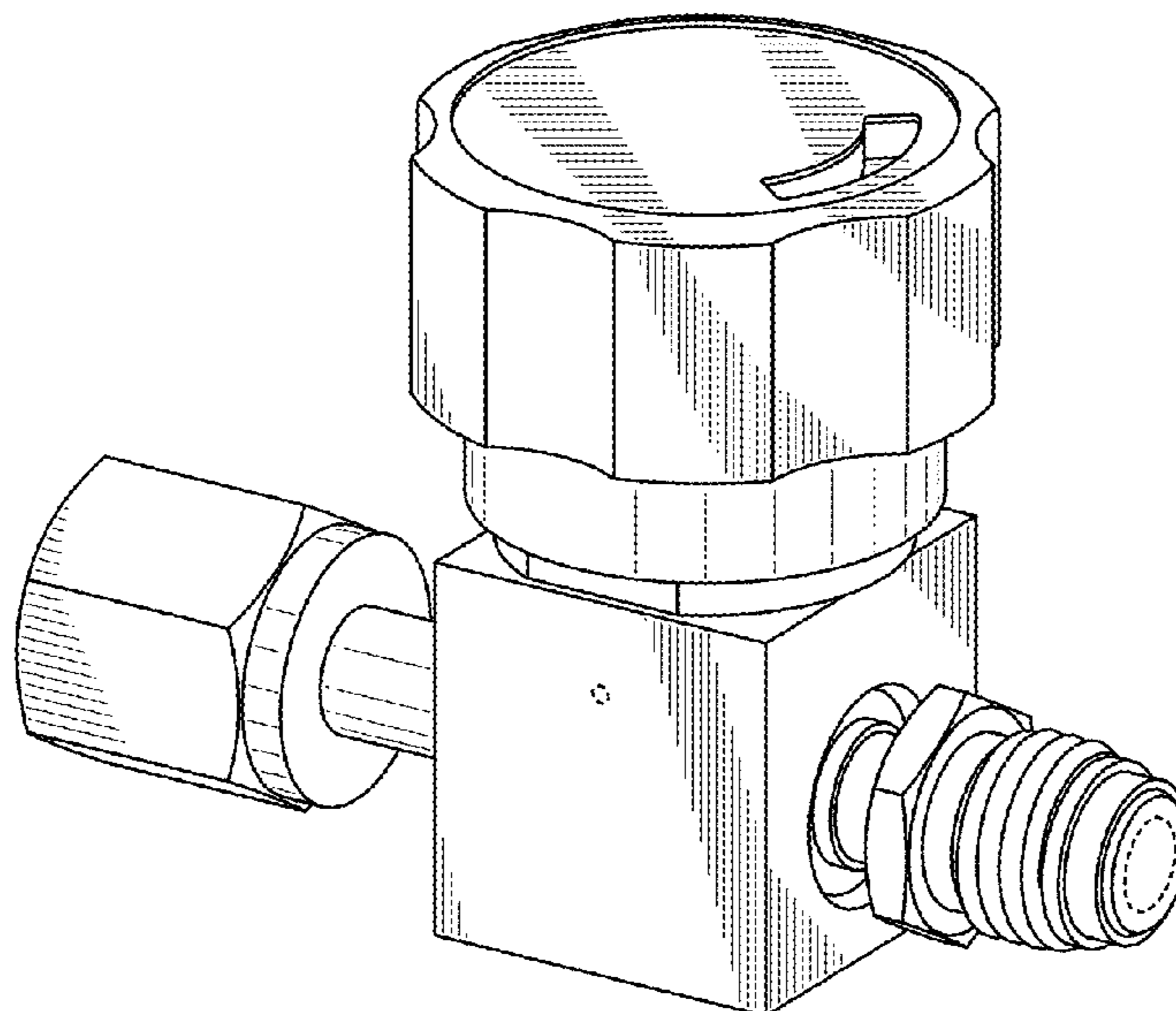


FIG. 1

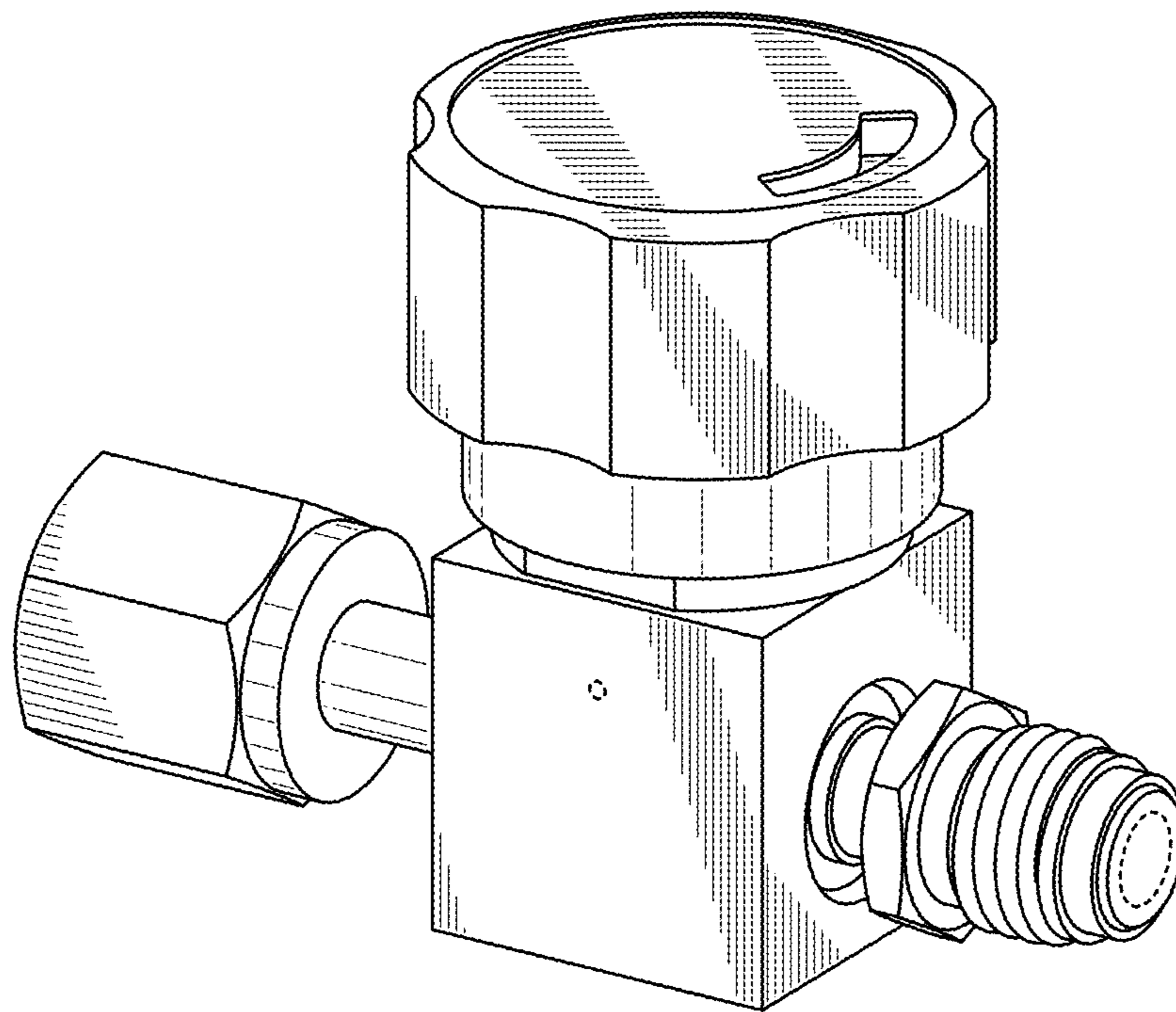


FIG. 2

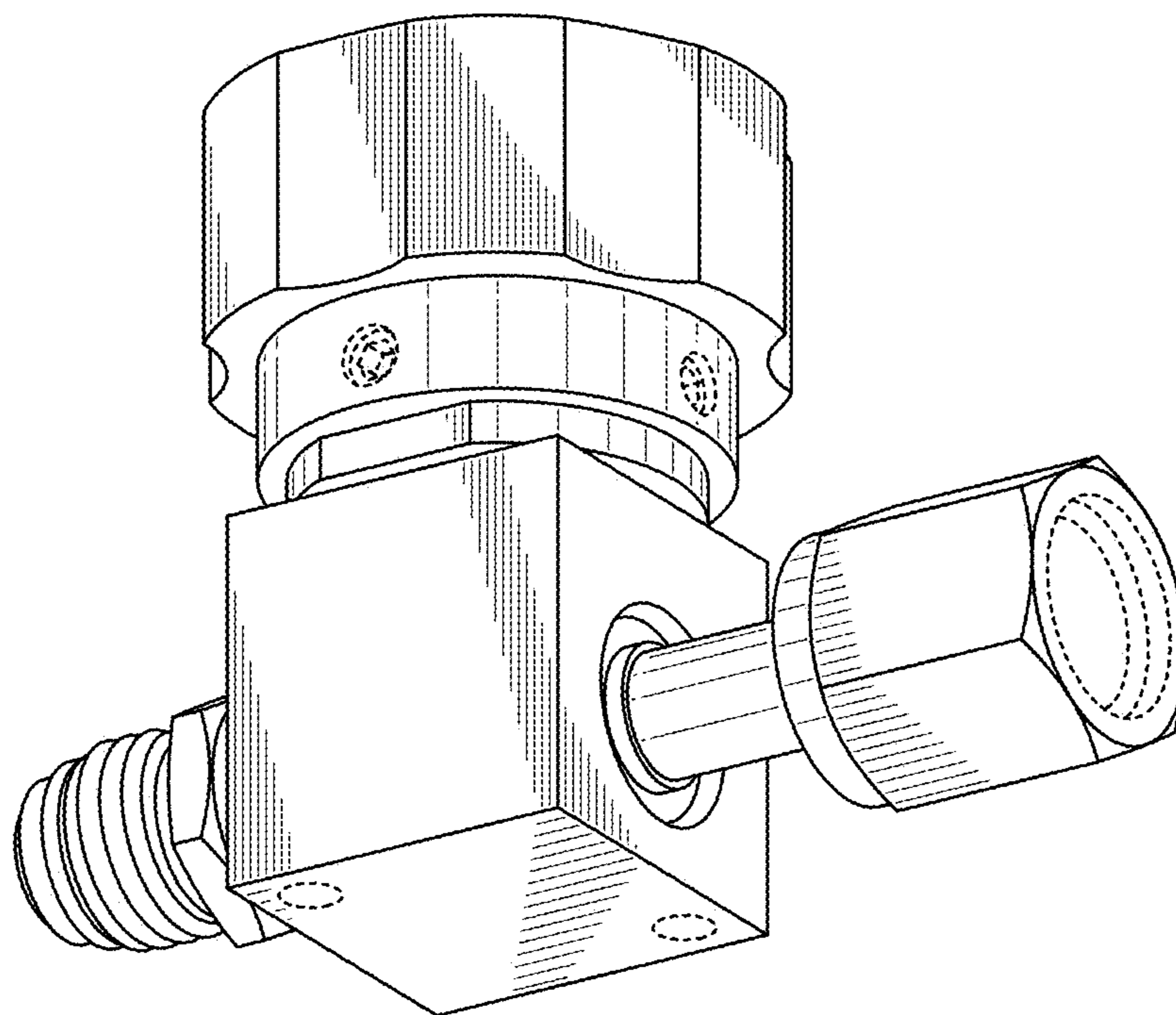


FIG. 3

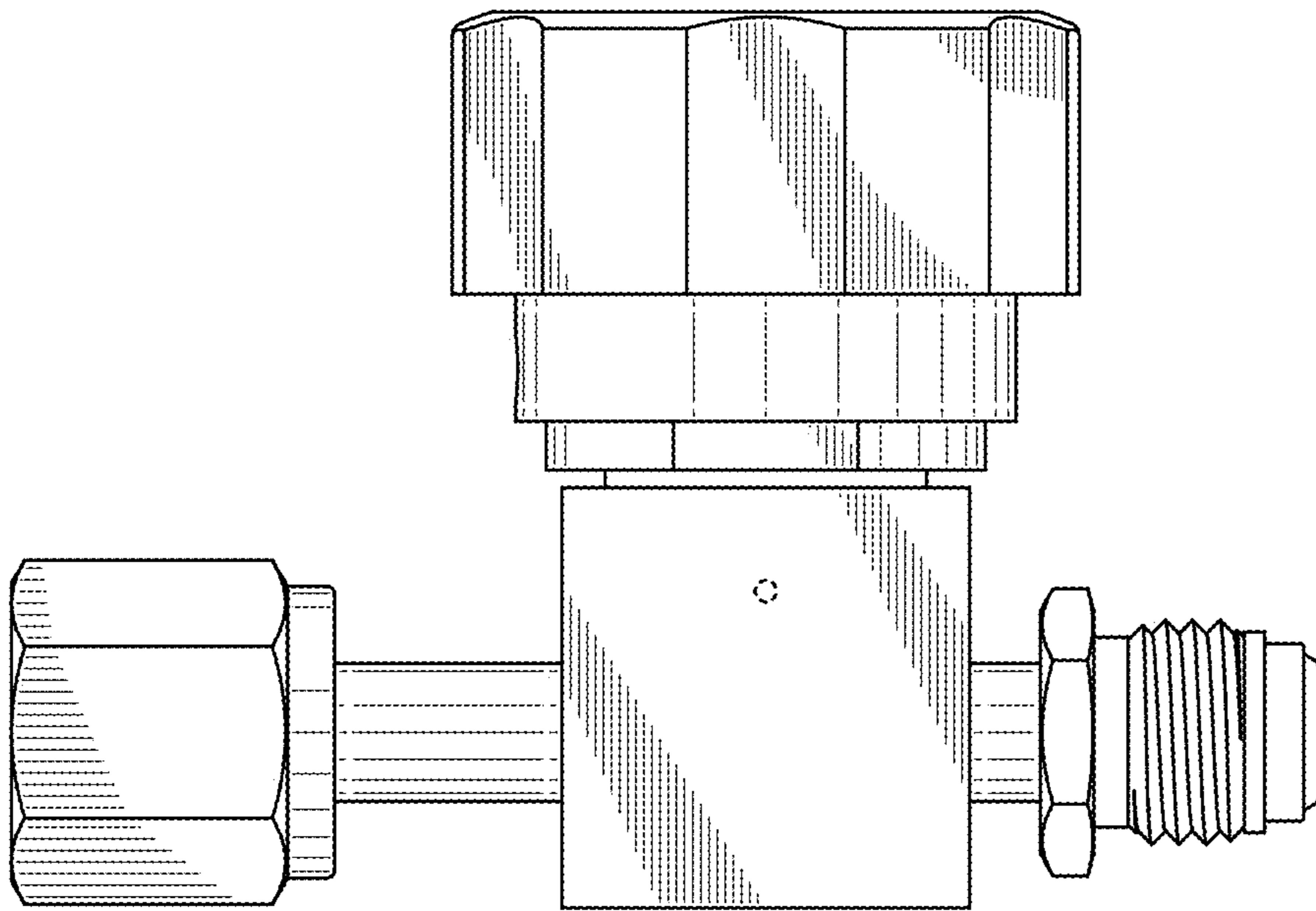


FIG. 4

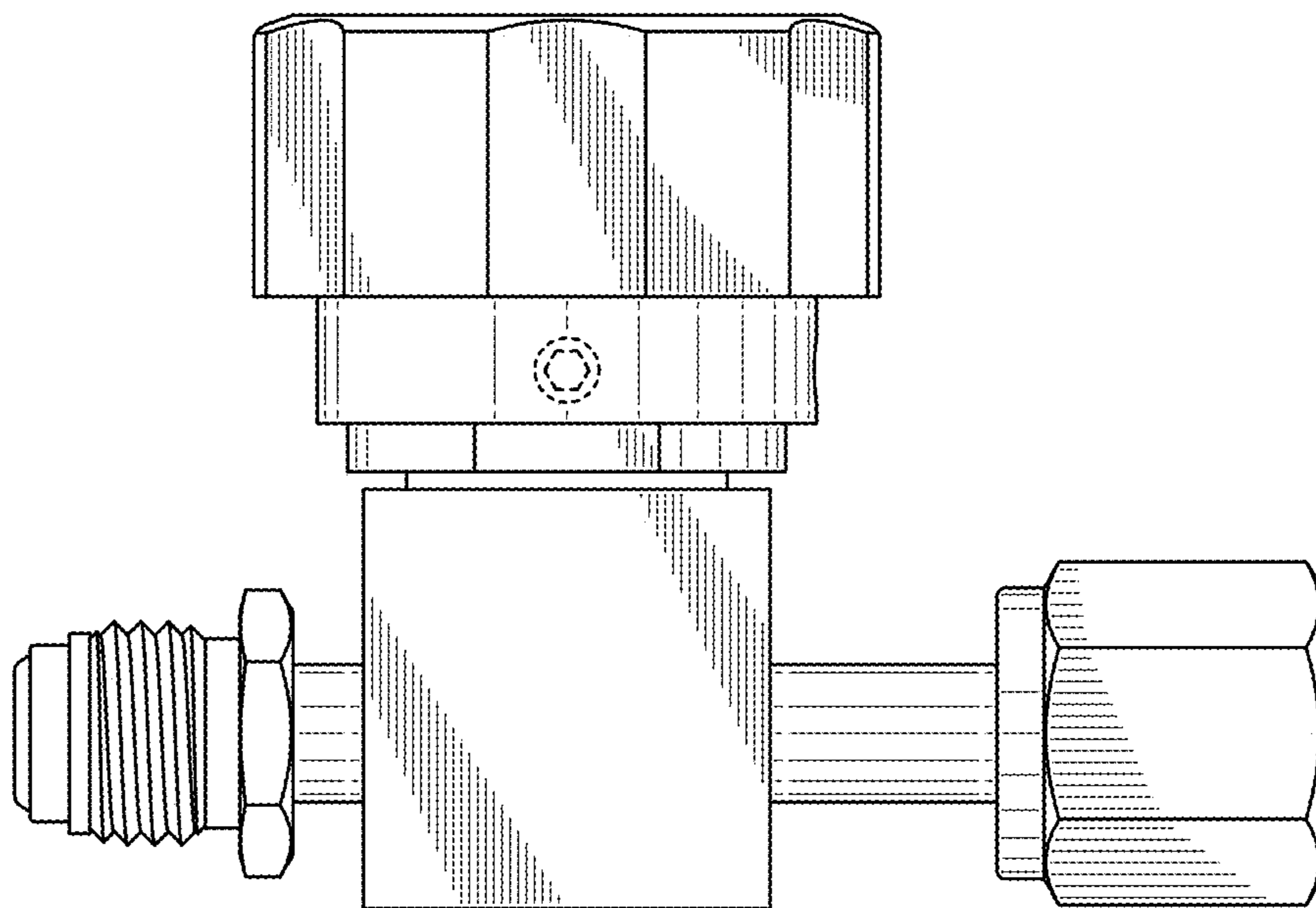


FIG. 5

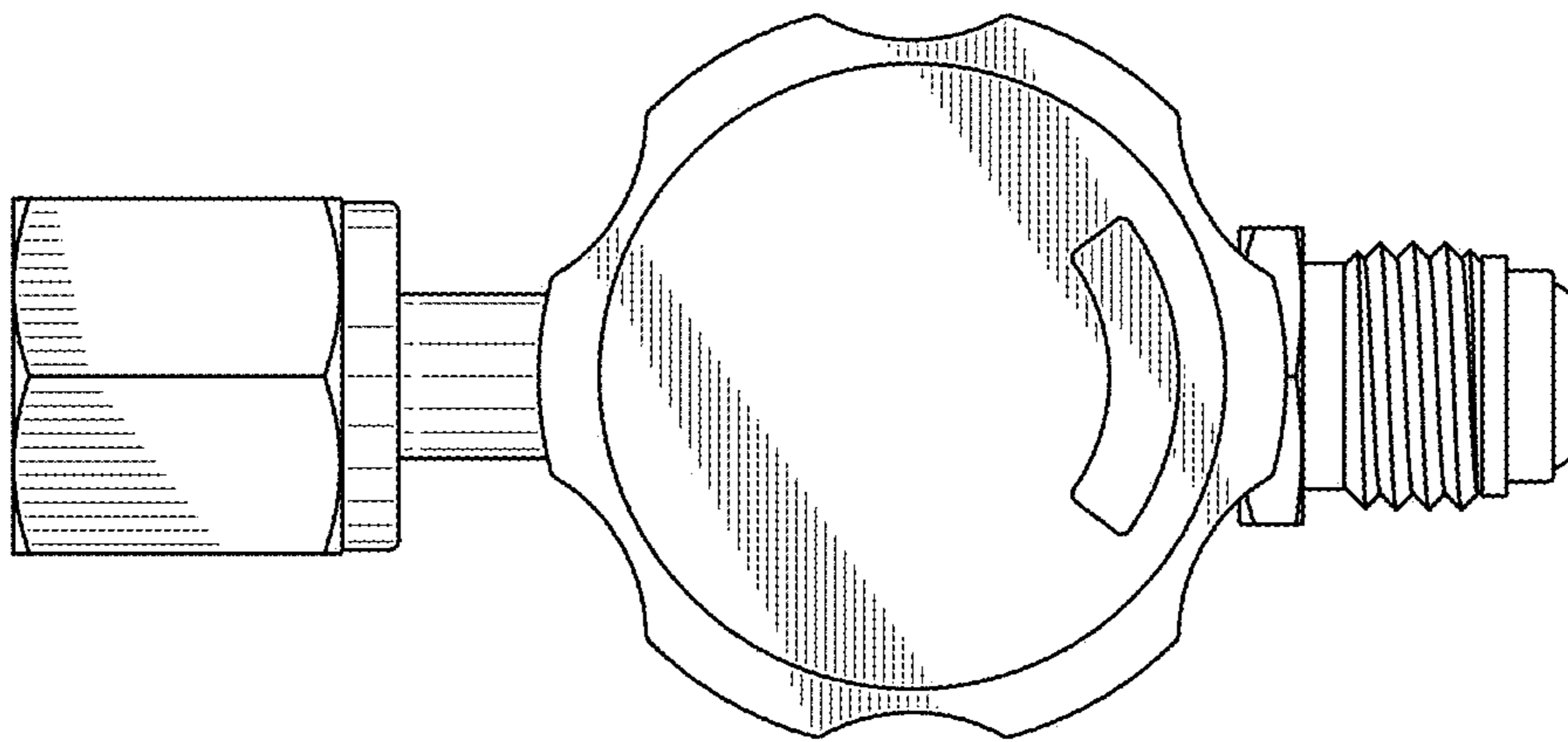


FIG. 6

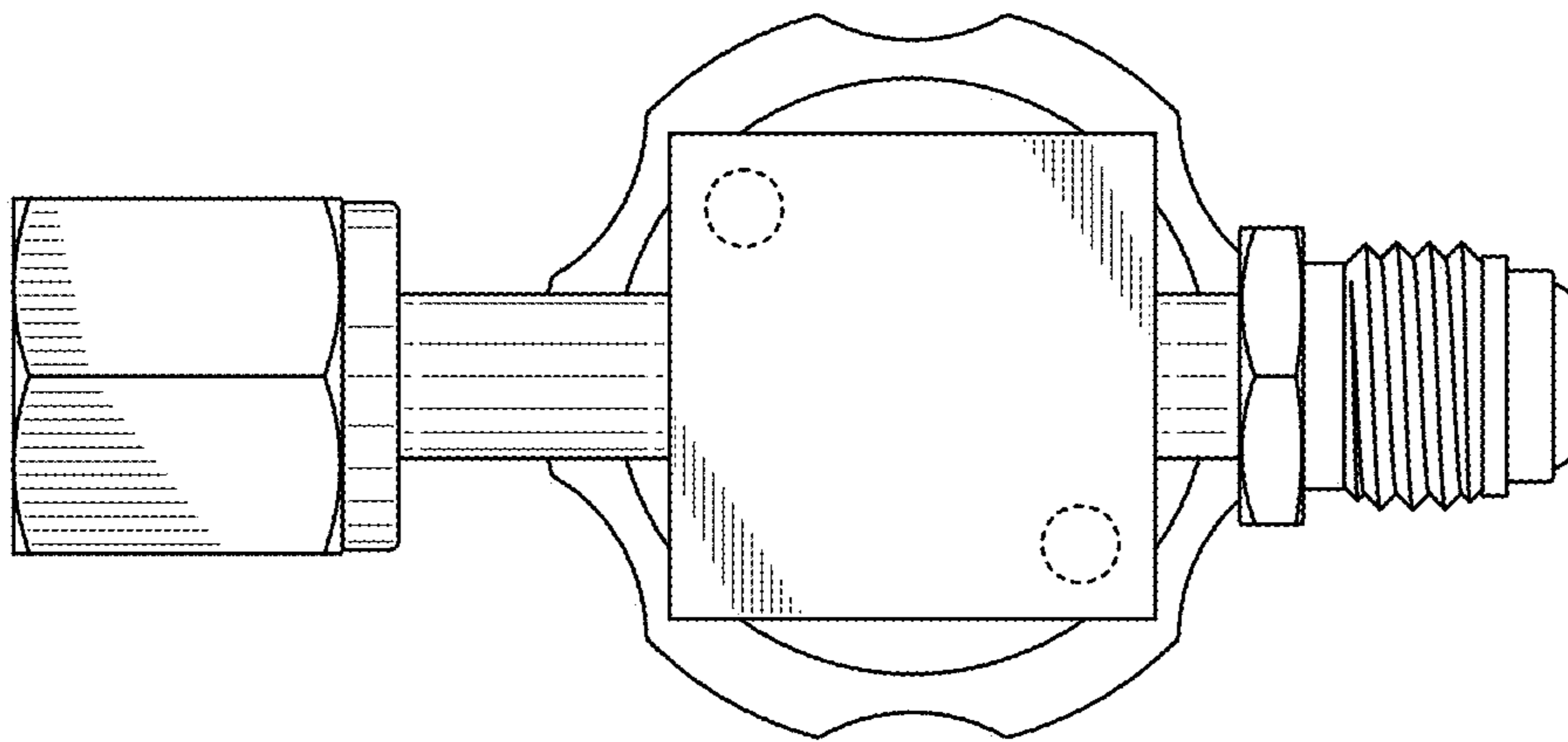


FIG. 7

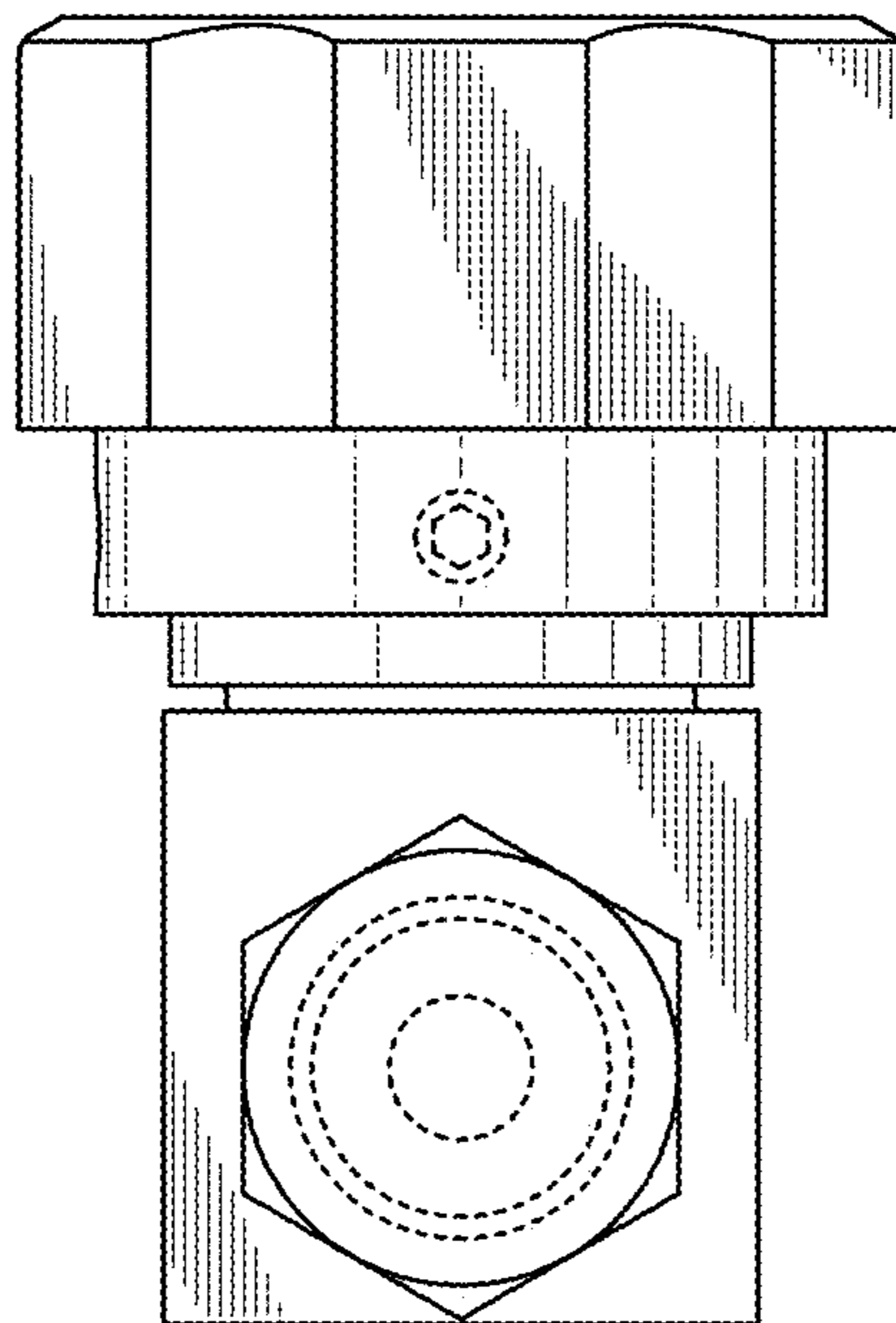


FIG. 8

