

US00D897498S

(12) **United States Design Patent**
Shinozaki et al.

(10) **Patent No.:** **US D897,498 S**

(45) **Date of Patent:** **** Sep. 29, 2020**

(54) **CONTROL VALVE**

(71) Applicant: **SMC CORPORATION**, Tokyo (JP)

(72) Inventors: **Kenji Shinozaki**, Koshigaya (JP);
Kenji Moriyama, Tsukubamirai (JP);
Tadaaki Saka, Kashiwa (JP)

(73) Assignee: **SMC CORPORATION**, Tokyo (JP)

(**) Term: **15 Years**

(21) Appl. No.: **29/637,745**

(22) Filed: **Feb. 21, 2018**

(30) **Foreign Application Priority Data**

Sep. 8, 2017 (CN) 2017 3 0423995

(51) **LOC (12) Cl.** **23-01**

(52) **U.S. Cl.**
USPC **D23/245**

(58) **Field of Classification Search**

USPC D23/233-237, 244-249, 252, 262-264;
137/625.4, 636.3, 636.2, 454.6, 14, 531,
137/315.18, 533.11; 251/285, 314,
251/315.12

CPC F16K 7/17; F16K 11/0876; F16K 11/0782;
F16K 11/0716

See application file for complete search history.

(56) **References Cited**

U.S. PATENT DOCUMENTS

D609,306 S * 2/2010 Moriyama D23/233
D609,307 S * 2/2010 Moriyama D23/233
D857,172 S * 8/2019 Shinozaki D23/245
D857,851 S * 8/2019 Shinozaki D23/245

D857,852 S * 8/2019 Shinozaki D23/245
D857,853 S * 8/2019 Shinozaki D23/245
D858,713 S * 9/2019 Shinozaki D23/245
D871,551 S * 12/2019 Shinozaki D23/245
D872,236 S * 1/2020 Shinozaki D23/245

FOREIGN PATENT DOCUMENTS

CN 301264916 S 6/2010
CN 301321076 S 8/2010
CN 301353224 S 9/2010
CN 303267447 S 7/2015
JP 1209708 S 6/2004
JP 1464628 S 3/2013

* cited by examiner

Primary Examiner — Gino Colan

(74) *Attorney, Agent, or Firm* — Birch, Stewart, Kolasch & Birch, LLP

(57) **CLAIM**

The ornamental design for a control valve, as shown and described.

DESCRIPTION

FIG. 1 is a front, top and right side perspective view of a control valve showing our new design;

FIG. 2 is a rear, bottom and left side perspective view thereof;

FIG. 3 is a front view thereof;

FIG. 4 is a rear view thereof;

FIG. 5 is a top plan view thereof;

FIG. 6 is a bottom plan view thereof;

FIG. 7 is a left side view thereof; and,

FIG. 8 is a right side view thereof.

The broken lines depict portions of the control valve that form no part of the claimed design.

1 Claim, 8 Drawing Sheets

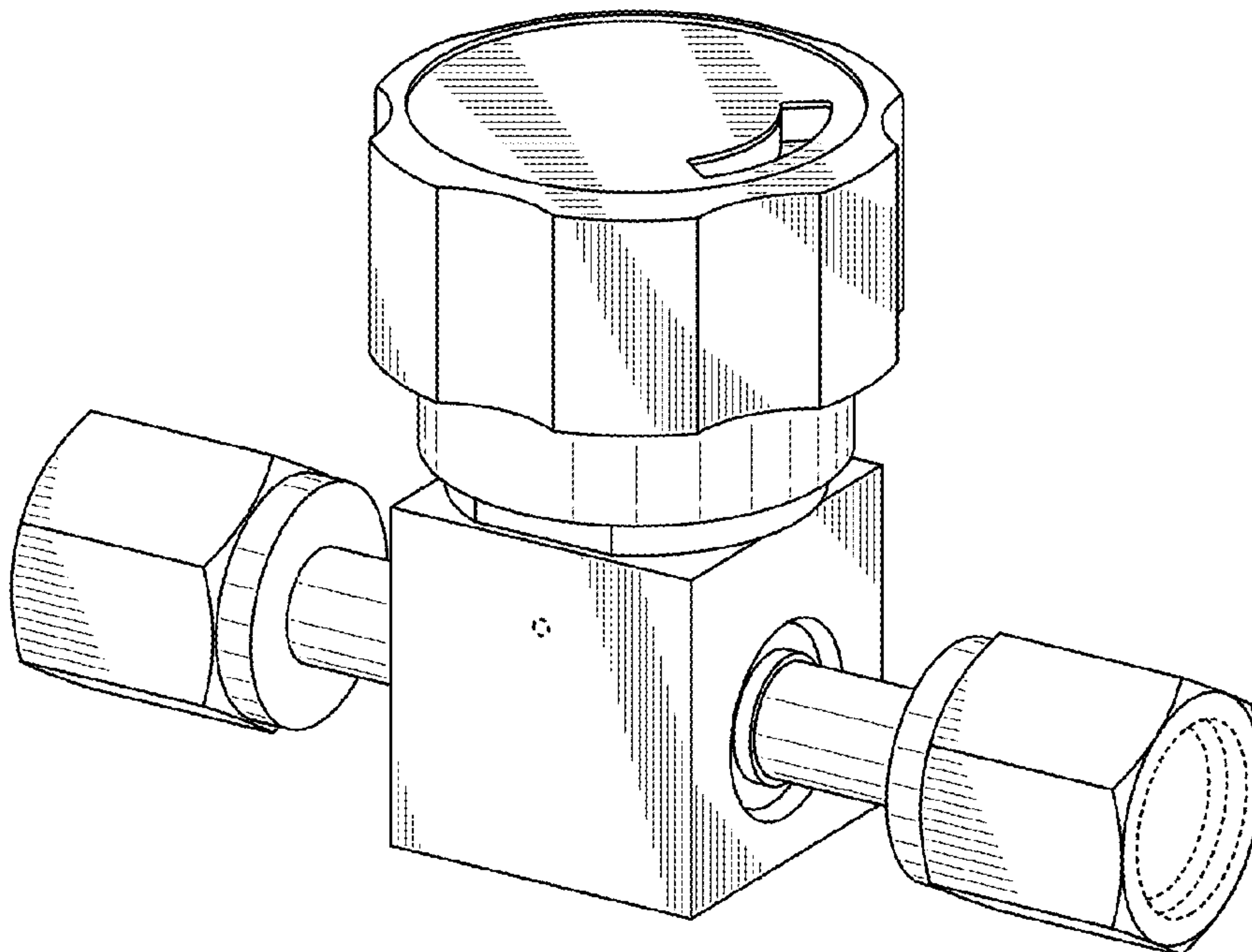


FIG. 1

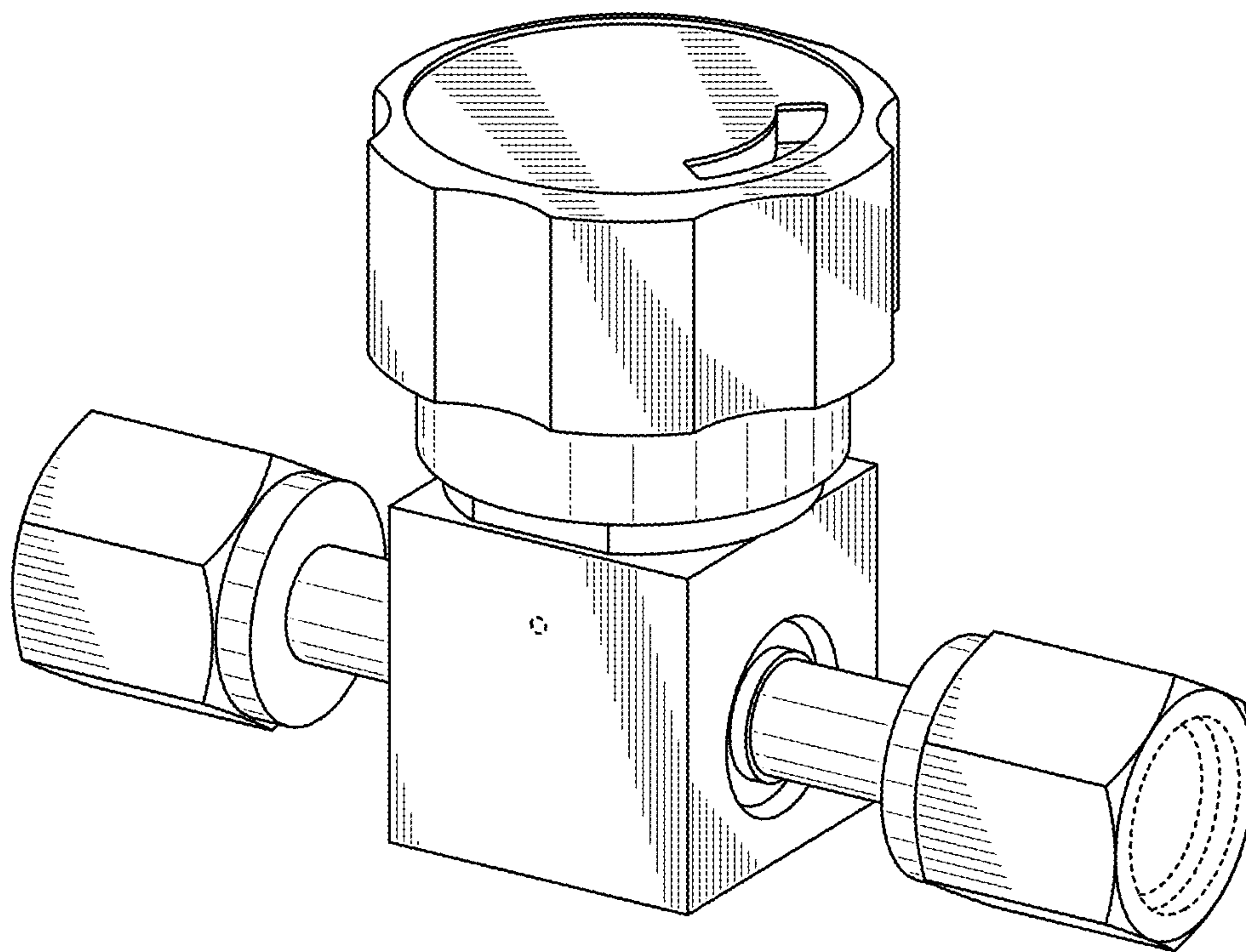


FIG. 2

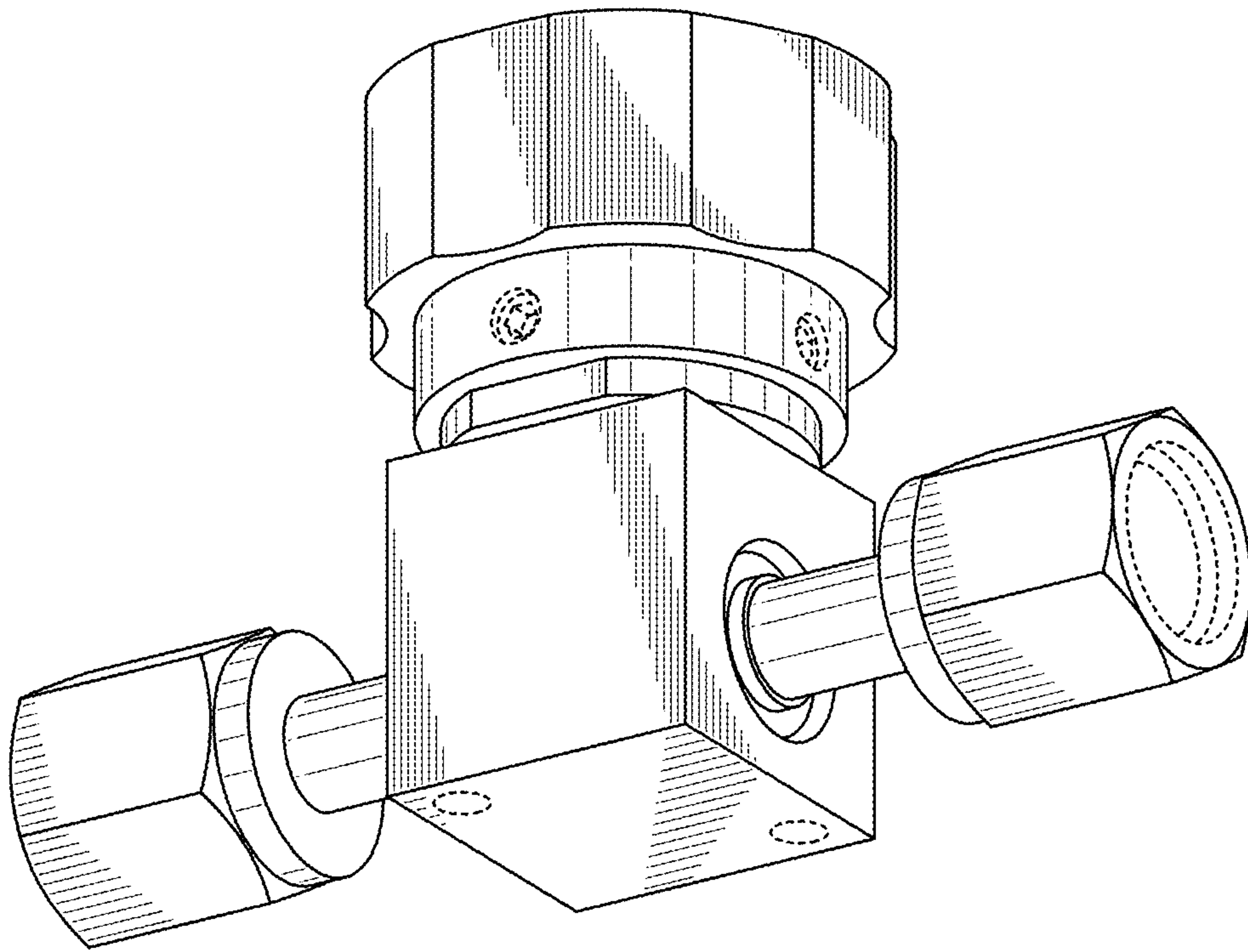


FIG. 3

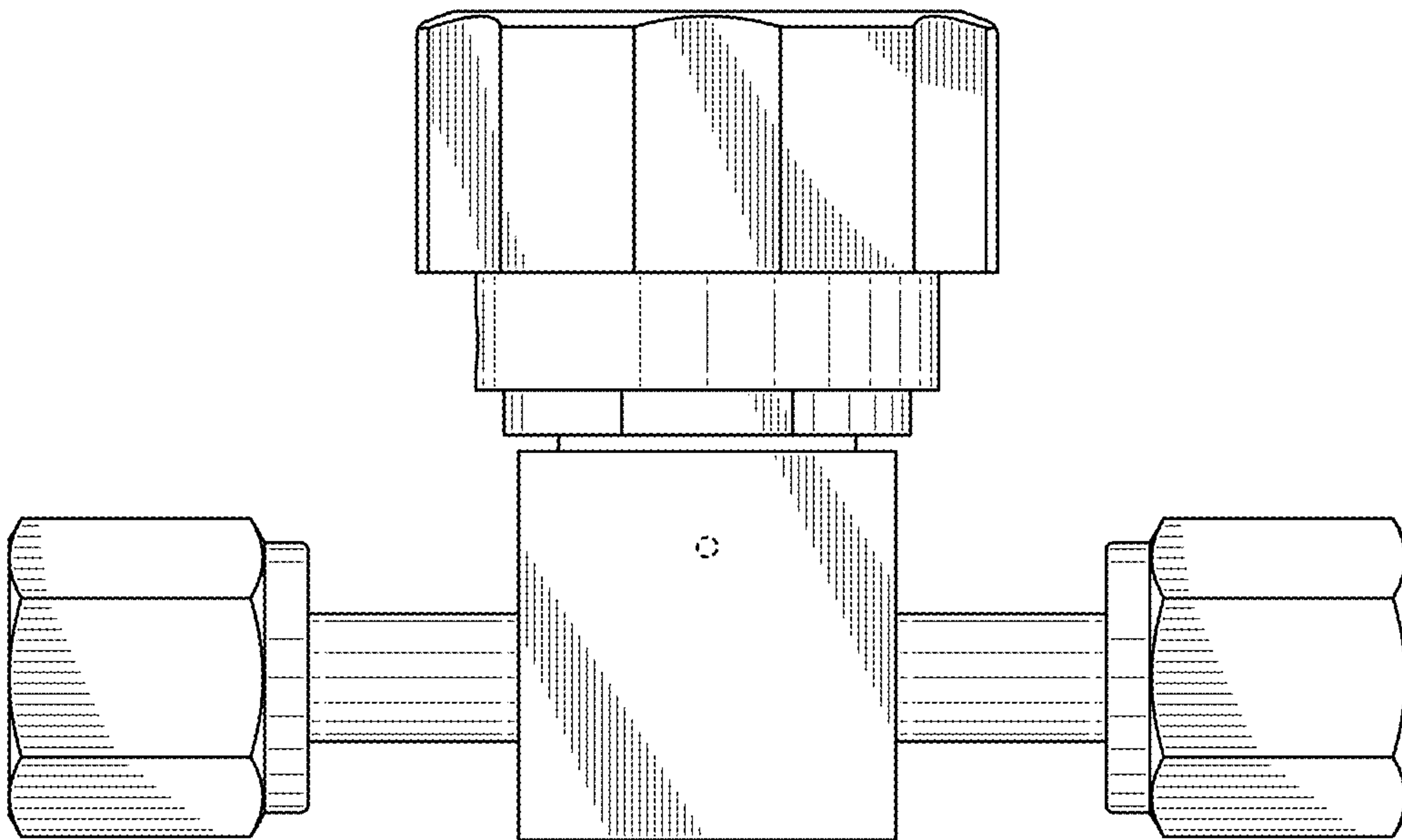


FIG. 4

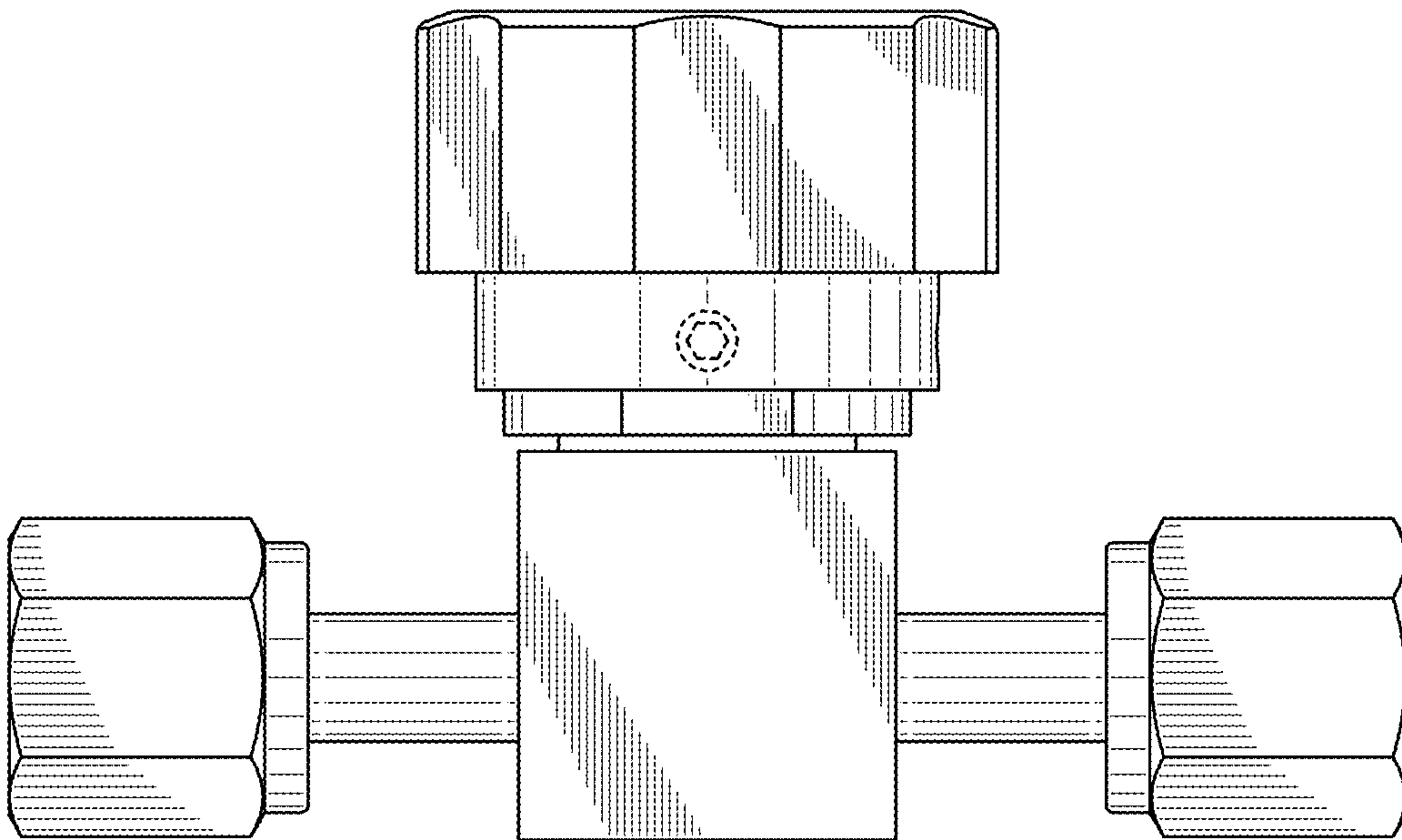


FIG. 5

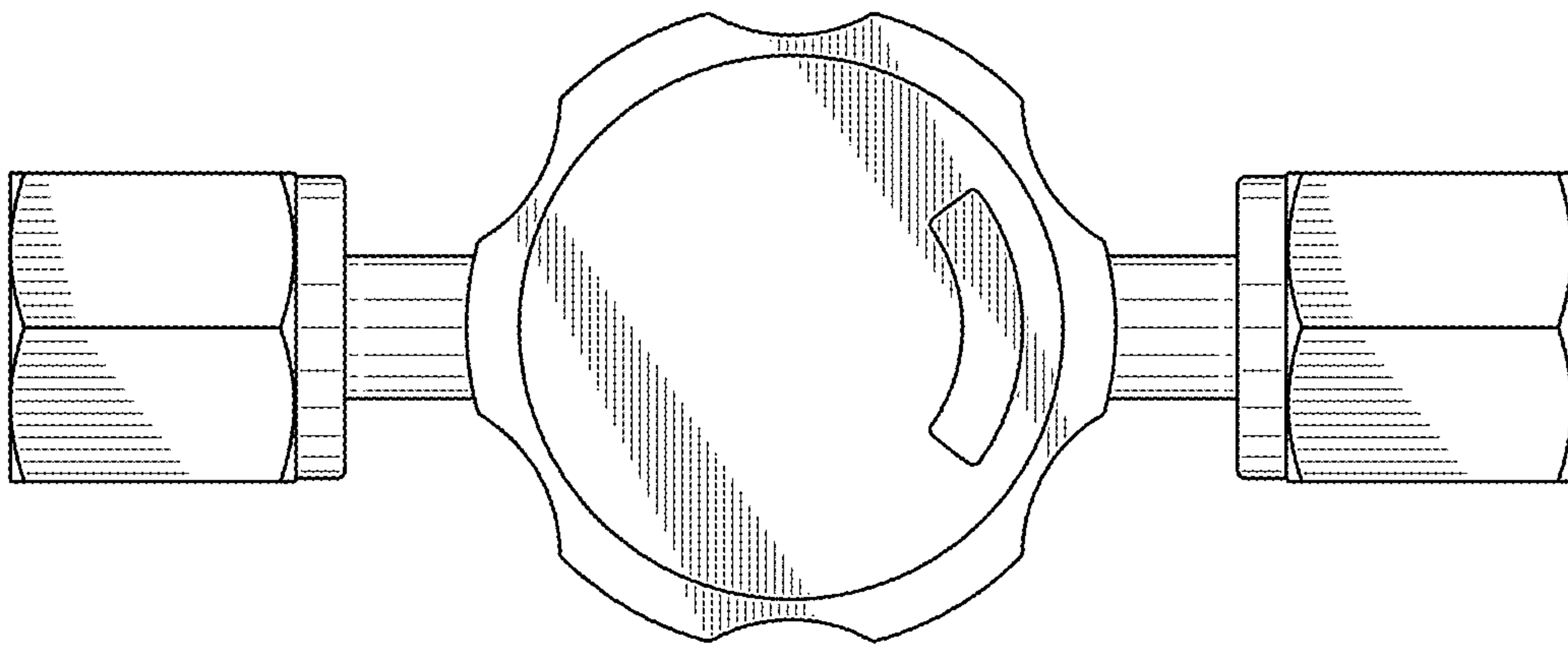


FIG. 6

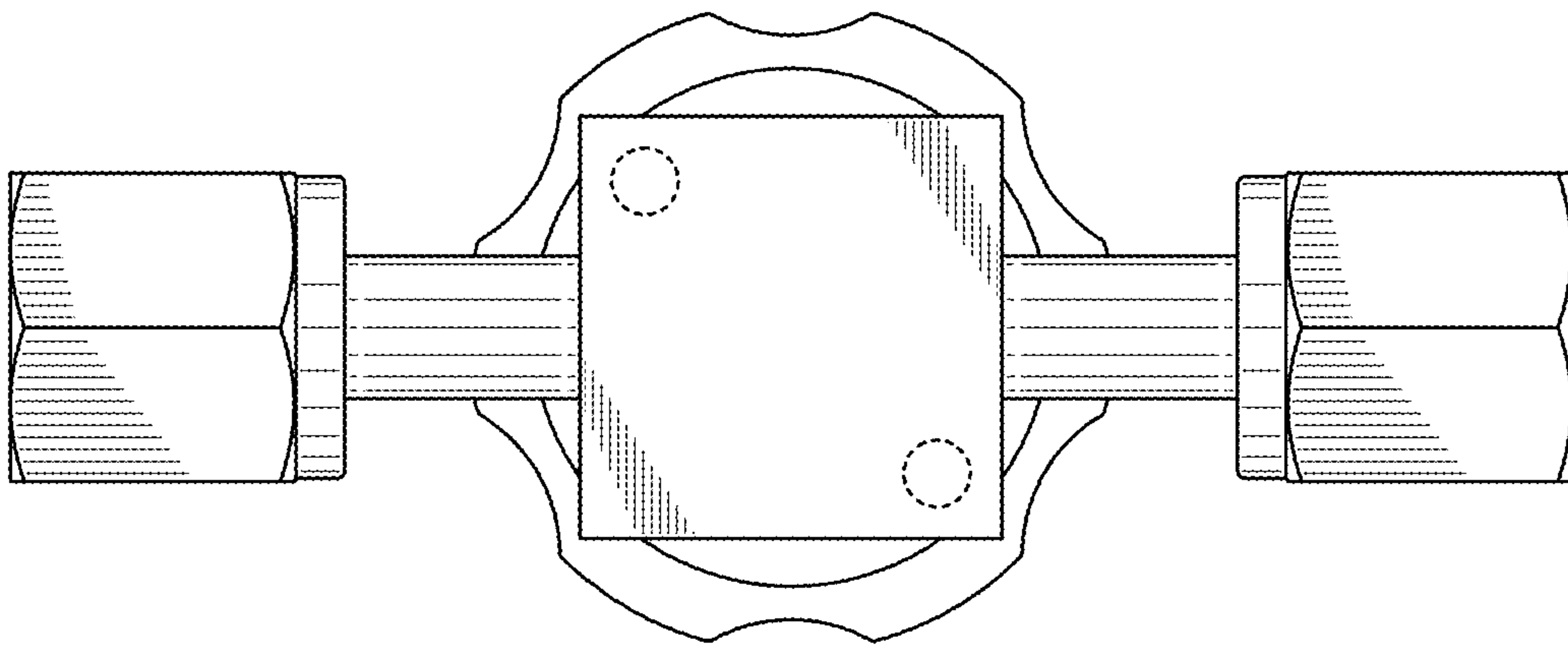


FIG. 7

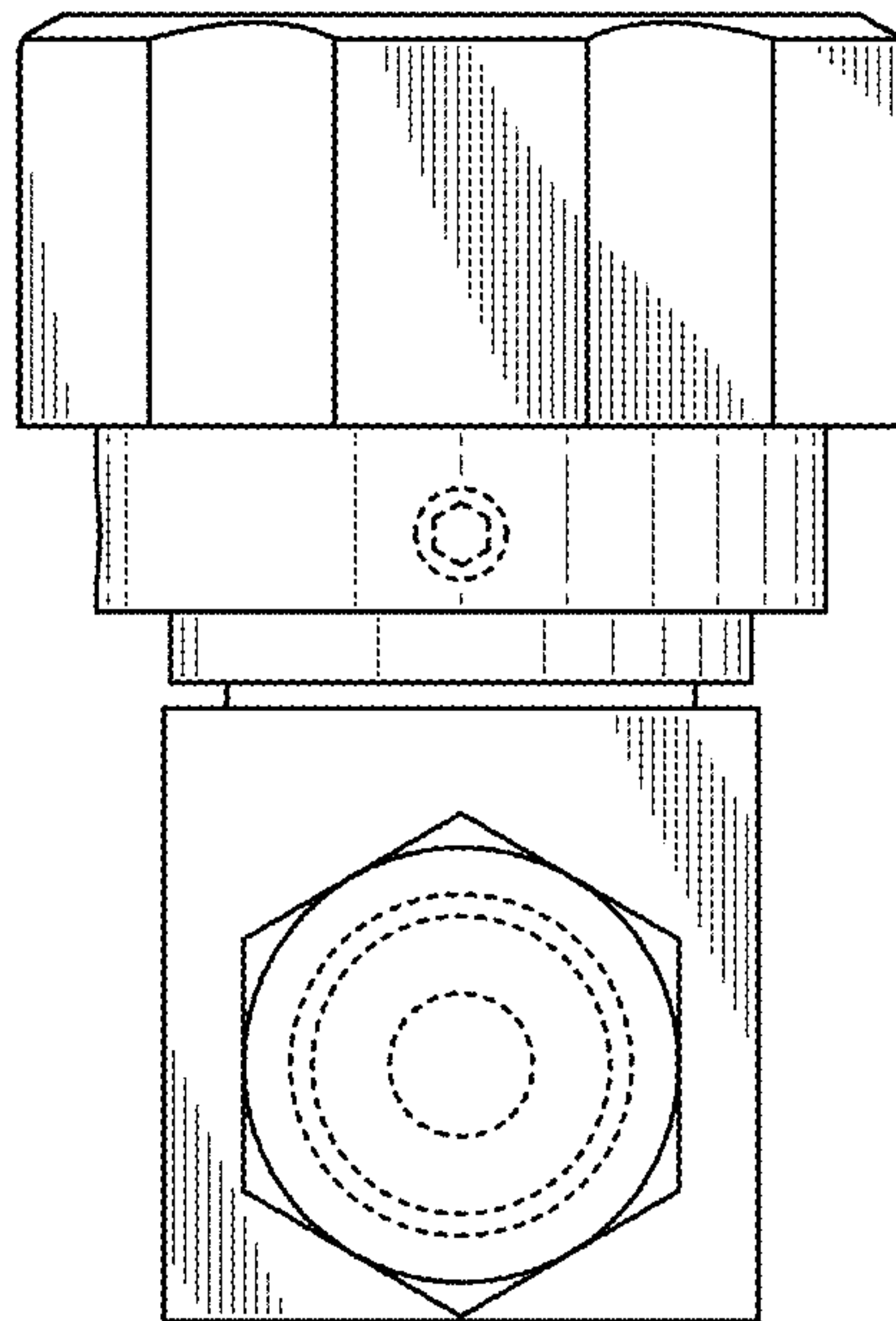


FIG. 8

