



US00D897497S

(12) **United States Design Patent**
Williams et al.

(10) **Patent No.:** **US D897,497 S**

(45) **Date of Patent:** **** Sep. 29, 2020**

- (54) **ACTUATOR ASSEMBLY**
- (71) Applicant: **TRI-TEC MANUFACTURING, LLC**,
Kent, WA (US)
- (72) Inventors: **Michael Douglas Williams**, Kent, WA
(US); **Matt Todd Buss**, Kent, WA (US)
- (73) Assignee: **TRI-TEC MANUFACTURING, LLC**,
Kent, WA (US)
- (**) Term: **15 Years**
- (21) Appl. No.: **29/682,796**
- (22) Filed: **Mar. 7, 2019**
- (51) **LOC (12) Cl.** **23-01**
- (52) **U.S. Cl.**
USPC **D23/233; D13/158**
- (58) **Field of Classification Search**
USPC D13/158, 166, 173, 199; D10/85;
D15/199; D23/233-237, 244-249
CPC F16K 37/0075; F16K 31/055; F01D 17/10
See application file for complete search history.

(56) **References Cited**

U.S. PATENT DOCUMENTS

- 4,261,224 A * 4/1981 Sulzer F16D 41/088
192/223.2
- D350,182 S * 8/1994 Barton D23/248
- D521,599 S * 5/2006 Bates D23/233
- D571,290 S * 6/2008 Gebhart D13/112

- 8,342,478 B1 * 1/2013 Cordray F16K 37/0075
137/554
- 8,382,621 B2 * 2/2013 Chen F16K 31/05
475/4
- D686,298 S * 7/2013 Ching D23/233
- D726,876 S * 4/2015 Trent D23/233
- D837,165 S * 1/2019 Gagne D13/158
- 2014/0190263 A1* 7/2014 Anderson G01N 29/14
73/587

* cited by examiner

Primary Examiner — Selina Sikder

(74) *Attorney, Agent, or Firm* — Seed IP Law Group LLP

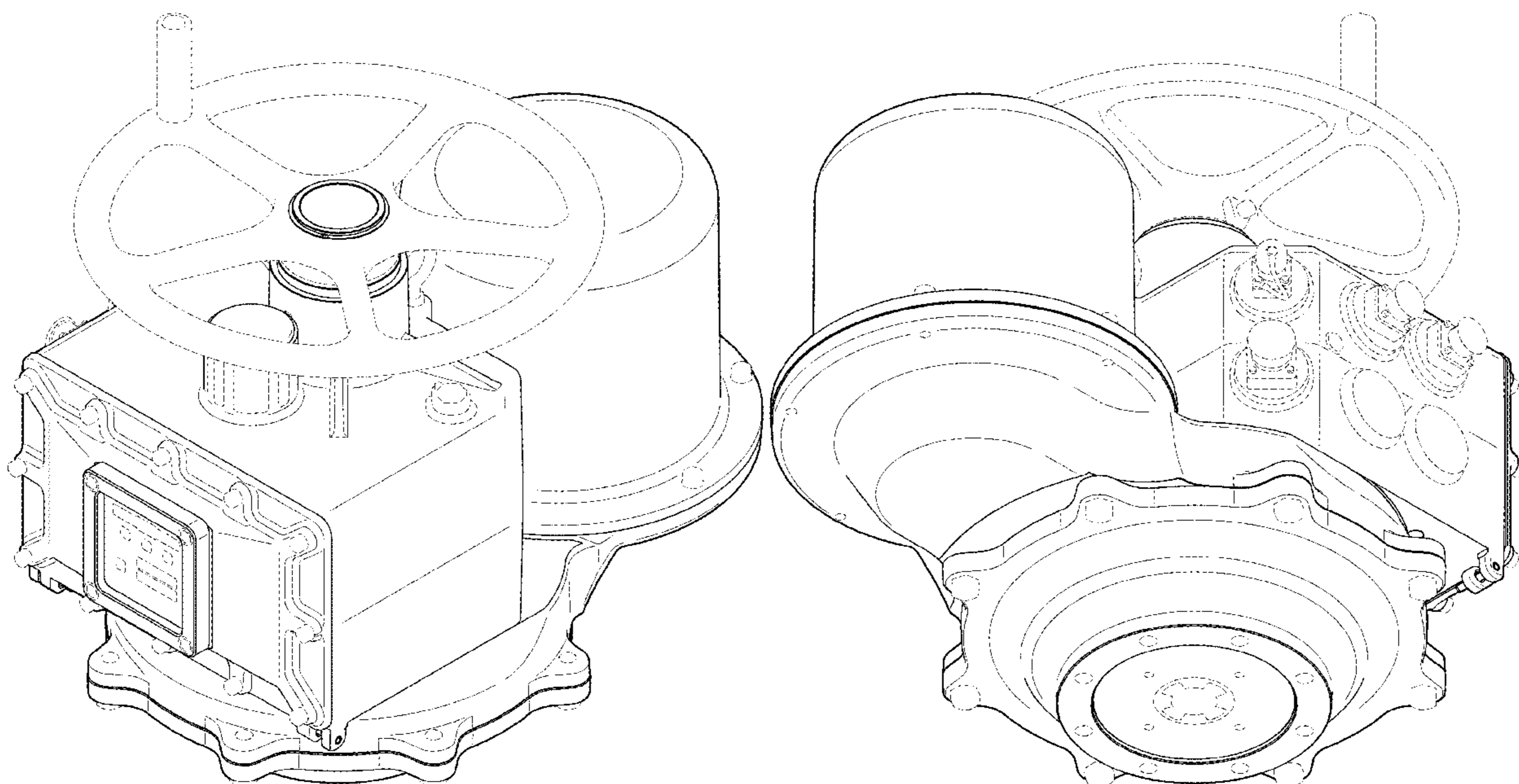
(57) **CLAIM**

The ornamental design for an actuator assembly, as shown and described.

DESCRIPTION

FIG. 1 is a front perspective view of an actuator assembly showing our new design.
 FIG. 2 is a front perspective view thereof.
 FIG. 3 is a rear perspective view thereof.
 FIG. 4 is a front elevational view thereof.
 FIG. 5 is a right side elevational view thereof.
 FIG. 6 is a rear elevational view thereof.
 FIG. 7 is a left side elevational view thereof.
 FIG. 8 is a top plan view thereof; and,
 FIG. 9 is a bottom plan view thereof.
 In the drawings, the broken lines depict portions of the actuator assembly which form no part of the claim.

1 Claim, 9 Drawing Sheets



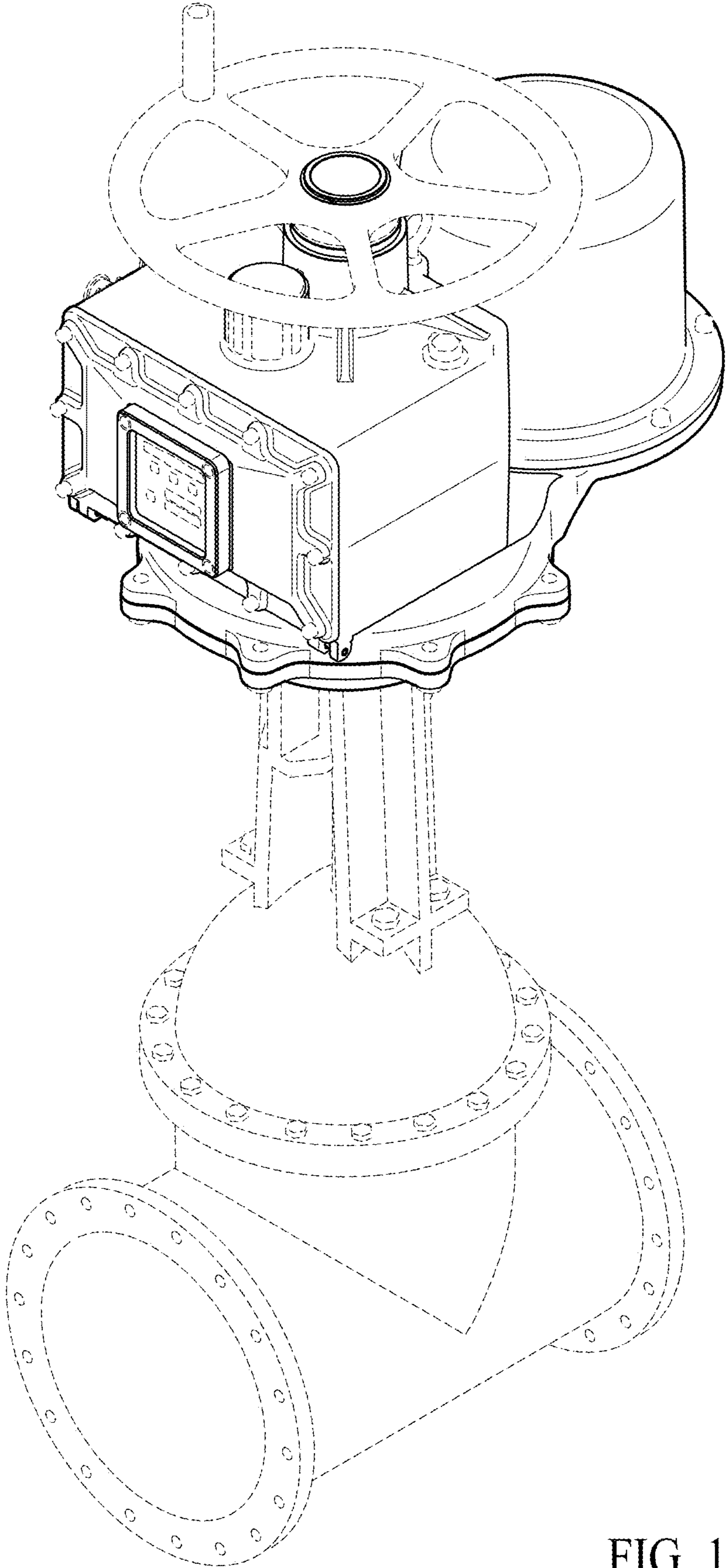


FIG. 1

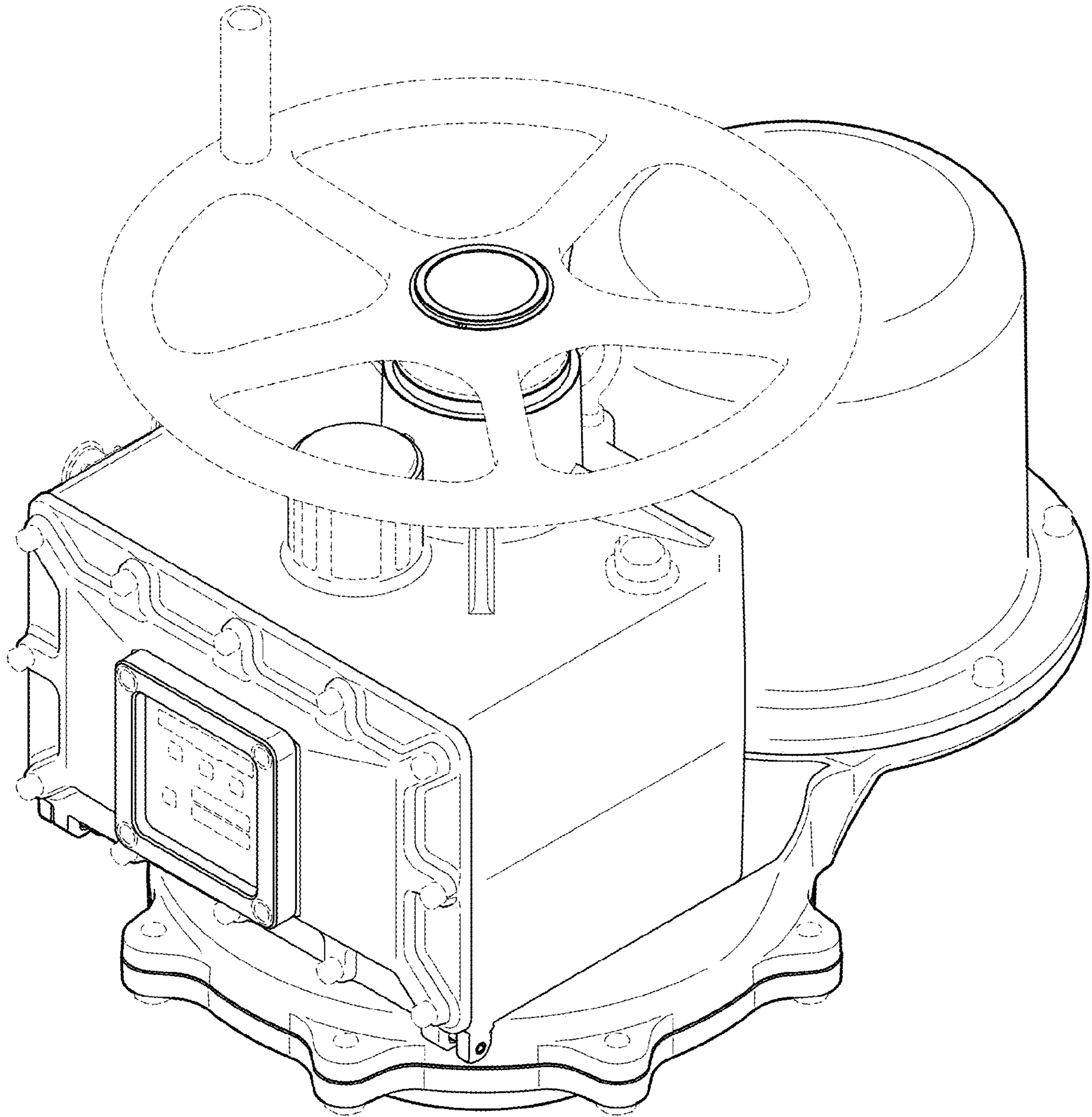


FIG. 2

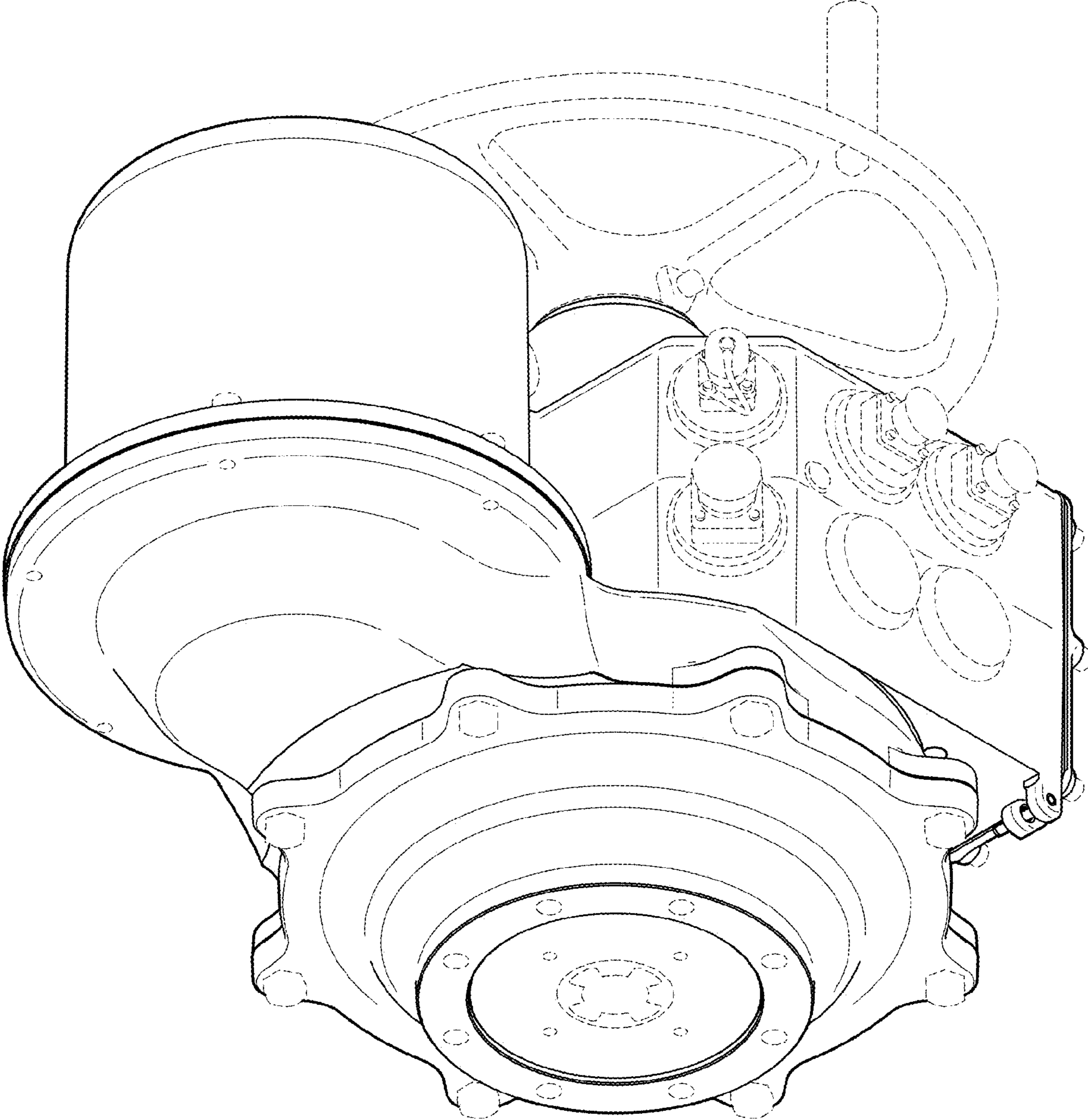


FIG. 3

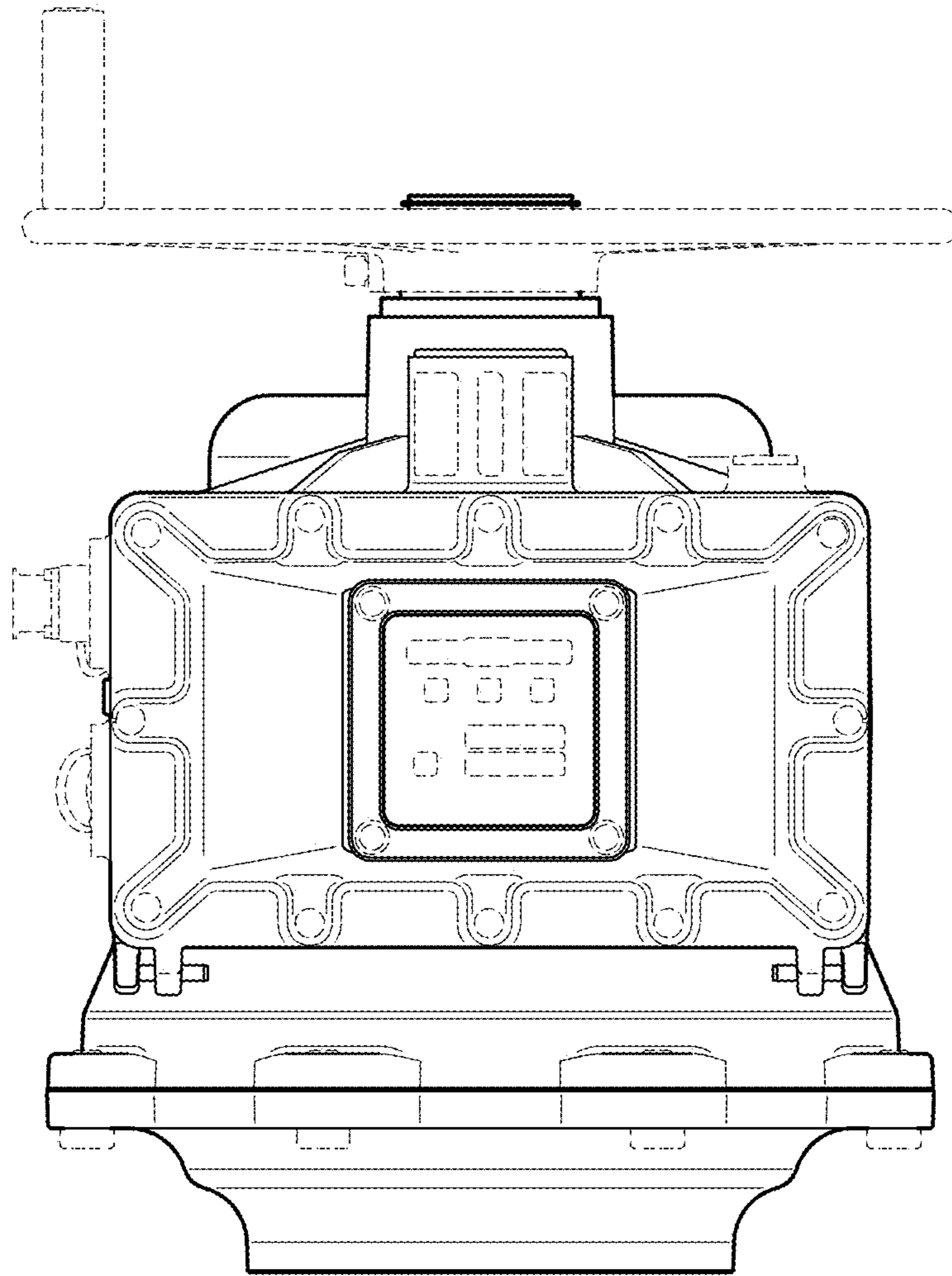


FIG. 4

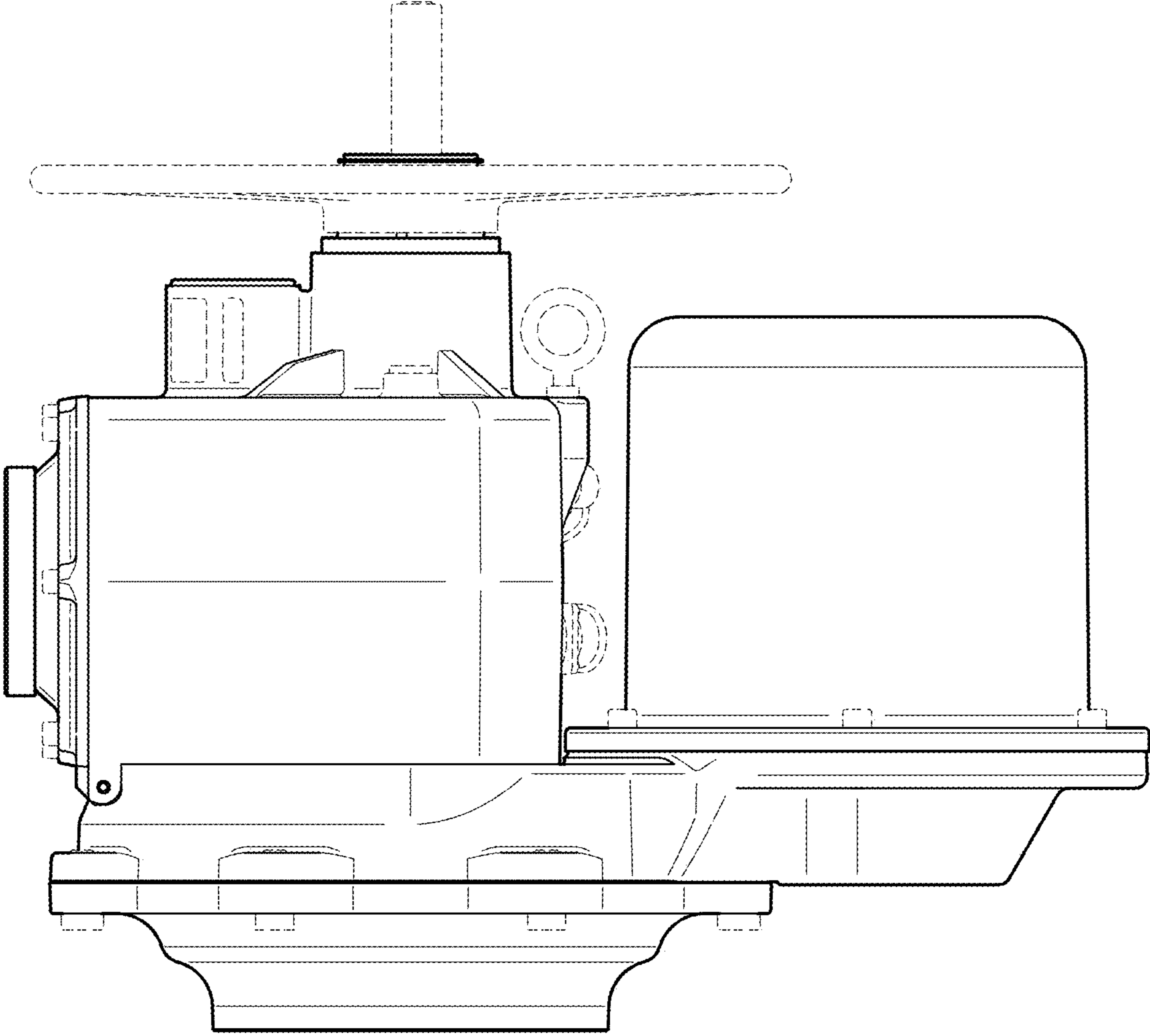


FIG. 5

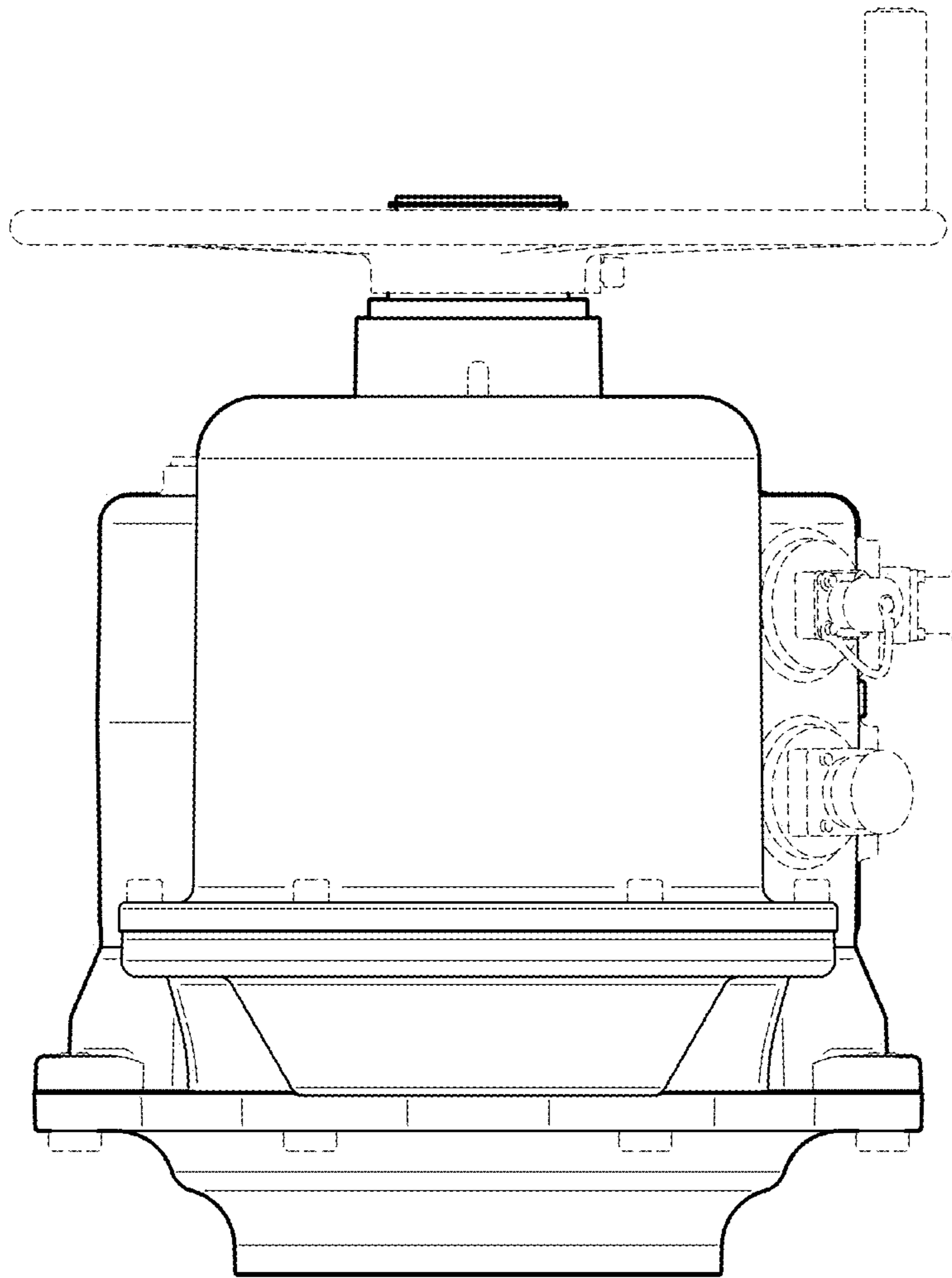


FIG. 6

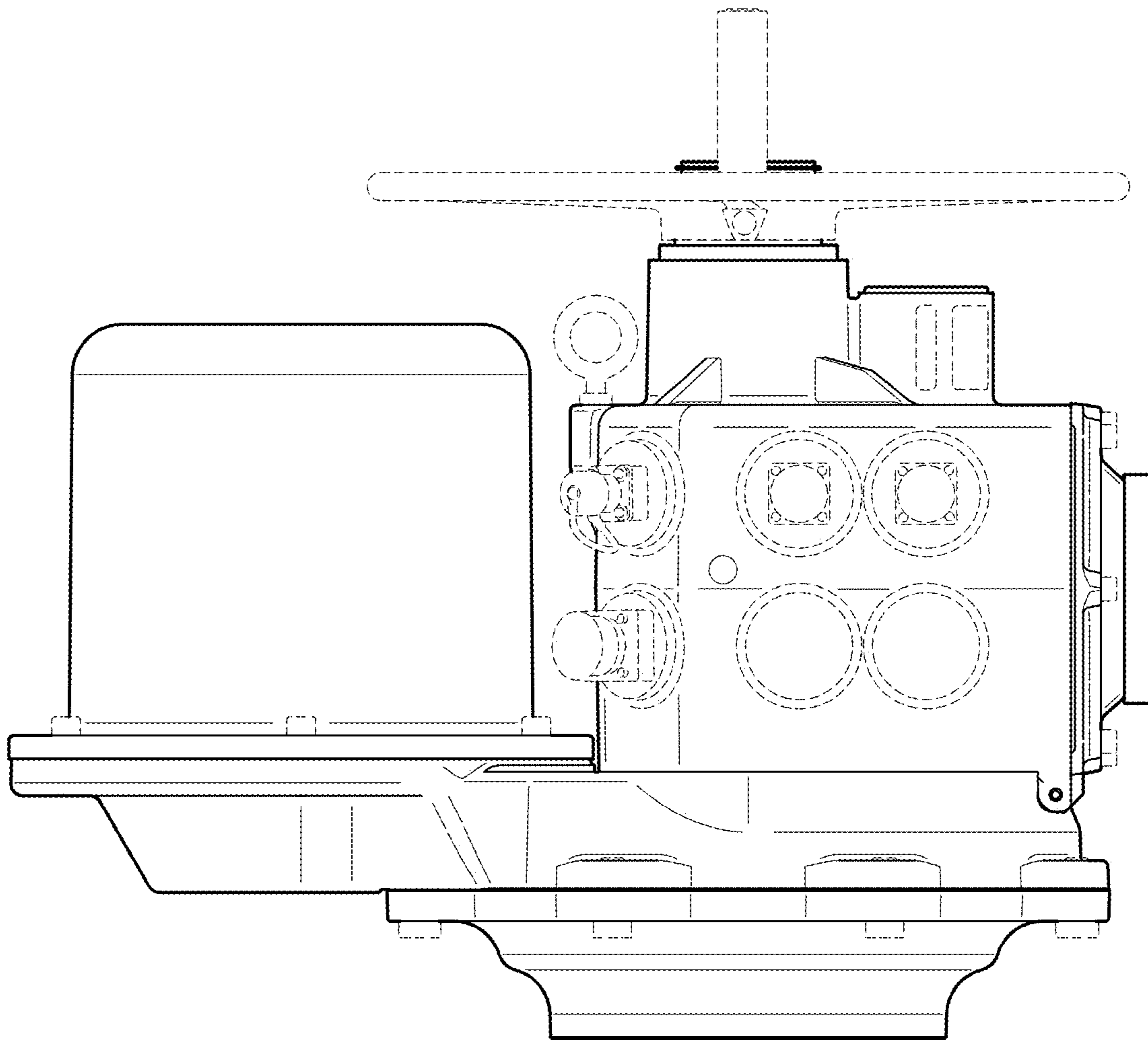


FIG. 7

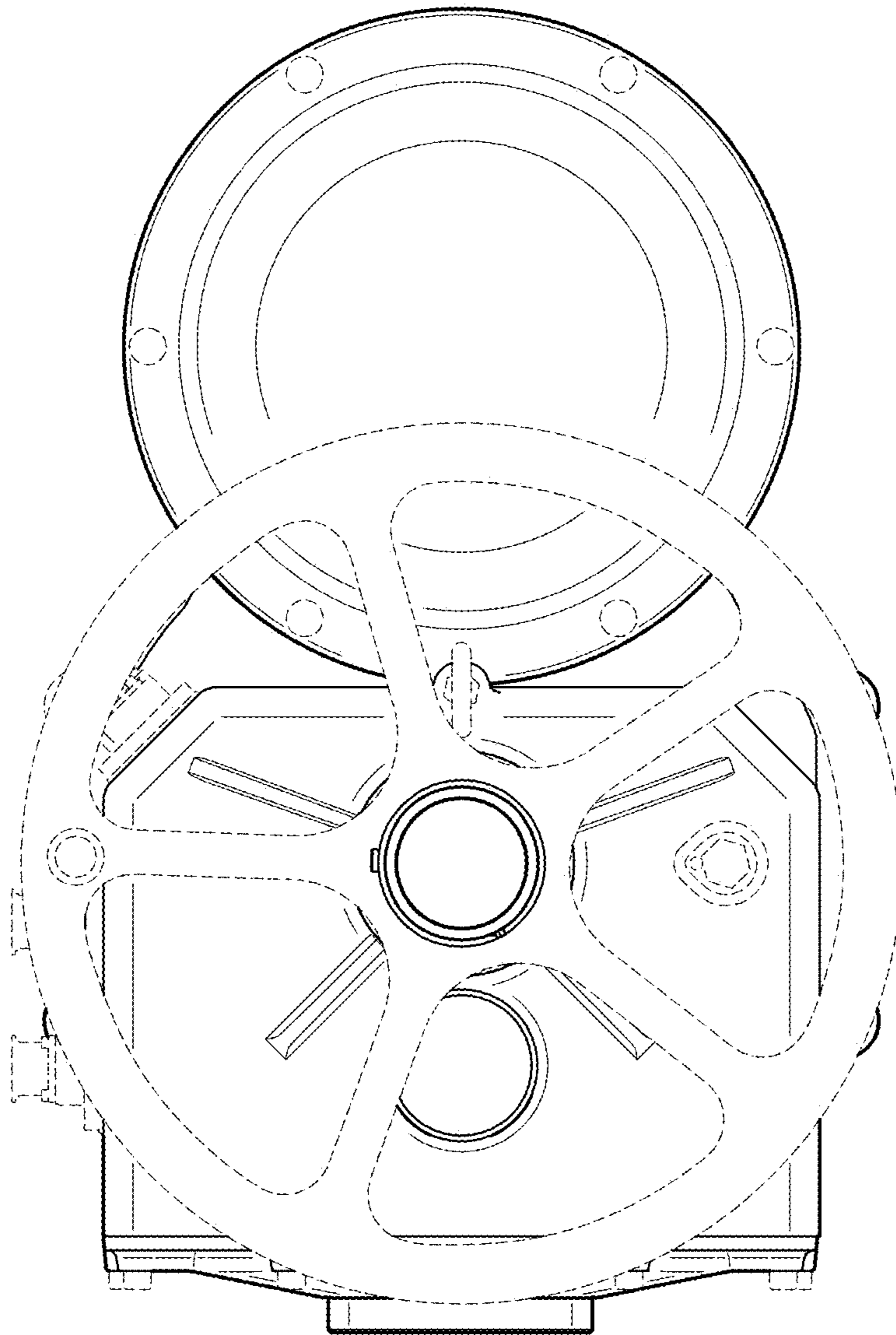


FIG. 8

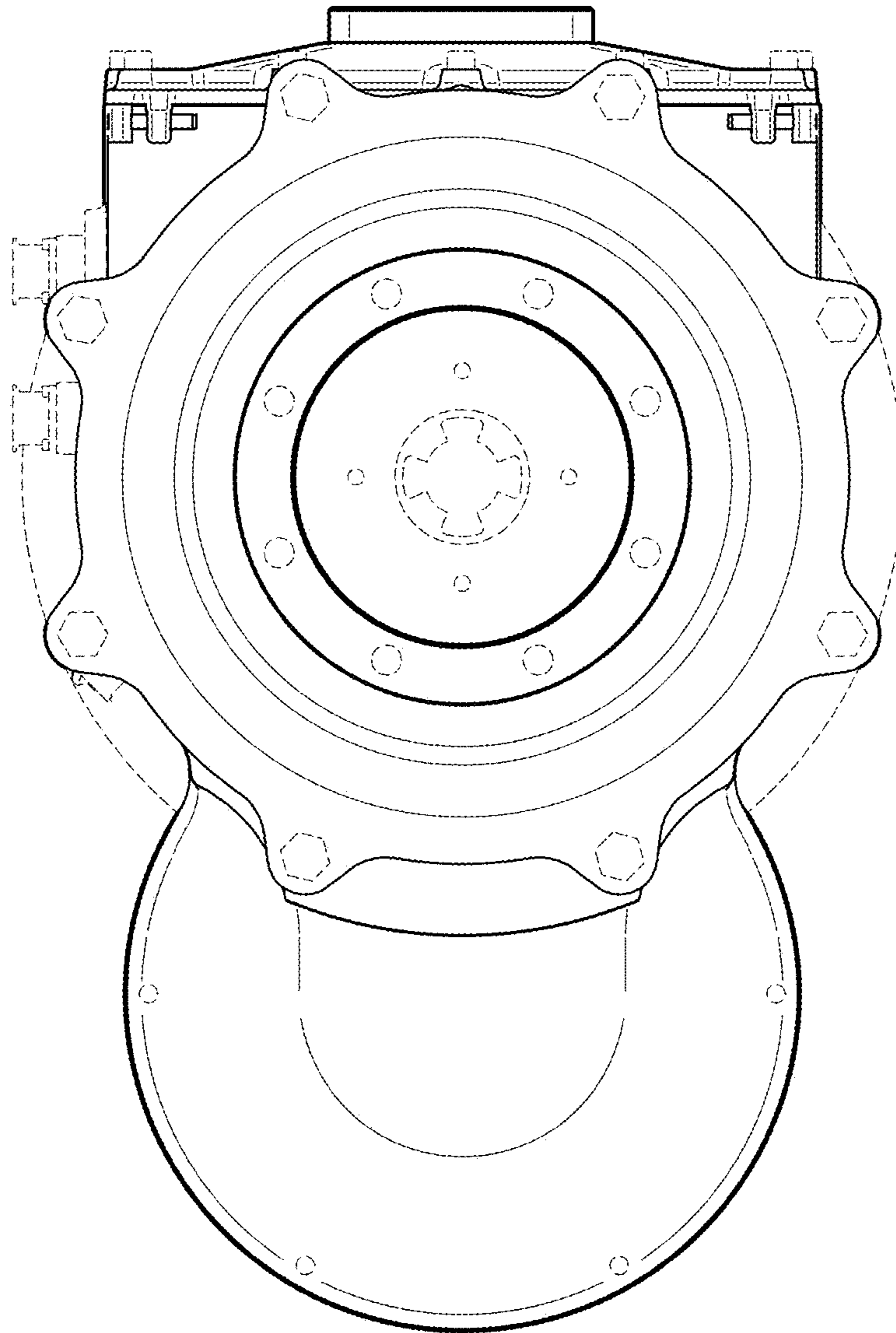


FIG. 9