



US00D897496S

(12) **United States Design Patent**  
**Yoshimura et al.**

(10) **Patent No.:** **US D897,496 S**

(45) **Date of Patent:** **\*\* Sep. 29, 2020**

(54) **ELECTROMAGNETIC VALVE**

D846,697 S \* 4/2019 Yoshimura ..... D23/233  
D857,163 S \* 8/2019 Yoshimura ..... D23/233  
D866,464 S \* 11/2019 Nakayama ..... D13/112

(71) Applicant: **SMC CORPORATION**, Chiyoda-ku  
(JP)

FOREIGN PATENT DOCUMENTS

(72) Inventors: **Shinichi Yoshimura**, Moriya (JP);  
**Masaru Yoshida**, Ushiku (JP); **Kenichi**  
**Matsumura**, Kashiwa (JP); **Yoichi**  
**Morodomi**, Moriya (JP)

CN 303441076 S 11/2015

OTHER PUBLICATIONS

(73) Assignee: **SMC CORPORATION**, Chiyoda-ku  
(JP)

Office Action dated Jan. 28, 2019 in Japanese Design Application No. 2018-017047, citing document AO therein, 6 pages (with English translation).

(\*\*) Term: **15 Years**

\* cited by examiner

(21) Appl. No.: **29/679,075**

*Primary Examiner* — Gino Colan  
(74) *Attorney, Agent, or Firm* — Oblon, McClelland,  
Maier & Neustadt, L.L.P.

(22) Filed: **Feb. 1, 2019**

(30) **Foreign Application Priority Data**

(57) **CLAIM**

The ornamental design for an electromagnetic valve, as shown and described.

Aug. 3, 2018 (JP) ..... 2018-017047

(51) **LOC (12) Cl.** ..... **23-01**

(52) **U.S. Cl.**  
USPC ..... **D23/233**

(58) **Field of Classification Search**  
USPC ..... D23/233, 235; 137/625.64, 554, 487.5,  
137/599; 251/129.15, 129.01, 129.09  
CPC .. F16K 31/0675; F16K 27/029; F16K 27/048;  
F16K 31/082; F16K 11/24; F02M  
63/0017; F02M 51/061; F02M 59/366  
See application file for complete search history.

**DESCRIPTION**

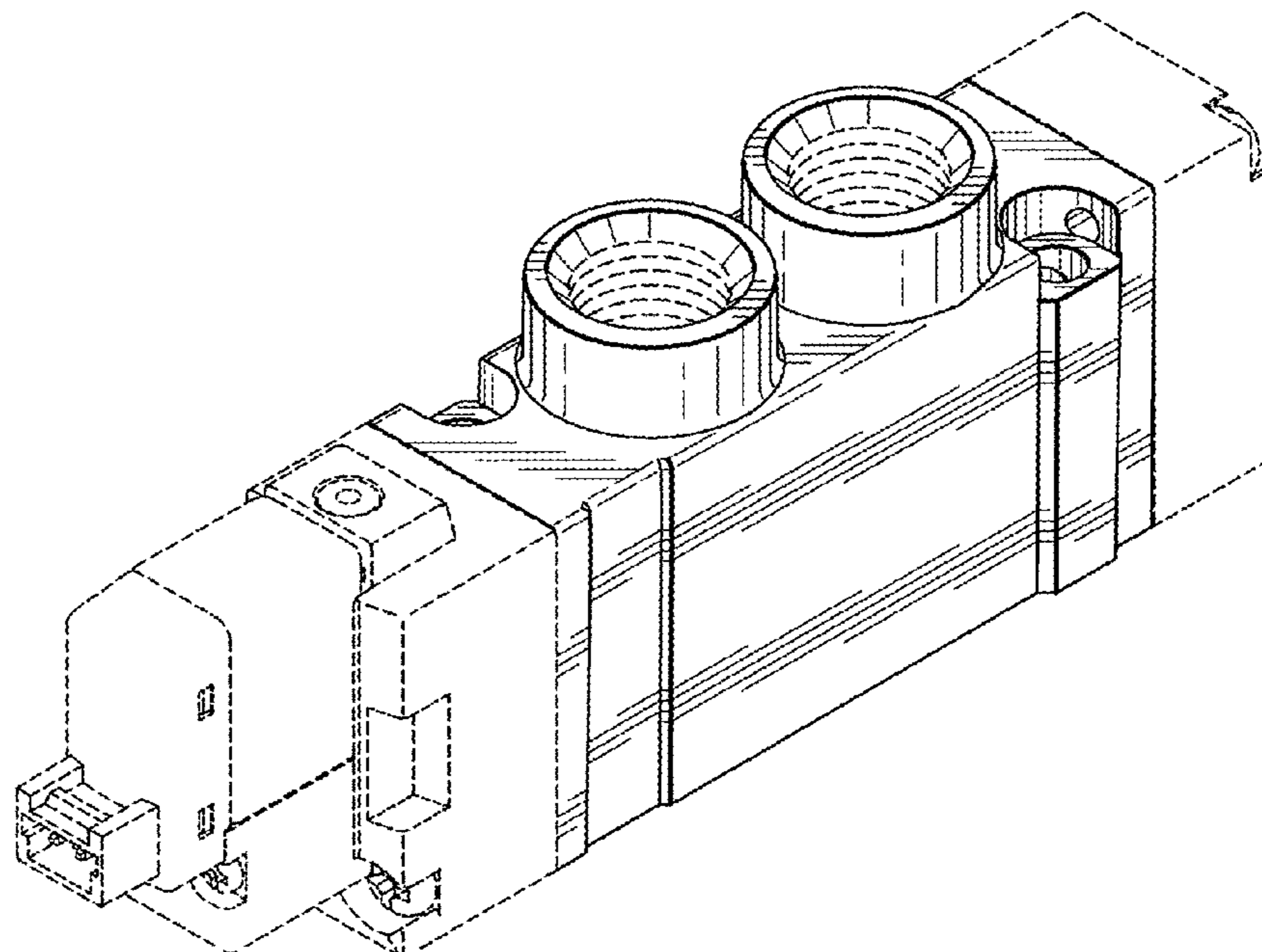
FIG. 1 is a front, top, and left side perspective view of an electromagnetic valve;  
FIG. 2 is a rear, bottom, and right side perspective view thereof;  
FIG. 3 is a front elevational view thereof;  
FIG. 4 is a rear elevational view thereof;  
FIG. 5 is a top plan view thereof;  
FIG. 6 is a bottom plan view thereof;  
FIG. 7 is a left side elevational view thereof; and,  
FIG. 8 is a right side elevational view thereof.  
The broken lines shown in the figures are for the purpose of illustrating portions of the electromagnetic valve that form no part of the claimed design.

(56) **References Cited**

U.S. PATENT DOCUMENTS

D720,046 S \* 12/2014 Morodomi ..... D23/233  
D736,894 S \* 8/2015 Morodomi ..... D23/233

**1 Claim, 8 Drawing Sheets**



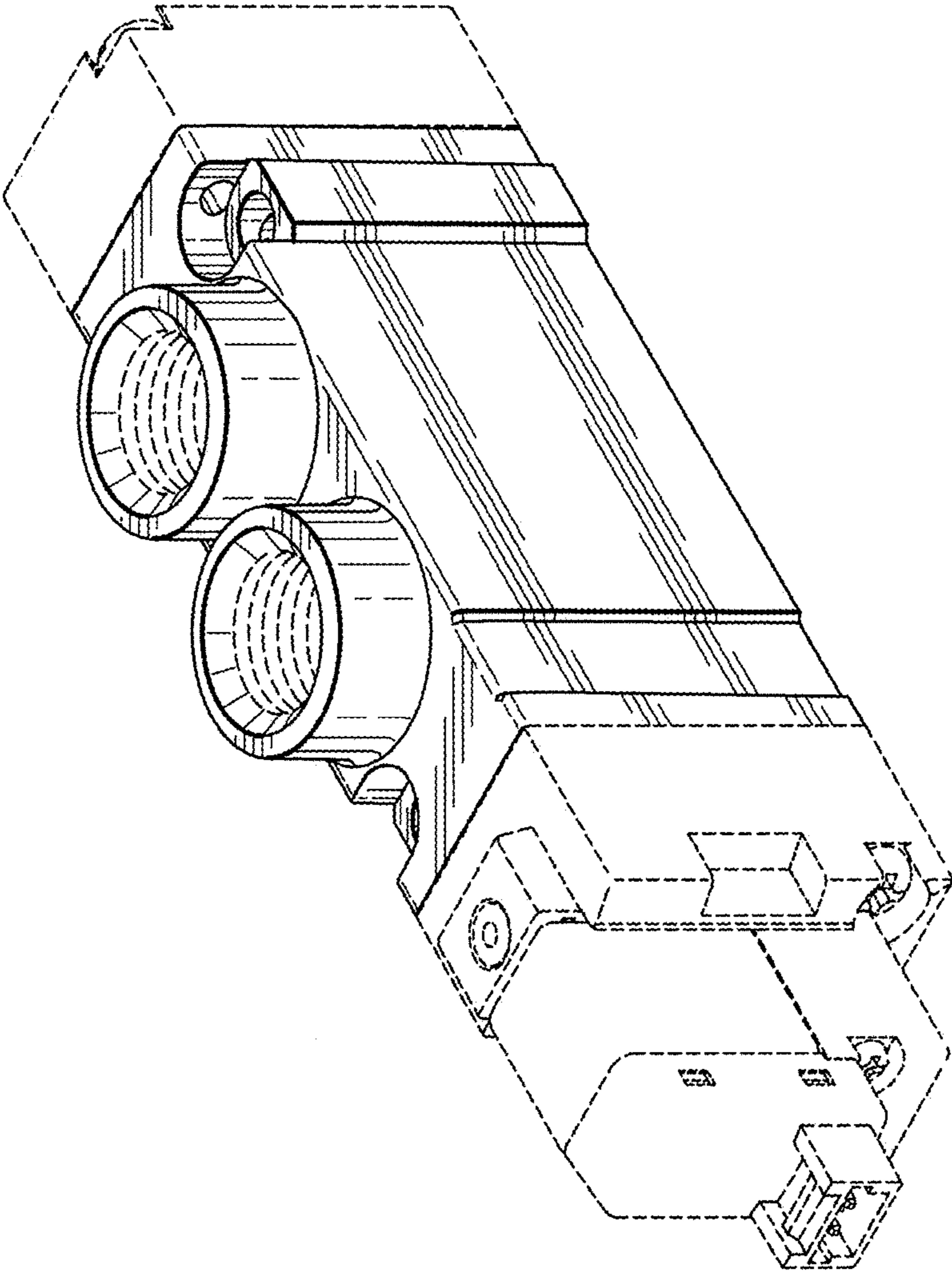


FIG. 1

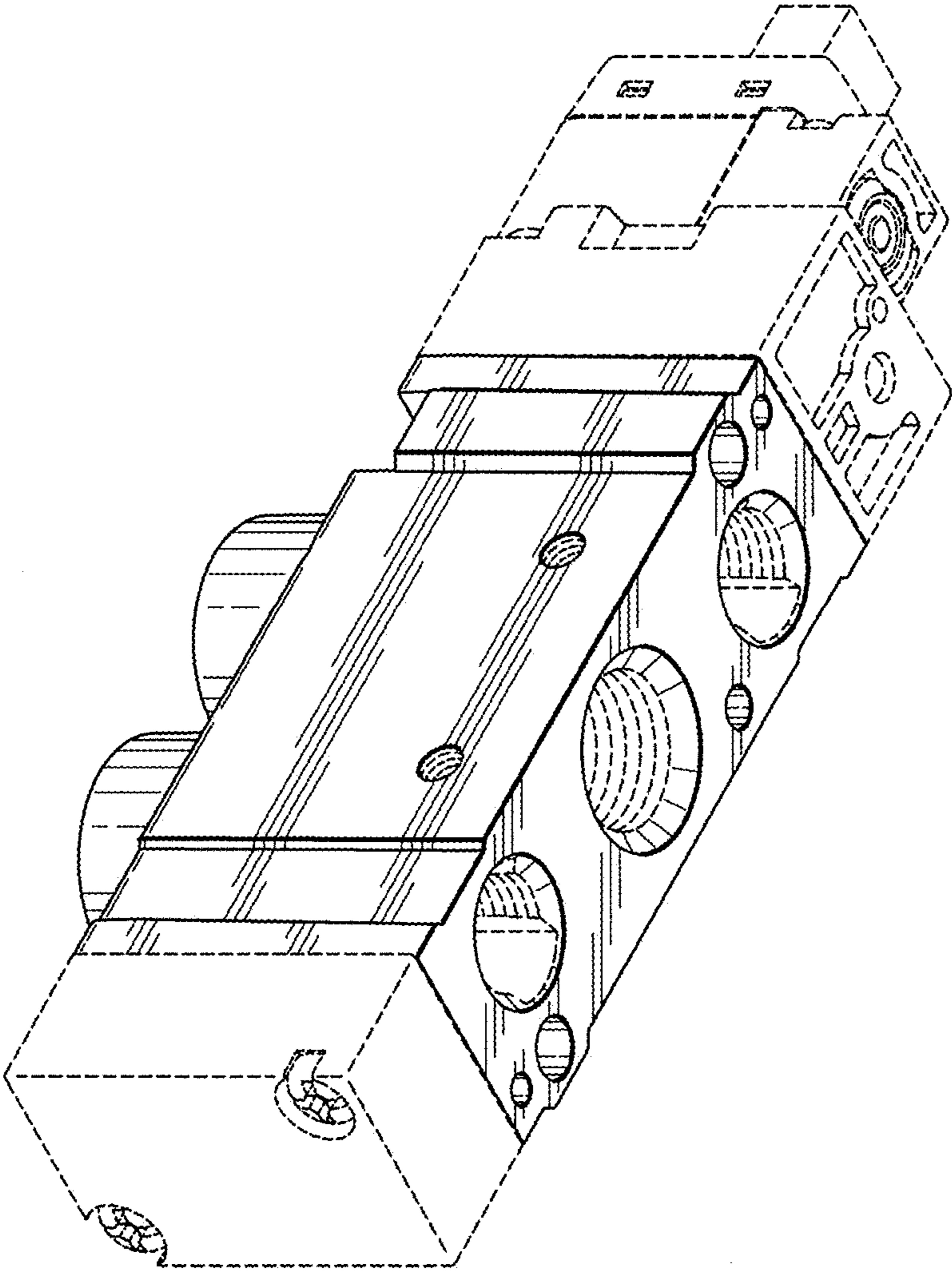


FIG. 2

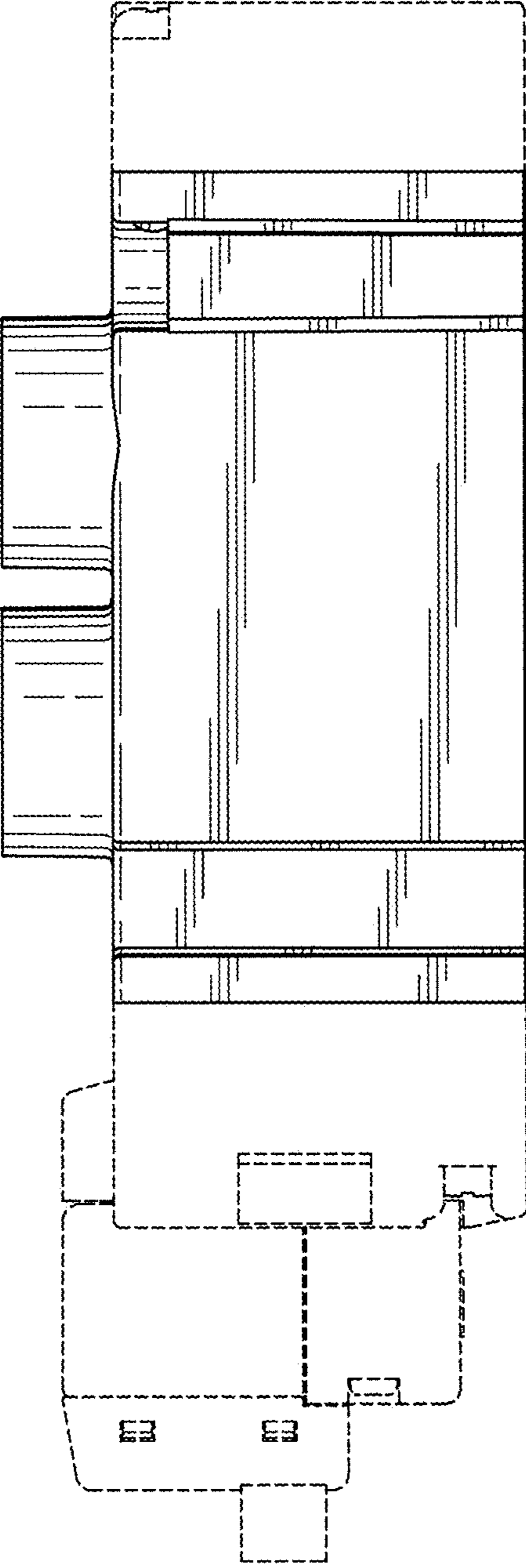


FIG. 3

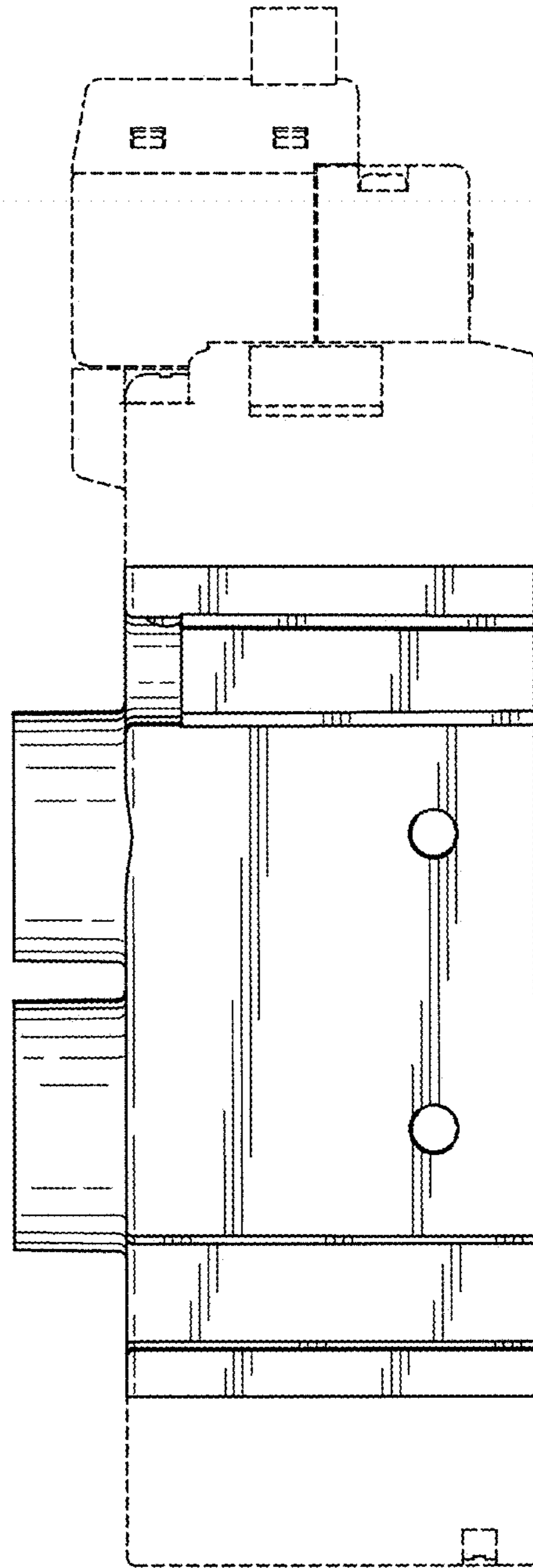


FIG. 4

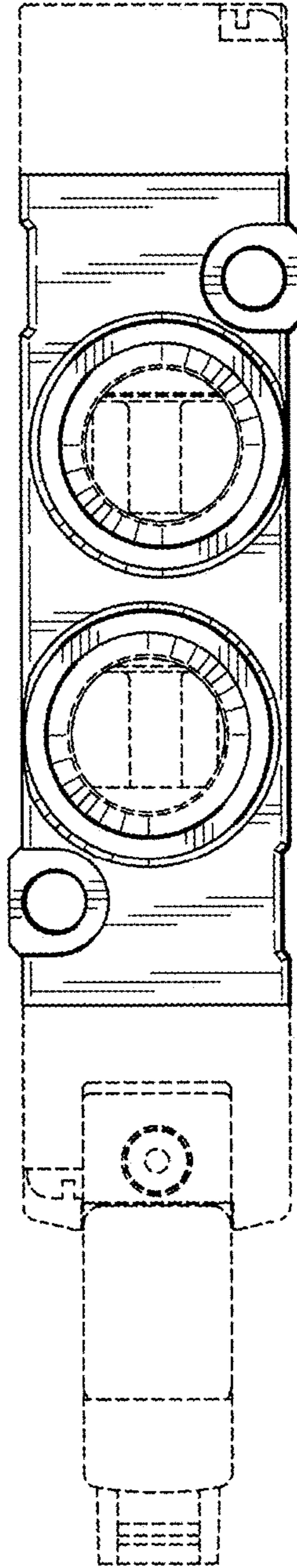


FIG. 5

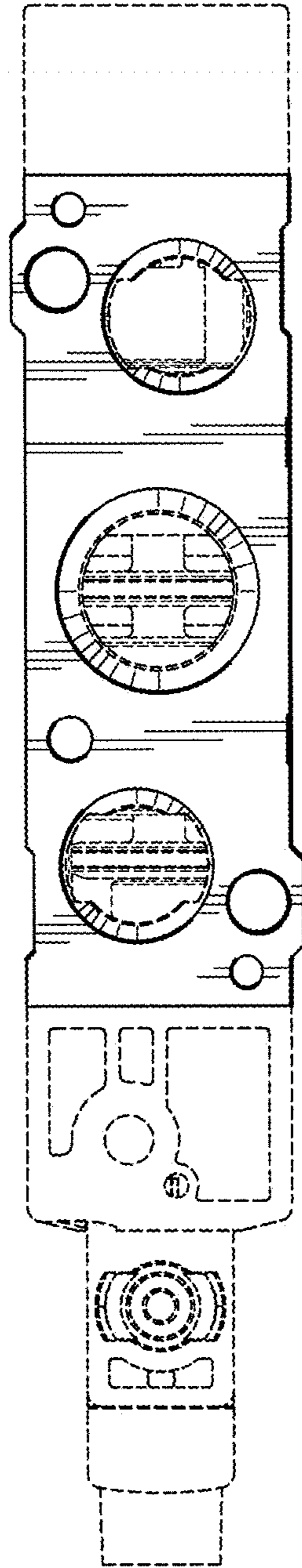


FIG. 6

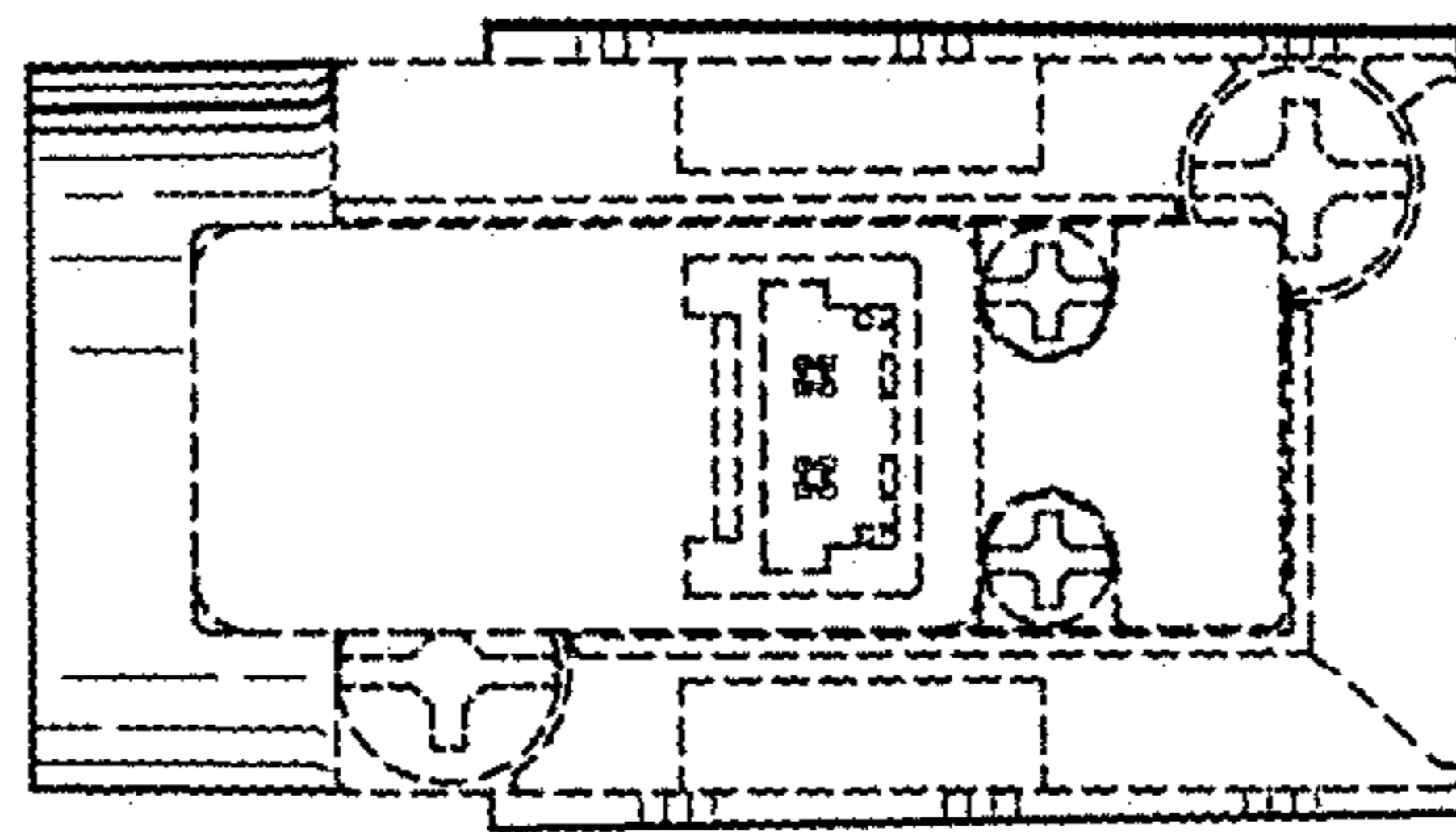


FIG. 7



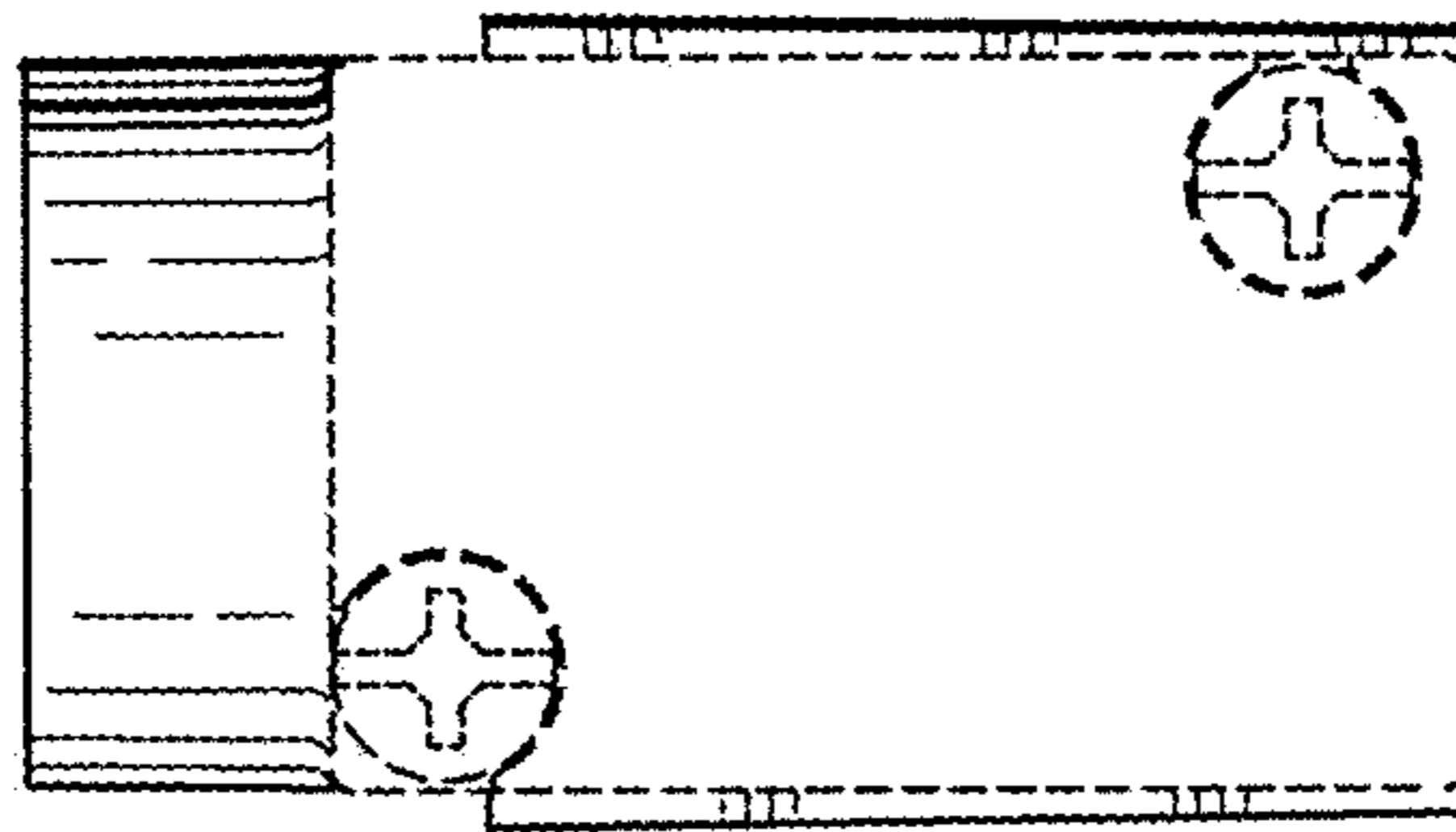


FIG. 8