



US00D897495S

(12) **United States Design Patent** (10) **Patent No.:** **US D897,495 S**
Schoenherr et al. (45) **Date of Patent:** **** Sep. 29, 2020**

(54) **HANSHOWER**
(71) Applicant: **Hansgrohe SE**, Schiltach (DE)
(72) Inventors: **Tom Schoenherr**, Stuttgart (DE);
Matthias Oesterle, Winterbach (DE)
(73) Assignee: **Hansgrohe SE**, Schitach (DE)
(**) Term: **15 Years**
(21) Appl. No.: **29/693,215**
(22) Filed: **May 31, 2019**

D730,493 S * 5/2015 Sehl D23/261
D733,258 S * 6/2015 Sandee D23/223
D737,931 S * 9/2015 Schoenherr D23/223
D737,932 S * 9/2015 Nikles D23/223
D743,507 S * 11/2015 Georgeson D23/252
D746,955 S * 1/2016 Corder D23/261
D752,711 S * 3/2016 Georgeson D23/213

(Continued)

FOREIGN PATENT DOCUMENTS

CN 304620558 5/2018
CN 304647392 5/2018

(Continued)

OTHER PUBLICATIONS

https://www.amazon.com/Hansgrohe-26036001-Raindance-Handshower-Chrome/dp/B07G61QDSW/ref=sr_1_7?dchild=1&keywords=HANSGROHE%2BSHOWER%2BHEAD&qid=1591218093&sr=8-7&th=1 (Year: 2018).*

Primary Examiner — Manpreet S Matharu
Assistant Examiner — Keith J Wilson
(74) *Attorney, Agent, or Firm* — Lora J. Graentzdoerffer

(57) **CLAIM**

The ornamental design for a handshower, as shown and described.

DESCRIPTION

FIG. 1 is a perspective view of a handshower showing our design;
FIG. 2 is a front elevation view;
FIG. 3 is a rear elevation view;
FIG. 4 is a side elevation view;
FIG. 5 is a top plan view; and,
FIG. 6 is a bottom plan view.
The broken-line disclosures in the view represents portions of the handshower in which the claimed design is embodied, but which forms no part of the claimed design.

1 Claim, 6 Drawing Sheets

(30) **Foreign Application Priority Data**

Dec. 4, 2018 (EM) 005843083-0004

(51) **LOC (12) Cl.** **23-01**

(52) **U.S. Cl.**
USPC **D23/213**

(58) **Field of Classification Search**
USPC D23/213, 214, 215, 223, 224, 226, 229,
D23/230

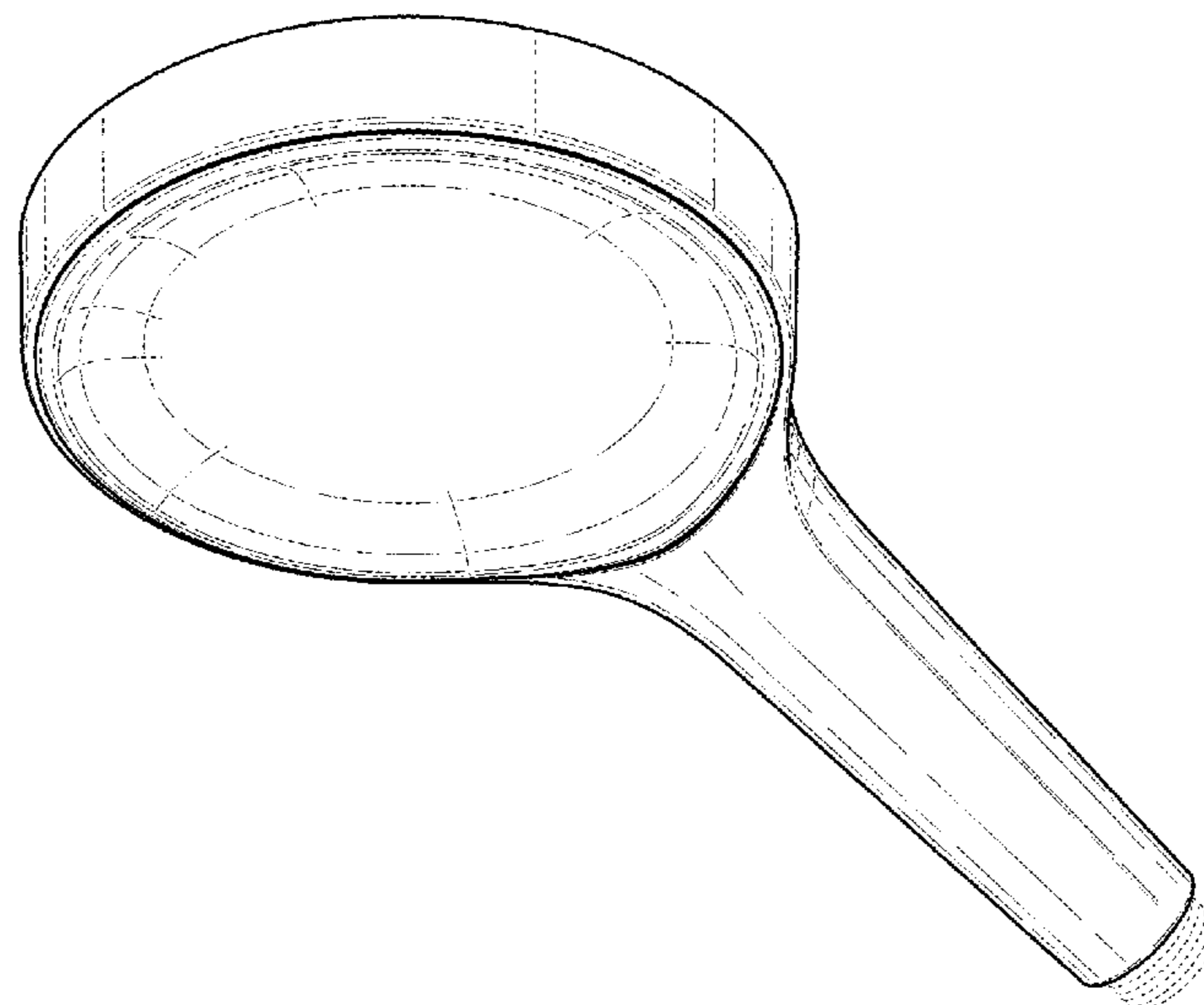
CPC A61H 9/0021; A61H 33/00; B05B 1/00;
B05B 1/14; B05B 1/185; B05B 1/08;
B05B 1/02; B05B 1/26; B05B 12/002;
B05B 1/18; B05B 9/01

See application file for complete search history.

(56) **References Cited**

U.S. PATENT DOCUMENTS

D487,498 S * 3/2004 Blomstrom D23/213
D508,730 S * 8/2005 Blomstrom D23/229
D524,412 S * 7/2006 Blomstrom D23/229
D680,619 S * 4/2013 Zhadanov D23/223
D681,776 S * 5/2013 Cutler D23/223
D694,357 S * 11/2013 Brodey D23/213
D694,359 S * 11/2013 Schoenherr D23/213
D707,330 S * 6/2014 Schoenherr D23/223
D713,004 S * 9/2014 Schoenherr D23/223
D713,496 S * 9/2014 Schoenherr D23/213
D718,418 S * 11/2014 Georgeson D23/213



(56)

References Cited

U.S. PATENT DOCUMENTS

9,387,495 B2 *	7/2016	Schumacher	B05B 1/30
D778,404 S *	2/2017	Schoenherr	D23/223
D779,038 S *	2/2017	Hanna	D23/223
D779,039 S *	2/2017	Hanna	D23/223
D801,475 S *	10/2017	Naslund	D23/213
D803,350 S *	11/2017	Tian	D23/213
D808,499 S *	1/2018	Naslund	D23/213
D809,094 S *	1/2018	Naslund	D23/213
D810,233 S *	2/2018	Winter	D23/213
D810,861 S *	2/2018	Weaver	D23/213
D811,524 S *	2/2018	Bossini	D23/223
D820,388 S *	6/2018	Seum	D23/213
D820,949 S *	6/2018	Reinecker	D23/213
D821,542 S *	6/2018	Reinecker	D23/213
D824,485 S *	7/2018	Montoya	D23/213
D833,575 S *	11/2018	Soulier	D23/223
D839,384 S *	1/2019	Svendsen	D23/213
D840,503 S *	2/2019	Stein	D23/213
D841,121 S *	2/2019	Kiefer	D23/213
D841,125 S *	2/2019	Lai	D23/223
D842,429 S *	3/2019	Huang	D23/213
D842,430 S *	3/2019	Huang	D23/213
D842,431 S *	3/2019	Cacka	D23/213
D842,967 S *	3/2019	Farley	D23/213

FOREIGN PATENT DOCUMENTS

CN	304826714	9/2018
CN	304875852	11/2018
CN	304894622	11/2018
CN	304920732	11/2018

* cited by examiner

FIG. 1

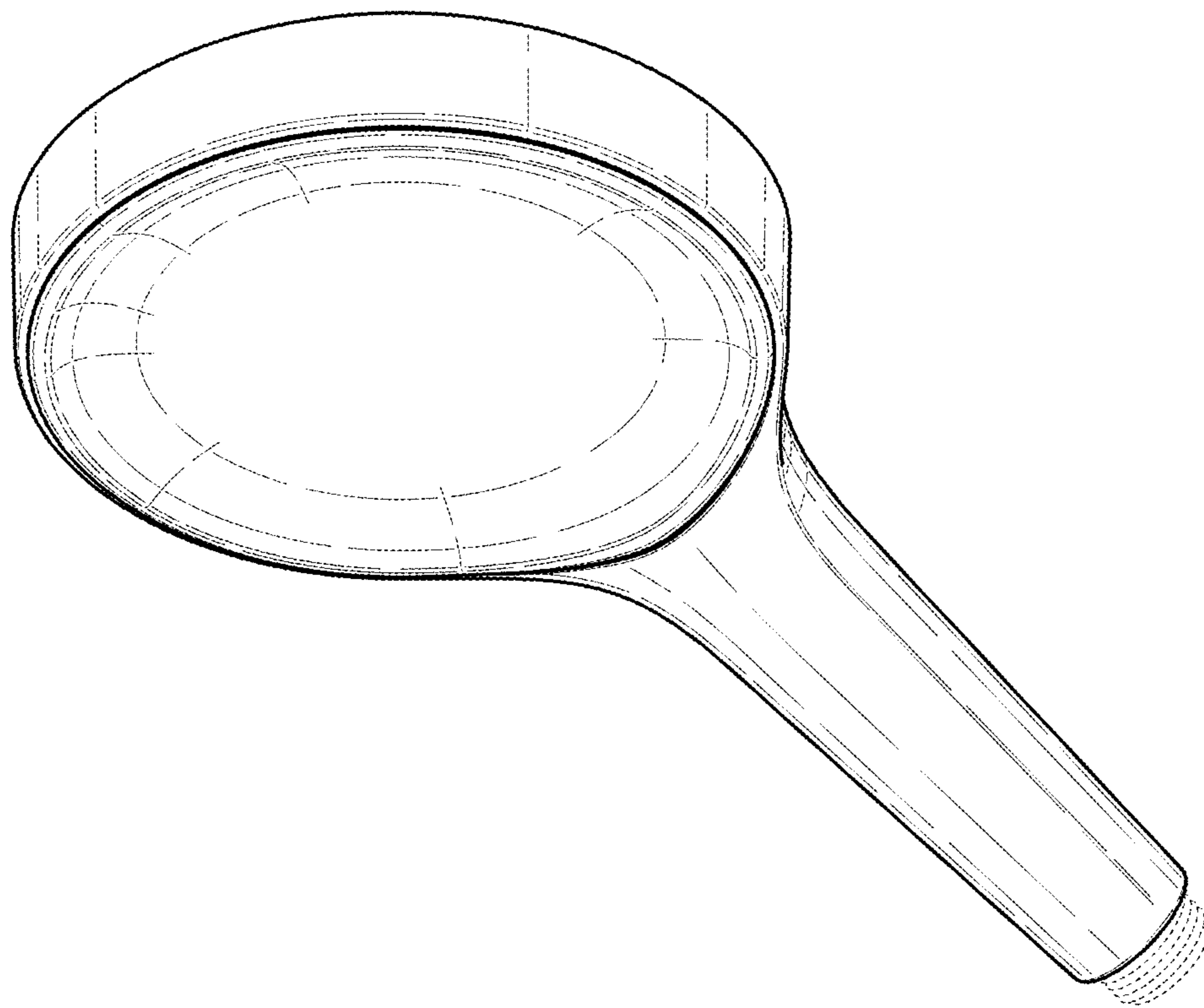


FIG. 2

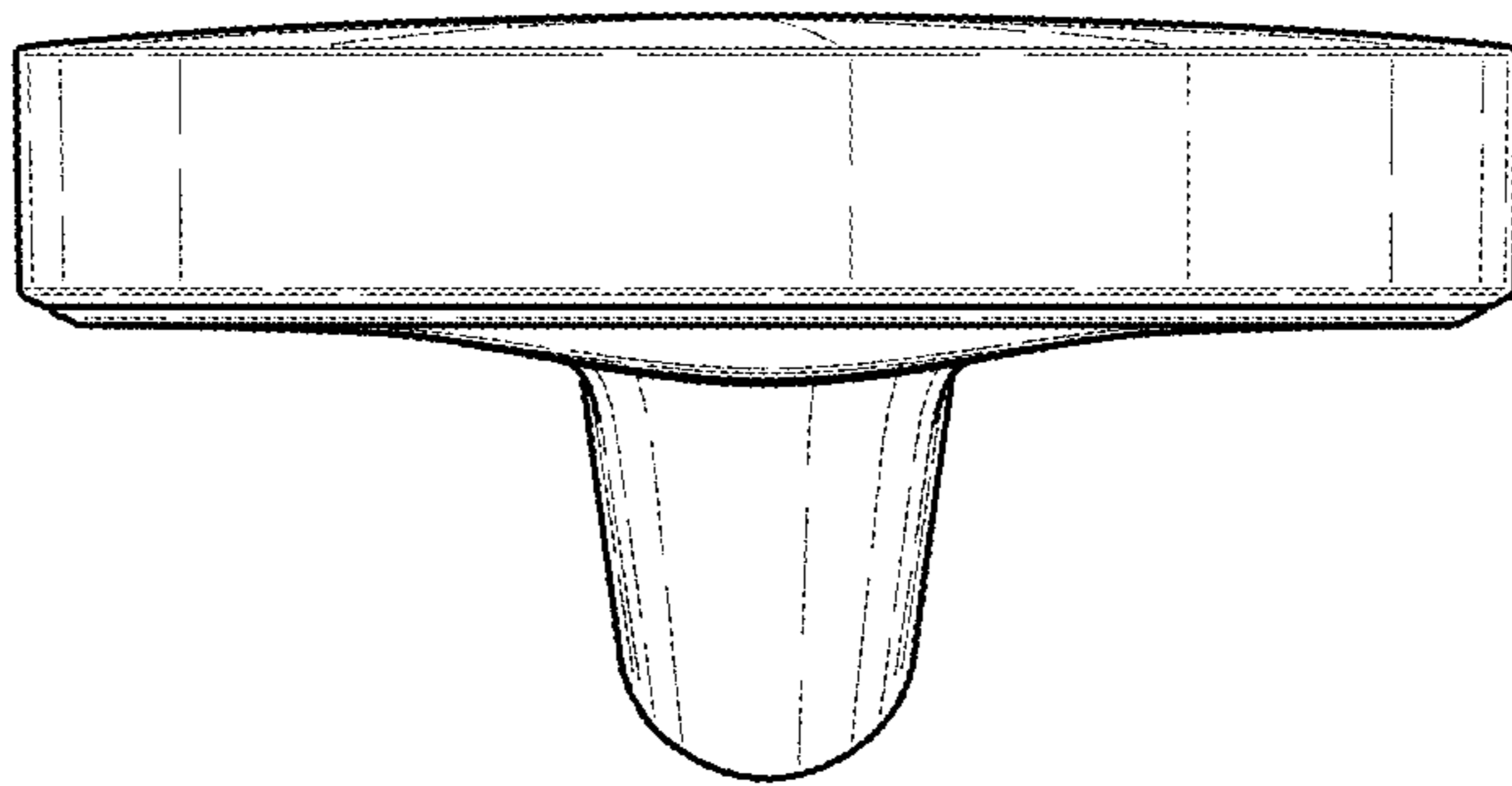


FIG. 3

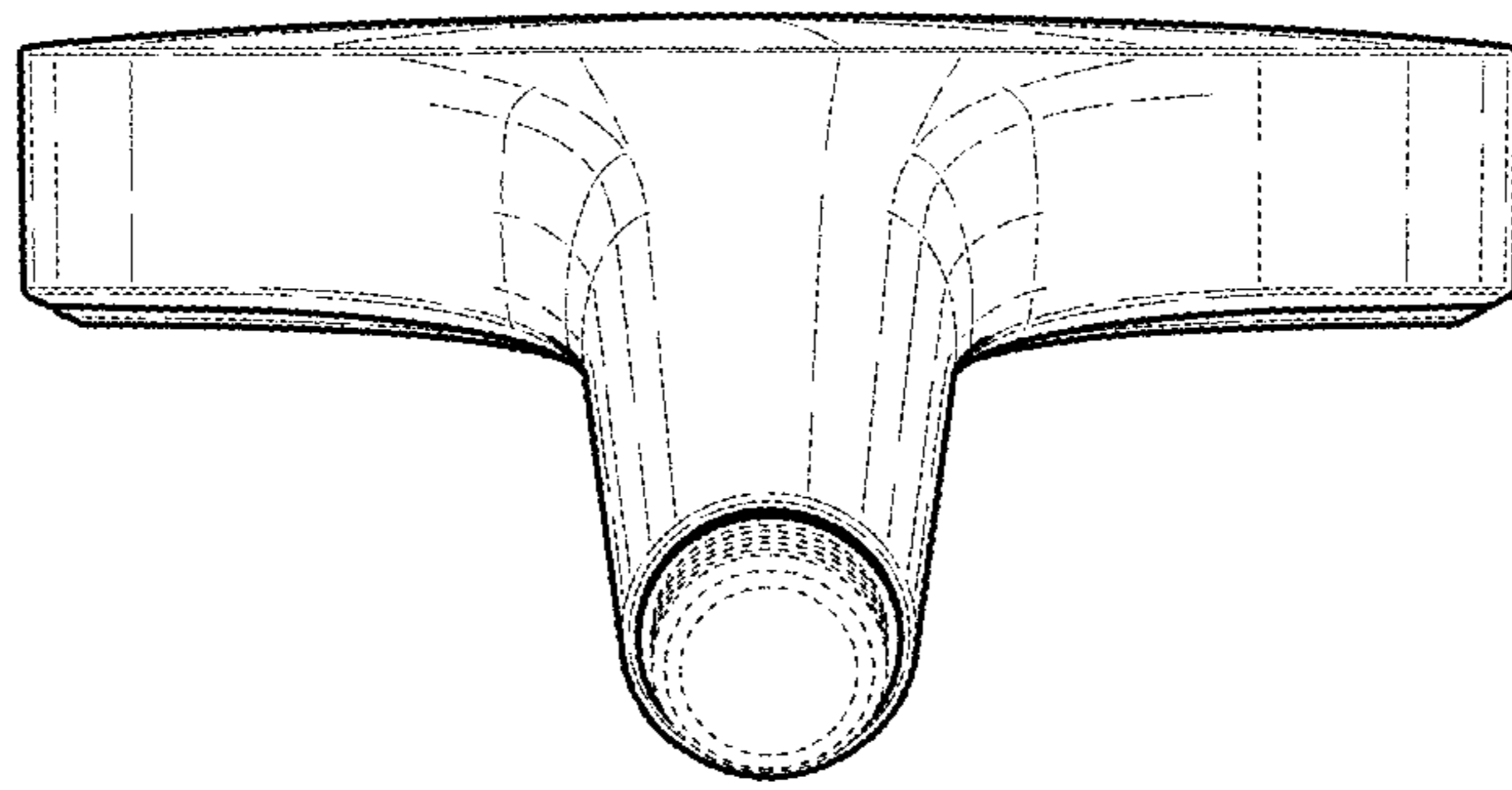


FIG. 4

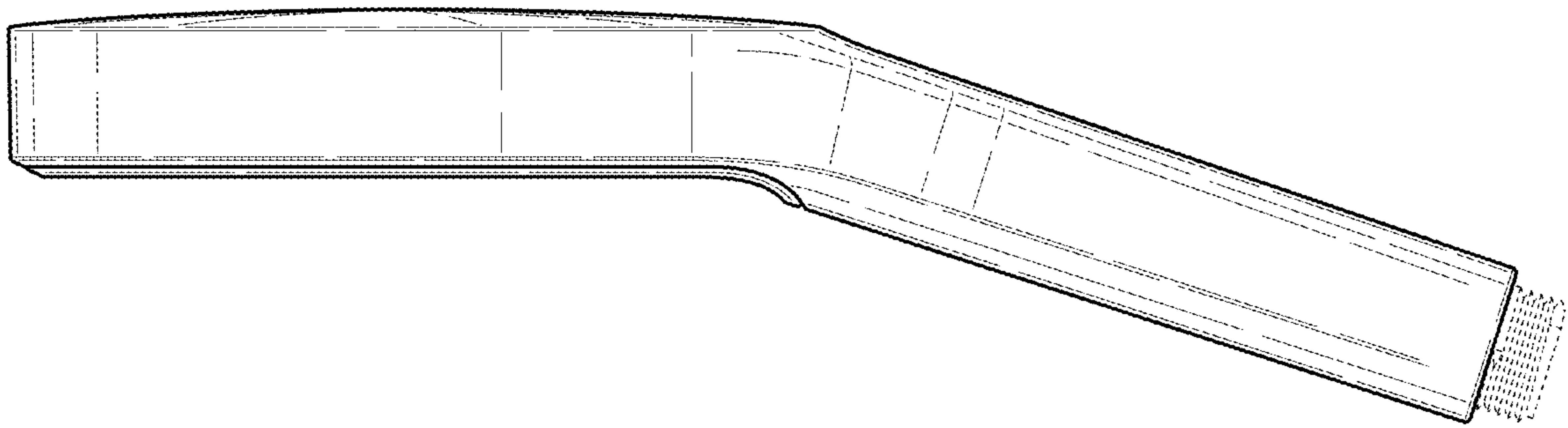


FIG. 5



FIG. 6

