

US00D897494S

(12) **United States Design Patent**
Burgdorf

(10) **Patent No.:** **US D897,494 S**

(45) **Date of Patent:** **** Sep. 29, 2020**

(54) **NOZZLE**
(71) Applicant: **Armaturenwerk Hoetensleben GmbH,**
Hoetensleben (DE)
(72) Inventor: **Aldo Burgdorf, Voelpke (DE)**
(73) Assignee: **ARMATURENWERK**
HOETENSLEBEN GMBH (DE)
(**) Term: **15 Years**

5,799,364 A * 9/1998 Foisy A47L 5/24
15/338
D402,354 S * 12/1998 Strong D23/259
5,996,134 A * 12/1999 Senninger E03D 11/16
138/96 R
D418,590 S * 1/2000 Tracy D23/213
D439,636 S * 3/2001 Hamilton D23/213
6,435,567 B2 * 8/2002 Kikumori F16L 25/0036
285/319
D462,256 S * 9/2002 Jaynes D12/160
6,499,771 B1 * 12/2002 Snyder, Sr. F16L 37/0915
285/319

(Continued)

(21) Appl. No.: **29/686,009**

(22) Filed: **Apr. 2, 2019**

(30) **Foreign Application Priority Data**

Dec. 11, 2018 (EP) 005879129-0001

(51) **LOC (12) Cl.** **23-01**

(52) **U.S. Cl.**
USPC **D23/213**

(58) **Field of Classification Search**
USPC D23/213, 214, 215, 223, 224, 226, 229,
D23/230, 259

CPC A61H 9/0021; A61H 33/00; B05B 1/00;
B05B 1/14; B05B 1/185; B05B 1/08;
B05B 1/02; B05B 1/26; B05B 12/002;
B05B 1/18; B05B 9/01

See application file for complete search history.

(56) **References Cited**

U.S. PATENT DOCUMENTS

D221,651 S * 8/1971 Napper D23/259
D229,496 S * 12/1973 Hand D23/262
4,827,539 A * 5/1989 Kiziah E03D 11/16
285/303
4,899,938 A * 2/1990 Havrilla, Jr. B05B 7/0815
239/294
D319,291 S * 8/1991 Hanzel D23/212
D349,758 S * 8/1994 Hallbach D23/259
D364,916 S * 12/1995 Hallbach D23/259

OTHER PUBLICATIONS

https://www.amazon.com/BIG-DEAL-sprinklers-Multi-Nozzle-Adjustable-Greenhouse/dp/B07VK8983P/ref=sr_1_314?keywords=multi+nozzle&gid=1584218415&sr=8-314 (Year: 2020).*

Primary Examiner — Manpreet S Matharu

Assistant Examiner — Keith J Wilson

(74) *Attorney, Agent, or Firm* — Gerald E. Hespos;
Michael J. Porco; Matthew T. Hespos

(57) **CLAIM**

The ornamental design for a nozzle, as shown and described.

DESCRIPTION

FIG. 1 is a perspective view of a nozzle in accordance with my design;

FIG. 2 is a side elevational view of the nozzle taken from the right side of FIG. 1;

FIG. 3 is a front elevational view thereof;

FIG. 4 is a side elevational view of the nozzle taken from the left side of FIG. 1;

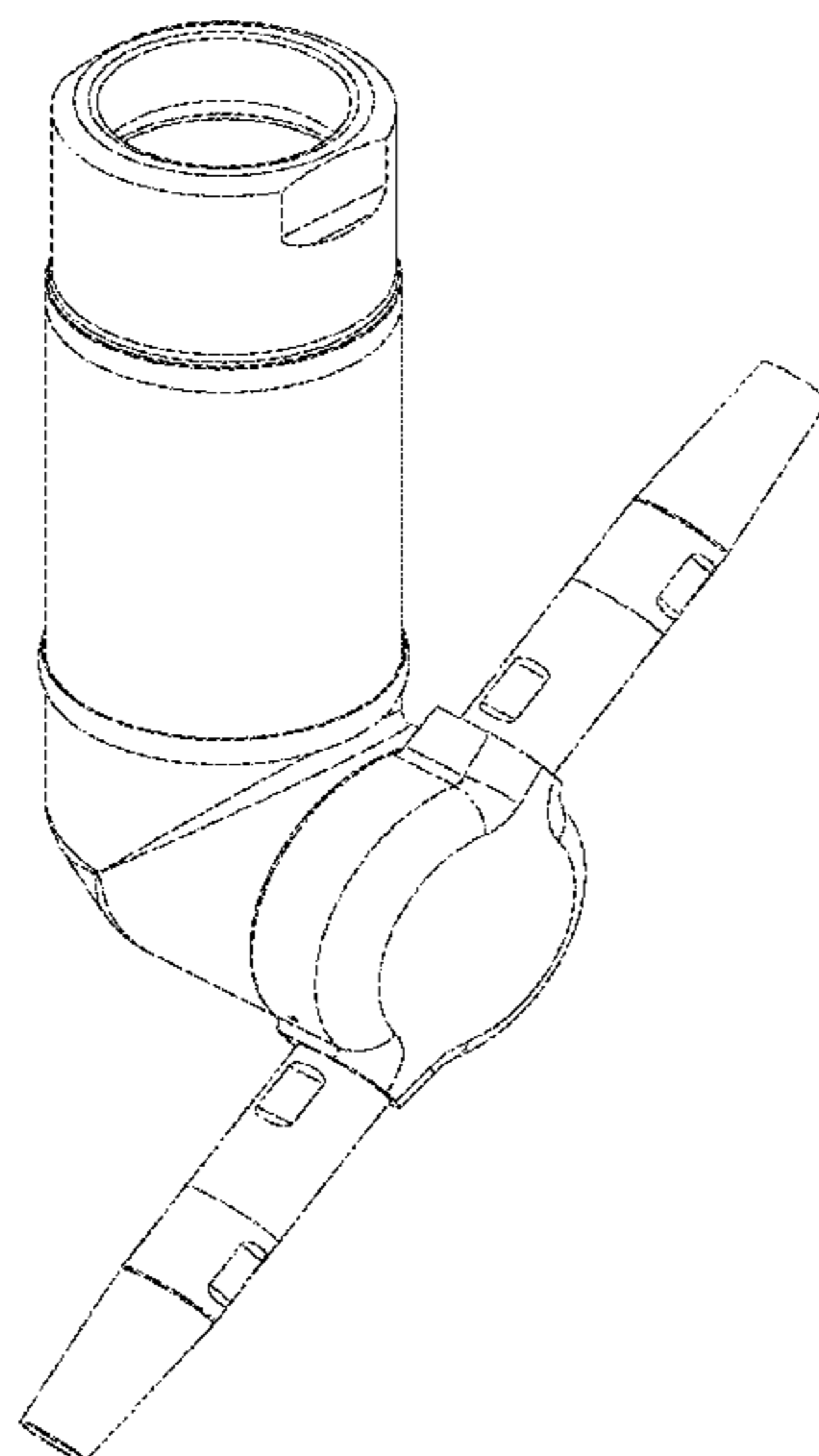
FIG. 5 is a rear elevational view thereof;

FIG. 6 is a top plan view thereof; and,

FIG. 7 is a bottom plan view thereof.

The broken lines shown represents portions of a nozzle and form no part of the claimed design.

1 Claim, 7 Drawing Sheets



(56)

References Cited

U.S. PATENT DOCUMENTS

D574,931 S *	8/2008	Hughes	D23/262	D851,220 S *	6/2019	Thompson	D23/259
D595,420 S *	6/2009	Suzuki	D24/227	D851,738 S *	6/2019	Ghorbani	D23/259
D595,421 S *	6/2009	Suzuki	D24/227	D852,934 S *	7/2019	Habres	D23/259
D595,863 S *	7/2009	Suzuki	D24/227	D855,781 S *	8/2019	Delancey	D23/259
D627,432 S *	11/2010	Escoto, Jr.	B05B 7/066	D857,179 S *	8/2019	Thompson	D23/259
			D23/213	D859,604 S *	9/2019	Dagdelen	D23/259
D638,104 S *	5/2011	Govoni	D23/262	D861,054 S *	9/2019	Avila	D15/199
D646,762 S *	10/2011	Terry	D23/259	D865,919 S *	11/2019	Lippka	D23/262
D670,786 S *	11/2012	Mauchle	D23/213	D868,112 S *	11/2019	Tsuji	D15/5
8,474,878 B2 *	7/2013	Richter	F16B 2/246	2003/0062428 A1 *	4/2003	Baasch	F02M 25/00
			285/319				239/407
D689,590 S *	9/2013	Brose	D23/213	2004/0080160 A1 *	4/2004	Rief	E04H 4/1654
D704,312 S *	5/2014	Kuo	D23/259				285/276
D717,405 S *	11/2014	Coronado	D23/259	2006/0006651 A1 *	1/2006	Watanabe	F16L 25/0036
D717,406 S *	11/2014	Stanley	D23/259				285/247
8,910,677 B1 *	12/2014	Carpenter	B60K 15/04	2007/0228727 A1 *	10/2007	Matsuno	F16L 37/0985
			141/312				285/305
D737,410 S *	8/2015	Wyne	D23/259	2012/0325335 A1 *	12/2012	Schalkx	F16L 37/2445
D738,470 S *	9/2015	Eaton	F16L 21/08				137/315.01
			D23/259	2014/0327238 A1 *	11/2014	Bowman	F16L 21/08
D782,621 S *	3/2017	Smith	D23/259				285/112
D784,495 S *	4/2017	Pearson	D23/249	2014/0338773 A1 *	11/2014	French	F16L 37/1225
9,623,594 B2 *	4/2017	French	F16L 21/03				138/109
D806,833 S *	1/2018	Pearson	D23/249	2015/0060577 A1 *	3/2015	Kosovich	B05B 13/0627
D813,355 S *	3/2018	Weatherby	D23/259				239/587.1
D815,516 S *	4/2018	Karmarkar	D8/382	2015/0176728 A1 *	6/2015	Bowman	F16L 21/065
D816,811 S *	5/2018	Dagdelen	D23/259				285/309
D823,443 S *	7/2018	Bancroft	D23/262	2015/0353340 A1 *	12/2015	Gammon	B64D 37/00
D830,522 S *	10/2018	Di Liberto	D23/259				141/1
D833,581 S *	11/2018	Atwell	D23/259	2017/0328500 A1 *	11/2017	Bowman	F16L 17/04
D835,756 S *	12/2018	Auxter	D23/249	2017/0328505 A1 *	11/2017	Sith	F16L 37/0915
D836,755 S *	12/2018	Dale	D23/259	2017/0334705 A1 *	11/2017	Murugo Perez	B67D 7/06
D844,113 S *	3/2019	Auxter	D23/249	2018/0156362 A1 *	6/2018	Takeda	B25B 27/10
D847,309 S *	4/2019	Sugatani	D23/259	2018/0163905 A1 *	6/2018	Ohnemus	F16L 21/005
D849,890 S *	5/2019	Tempel	D23/233	2018/0209567 A1 *	7/2018	Brandt	F16L 17/04
				2018/0304179 A1 *	10/2018	Auxter	B01D 27/06
				2018/0326449 A1 *	11/2018	Dale	B05C 17/00513

* cited by examiner

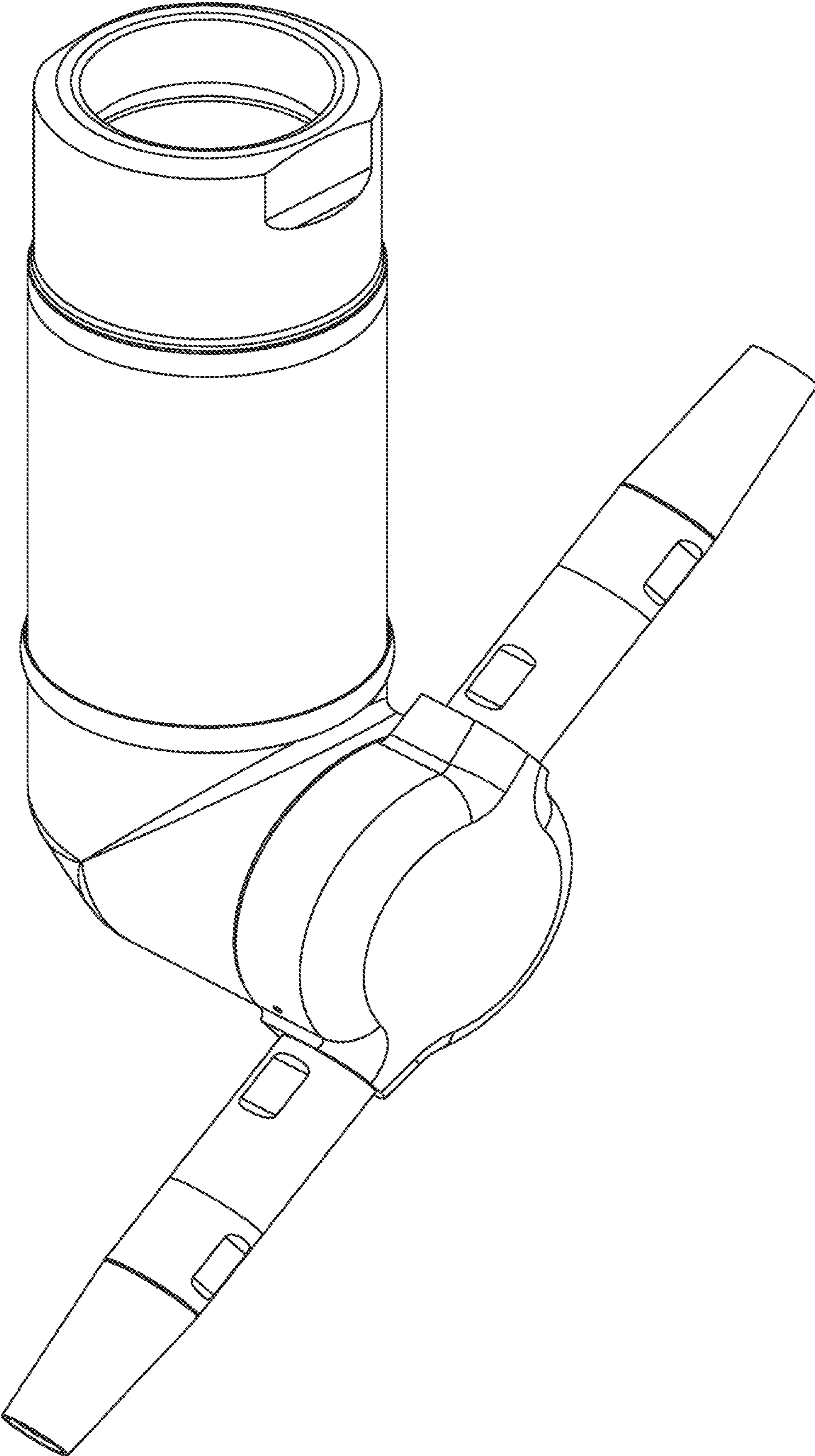


FIG. 1

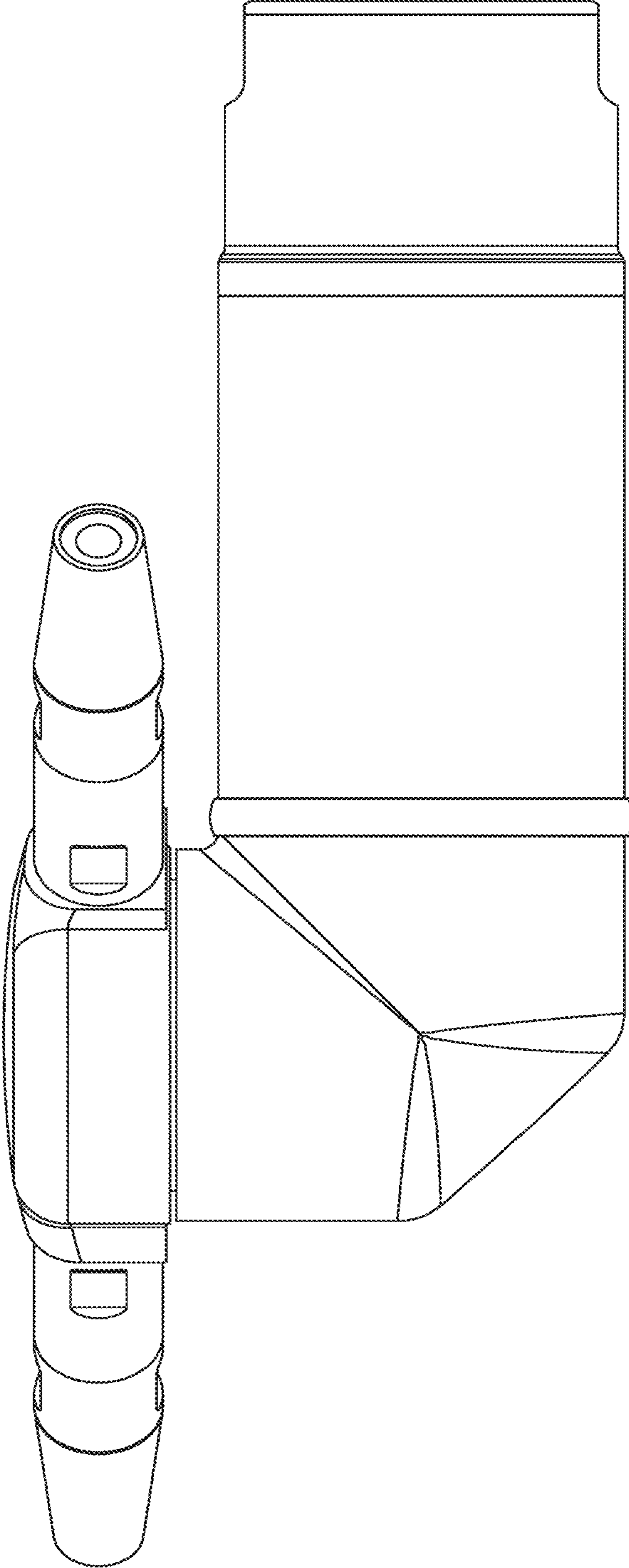


FIG. 2

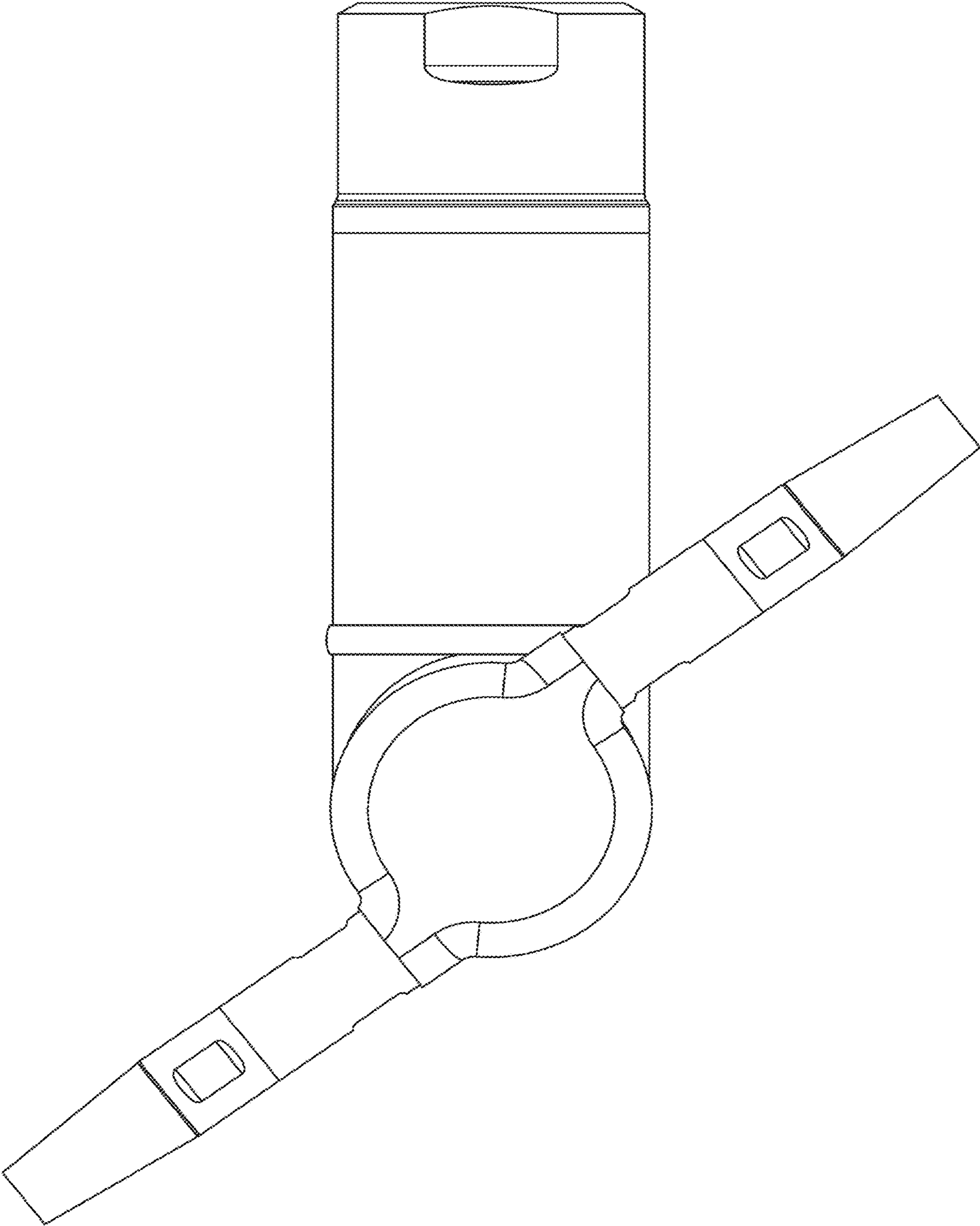


FIG. 3

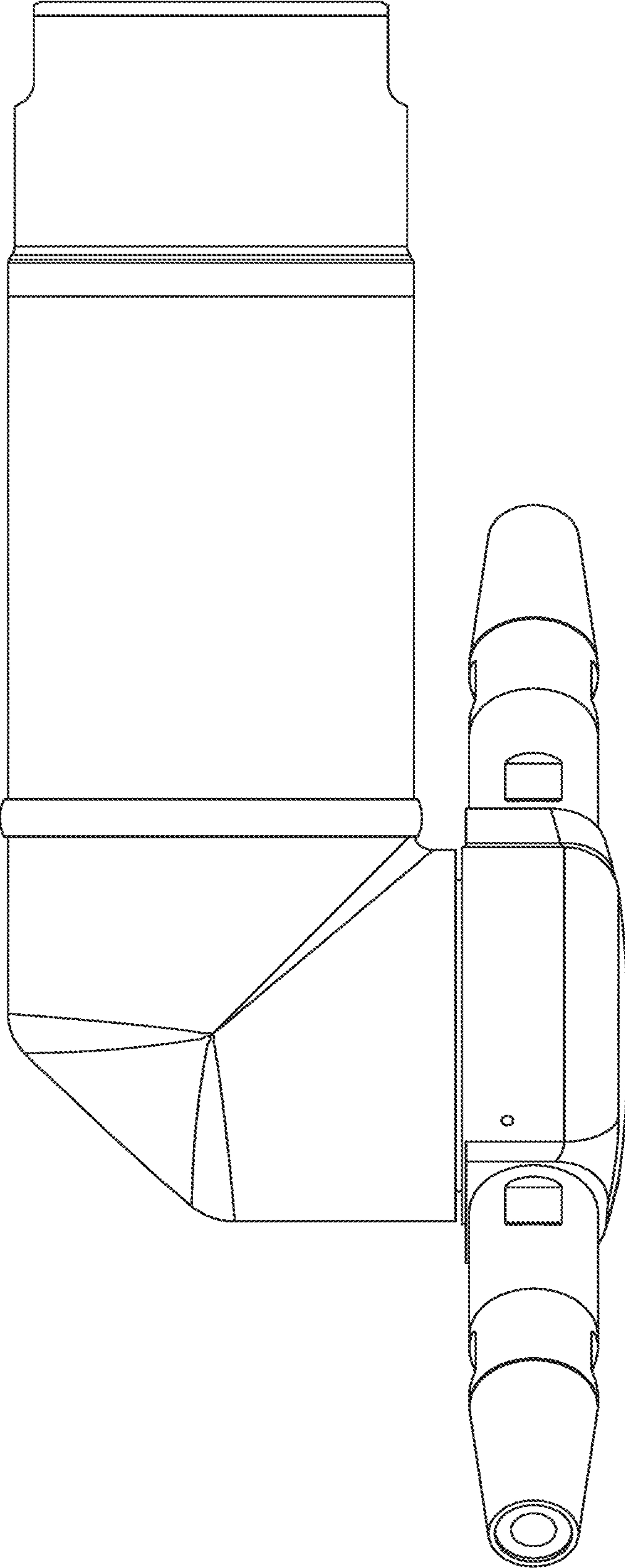


FIG. 4

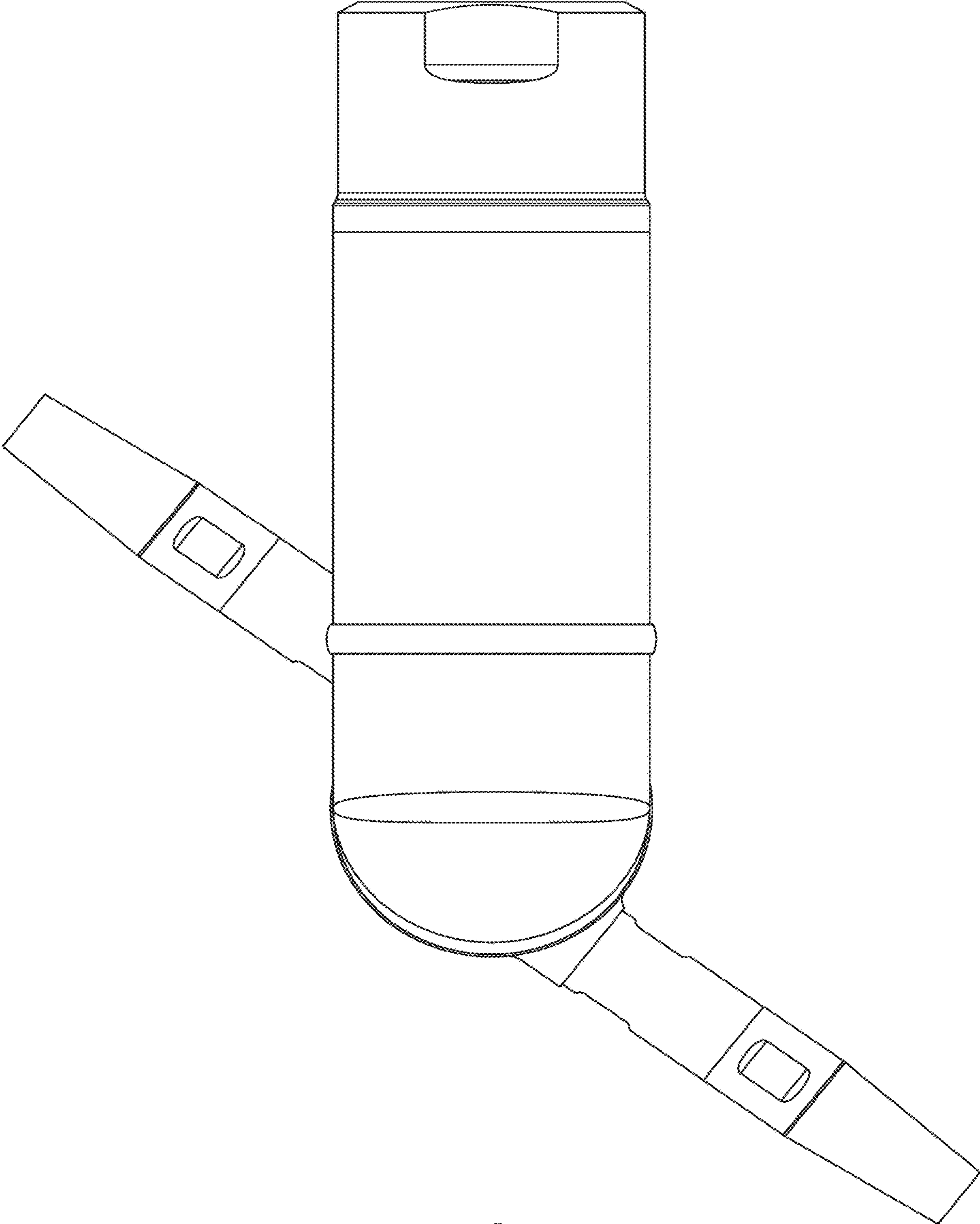


FIG. 5

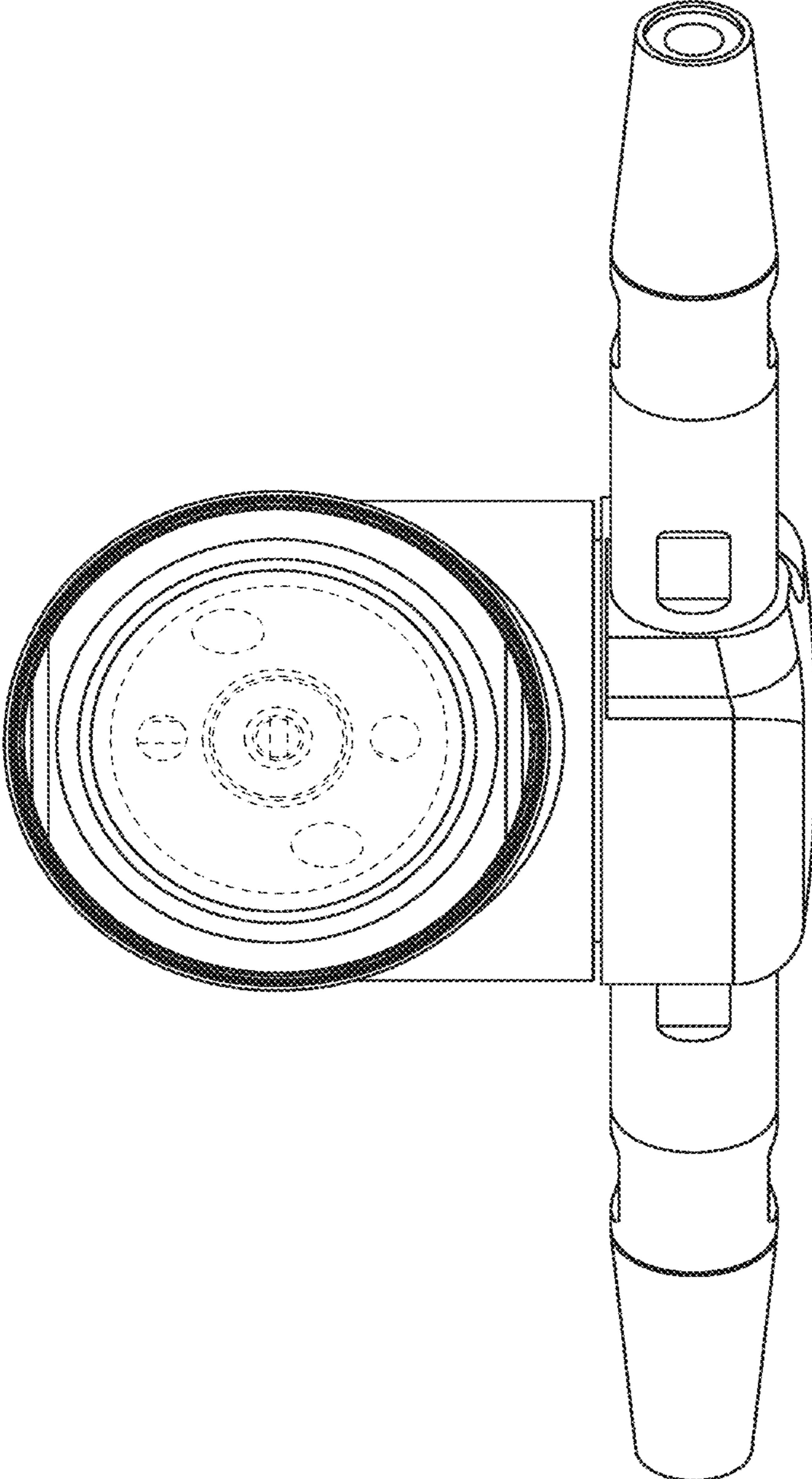


FIG. 6

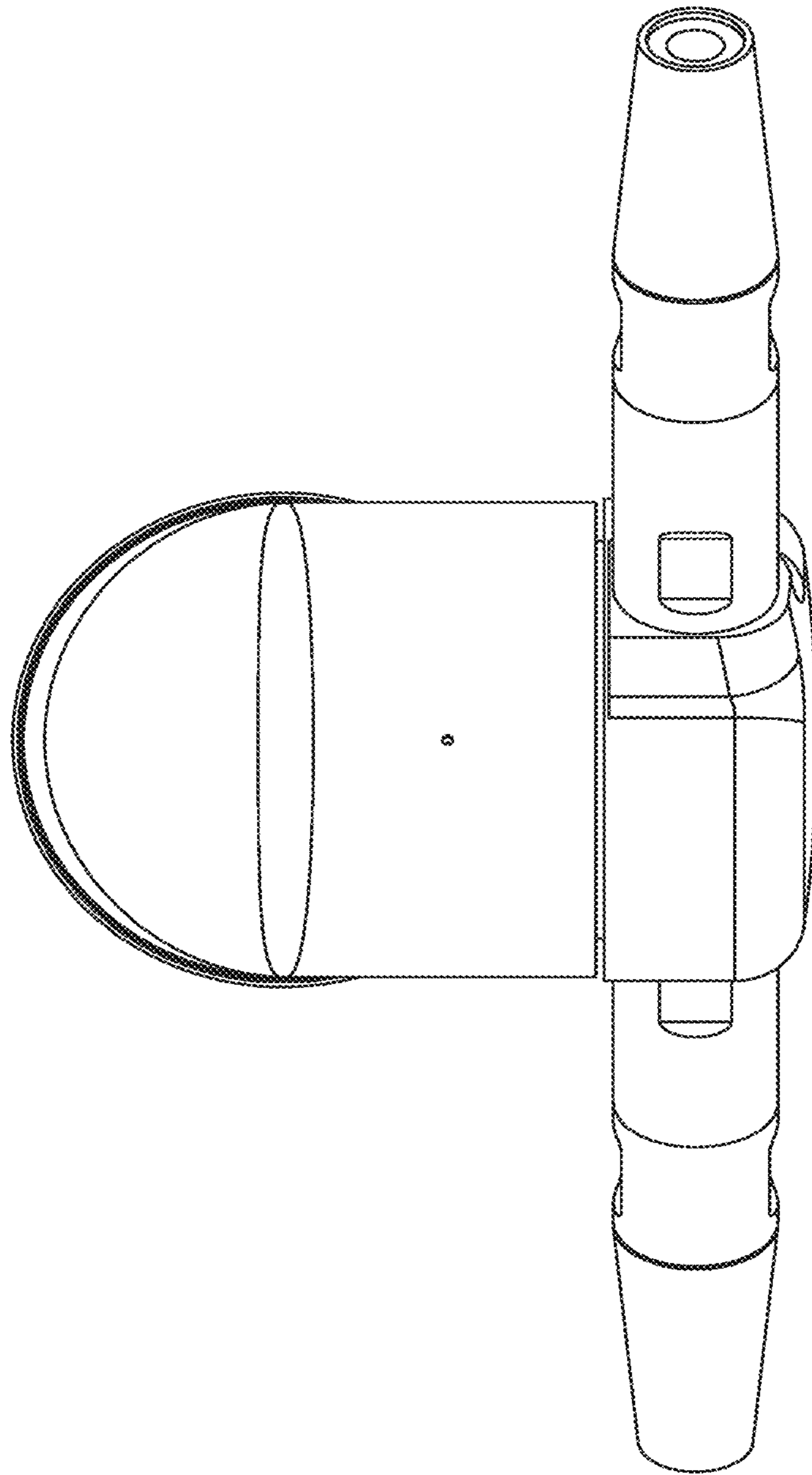


FIG. 7