



US00D897491S

(12) **United States Design Patent**  
**Moore et al.**

(10) **Patent No.:** **US D897,491 S**

(45) **Date of Patent:** **\*\* Sep. 29, 2020**

(54) **CHEMICAL DISPENSER FOR SWIMMING POOLS**

(71) Applicants: **David Robert James Moore**, Harare (ZW); **Glen Robert Fowler**, Harare (ZW)

(72) Inventors: **David Robert James Moore**, Harare (ZW); **Glen Robert Fowler**, Harare (ZW)

(\*\*) Term: **15 Years**

(21) Appl. No.: **29/671,677**

(22) Filed: **Nov. 29, 2018**

(51) **LOC (12) Cl.** ..... **23-01**

(52) **U.S. Cl.**  
USPC ..... **D23/208**

(58) **Field of Classification Search**  
USPC ..... D23/202, 205, 207, 208, 209, 210, 259, D23/260, 262, 365; D9/503  
CPC ..... B01D 2201/29; B01D 2201/30; B01D 2201/301; B01D 2201/302; B01D 2201/306; B01D 2201/309; B01D 35/30; C02F 1/002; C02F 1/003; C02F 1/688  
See application file for complete search history.

(56) **References Cited**

U.S. PATENT DOCUMENTS

|                |        |          |       |                        |
|----------------|--------|----------|-------|------------------------|
| D288,707 S *   | 3/1987 | Macevicz | ..... | D23/209                |
| D337,271 S *   | 7/1993 | Pezzoli  | ..... | D9/453                 |
| 5,503,742 A *  | 4/1996 | Farley   | ..... | B01D 29/01<br>210/238  |
| D397,464 S *   | 8/1998 | Concari  | ..... | D26/37                 |
| D425,175 S *   | 5/2000 | Spokoiny | ..... | B01D 35/147<br>D23/209 |
| D444,536 S *   | 7/2001 | Farley   | ..... | B01D 35/31<br>D23/209  |
| D526,382 S *   | 8/2006 | Thompson | ..... | B01D 29/01<br>D23/208  |
| 7,166,215 B2 * | 1/2007 | Reid     | ..... | B01D 35/31<br>210/232  |

|                |         |           |       |            |
|----------------|---------|-----------|-------|------------|
| D649,670 S *   | 11/2011 | Robinson  | ..... | D26/49     |
| D736,344 S *   | 8/2015  | Chalifoux | ..... | D23/208    |
| 9,132,367 B2 * | 9/2015  | Honermann | ..... | B01D 29/15 |
| D775,957 S *   | 1/2017  | Hunt      | ..... | D7/629     |
| D800,572 S *   | 10/2017 | Creighton | ..... | D9/556     |

(Continued)

*Primary Examiner* — Sheryl Lane

*Assistant Examiner* — Calvin E Vansant

(74) *Attorney, Agent, or Firm* — Ware, Fressola, Maguire & Barber LLP

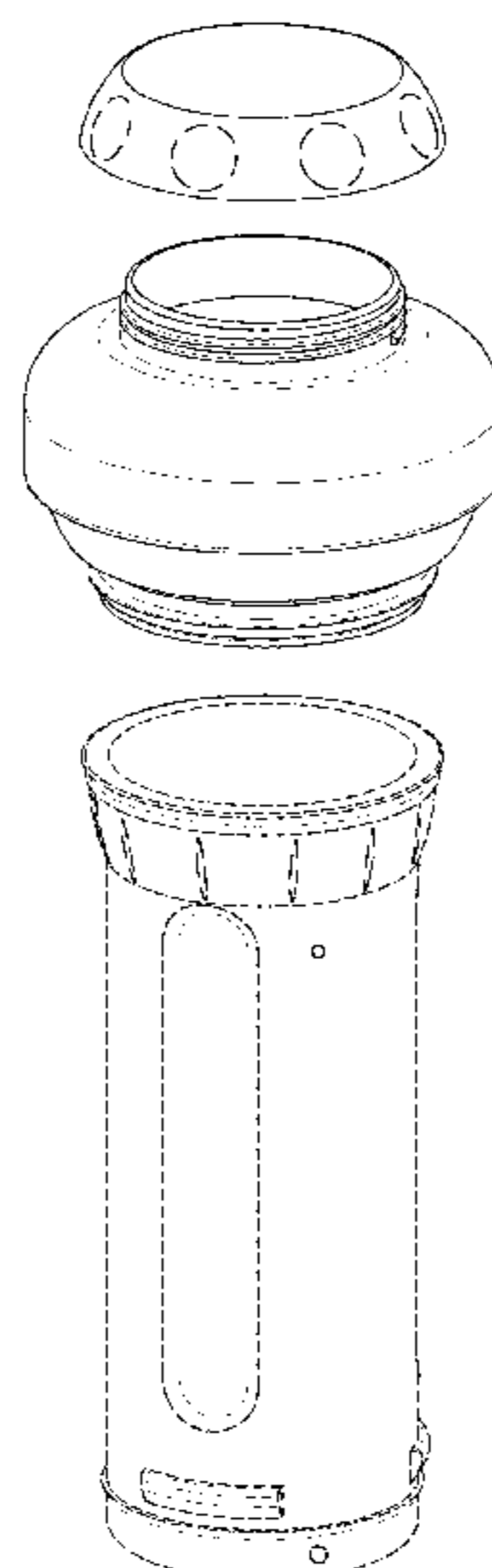
(57) **CLAIM**

The ornamental design for a chemical dispenser for swimming pools, as shown and described.

**DESCRIPTION**

FIG. 1 is an exploded perspective view of a chemical dispenser for a swimming pool according to a first embodiment of the new design;  
 FIG. 2 is a perspective view thereof;  
 FIG. 3 is a front view thereof;  
 FIG. 4 is a side view thereof;  
 FIG. 5 is an opposite side view thereof;  
 FIG. 6 is a top view thereof;  
 FIG. 7 is a bottom view thereof;  
 FIG. 8 is an exploded opposite side view thereof;  
 FIG. 9 is an exploded perspective view of a chemical dispenser for a swimming pool according to a second embodiment of the new design;  
 FIG. 10 is a perspective view thereof;  
 FIG. 11 is a front view thereof;  
 FIG. 12 is a side view thereof;  
 FIG. 13 is an opposite side view thereof;  
 FIG. 14 is a top view thereof;  
 FIG. 15 is a bottom view thereof; and,  
 FIG. 16 is an exploded opposite side view thereof.  
 The broken lines depict portions of the chemical dispenser for swimming pools that form no part of the claim.

**1 Claim, 14 Drawing Sheets**



(56)

**References Cited**

U.S. PATENT DOCUMENTS

D802,712 S \* 11/2017 Downie ..... D23/209  
D831,870 S \* 10/2018 Gassauer ..... D26/49  
D850,854 S \* 6/2019 Lyons ..... D7/507  
2016/0001204 A1\* 1/2016 Honermann ..... B01D 35/147  
210/232  
2018/0327291 A1\* 11/2018 Simonsen ..... C02F 1/688

\* cited by examiner

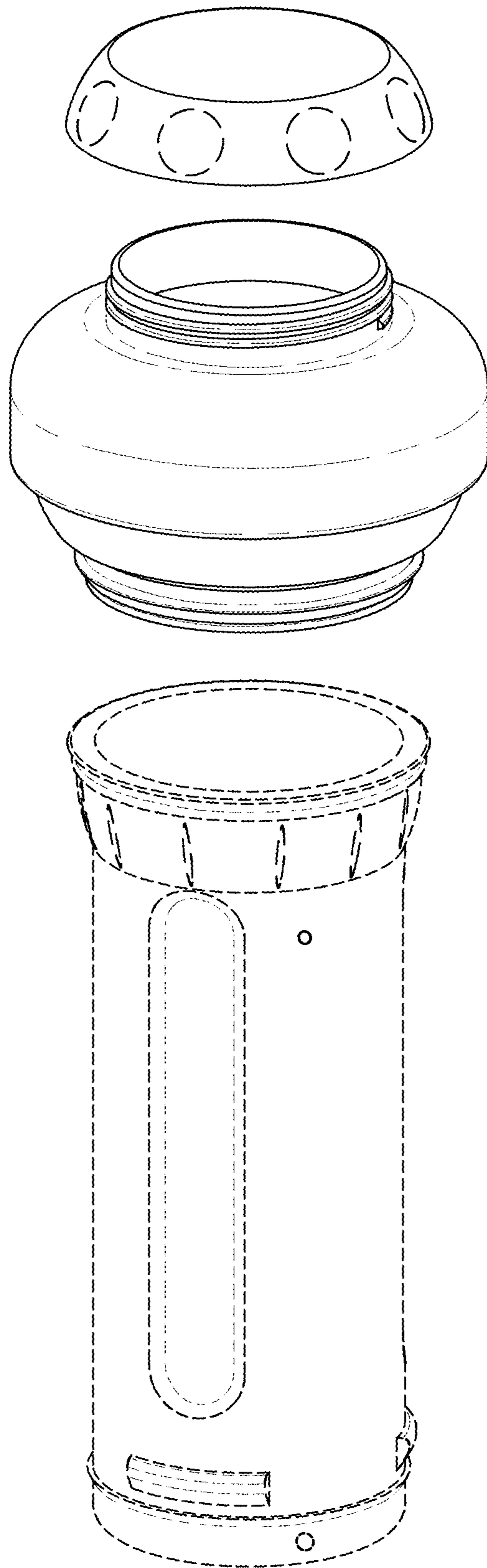


Figure 1

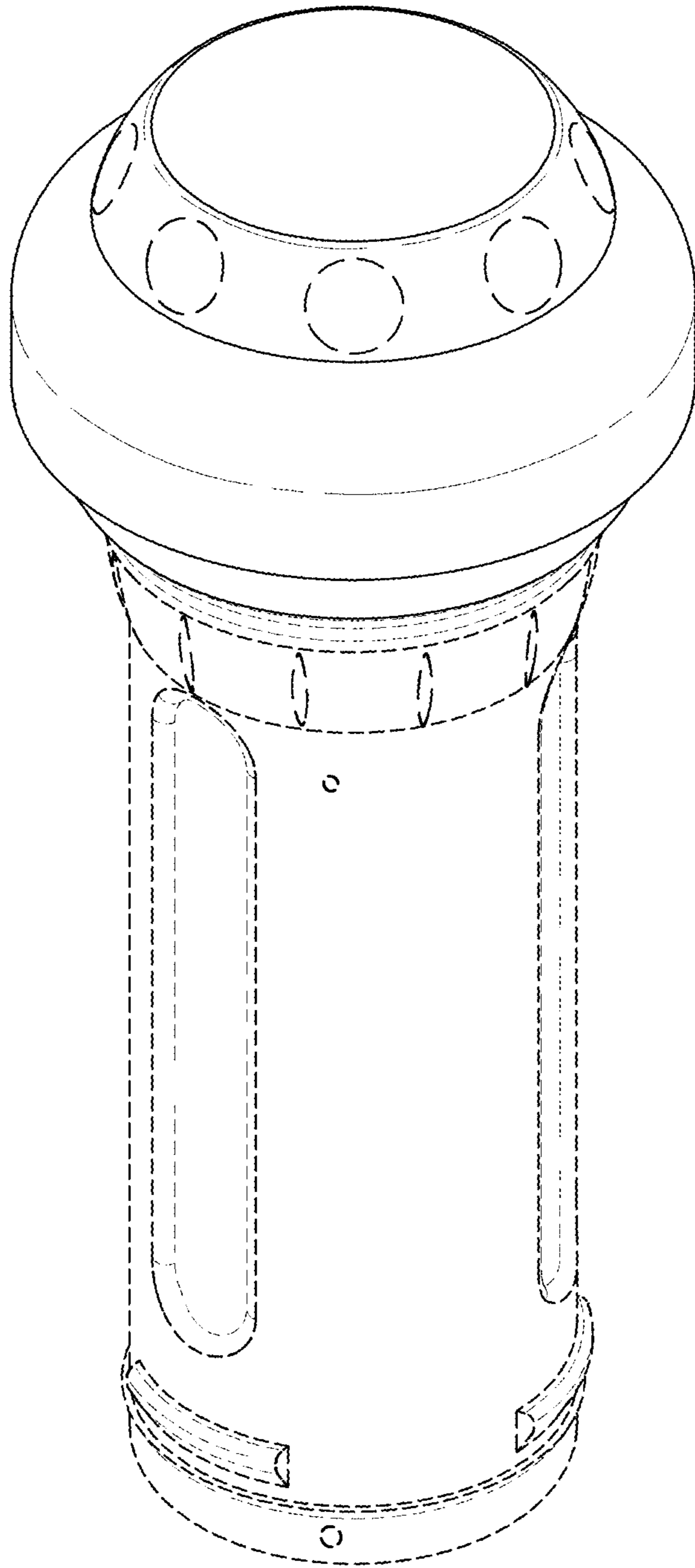


Figure 2

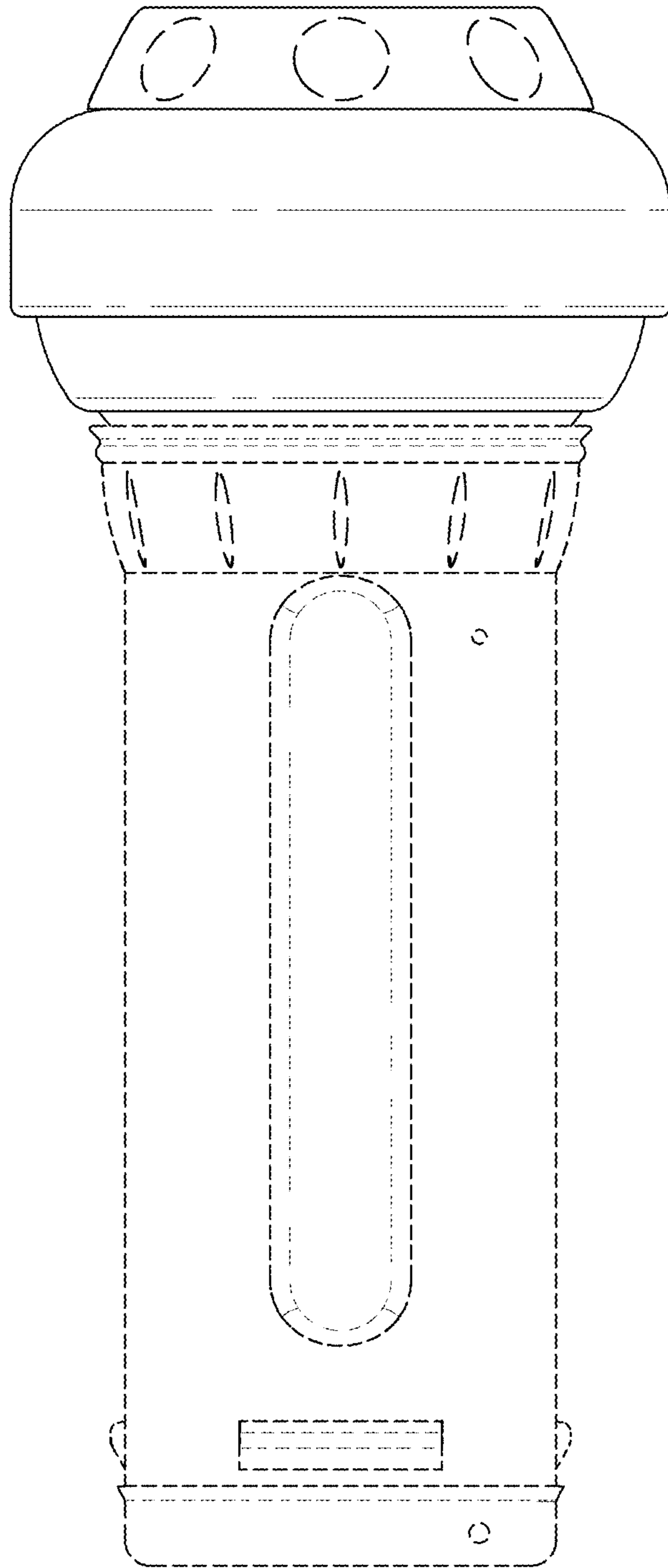


Figure 3

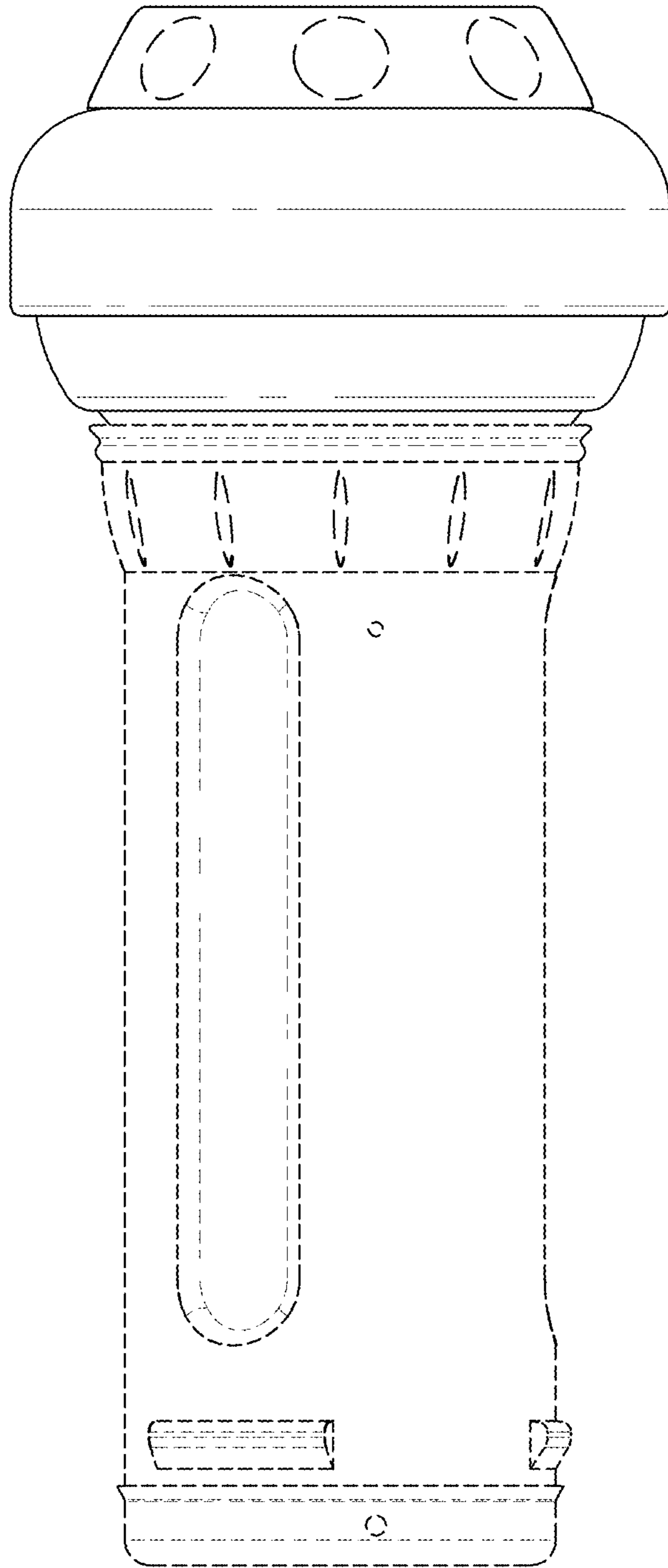


Figure 4

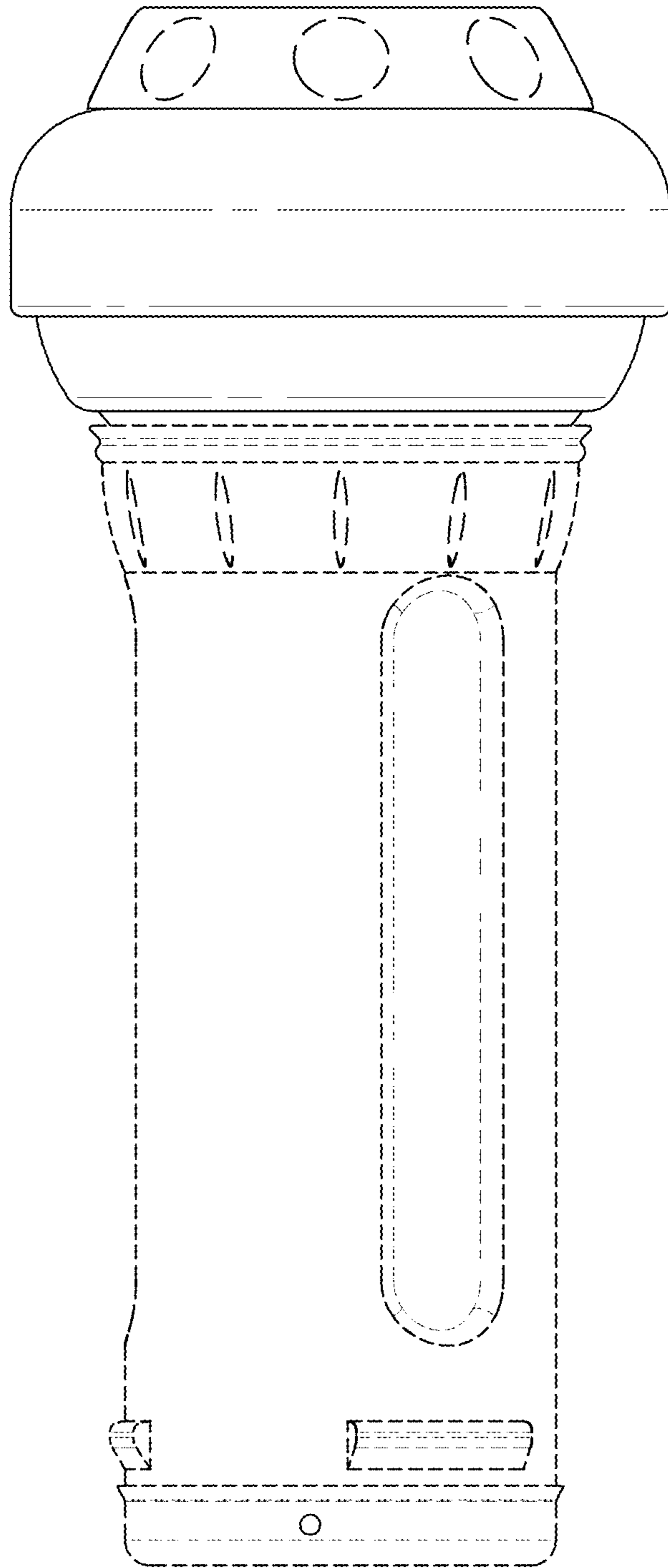


Figure 5

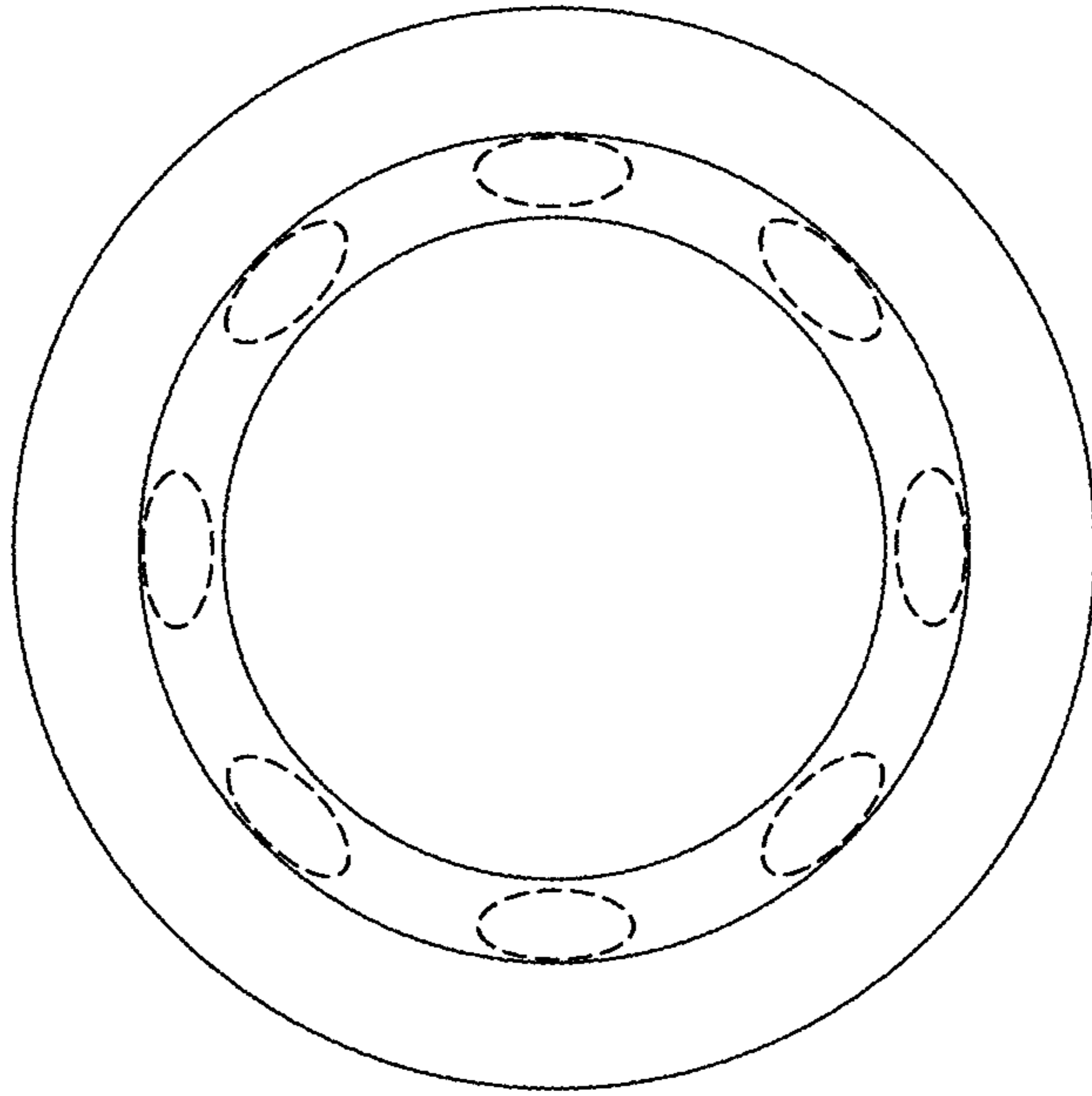


Figure 6

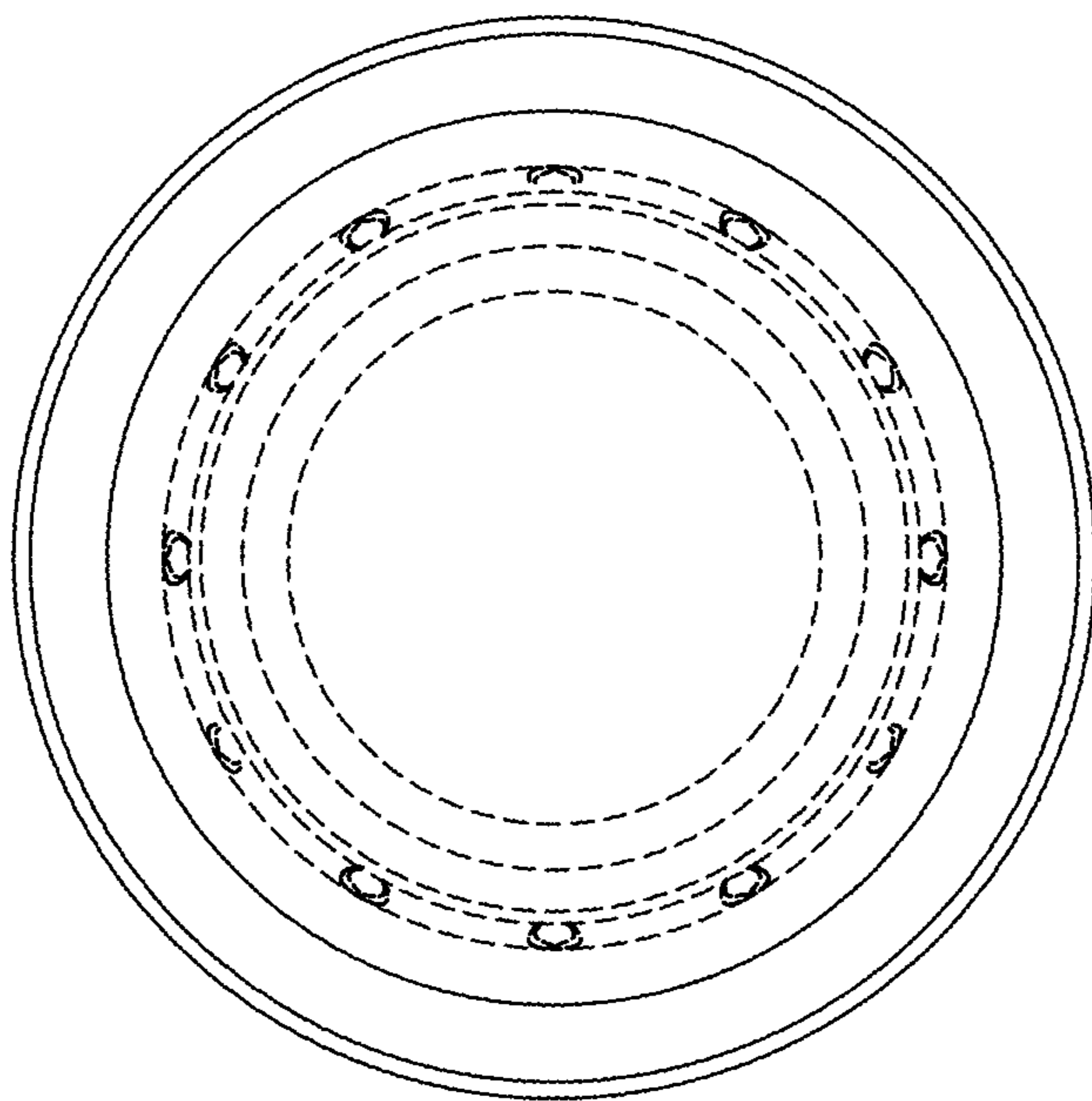


Figure 7



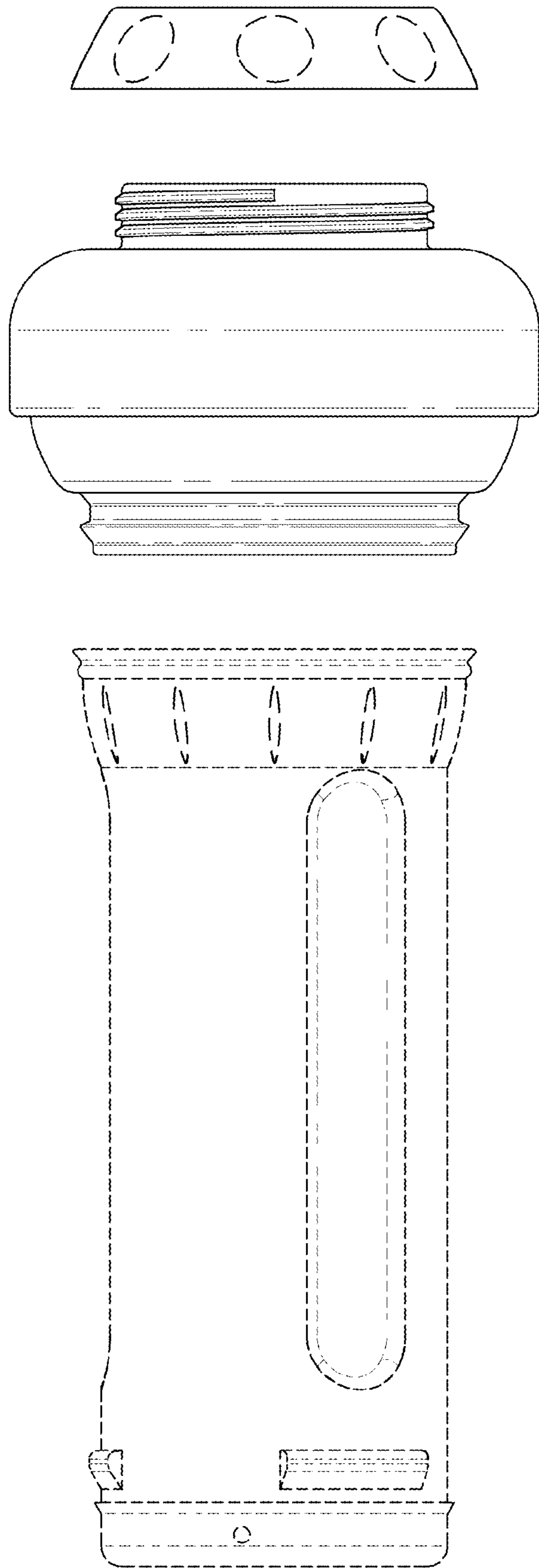


Figure 8

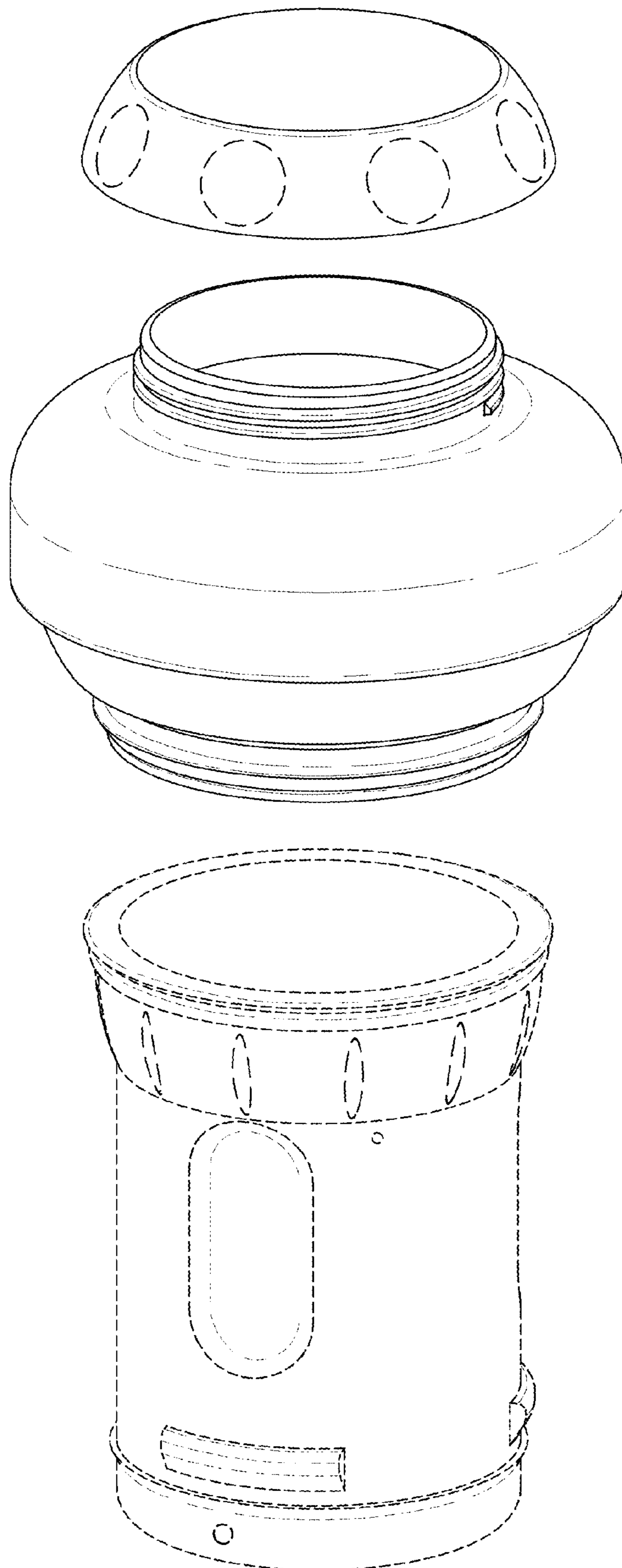


Figure 9

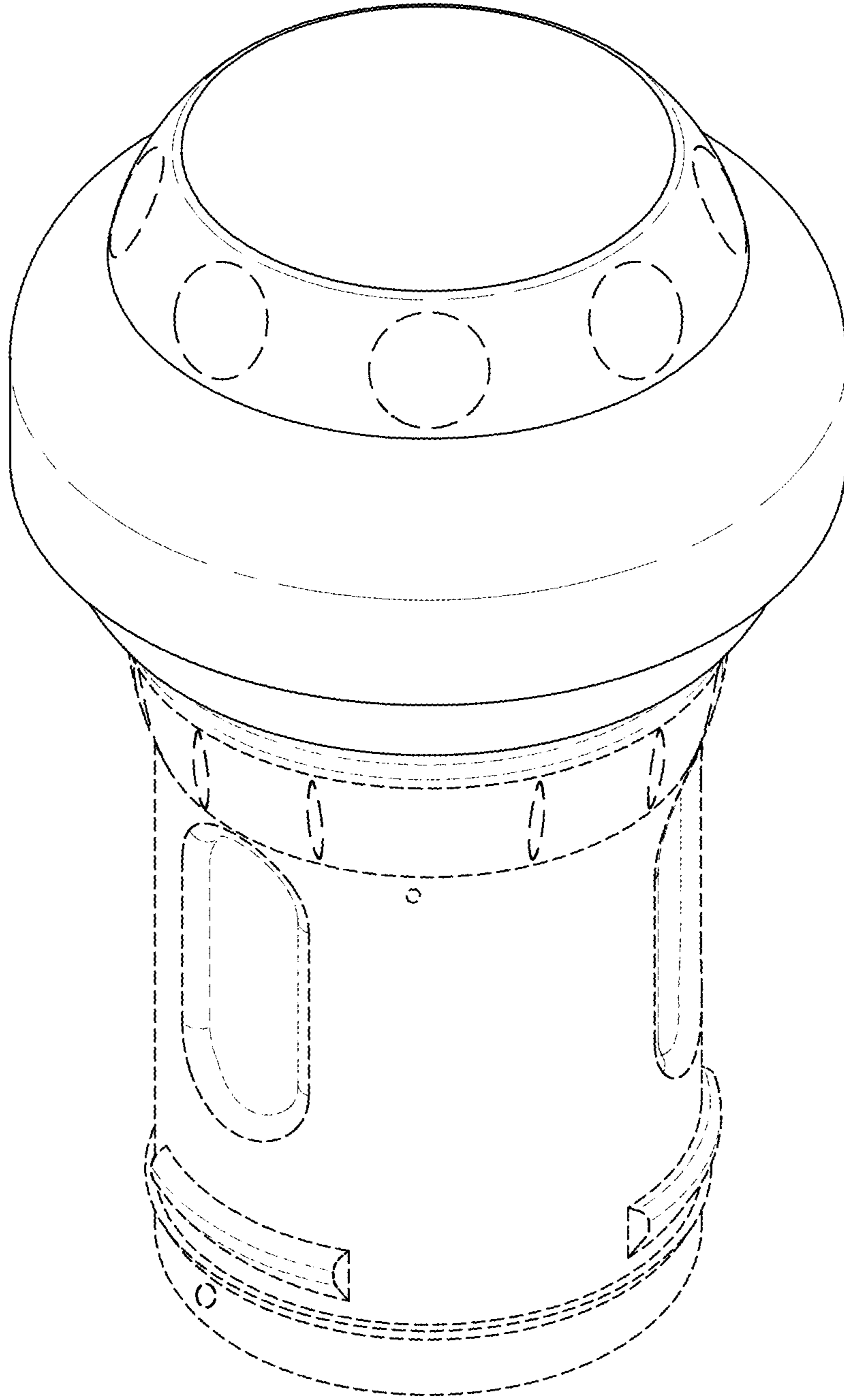


Figure 10

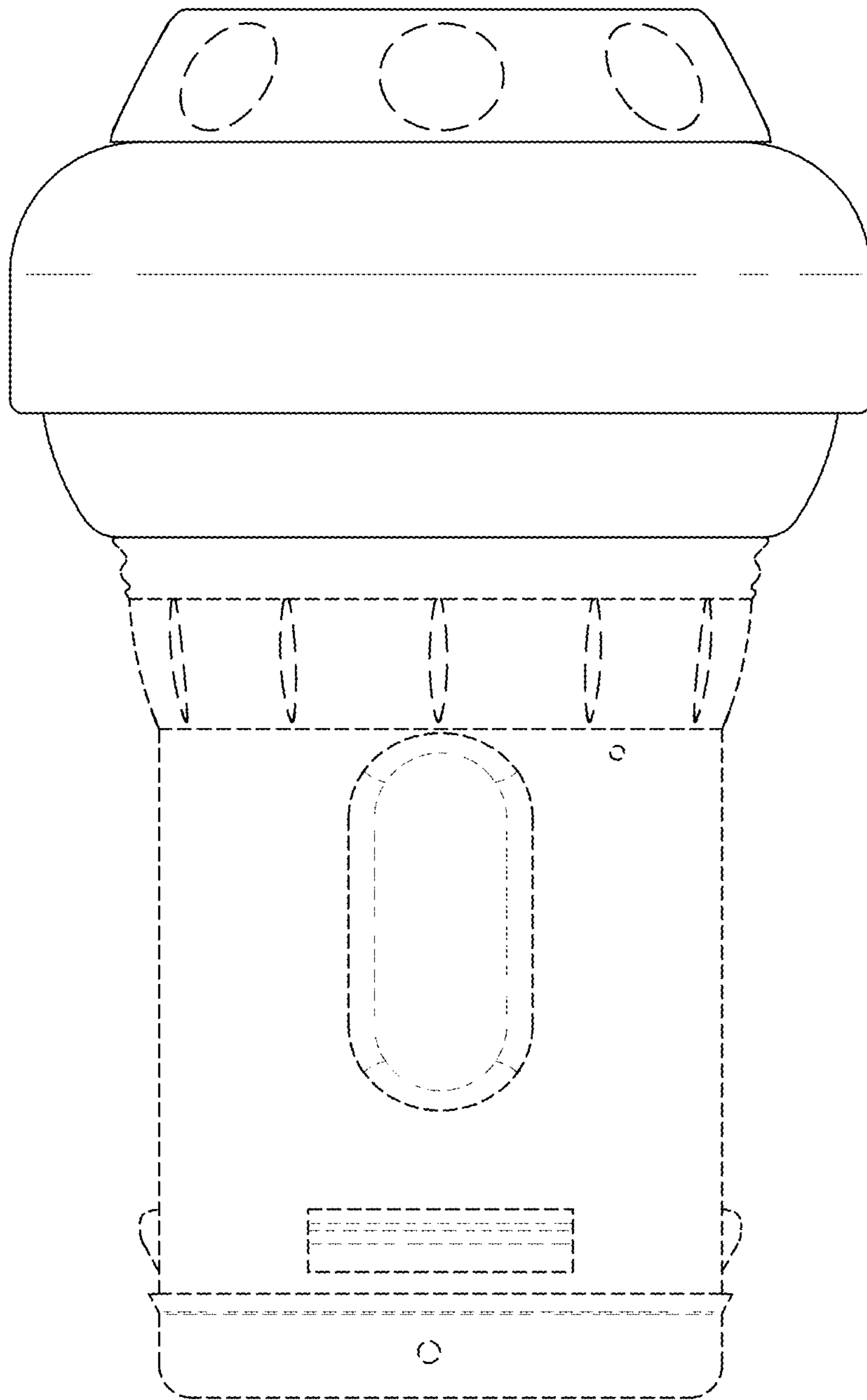


Figure 11

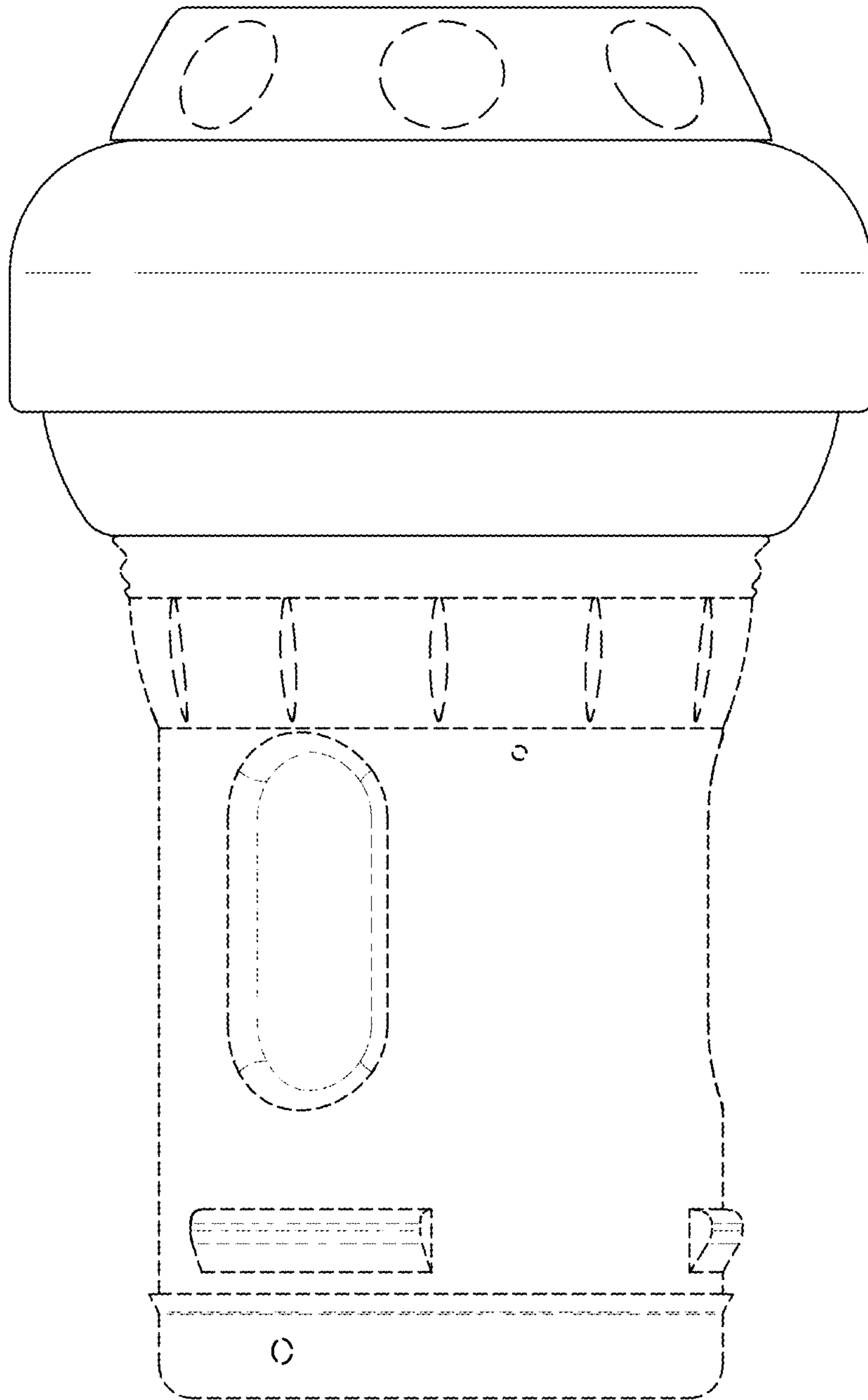


Figure 12

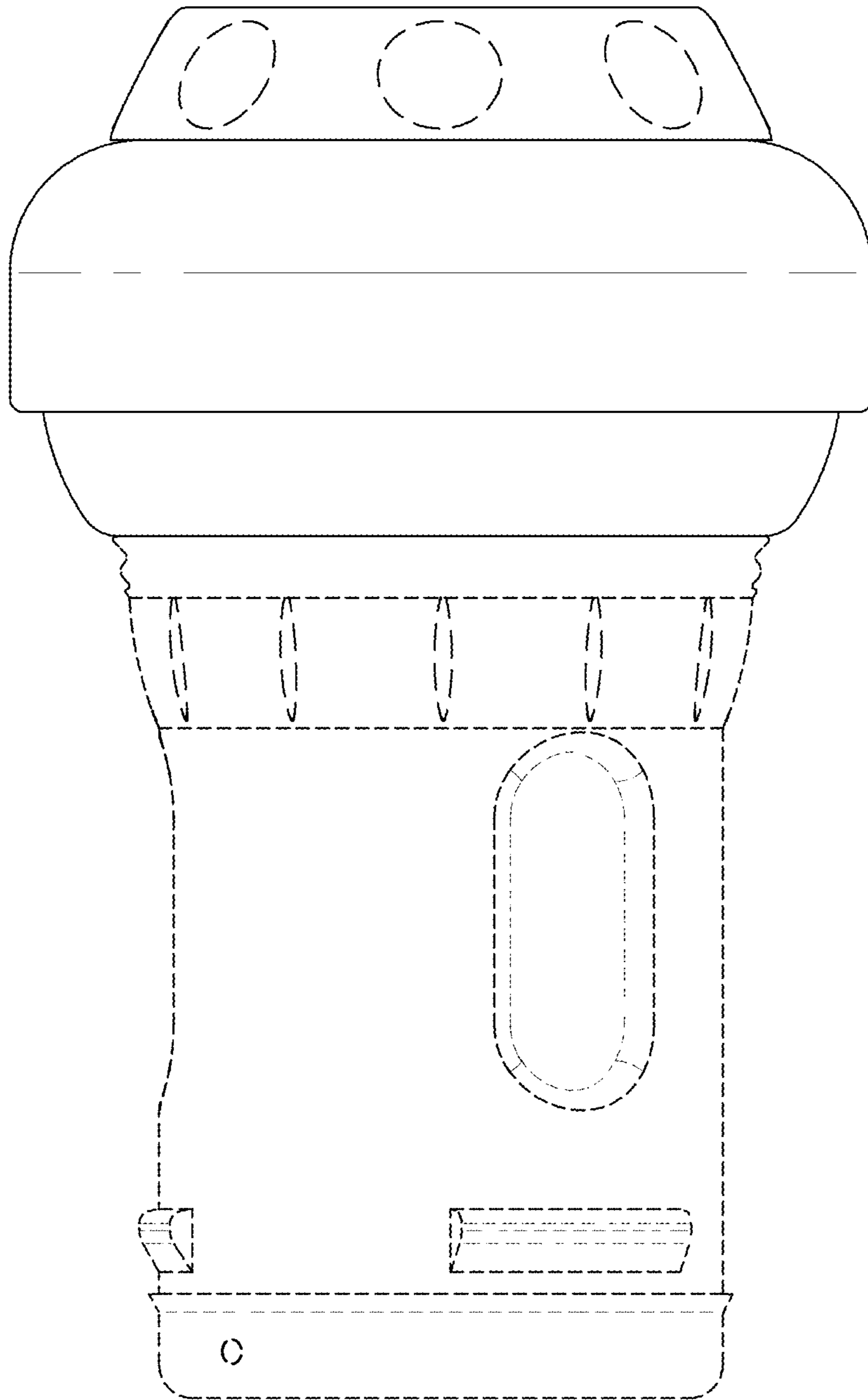


Figure 13

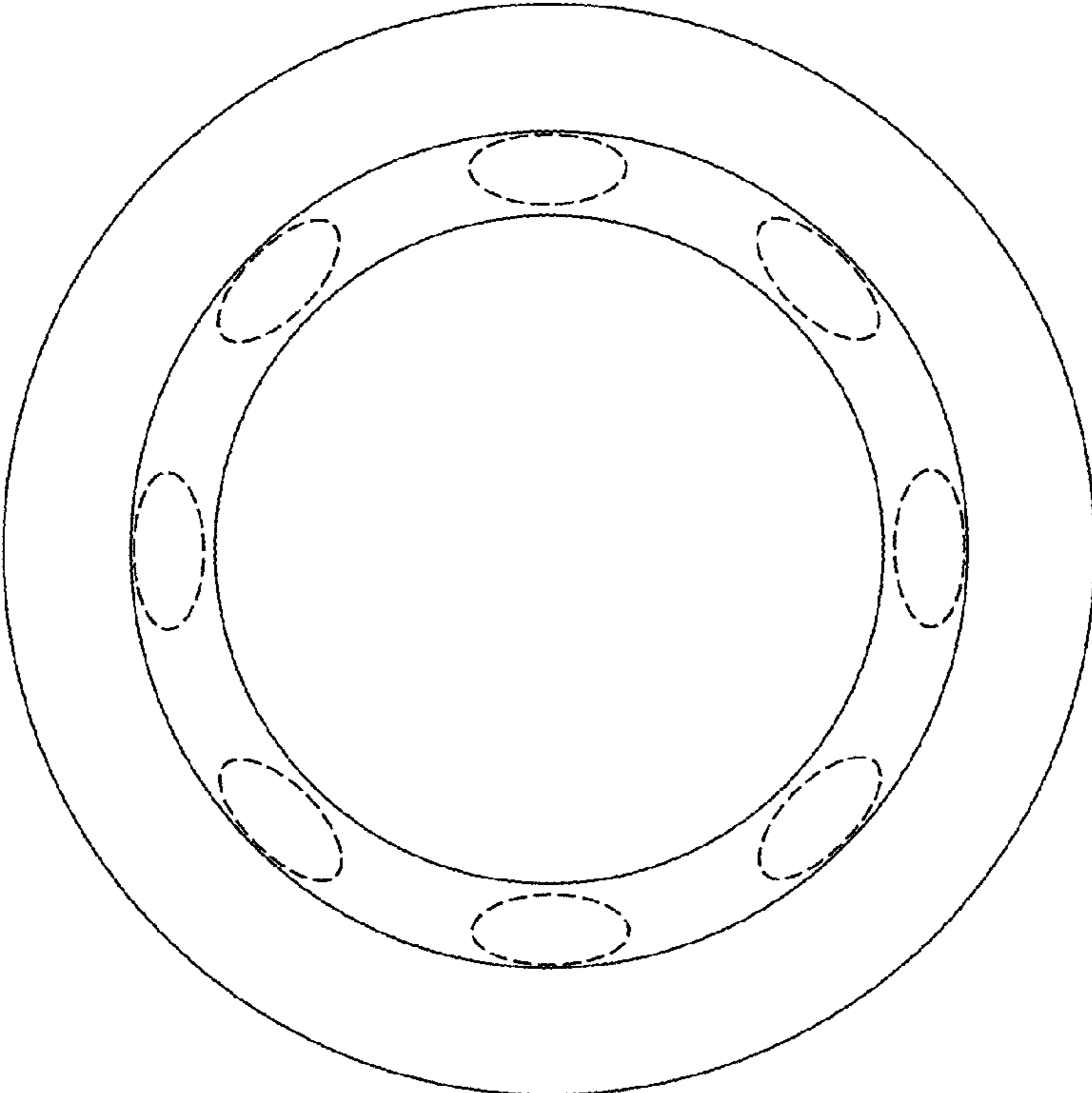


Figure 14

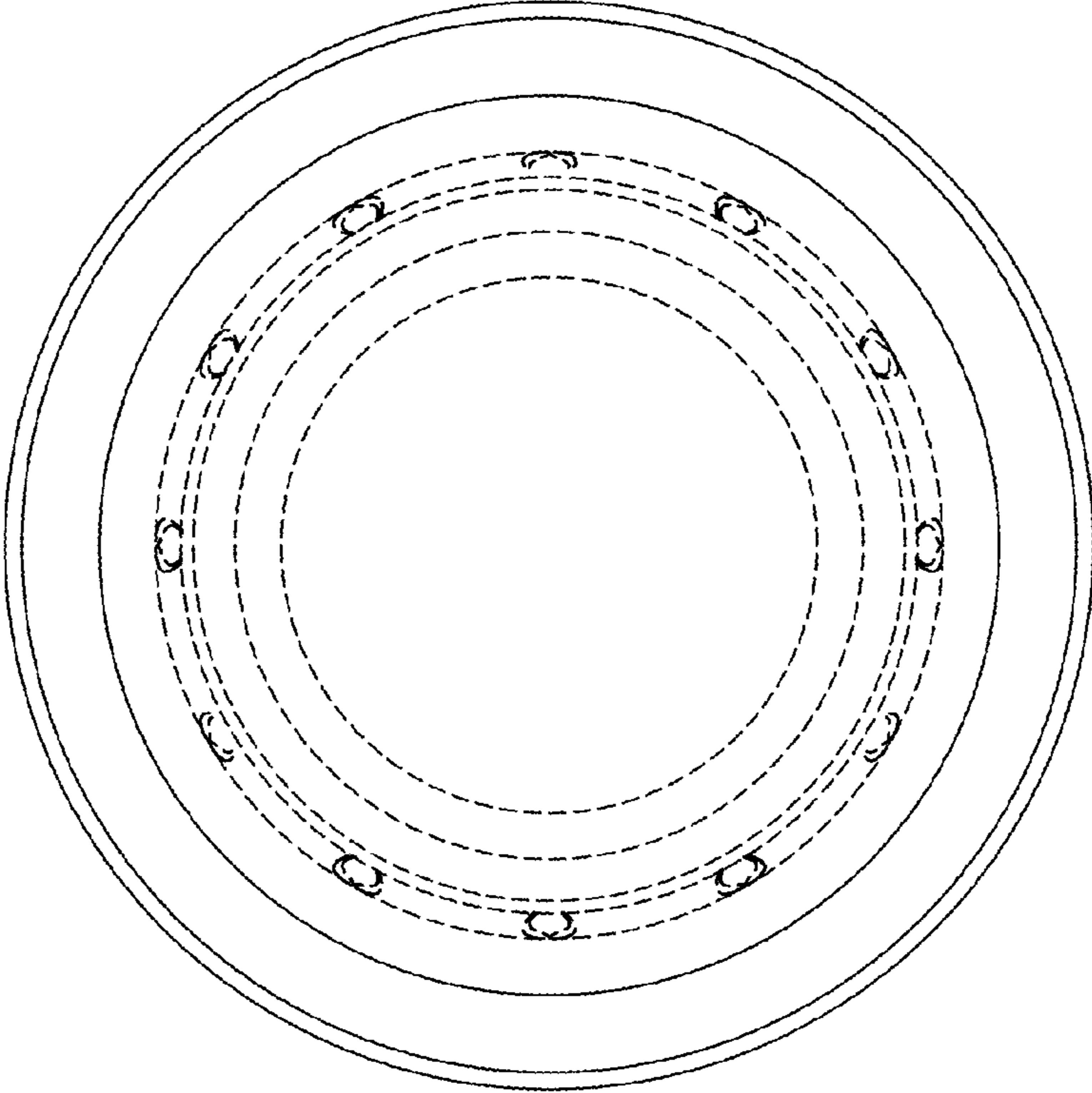


Figure 15

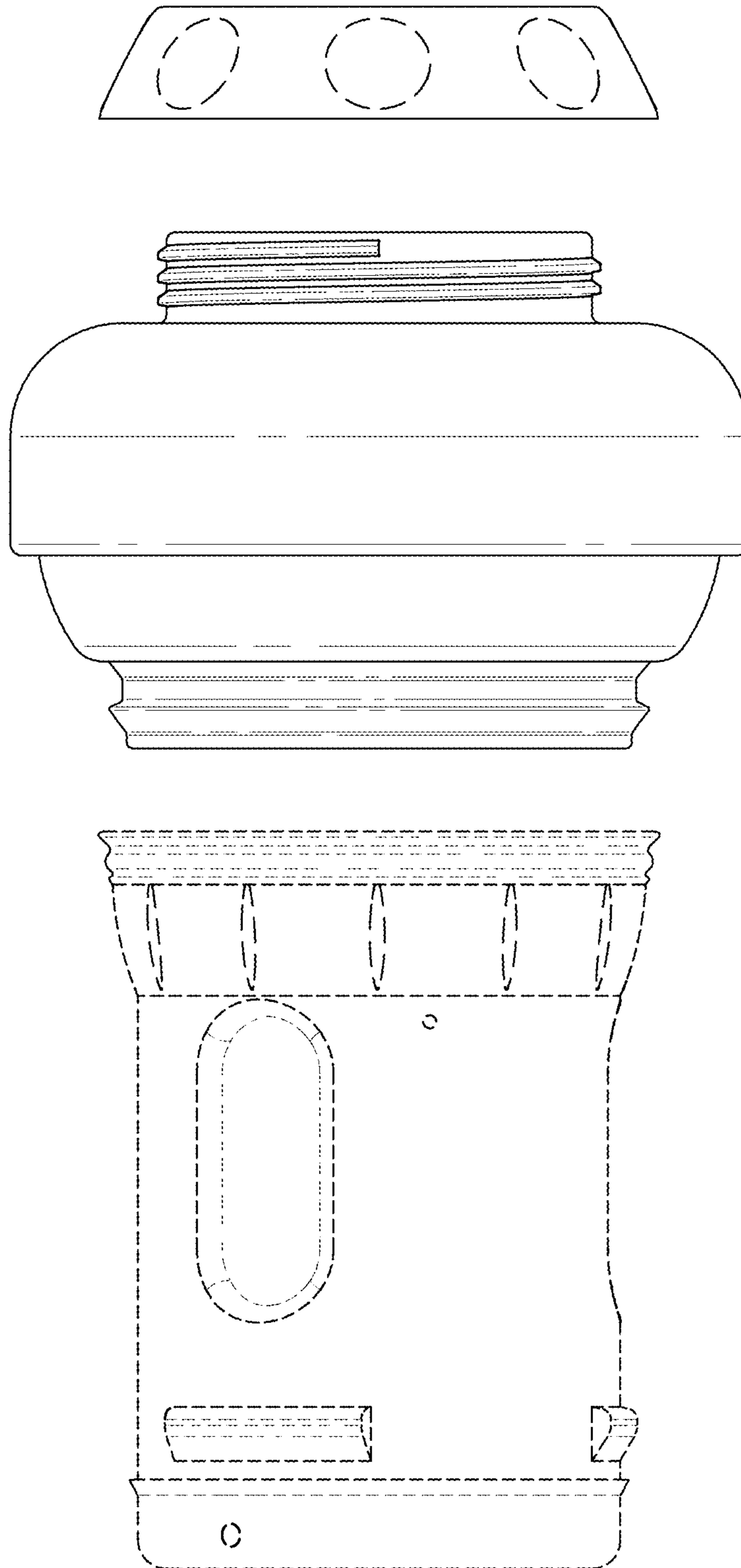


Figure 16



UNITED STATES PATENT AND TRADEMARK OFFICE  
**CERTIFICATE OF CORRECTION**

PATENT NO. : D897,491 S  
APPLICATION NO. : 29/671677  
DATED : September 29, 2020  
INVENTOR(S) : David Robert James Moore and Glen Robert Fowler

Page 1 of 1

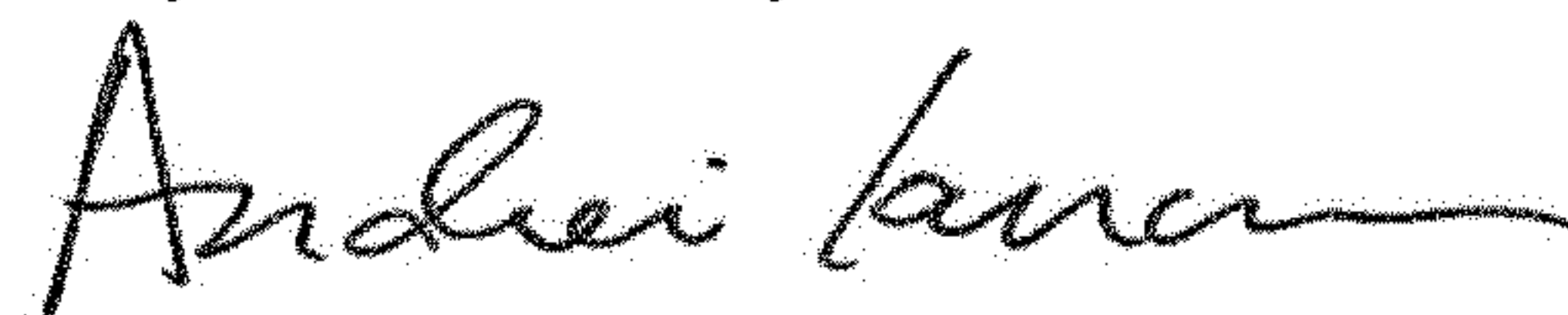
It is certified that error appears in the above-identified patent and that said Letters Patent is hereby corrected as shown below:

On the Title Page

Below the "(22) Filed:" section, please add the following section:

(30) Foreign Application Priority Data  
May 29, 2018 (ZA) .....A2018/00826  
May 29, 2018 (ZA) .....A2018/00828

Signed and Sealed this  
Twenty-second Day of December, 2020



Andrei Iancu  
*Director of the United States Patent and Trademark Office*