



US00D897487S

(12) **United States Design Patent**  
**Brown**

(10) **Patent No.:** **US D897,487 S**

(45) **Date of Patent:** **\*\* Sep. 29, 2020**

(54) **FISHING ROD SPINNING GRIP**

(71) Applicant: **DO OUTDOORS LLC**, Springfield, MO (US)

(72) Inventor: **Robert F. Brown**, Strafford, MO (US)

(73) Assignee: **DO OUTDOORS, LLC**, Springfield, MO (US)

(\*\*) Term: **15 Years**

(21) Appl. No.: **29/690,780**

(22) Filed: **May 10, 2019**

(51) **LOC (12) Cl.** ..... **22-05**

(52) **U.S. Cl.**  
USPC ..... **D22/142**

(58) **Field of Classification Search**  
USPC ..... D22/142, 137-139; 43/20, 22-23  
CPC ..... A01K 87/00; A01K 87/06; A01K 87/08  
See application file for complete search history.

(56) **References Cited**

U.S. PATENT DOCUMENTS

D347,878 S \* 6/1994 Grice ..... D22/142  
D749,189 S \* 2/2016 Noraker ..... D22/142

D847,941 S \* 5/2019 Kaihara ..... D22/142  
2003/0145509 A1\* 8/2003 Ito ..... A01K 87/06  
43/22  
2015/0013210 A1\* 1/2015 Jenkins ..... A01K 87/06  
43/23

\* cited by examiner

*Primary Examiner* — Catherine R Oliver-Garcia

(74) *Attorney, Agent, or Firm* — K&L Gates LLP

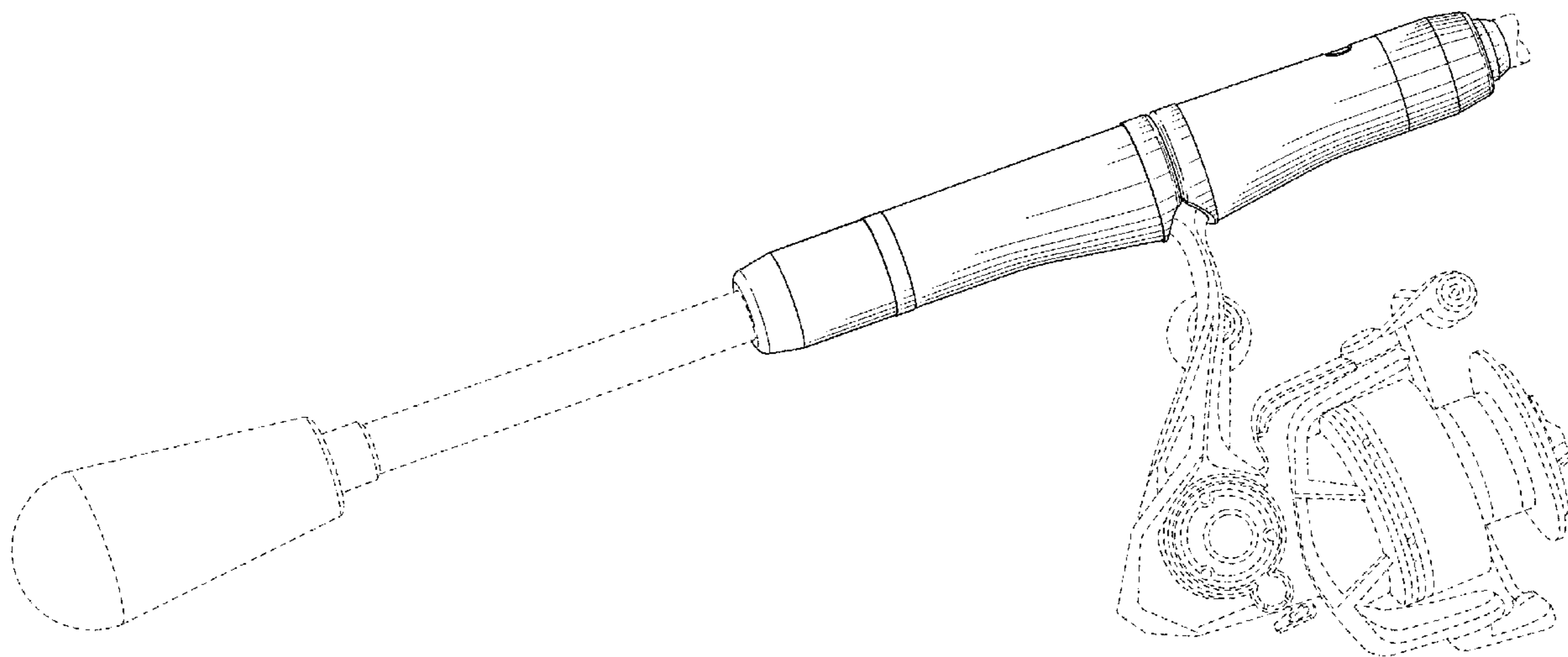
(57) **CLAIM**

The ornamental design for a fishing rod spinning grip, as shown and described.

**DESCRIPTION**

FIG. 1 is a side perspective view of a spinning grip attachment with a spinning rod in accordance with the new design; FIG. 2 is a first side view thereof; FIG. 3 is a second side view thereof; FIG. 4 is a top view thereof; FIG. 5 is a bottom view thereof; and, FIG. 6 is an exploded perspective view of FIG. 1 as it would appear prior to being secured to a fishing rod and reel. The broken lines shown in the drawings are only provided to illustrate the environment of the design and form no part of the claimed design.

**1 Claim, 4 Drawing Sheets**



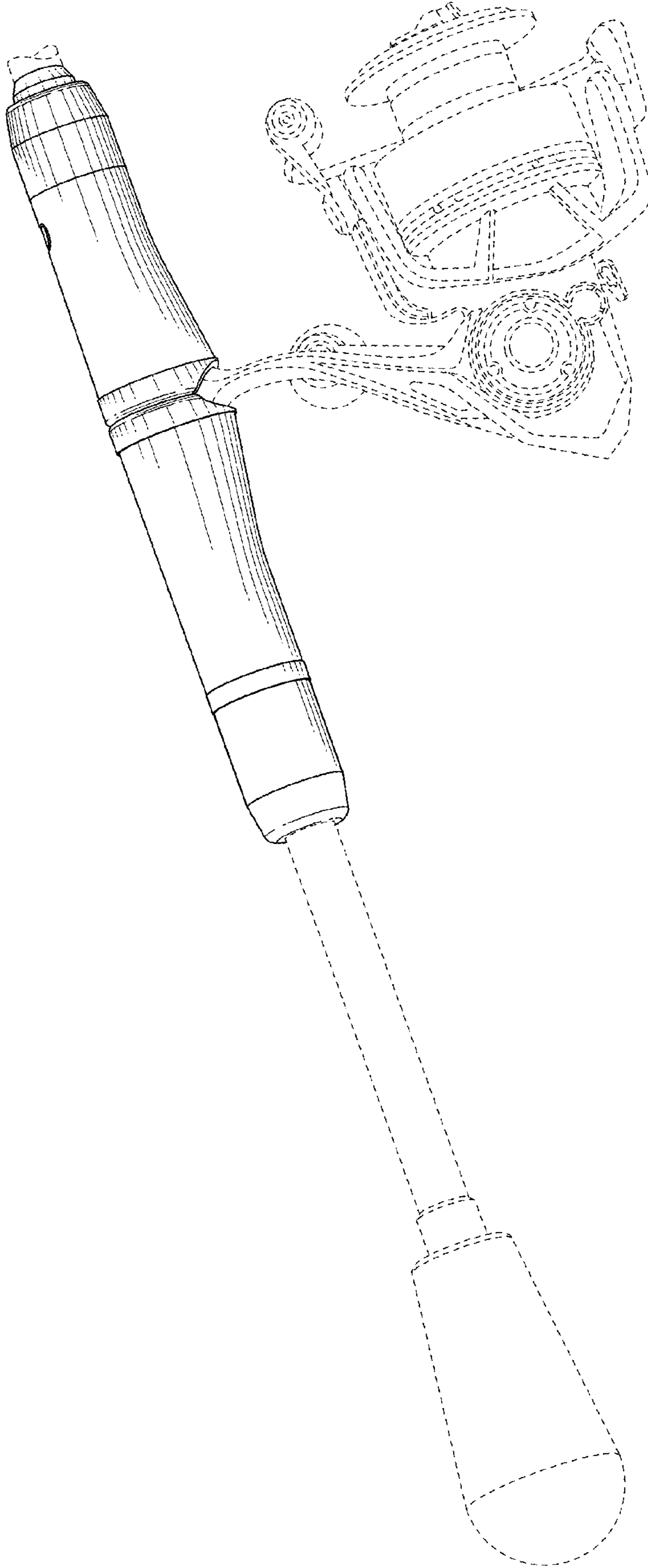


FIG. 1

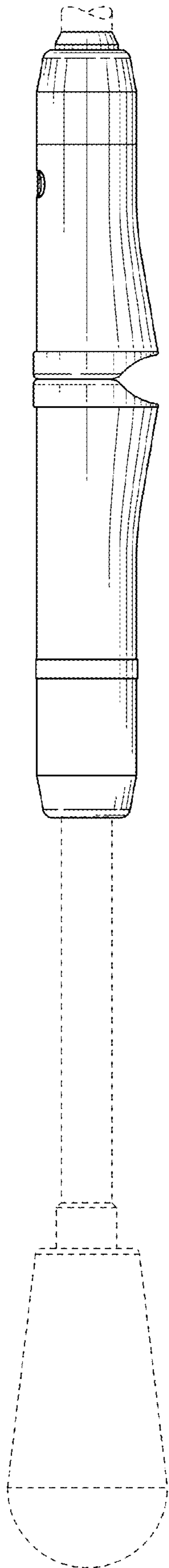


FIG. 2

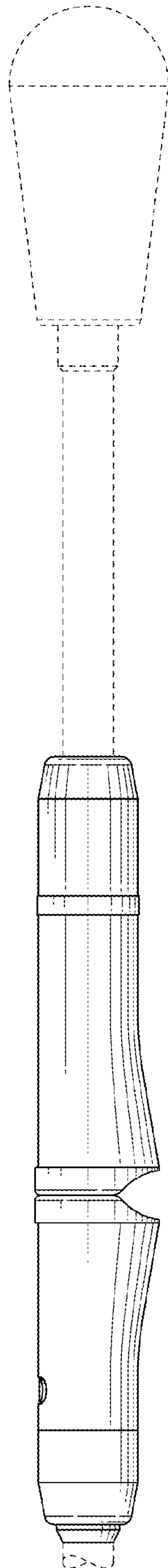


FIG. 3

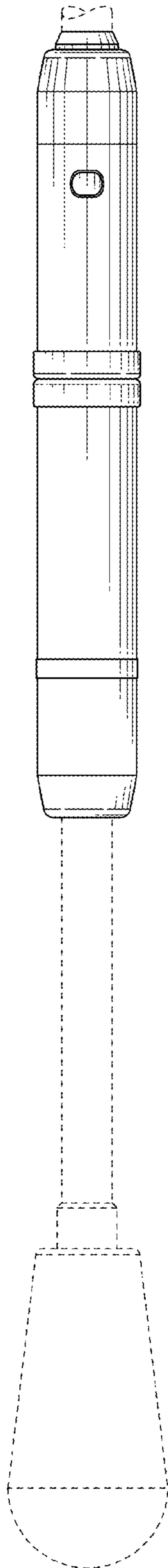


FIG. 4

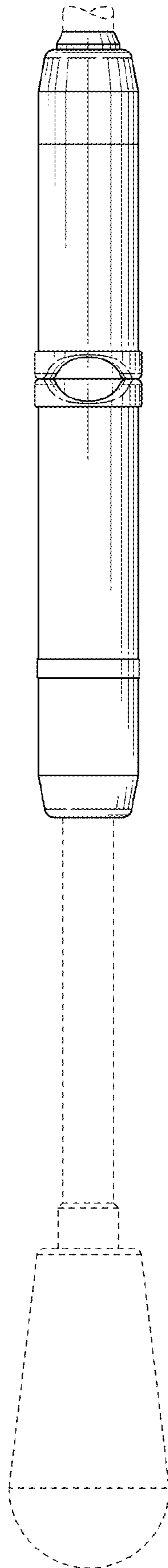


FIG. 5

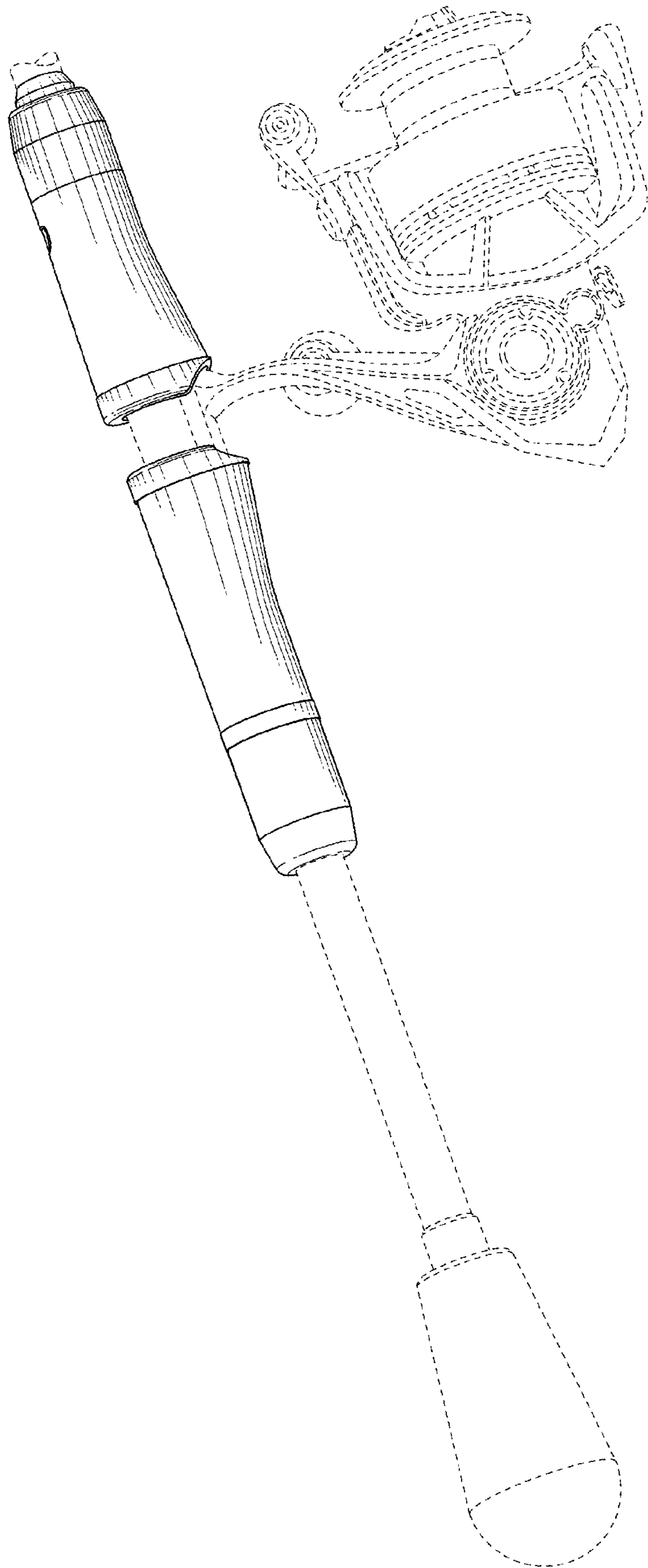


FIG. 6