



US00D897485S

(12) **United States Design Patent** (10) **Patent No.:** **US D897,485 S**  
**He** (45) **Date of Patent:** **\*\* Sep. 29, 2020**

(54) **ANIMAL REPELLER**

(71) Applicant: **Chao He**, Shenzhen (CN)

(72) Inventor: **Chao He**, Shenzhen (CN)

(\*\*) Term: **15 Years**

(21) Appl. No.: **29/693,883**

(22) Filed: **Jun. 5, 2019**

(51) **LOC (12) Cl.** ..... **22-06**

(52) **U.S. Cl.**  
USPC ..... **D22/120**

(58) **Field of Classification Search**  
USPC ..... D22/119–120; 43/1, 98, 107, 121, 124,  
43/131, 132.1; 119/719; D10/104.1;  
D23/366–369  
CPC ..... A01M 1/08; A01M 1/106; A01M 1/026;  
A01M 1/2011; A01M 23/38; A01M  
29/00; A01M 29/12; A01M 29/16; A01M  
29/34; A01M 29/28; A01M 2200/011;  
A01M 2200/012; A01K 3/005; A01N  
25/20; A01N 37/44; A01N 43/16; A01N  
49/00

See application file for complete search history.

(56) **References Cited**

**U.S. PATENT DOCUMENTS**

D558,296 S \* 12/2007 Krause ..... D22/120  
7,481,021 B2 \* 1/2009 Riddell ..... A01M 29/26  
43/1

D605,067 S \* 12/2009 Dir ..... D10/104.1  
D777,876 S \* 1/2017 Zhang ..... D22/120  
D839,987 S \* 2/2019 Dai ..... D22/120  
D880,646 S \* 4/2020 Gu ..... D22/120  
D880,647 S \* 4/2020 Gu ..... D22/120  
D884,116 S \* 5/2020 Wendling ..... D22/120  
2014/0336263 A1 \* 11/2014 Krebs ..... A01M 29/00  
119/712

\* cited by examiner

*Primary Examiner* — Catherine R Oliver-Garcia  
(74) *Attorney, Agent, or Firm* — Che-Yang Chen; Law  
Office of Michael Chen

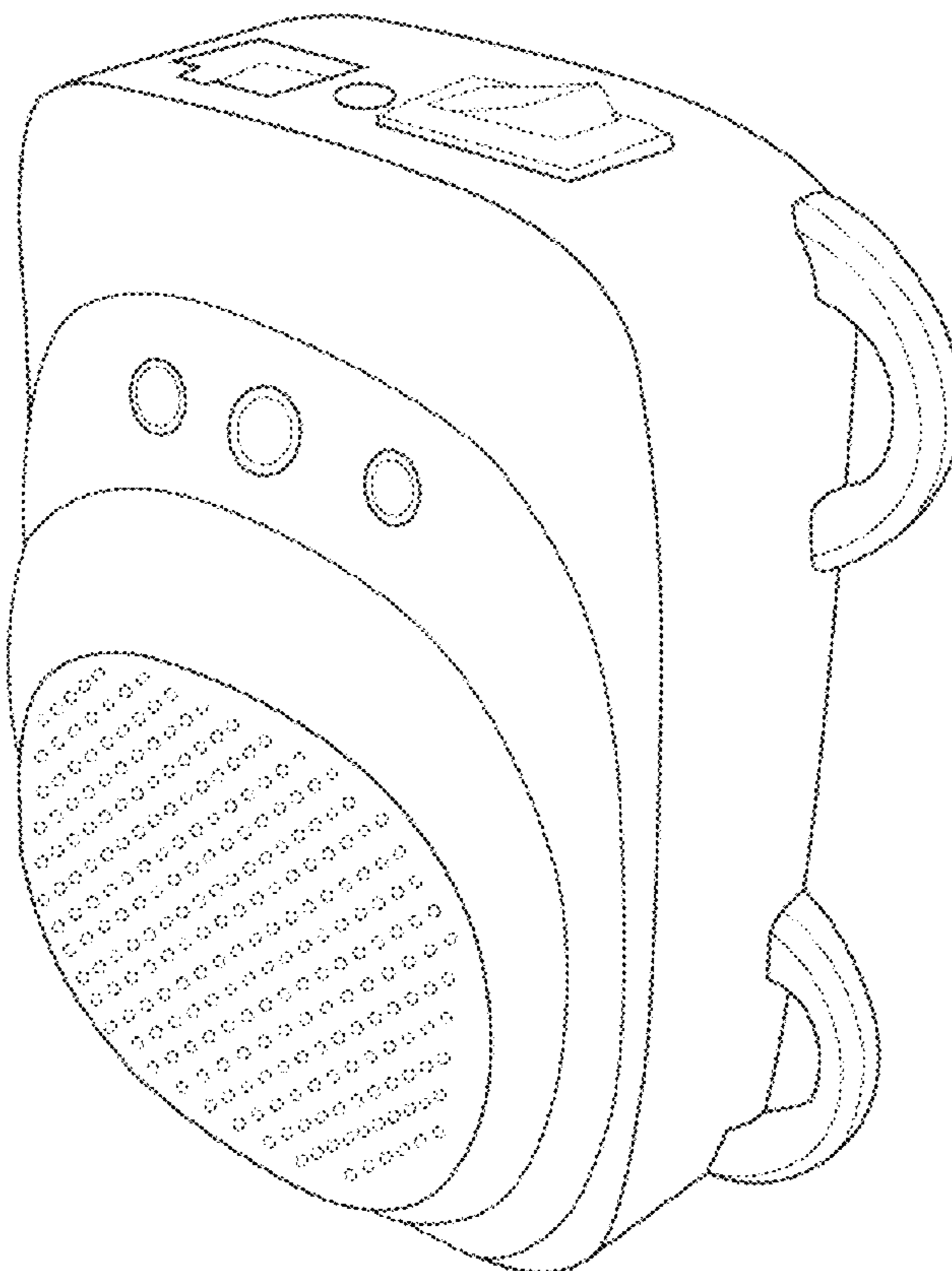
(57) **CLAIM**

The ornamental design for an animal repeller, as shown and described.

**DESCRIPTION**

FIG. 1 is a perspective view of the animal repeller showing my new design;  
FIG. 2 is a front elevational view thereof;  
FIG. 3 is a rear elevational view thereof;  
FIG. 4 is a left side elevational view thereof;  
FIG. 5 is a right side elevational view thereof;  
FIG. 6 is a top plan view thereof; and,  
FIG. 7 is a bottom plan view thereof.

**1 Claim, 6 Drawing Sheets**



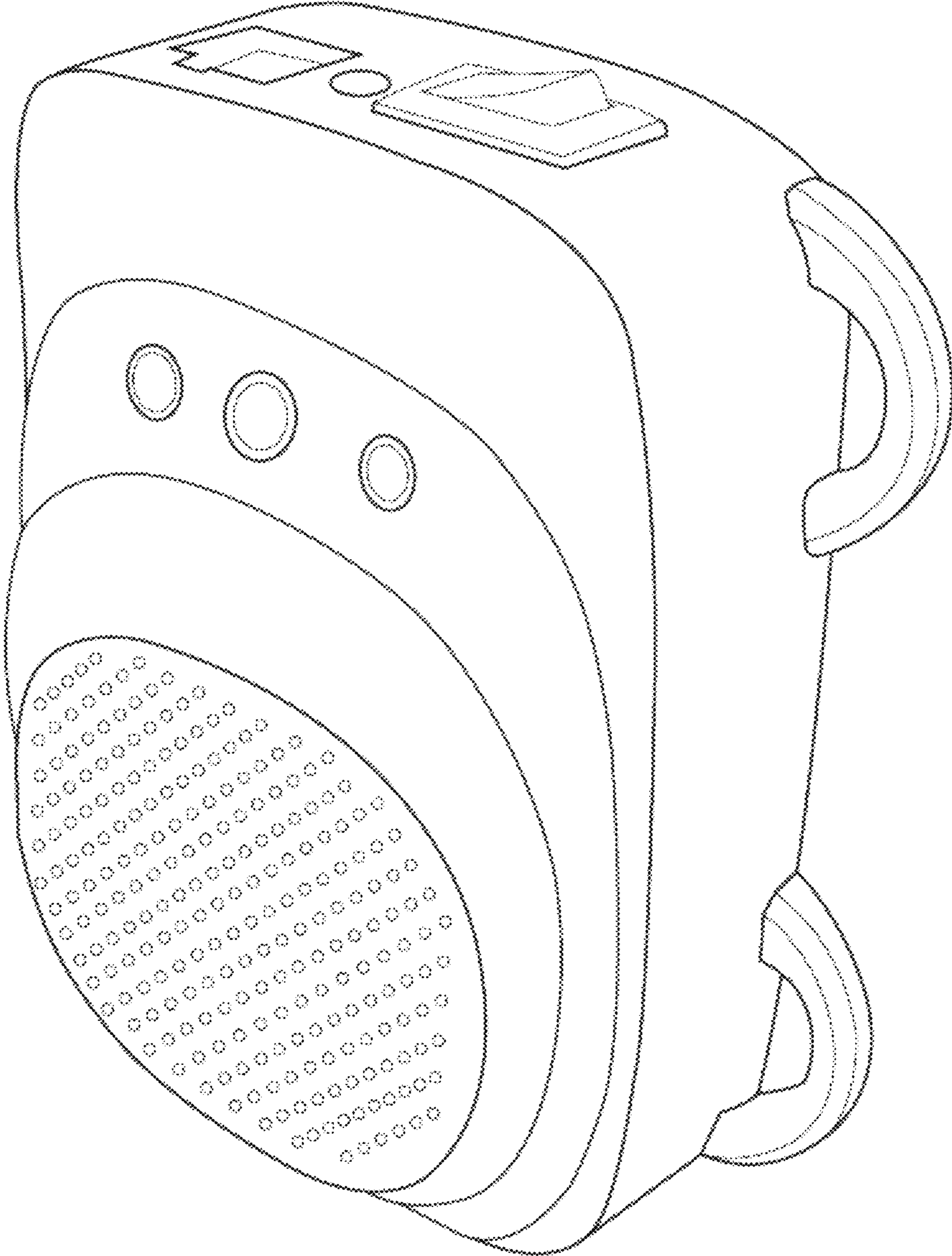


FIG. 1

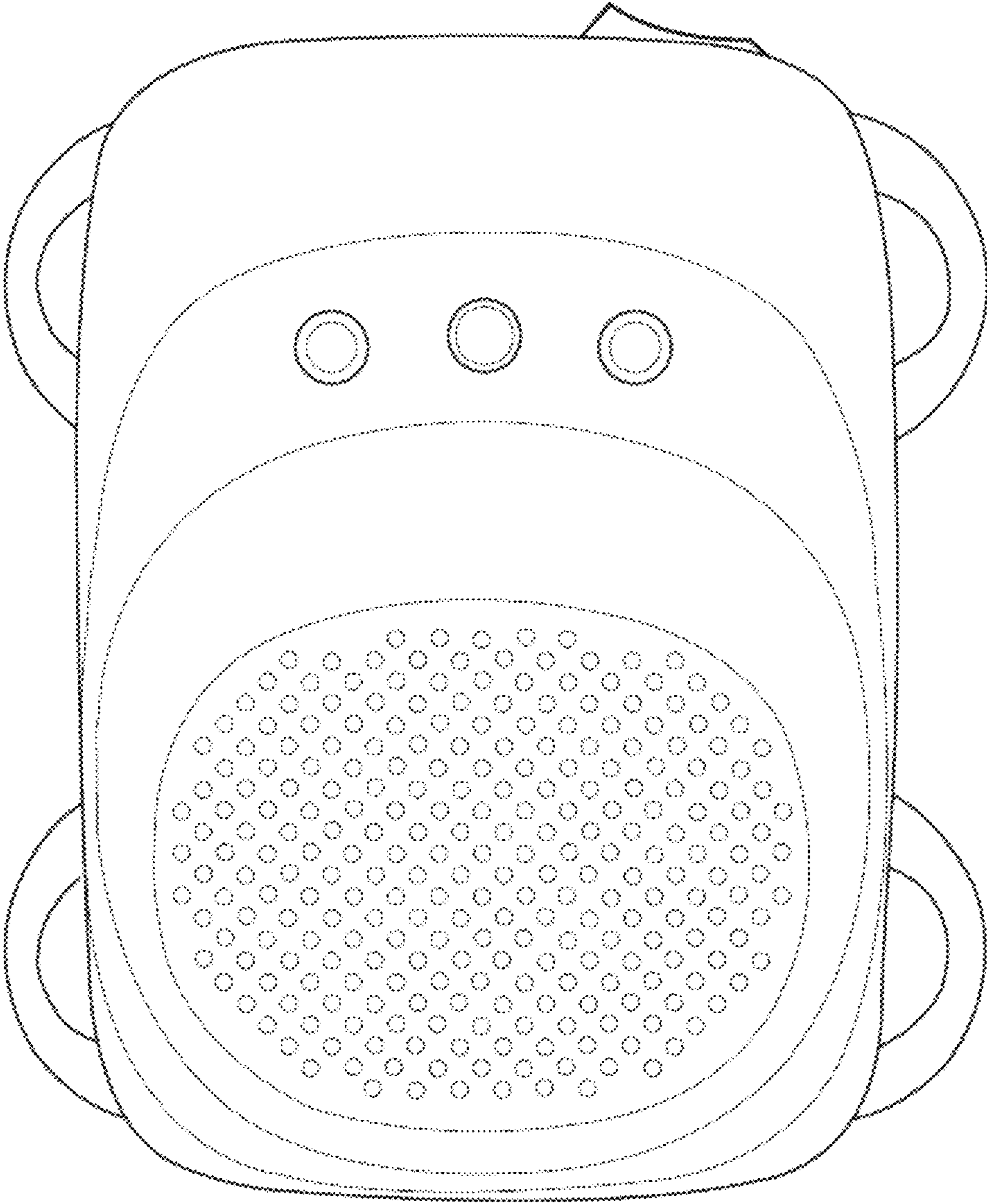


FIG. 2



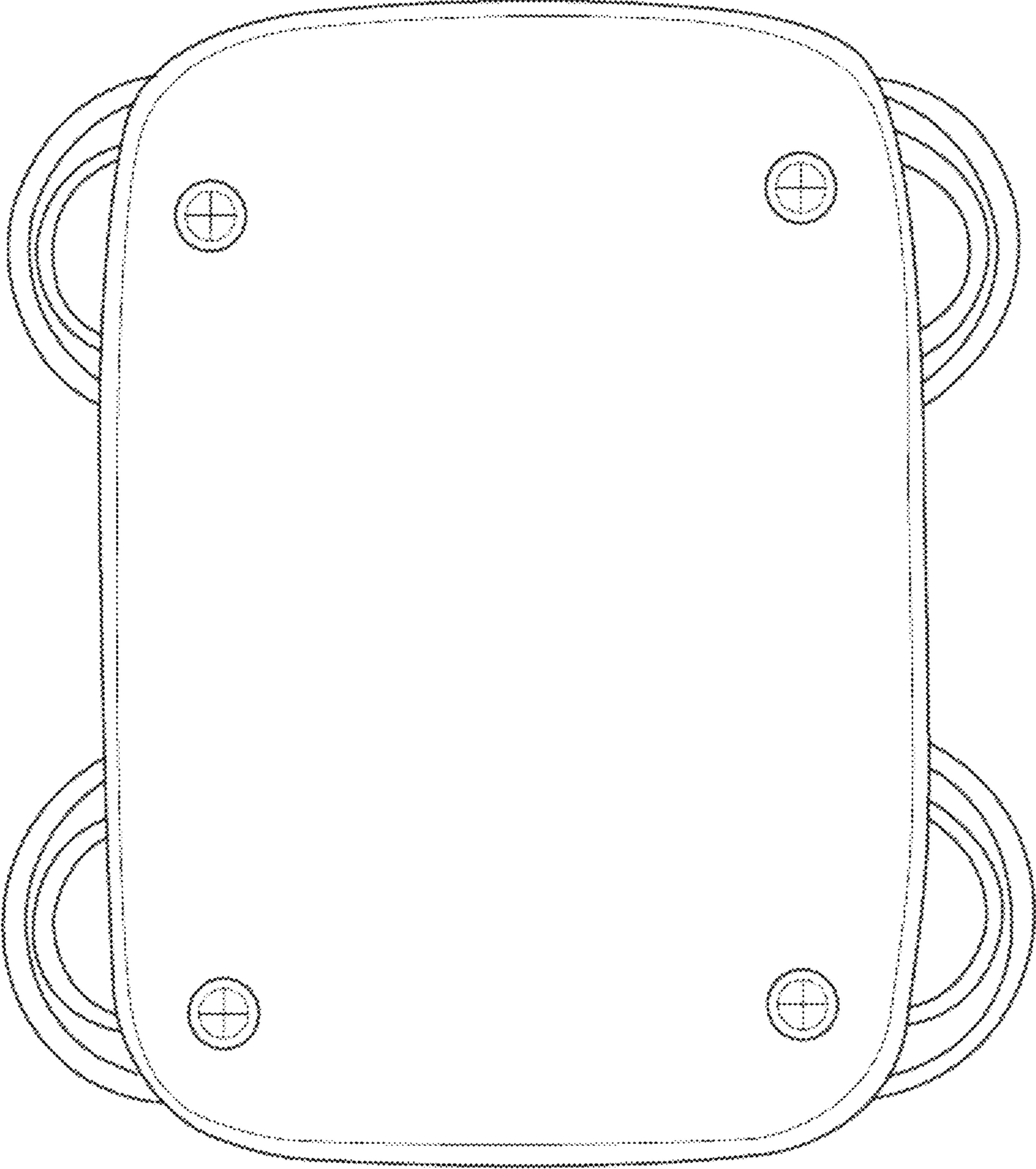


FIG. 3

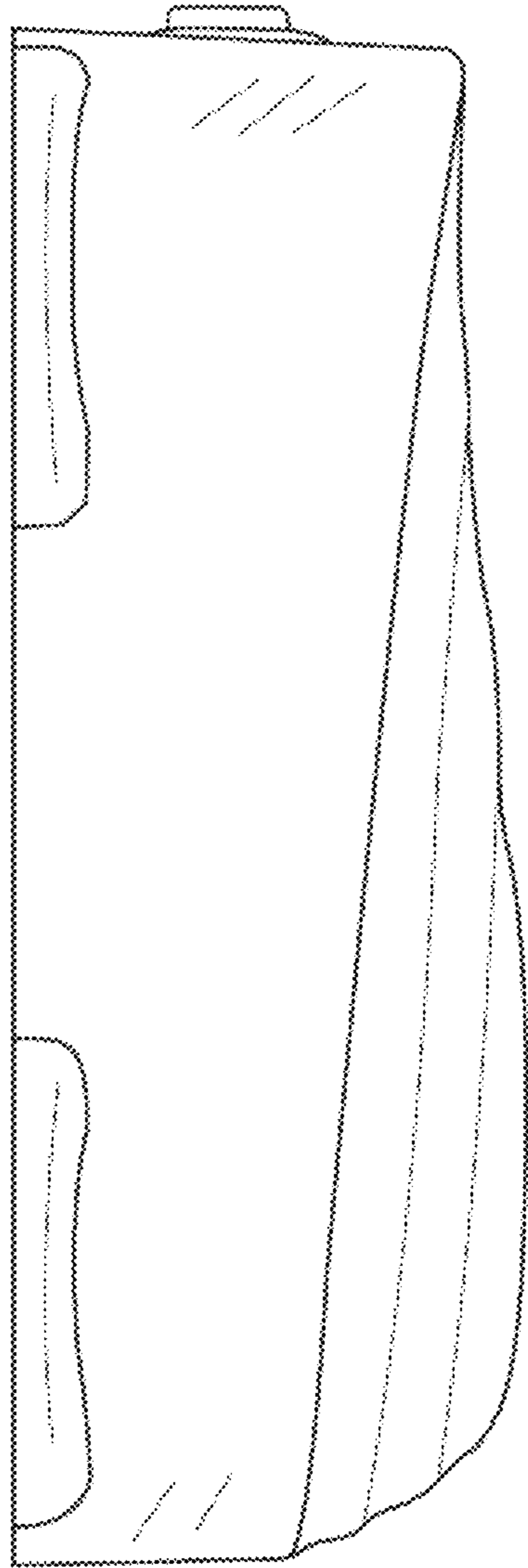


FIG. 4

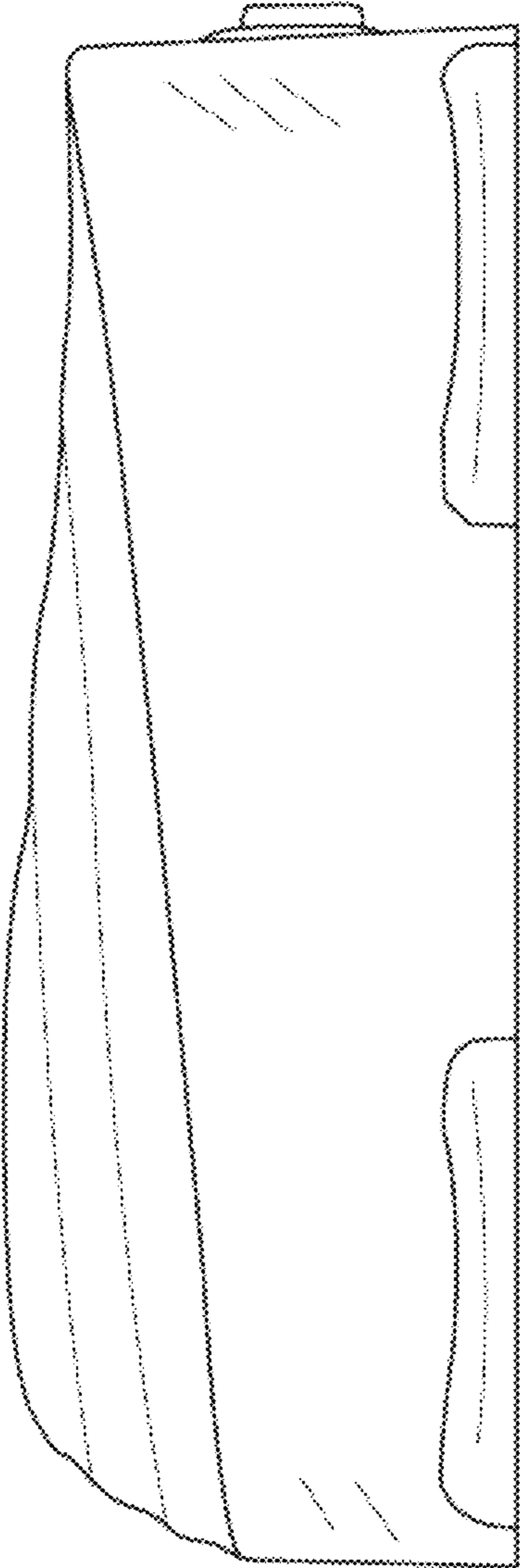


FIG. 5

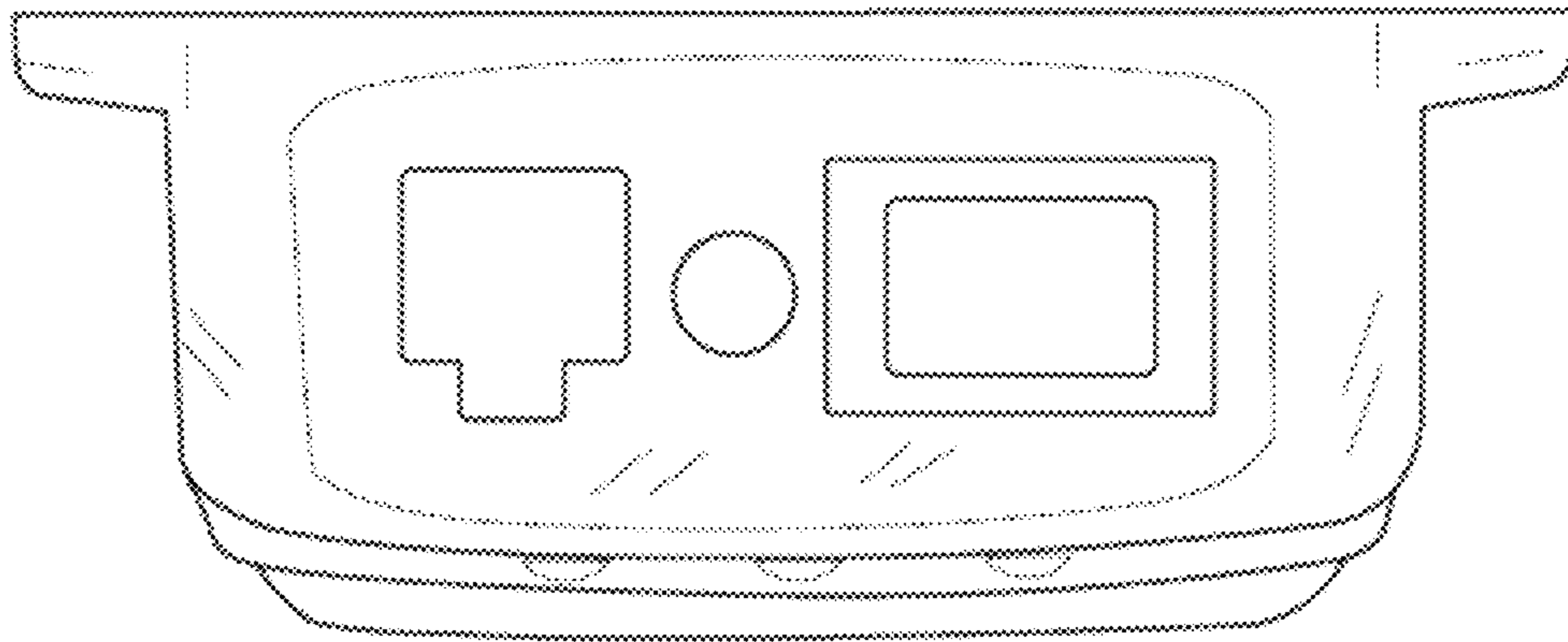


FIG. 6

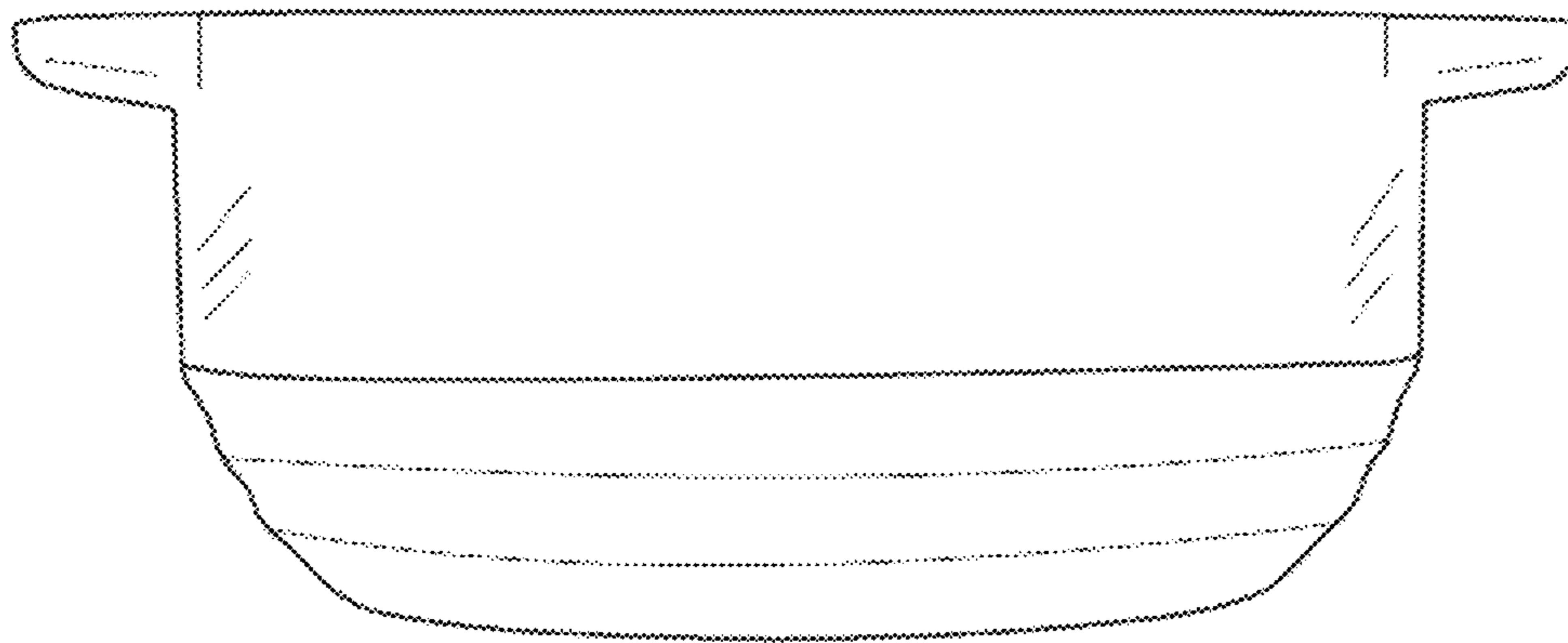


FIG. 7