



US00D897483S

(12) **United States Design Patent**
Cheng et al.

(10) **Patent No.:** **US D897,483 S**

(45) **Date of Patent:** **** Sep. 29, 2020**

(54) **REFLEX SIGHT**

(71) Applicants: **Carson Cheng**, City of Industry, CA (US); **Changan Tian**, City of Industry, CA (US); **Michael Cheng**, City of Industry, CA (US)

(72) Inventors: **Carson Cheng**, City of Industry, CA (US); **Changan Tian**, City of Industry, CA (US); **Michael Cheng**, City of Industry, CA (US)

(73) Assignee: **NcSTAR Inc.**, City of Industry, CA (US)

(**) Term: **15 Years**

(21) Appl. No.: **29/695,558**

(22) Filed: **Jun. 20, 2019**

(51) **LOC (12) Cl.** **22-01**

(52) **U.S. Cl.**
USPC **D22/109**

(58) **Field of Classification Search**
USPC D22/100, 101, 103, 104, 108, 109, 110, D22/111, 115, 116, 199; D21/567, 573, D21/574
CPC ... F41G 1/30; F41G 1/42; F41G 11/00; F41G 11/001; F41C 7/00; F41C 3/005; F41C 23/04; F41C 23/10
See application file for complete search history.

(56) **References Cited**

U.S. PATENT DOCUMENTS

D612,006 S * 3/2010 Kohler D22/109
8,087,196 B2 * 1/2012 Jung F41G 1/30
42/113
8,984,795 B2 * 3/2015 Jung F41G 1/30
42/113
9,423,212 B2 * 8/2016 Campean F41G 1/18
9,752,853 B2 * 9/2017 Teetzel F41G 1/35

9,869,526 B1 * 1/2018 Cheng F41G 1/17
10,086,527 B2 * 10/2018 Teetzel F41G 1/35
D837,927 S * 1/2019 Trulsson D22/109
10,175,029 B2 * 1/2019 Teetzel F41G 1/01
10,234,238 B1 * 3/2019 Thomas F41G 1/30

(Continued)

OTHER PUBLICATIONS

“Vism FlipDot Pro Unboxing” [online]. WannabeTactical. [Published on Mar. 19, 2020]. Retrieved from the Internet: <https://www.youtube.com/watch?v=4_TEleagl-y4>.*

Primary Examiner — Khawaja Anwar
Assistant Examiner — Mojtaba Tehrani

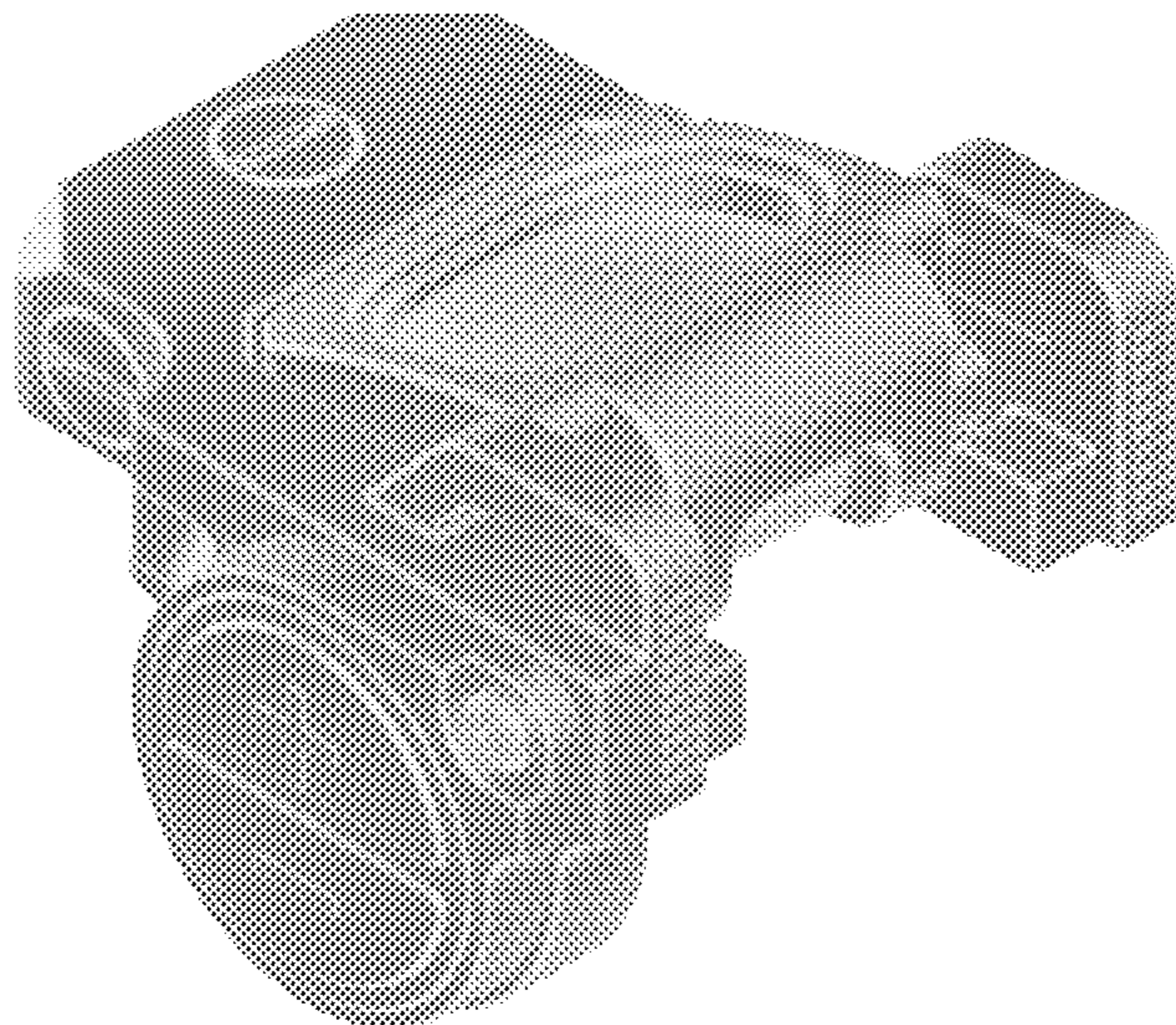
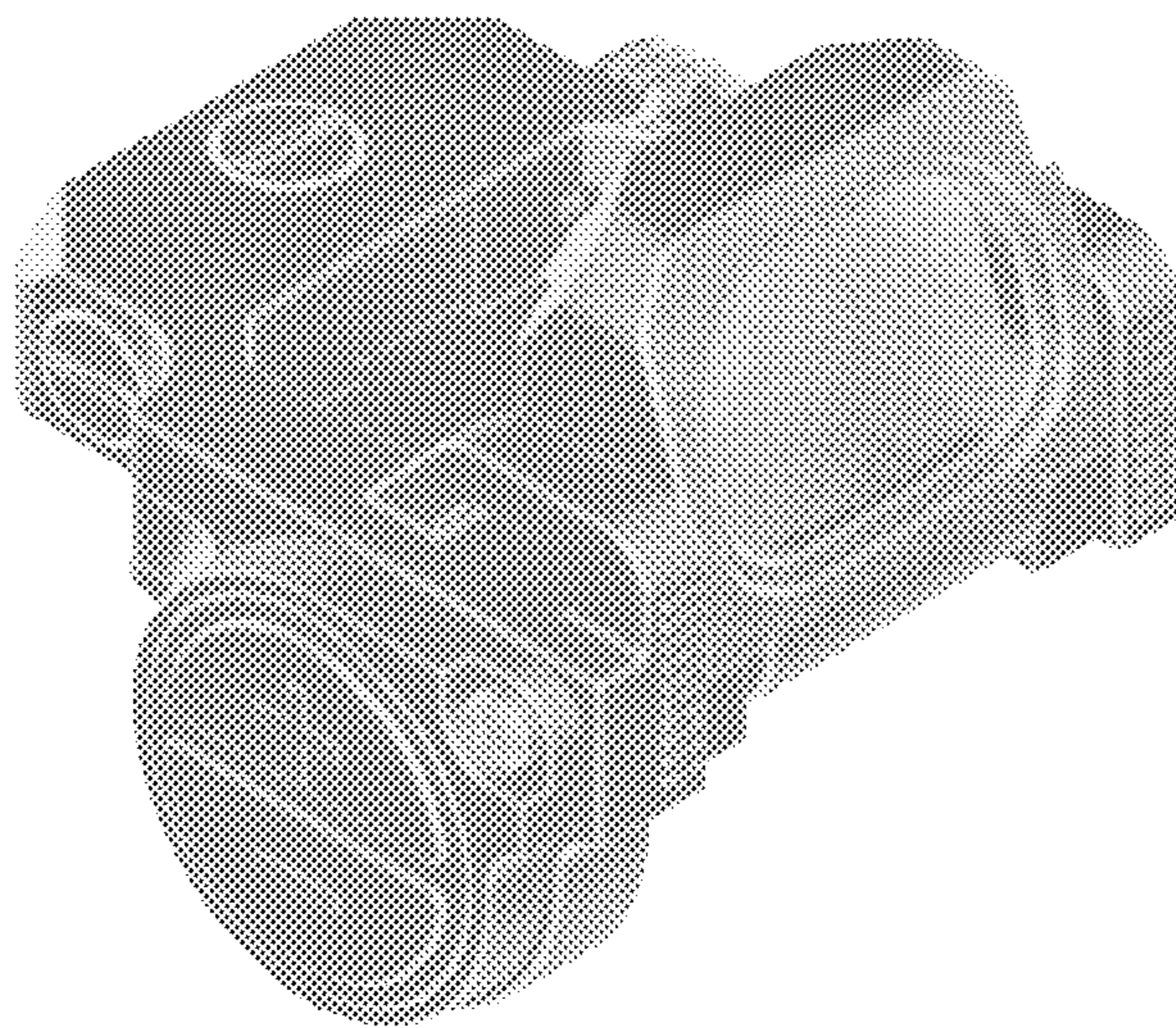
(57) **CLAIM**

The ornamental design for a reflex sight, as shown and described.

DESCRIPTION

FIG. 1 is a front view of the reflex sight of our new design; FIG. 2 is a rear view thereof; FIG. 3 is a left view thereof; FIG. 4 is a right view thereof; FIG. 5 is a top view thereof; FIG. 6 is a bottom view thereof; FIG. 7 is a top front and right perspective view thereof; FIG. 8 is a bottom front and right perspective view thereof; FIG. 9 is a top, rear and left perspective view thereof; FIG. 10 is a bottom, rear and left perspective view thereof. FIG. 11 as a top, front and right perspective view, showing the lens of the reflex sight being folded thereof; FIG. 12 is a bottom, front and right perspective view, showing the lens of the reflex sight being folded thereof; FIG. 13 is a top, rear and left perspective view, showing the lens of the reflex sight being folded thereof; and, FIG. 14 is a bottom, rear and left perspective view showing the lens of the reflex sight being folded thereof.

1 Claim, 14 Drawing Sheets



(56)

References Cited

U.S. PATENT DOCUMENTS

D846,689	S *	4/2019	Cheng	D22/109
D846,690	S *	4/2019	Cheng	D22/109
D847,292	S *	4/2019	Hoff	D22/109
D848,567	S *	5/2019	Soejima	D22/109
D849,180	S *	5/2019	Cheng	D22/109
10,330,439	B2 *	6/2019	Jeung	F41G 1/30
D869,594	S *	12/2019	Lance	D22/108
D872,219	S *	1/2020	Horton	D22/109
10,563,955	B2 *	2/2020	Pniel	F41G 1/387
2010/0083554	A1 *	4/2010	Elpedes	F41G 1/30 42/123
2011/0154713	A1 *	6/2011	Jung	F41G 1/345 42/137
2012/0151816	A1 *	6/2012	Kleck	F41G 1/30 42/132
2014/0096431	A1 *	4/2014	Tang	F41G 1/00 42/132
2014/0109456	A1 *	4/2014	Jung	F41G 1/30 42/113
2015/0198415	A1 *	7/2015	Campean	F41G 1/30 42/137
2016/0102943	A1 *	4/2016	Teetzel	B27B 7/00 42/113
2017/0205194	A1 *	7/2017	Teetzel	F41G 1/02

* cited by examiner

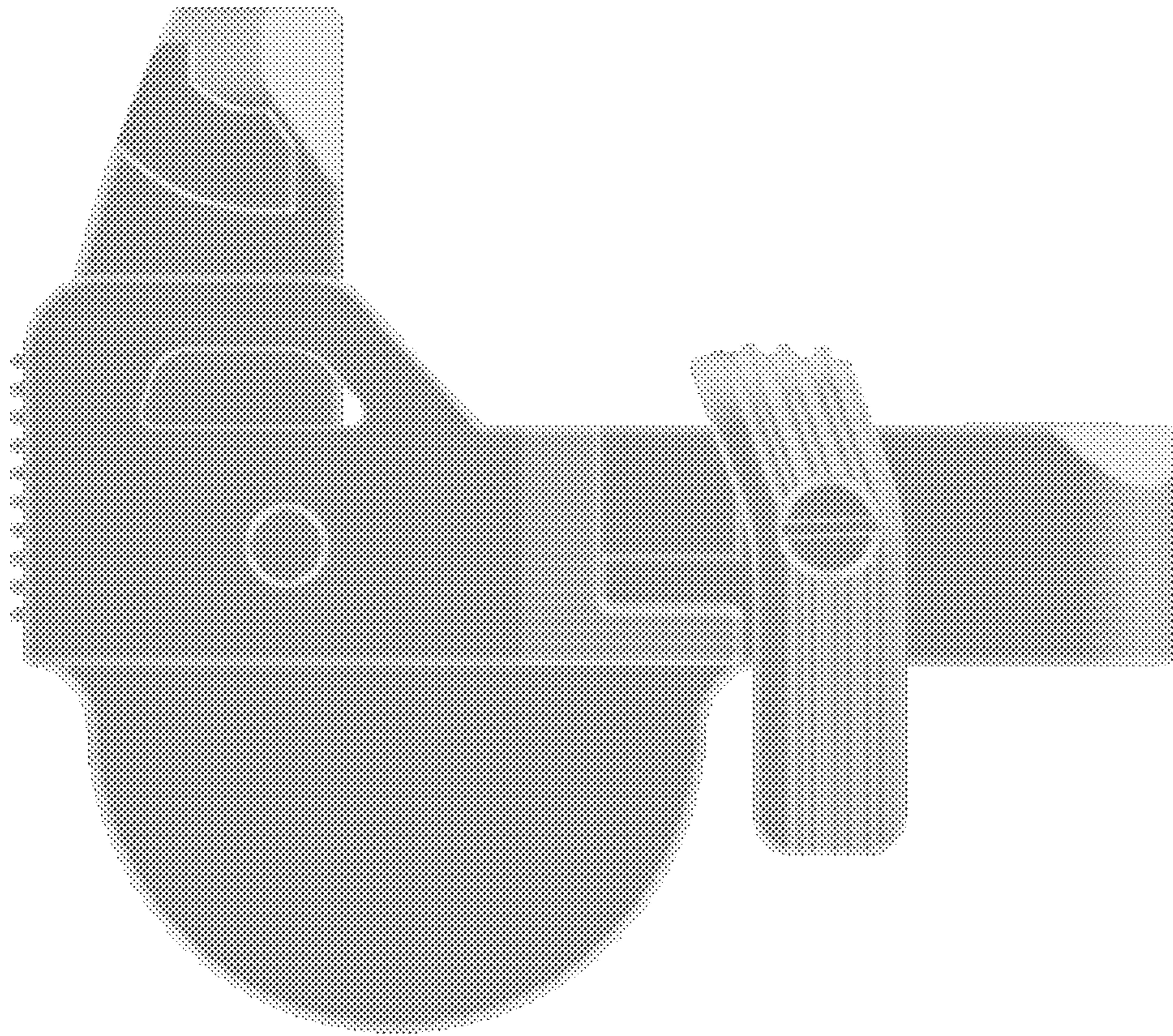


FIG. 1

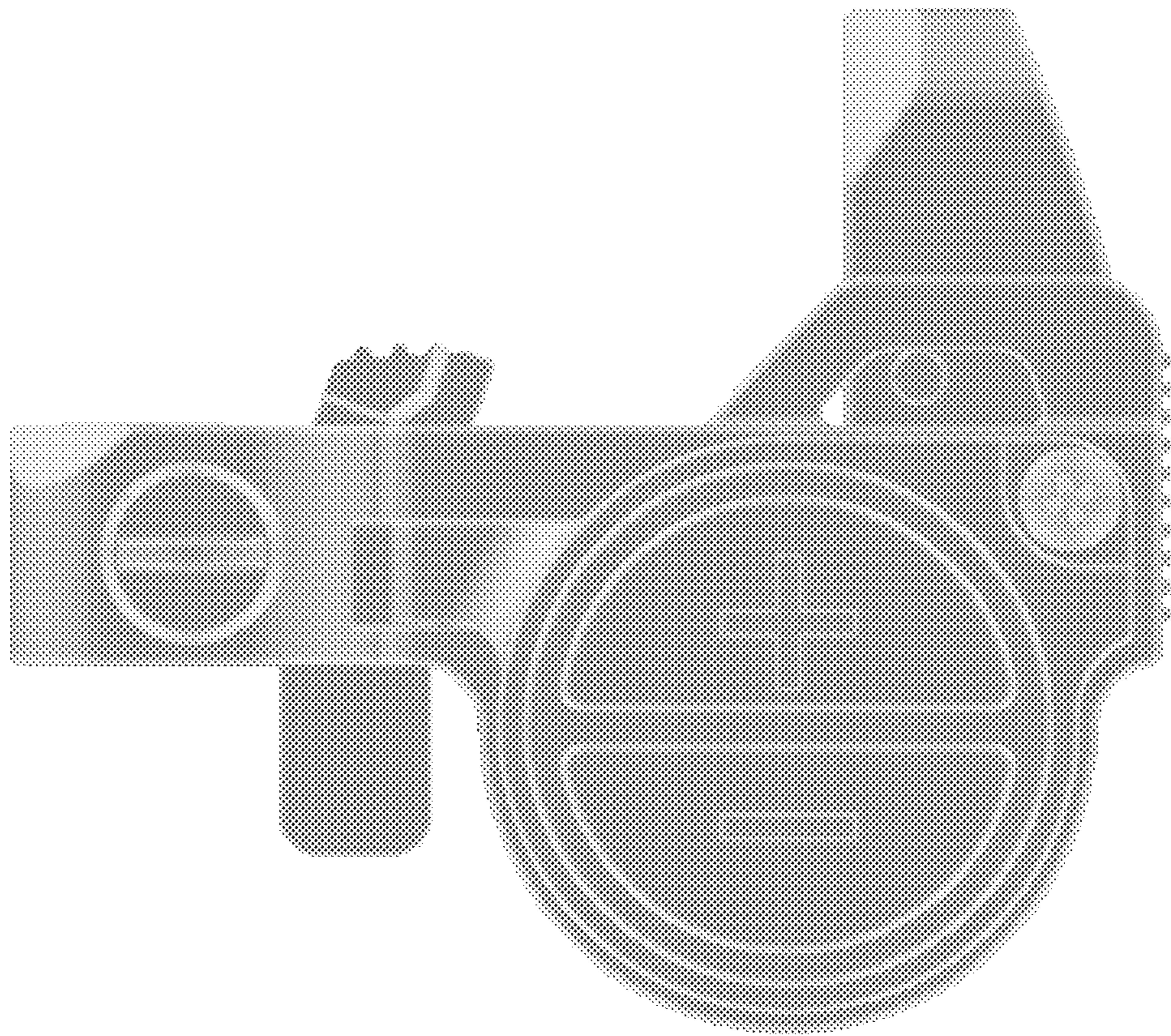


FIG. 2

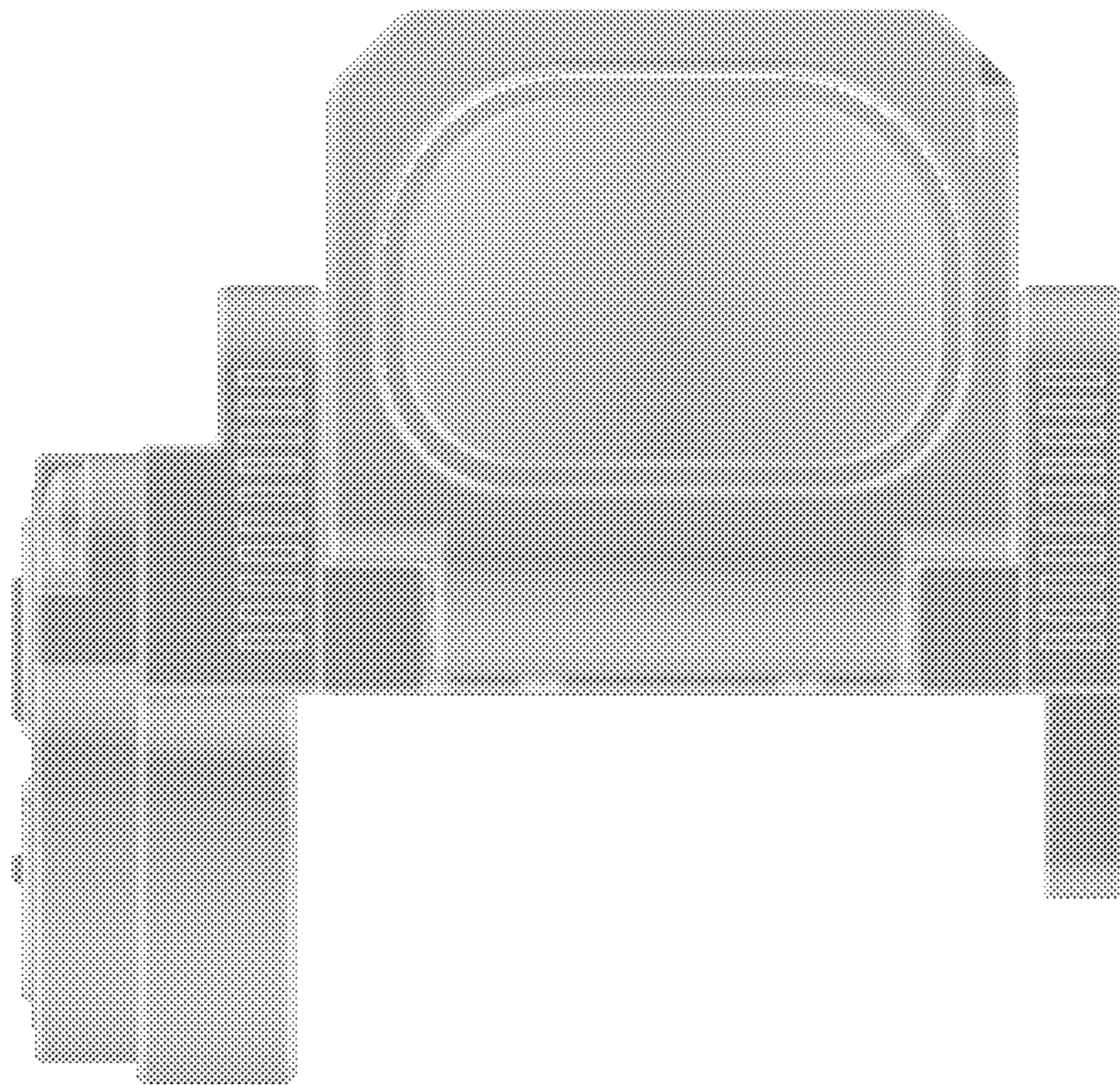


FIG. 3

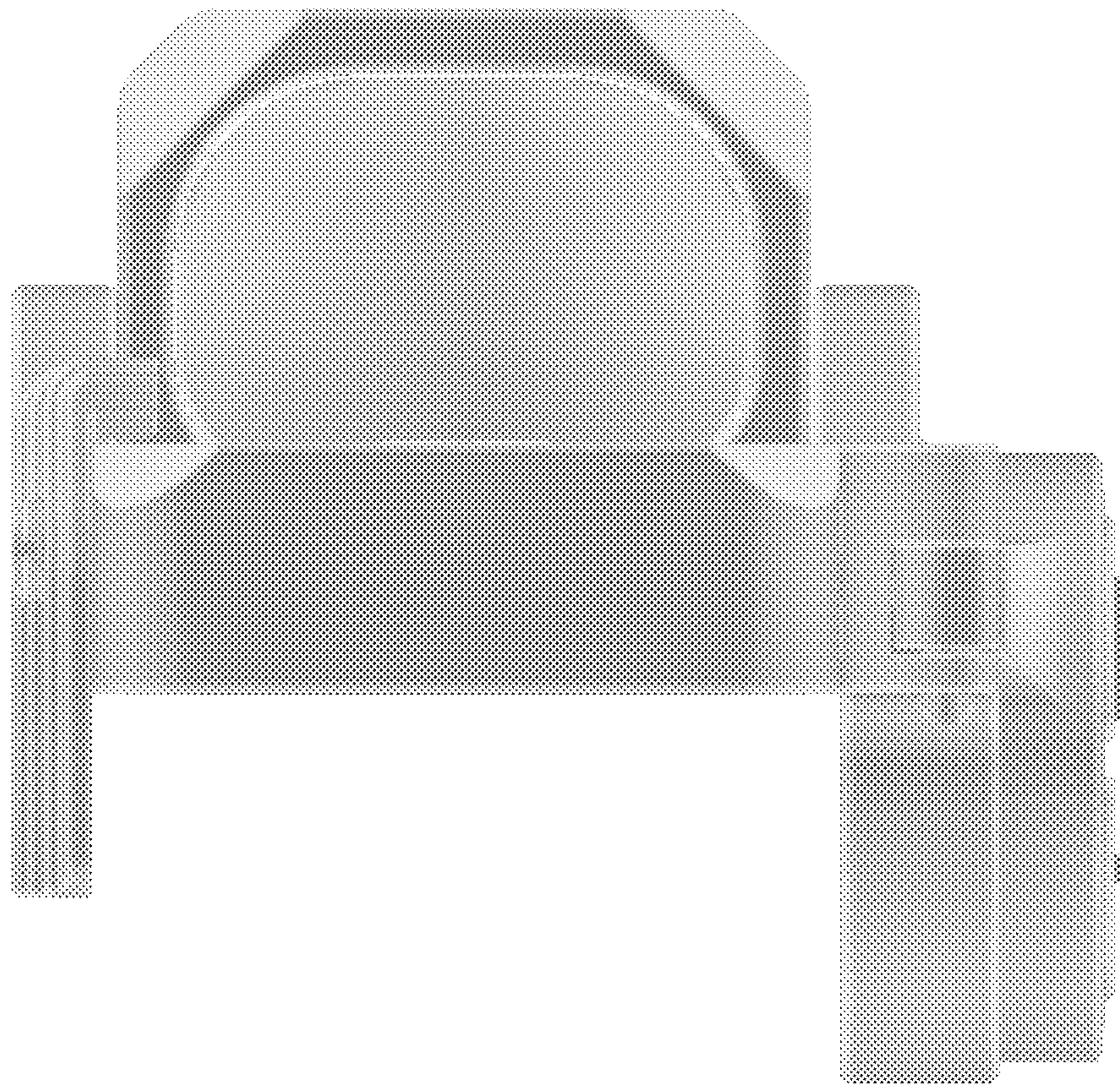


FIG. 4

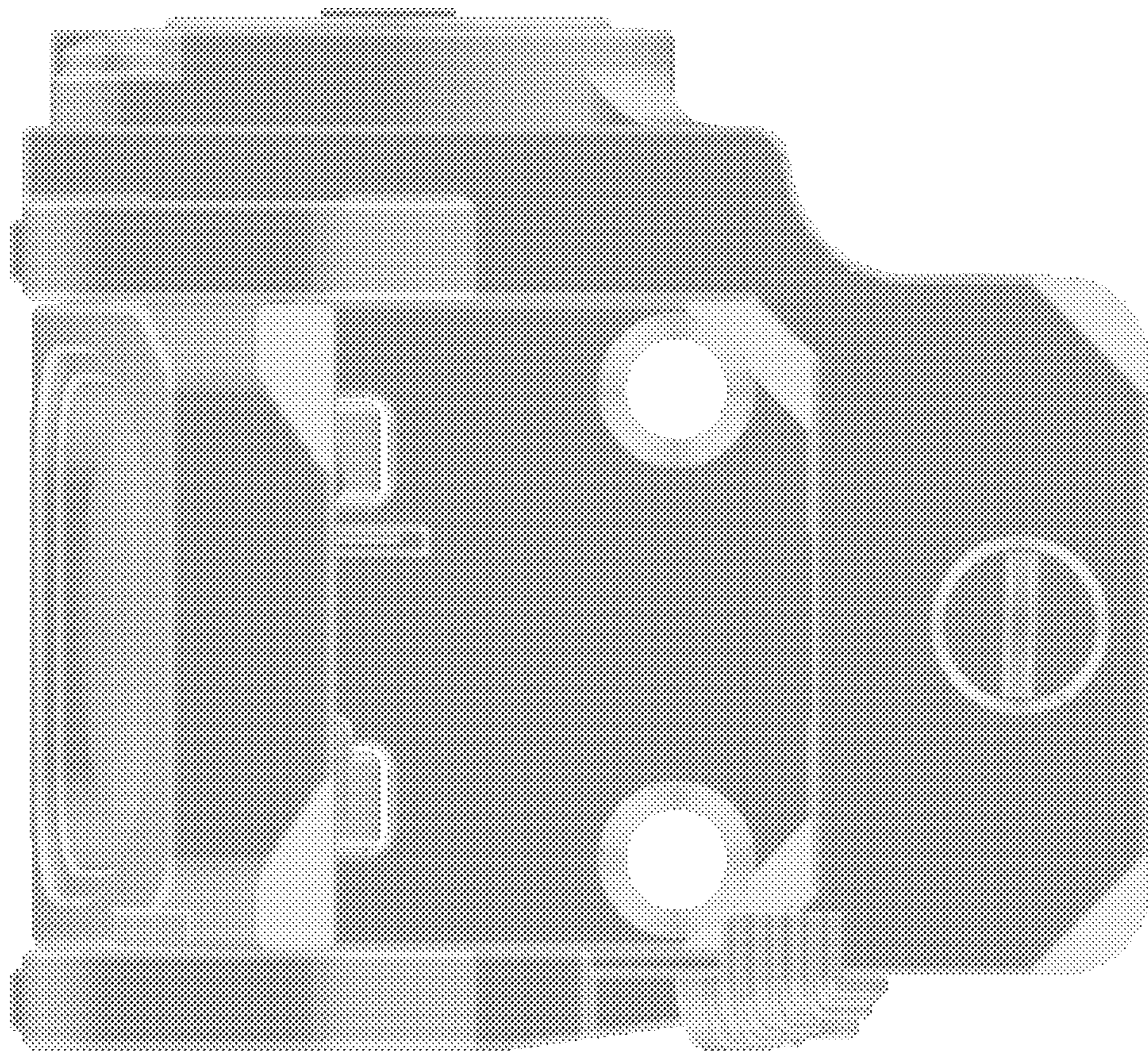


FIG. 5

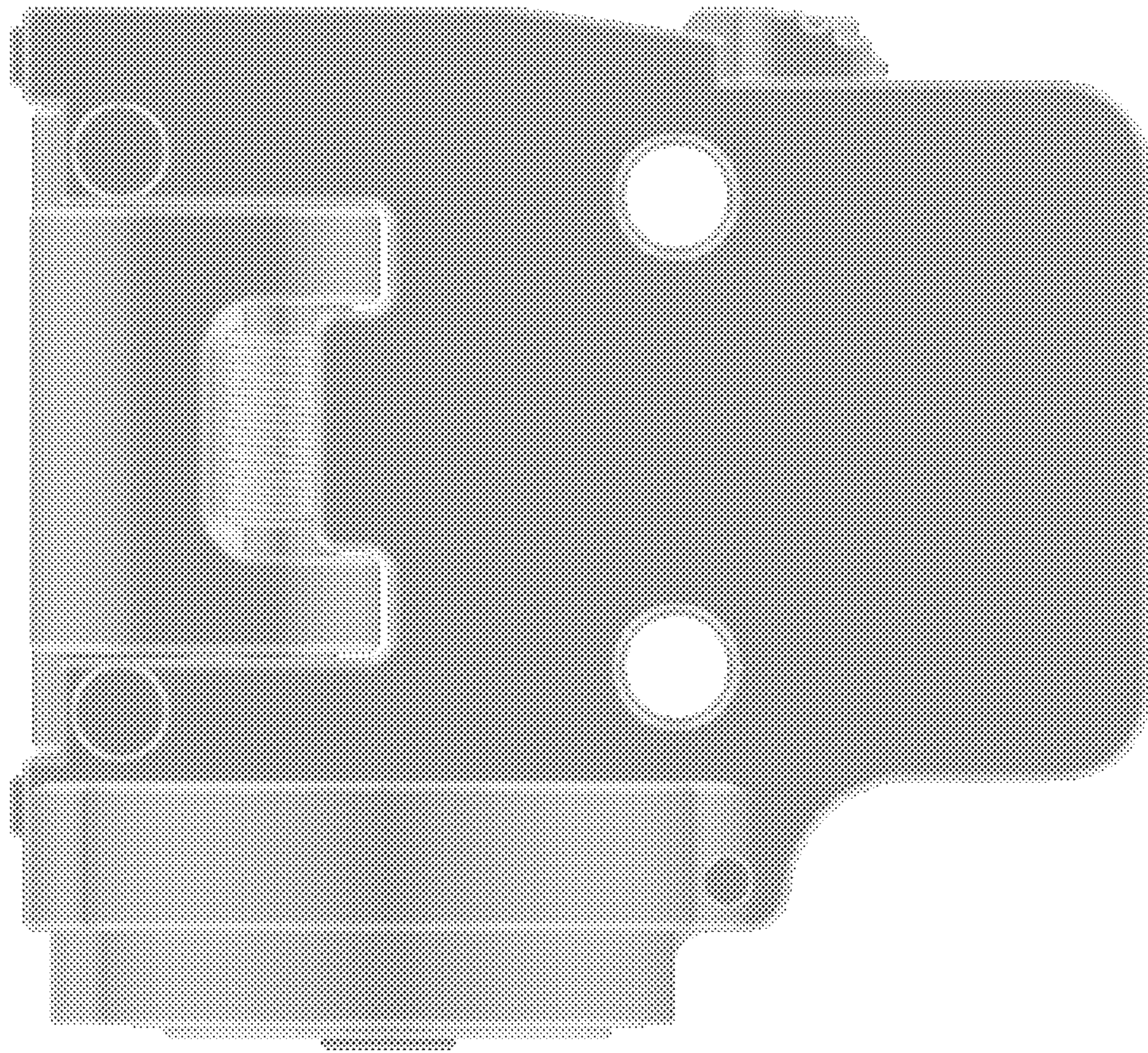


FIG. 6

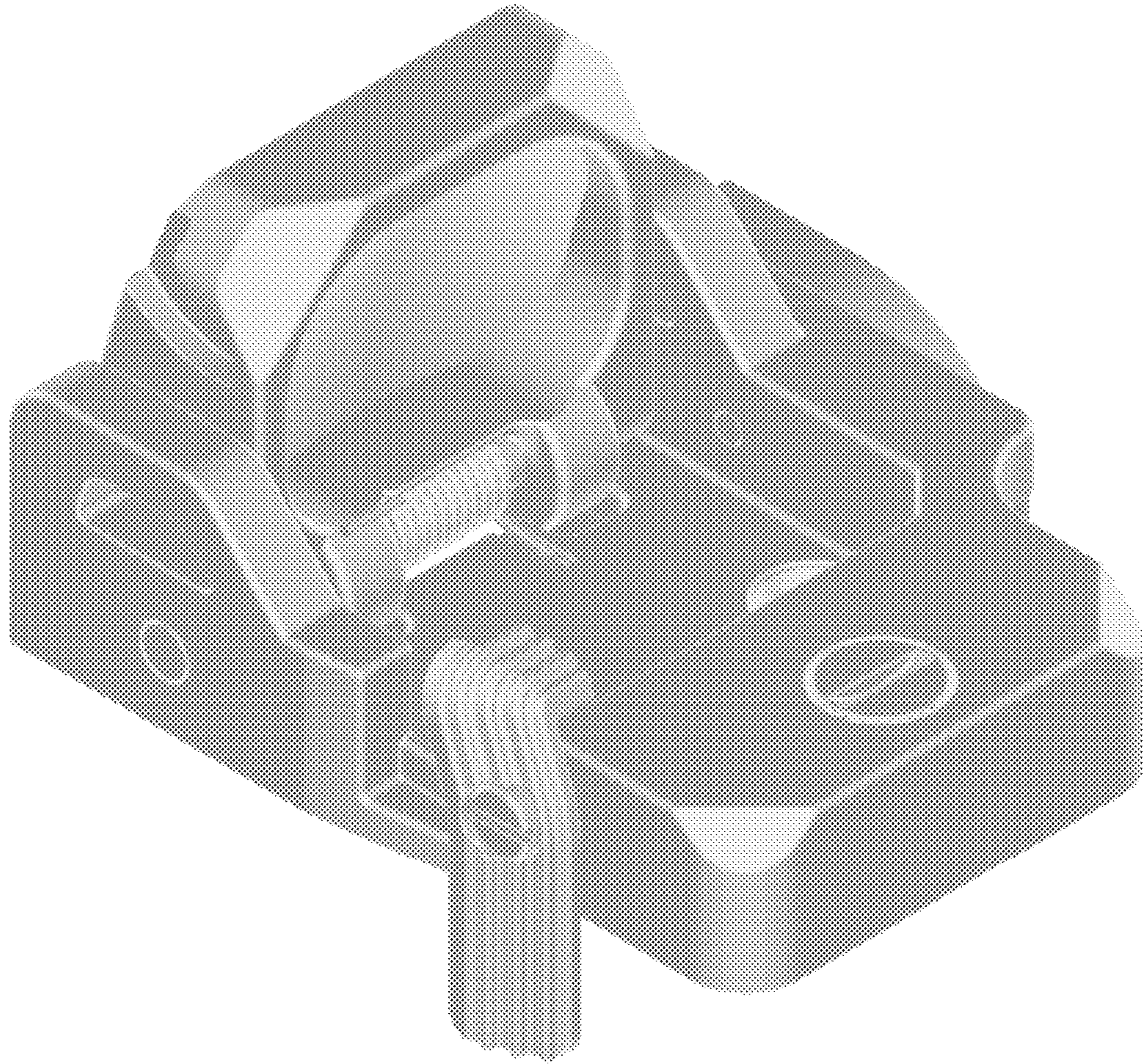


FIG. 7

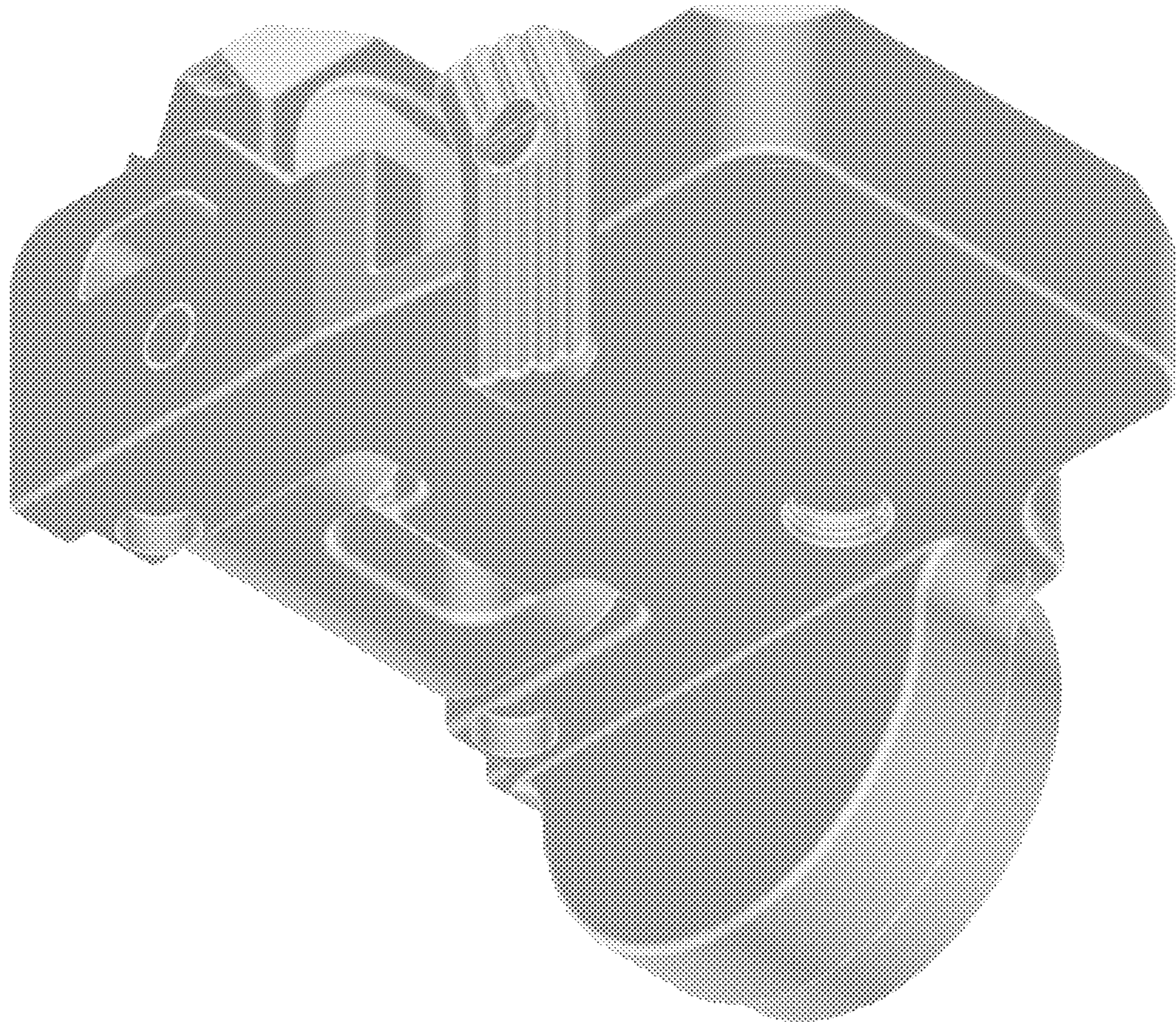


FIG. 8

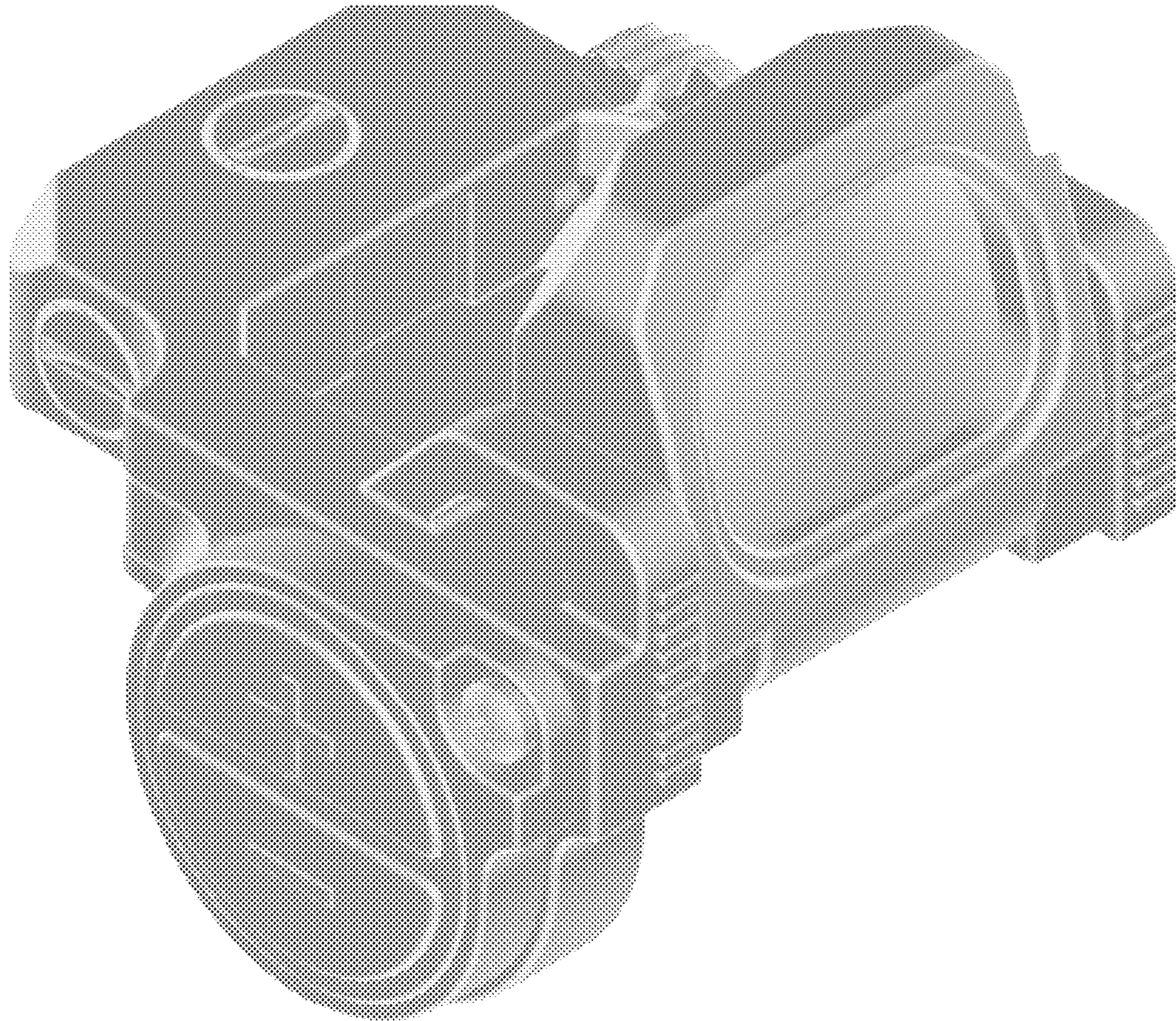


FIG. 9

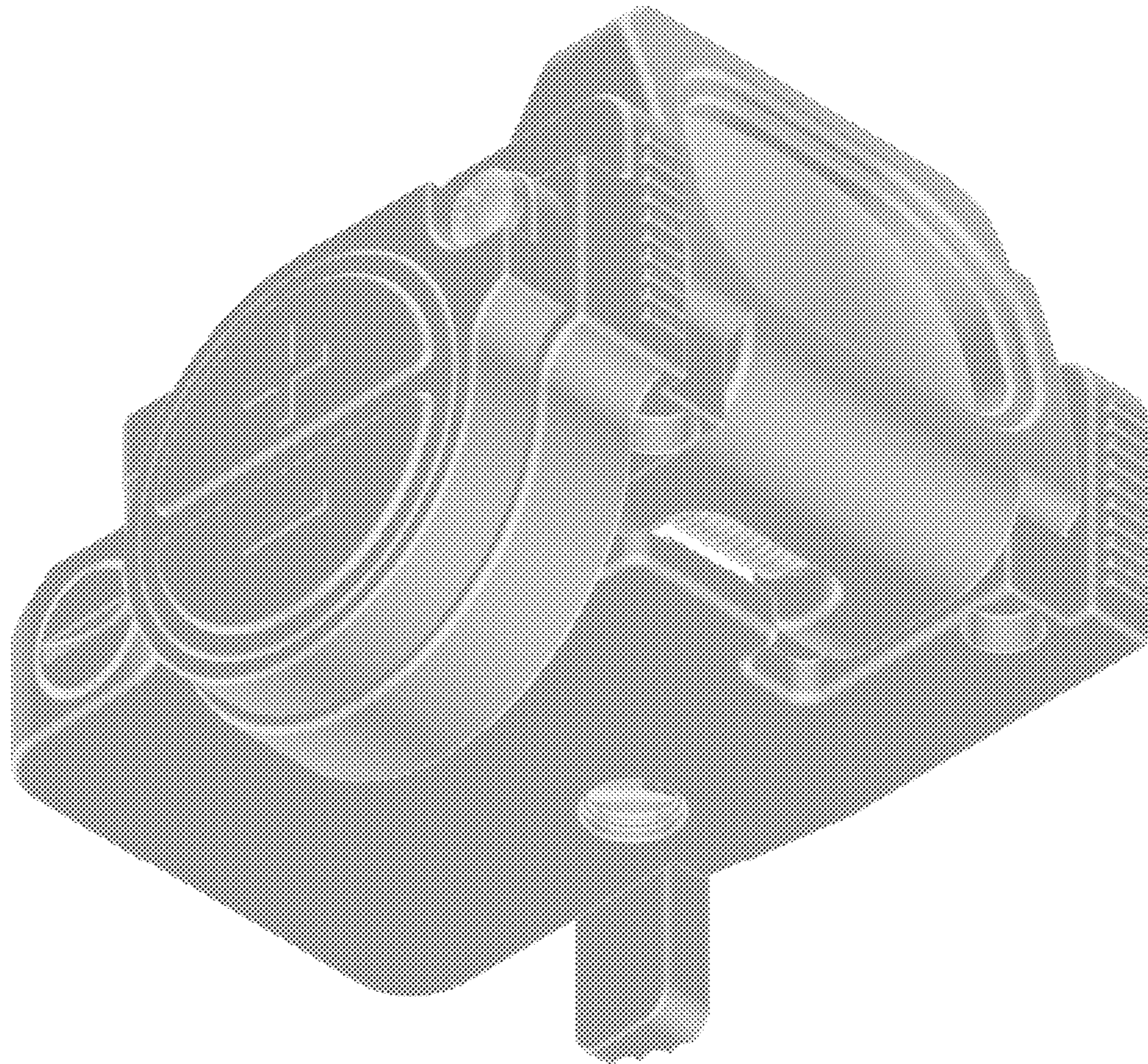


FIG. 10

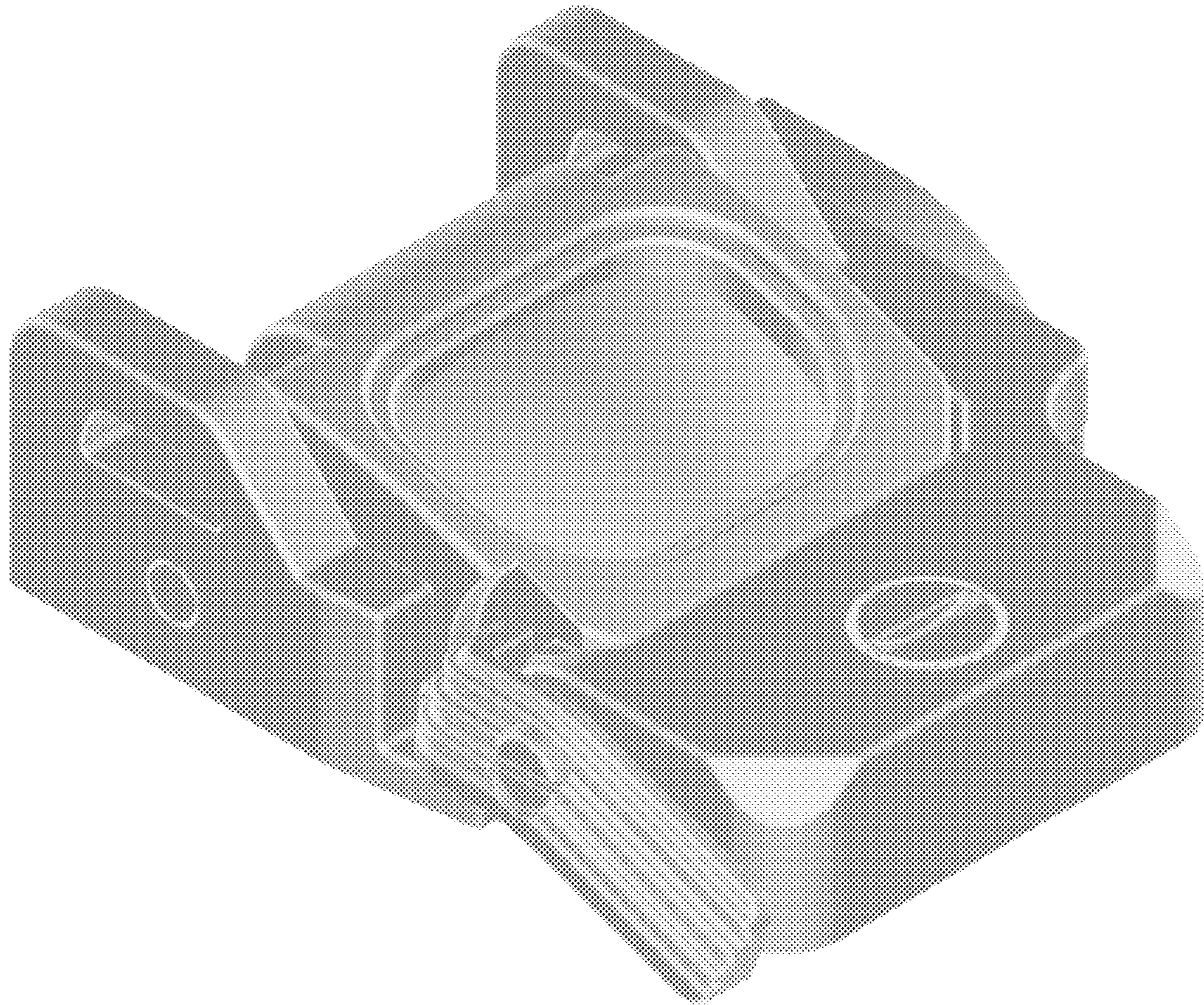


FIG. 11

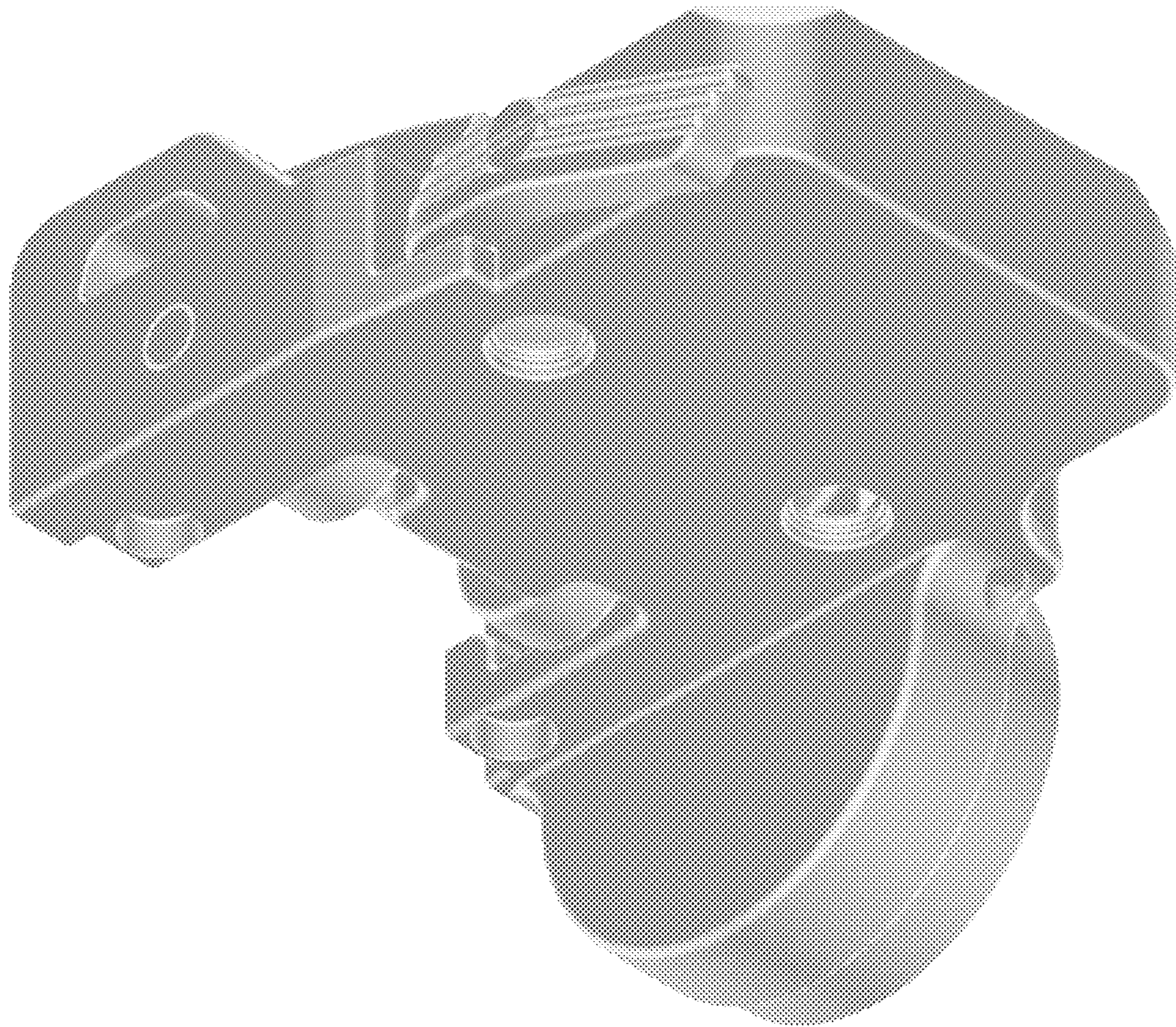


FIG. 12

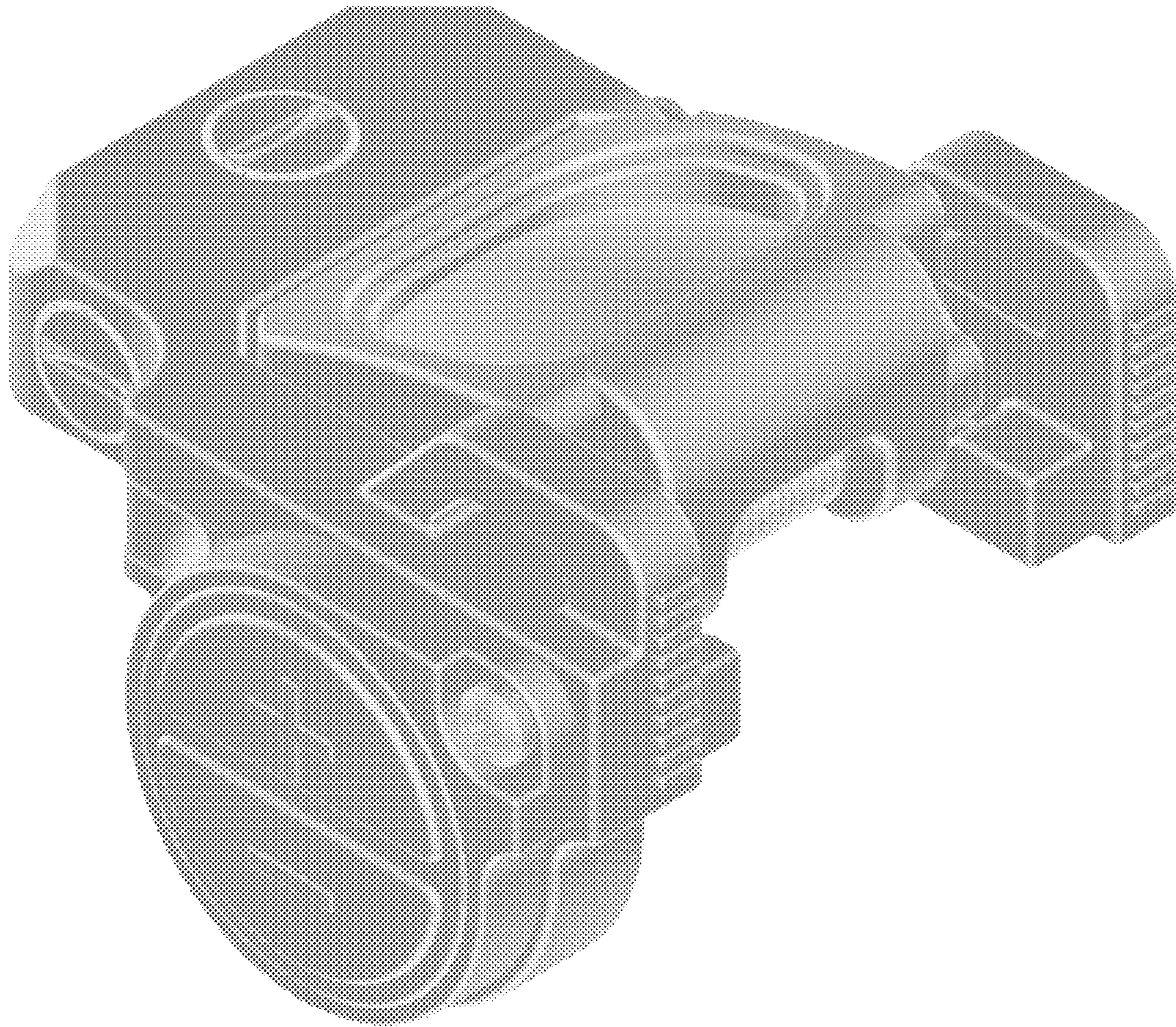


FIG. 13

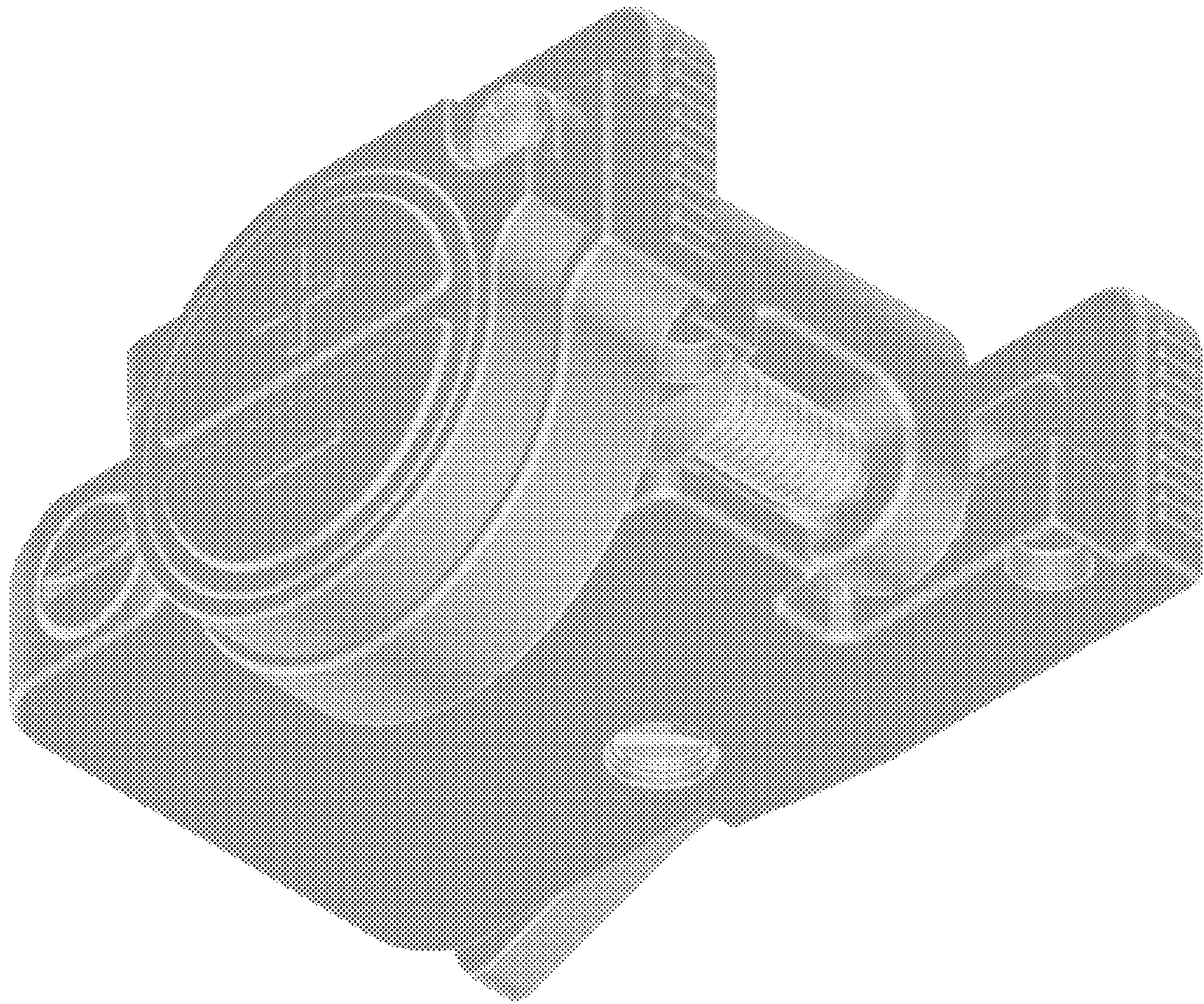


FIG. 14