



US00D897482S

(12) **United States Design Patent**
Podgurny

(10) **Patent No.:** **US D897,482 S**

(45) **Date of Patent:** **** Sep. 29, 2020**

(54) **MOUNTING RAIL**

(71) Applicant: **F-1 Research, LLC—Patent Series,**
Spring, TX (US)

(72) Inventor: **Dion Podgurny,** Spring, TX (US)

(73) Assignee: **F-1 Research, LLC—Patent Series,**
Spring, TX (US)

(**) Term: **15 Years**

(21) Appl. No.: **29/684,837**

(22) Filed: **Mar. 25, 2019**

(51) **LOC (12) Cl.** **22-01**

(52) **U.S. Cl.**
USPC **D22/109**

(58) **Field of Classification Search**
USPC D22/100, 101, 103, 104, 108, 109, 110,
D22/111, 115, 116, 199; D21/567, 573,
D21/574

CPC ... F41G 1/30; F41G 1/42; F41G 11/00; F41G
11/001; F41C 7/00; F41C 3/005; F41C
23/04; F41C 23/10

See application file for complete search history.

(56) **References Cited**

U.S. PATENT DOCUMENTS

D468,780 S *	1/2003	Hu	D21/573
D544,564 S *	6/2007	Swan	D22/108
D607,958 S *	1/2010	Swan	D22/108
D613,811 S *	4/2010	Swan	D22/108
D683,417 S *	5/2013	Daniel	D22/108
8,468,733 B2 *	6/2013	Deros	F41G 11/003 42/90
8,607,490 B1 *	12/2013	Zinsner	F41C 23/16 42/71.01
D703,286 S *	4/2014	Chen	D22/108
D717,908 S *	11/2014	Montes	D22/108
D732,628 S *	6/2015	Cheng	D22/108
9,157,697 B2 *	10/2015	Leclair	F41C 23/16

D751,663 S *	3/2016	Ding	D22/108
D752,171 S *	3/2016	Chen	D22/108
D768,257 S *	10/2016	Boyd	D22/109
D770,590 S *	11/2016	Sui	D22/108
9,518,801 B2 *	12/2016	Krebs	F41C 23/16
D784,483 S *	4/2017	Ding	D22/110
D790,029 S *	6/2017	Geissele	D22/108
D815,238 S *	4/2018	Podgurny	D22/108
D822,143 S *	7/2018	Allredge	D22/109
D828,481 S *	9/2018	Allredge	D22/110
D837,330 S *	1/2019	Ding	D22/108
D848,078 S *	5/2019	Griffith	D29/122
D877,843 S *	3/2020	Yu	D22/108

(Continued)

OTHER PUBLICATIONS

“Firefield Verge M-LOK 15” Aluminum Picatinny Rail, Hardcoat Anodized Black—FF34067” [online]. palmettostatearmory.com. [Retrieved on Jun. 2, 2020]. Retrieved from the Internet: <<https://palmettostatearmory.com/firefield-verge-m-lok-15-aluminum-picatinny-rail-hardcoat-anodized-black-ff34067.html>>.*

Primary Examiner — Khawaja Anwar

Assistant Examiner — Mojtaba Tehrani

(74) *Attorney, Agent, or Firm* — Dossey & Jones PLLC;
Phillip Black

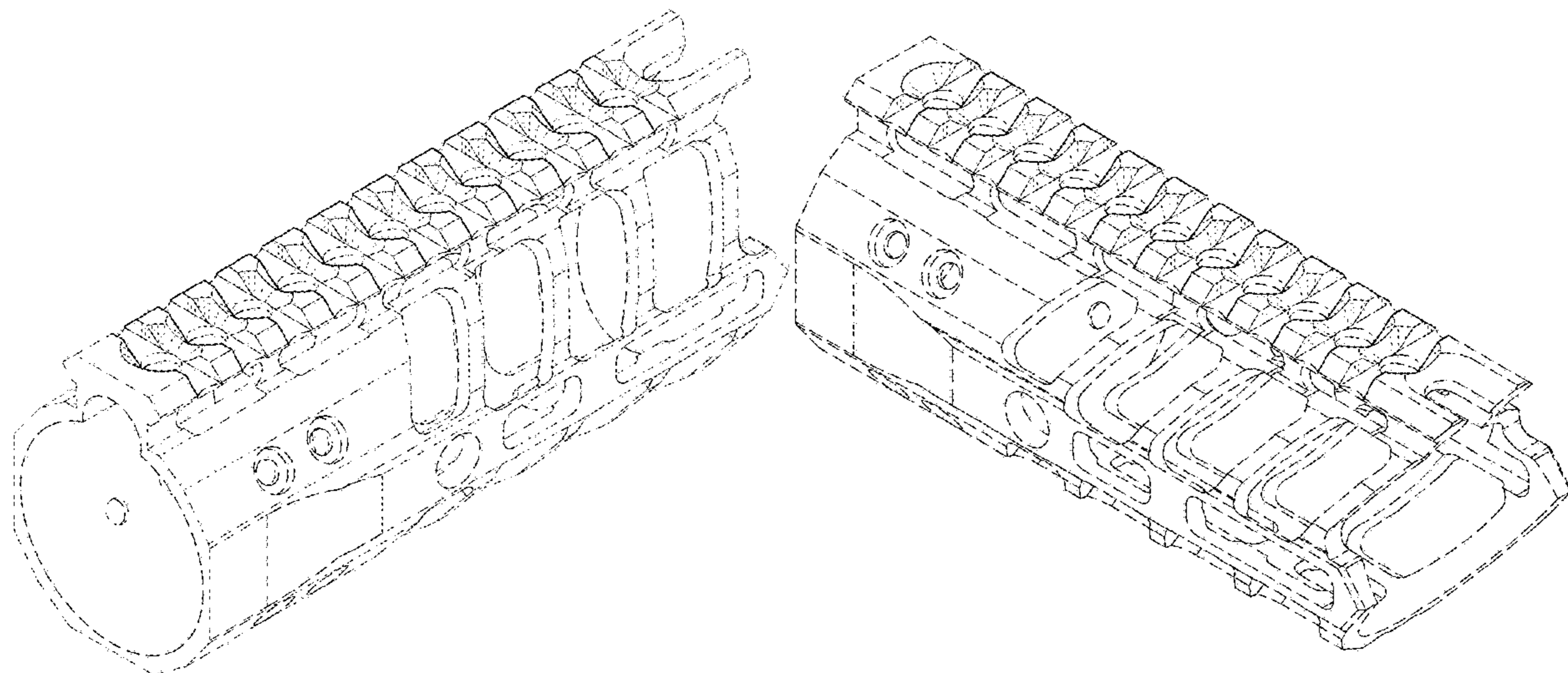
(57) **CLAIM**

The ornamental design for a mounting rail, as shown and described.

DESCRIPTION

FIG. 1 is an isometric front, left side view showing my design for a mounting rail;
FIG. 2 is an isometric rear, left side view thereof;
FIG. 3 is a top view thereof; and,
FIG. 4 is a left side view thereof, the right side view (not shown) being a mirror image of this left side view.
The broken lines depict environmental subject matter and do not form a part of the claimed design.

1 Claim, 4 Drawing Sheets



(56)

References Cited

U.S. PATENT DOCUMENTS

2011/0000119 A1* 1/2011 Desomma F41G 11/003
42/75.02
2011/0197491 A1* 8/2011 McCann F41G 11/003
42/132
2012/0124880 A1* 5/2012 Leclair F41A 21/484
42/71.01
2013/0219767 A1* 8/2013 Peterson F41G 1/10
42/113
2014/0130390 A1* 5/2014 Geissele F41C 23/16
42/71.01
2018/0094904 A1* 4/2018 Greenwood F41G 11/003

* cited by examiner

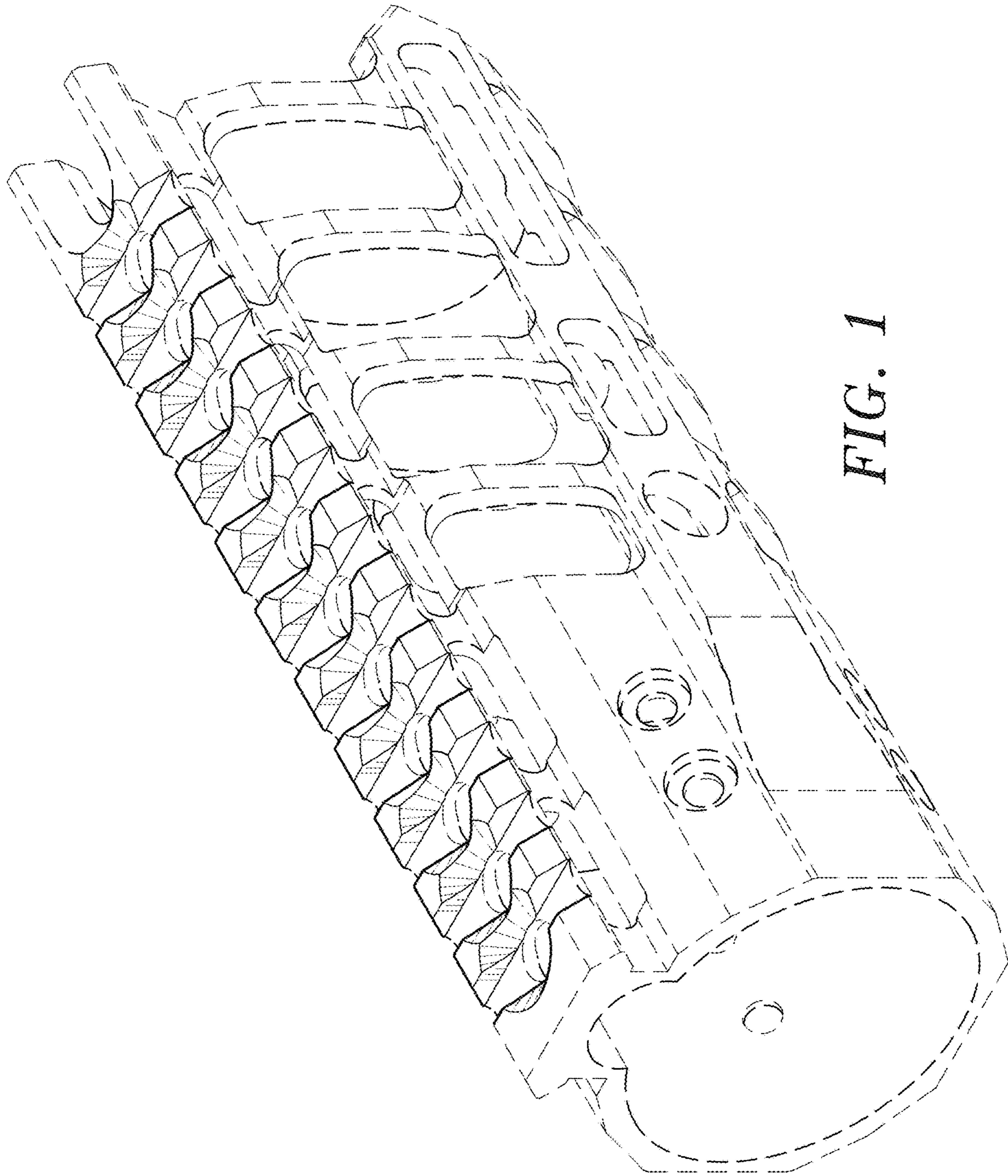


FIG. 1

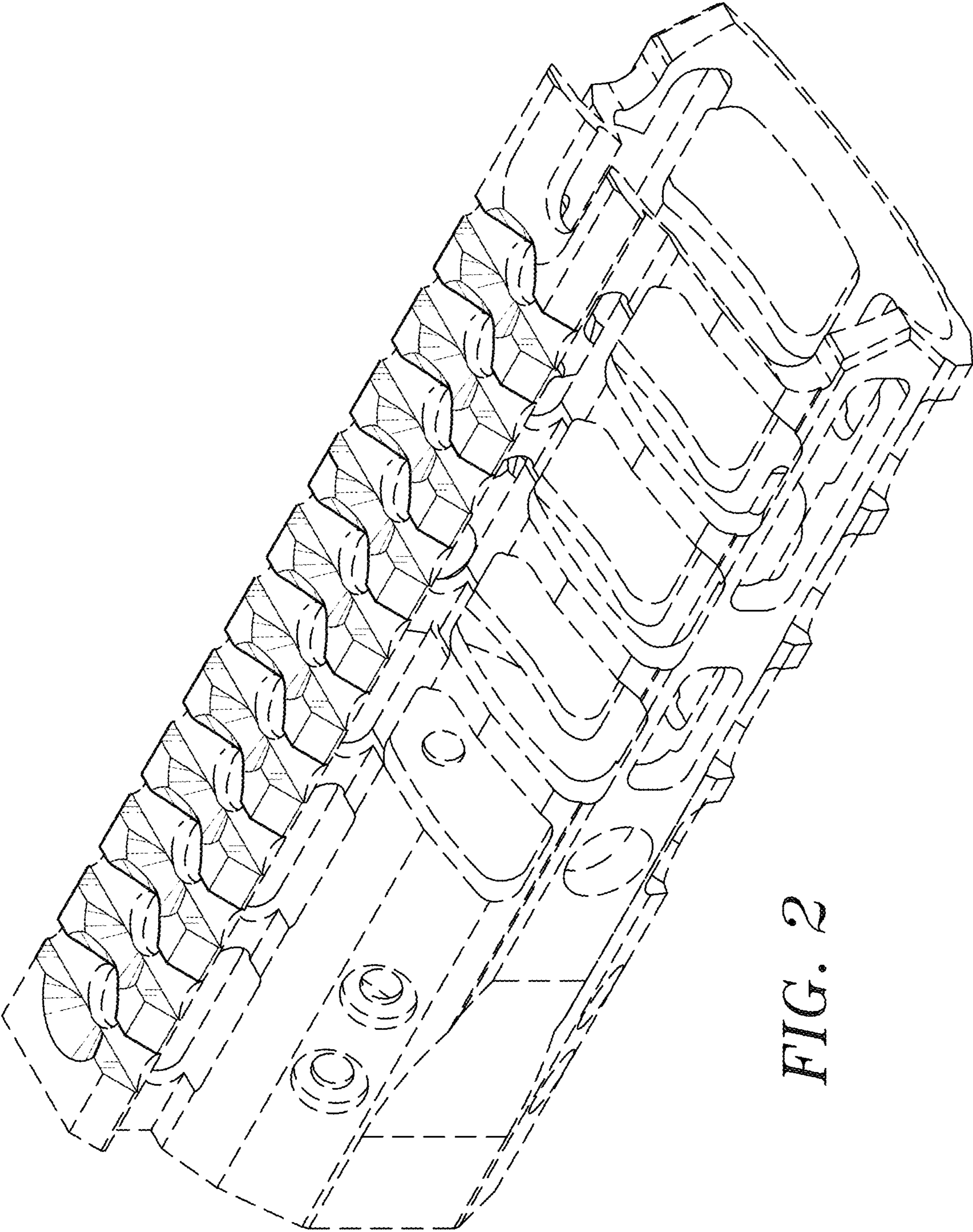


FIG. 2

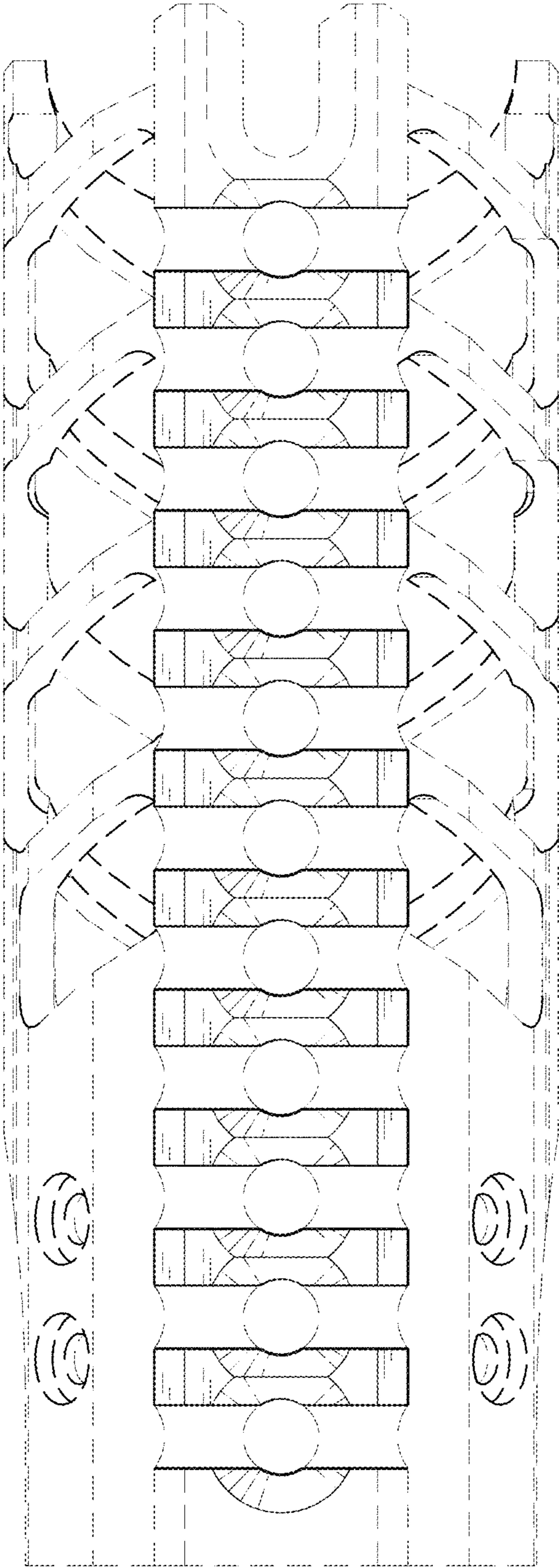


FIG. 3

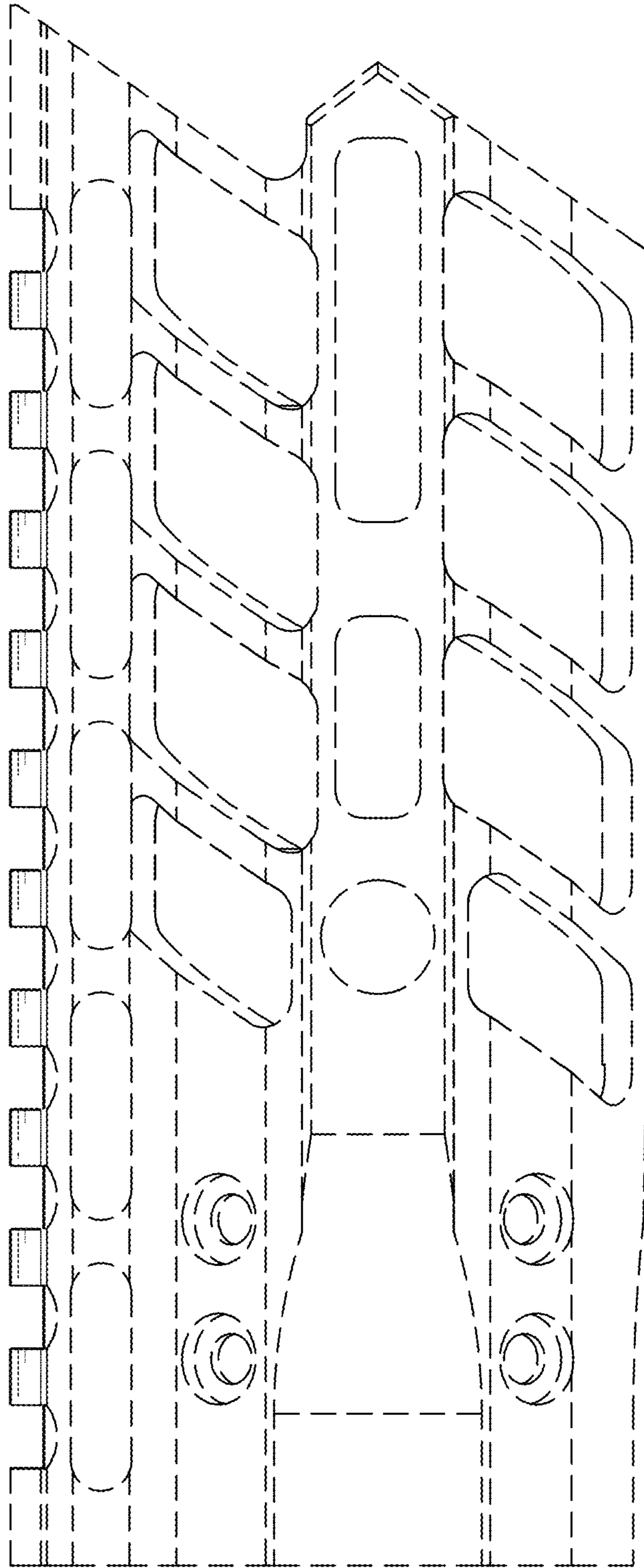


FIG. 4