

US00D897481S

(12) **United States Design Patent**
York et al.

(10) **Patent No.:** **US D897,481 S**

(45) **Date of Patent:** **** Sep. 29, 2020**

(54) **AIMING SYSTEM**

(71) Applicant: **Sig Sauer, Inc.**, Newington, NH (US)

(72) Inventors: **Andrew W. York**, Portland, OR (US);
Gregory S. Smith, Sherwood, OR (US); **Richard B. Brumfield**,
Wilsonville, OR (US); **Joseph Fruechtel**, Portland, OR (US)

(73) Assignee: **SIG SAUER, INC.**, Newington, NH (US)

(**) Term: **15 Years**

(21) Appl. No.: **29/643,024**

(22) Filed: **Apr. 3, 2018**

(51) **LOC (12) Cl.** **22-01**

(52) **U.S. Cl.**
USPC **D22/109**; D16/136

(58) **Field of Classification Search**
USPC D22/100, 101, 103, 104, 108, 109, 110,
D22/111, 115, 116, 199; D21/567, 573,
D21/574; D16/136
CPC ... F41G 1/30; F41G 1/42; F41G 11/00; F41G
11/001; F41C 7/00; F41C 3/005; F41C
23/04; F41C 23/10
See application file for complete search history.

(56) **References Cited**

U.S. PATENT DOCUMENTS

D458,555 S * 6/2002 Vermillion D10/103
D475,758 S * 6/2003 Ishikawa D22/108

D562,428 S *	2/2008	Peters	D22/108
D683,418 S *	5/2013	Beckett	D22/109
D688,142 S *	8/2013	Jacques	D10/58
D716,409 S *	10/2014	Mikroulis	D22/109
D716,905 S *	11/2014	Beckett	D22/109
D720,033 S *	12/2014	Mikroulis	D22/109
9,068,799 B1 *	6/2015	Wu	F41G 1/473
D758,523 S *	6/2016	Mikroulis	D22/109
D767,077 S *	9/2016	Mikroulis	D22/109
D767,660 S *	9/2016	Mikroulis	D16/134
D783,764 S *	4/2017	Byars	D16/136
D850,563 S *	6/2019	Mikroulis	D22/109
D865,114 S *	10/2019	Mikroulis	D22/109
D875,200 S *	2/2020	Nyhart	D22/109

* cited by examiner

Primary Examiner — Khawaja Anwar

Assistant Examiner — Mojtaba Tehrani

(74) *Attorney, Agent, or Firm* — Miller Nash Graham & Dunn LLP

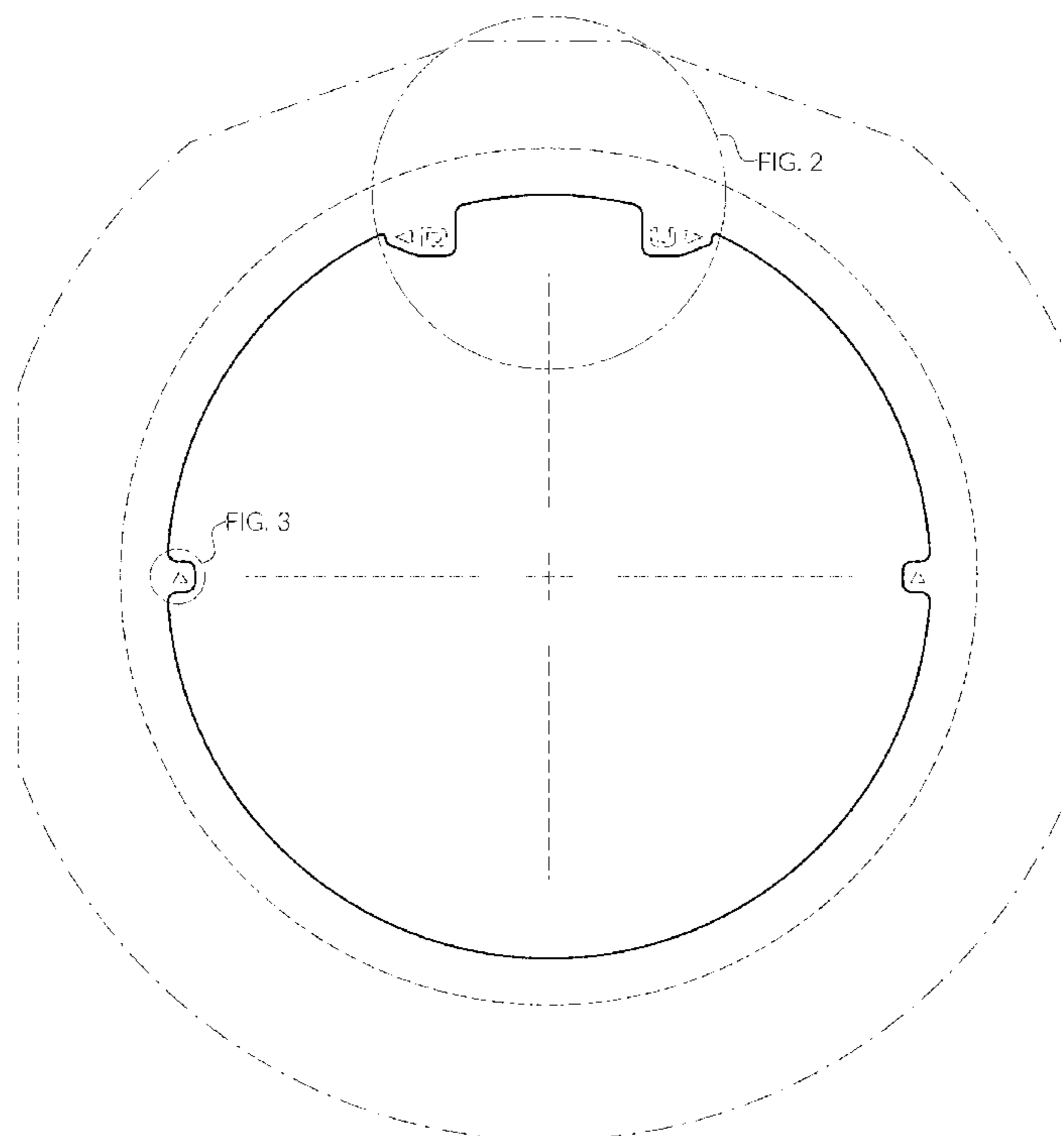
(57) **CLAIM**

The ornamental design for an aiming system, as shown and described.

DESCRIPTION

FIG. 1 is a front elevational view of an aiming system; FIG. 2 is an enlarged detail view of the aiming system of FIG. 1; and, FIG. 3 is another enlarged detail view of the aiming system of FIG. 1. The evenly broken lines in the drawings depict unclaimed subject matter; the dash-dot lines depict the boundary of the views. The broken lines form no part of the claimed design.

1 Claim, 2 Drawing Sheets



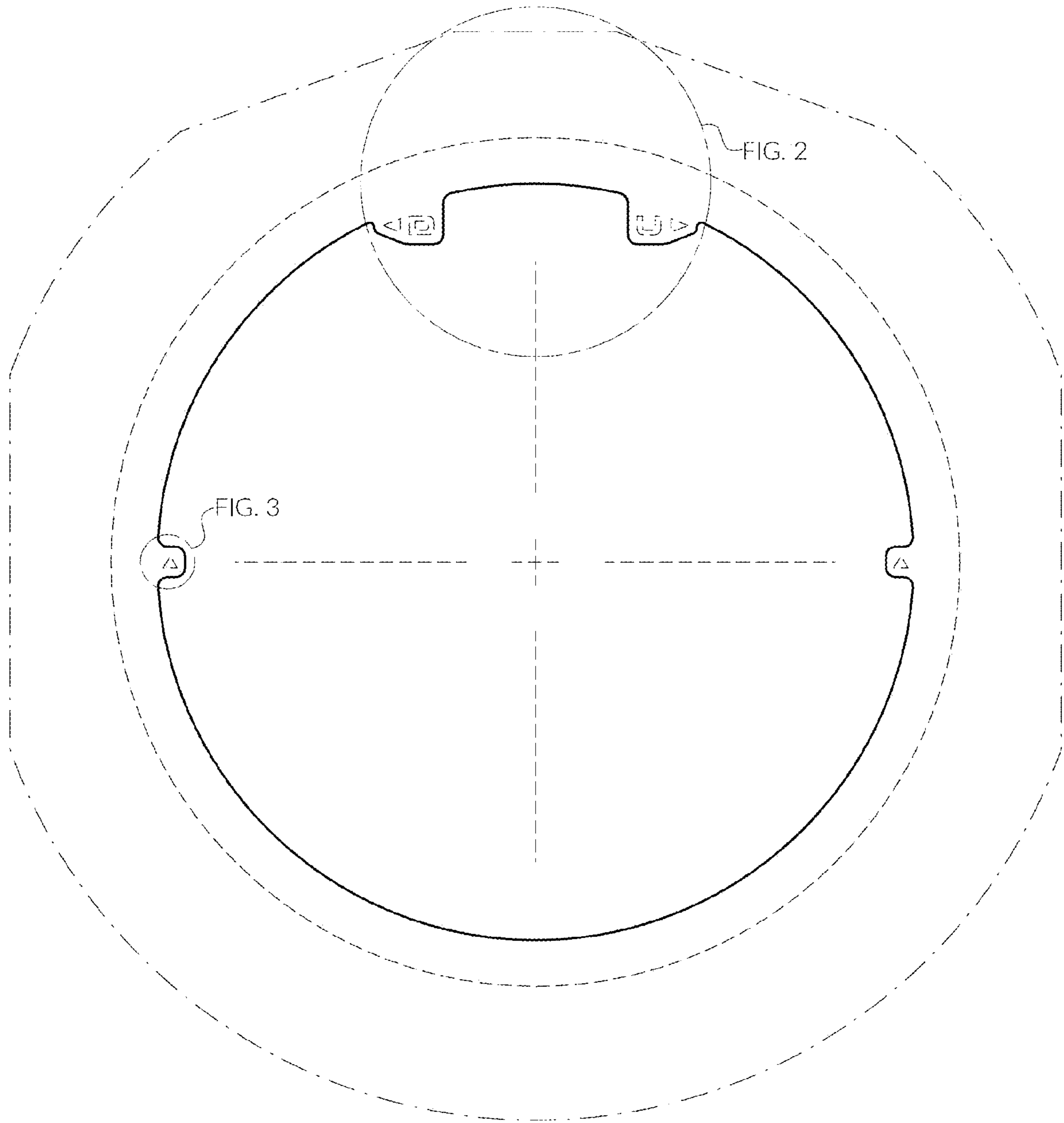


FIG. 1

