



US00D897480S

(12) **United States Design Patent**
Shi

(10) **Patent No.:** **US D897,480 S**

(45) **Date of Patent:** **** Sep. 29, 2020**

(54) **BUTTSTOCK**

(71) Applicant: **All Pro Sporting Goods, Inc.**, Chino Hills, CA (US)

(72) Inventor: **Chuanwen Shi**, Walnut, CA (US)

(**) Term: **15 Years**

(21) Appl. No.: **29/691,710**

(22) Filed: **May 17, 2019**

(51) **LOC (12) Cl.** **22-08**

(52) **U.S. Cl.**
USPC **D22/108**

(58) **Field of Classification Search**
USPC D22/108; D21/572-573
CPC F41C 23/04; F41C 23/14; F41C 23/06;
F41C 23/22
See application file for complete search history.

(56) **References Cited**

U.S. PATENT DOCUMENTS

D640,342 S * 6/2011 Fitzpatrick D22/108
D692,087 S * 10/2013 Fitzpatrick D22/108
D728,057 S 4/2015 Daniel

D745,622 S * 12/2015 Zusman D22/108
D771,765 S 11/2016 Ewer
D773,005 S * 11/2016 Ding D22/108
D809,621 S * 2/2018 Lam D22/108
2019/0137213 A1* 5/2019 Miller F41C 23/22

* cited by examiner

Primary Examiner — Michael A. Pratt

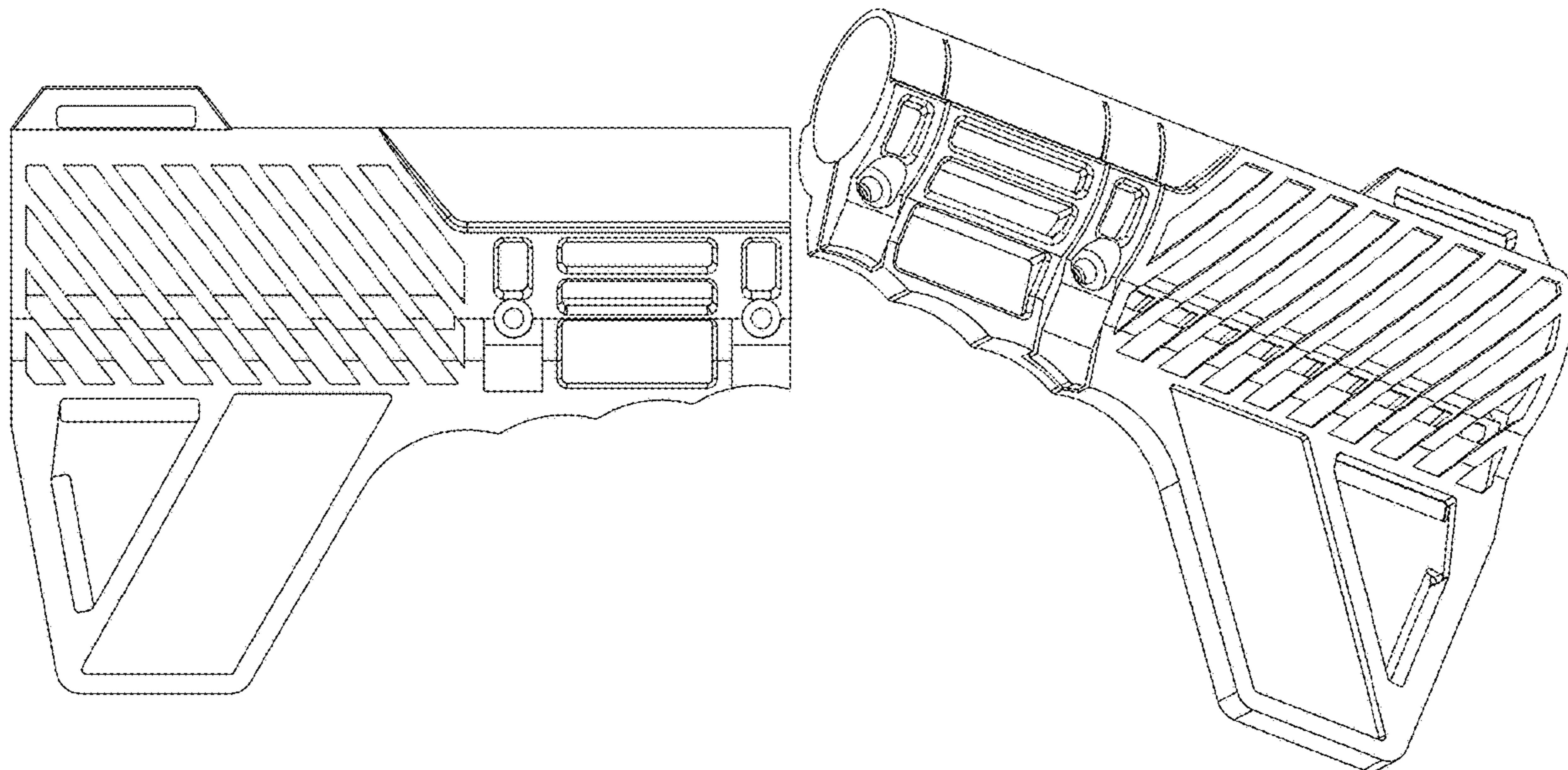
(57) **CLAIM**

I claim the ornamental design for a buttstock, as shown and described.

DESCRIPTION

FIG. 1 is a front elevation view of the buttstock.
FIG. 2 is a left side elevation view thereof.
FIG. 3 is a right side elevation view thereof.
FIG. 4 is a rear elevation view thereof.
FIG. 5 is a top plan view thereof.
FIG. 6 is a bottom plan view thereof.
FIG. 7 is a left side/bottom/rear perspective view thereof.
FIG. 8 is a left side/bottom/front perspective view thereof;
and,
FIG. 9 is a left side/top/rear perspective view thereof.

1 Claim, 8 Drawing Sheets



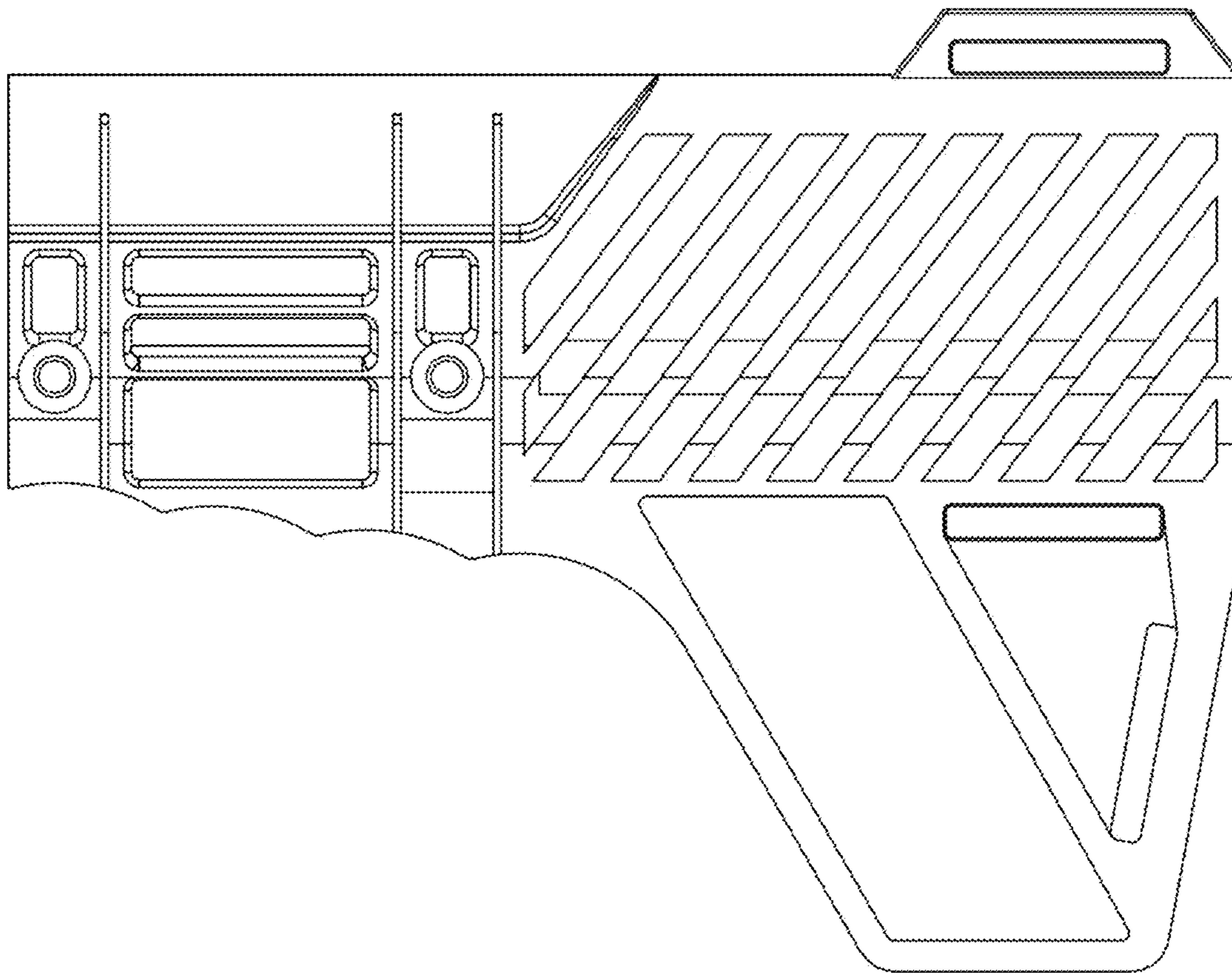


FIG.1

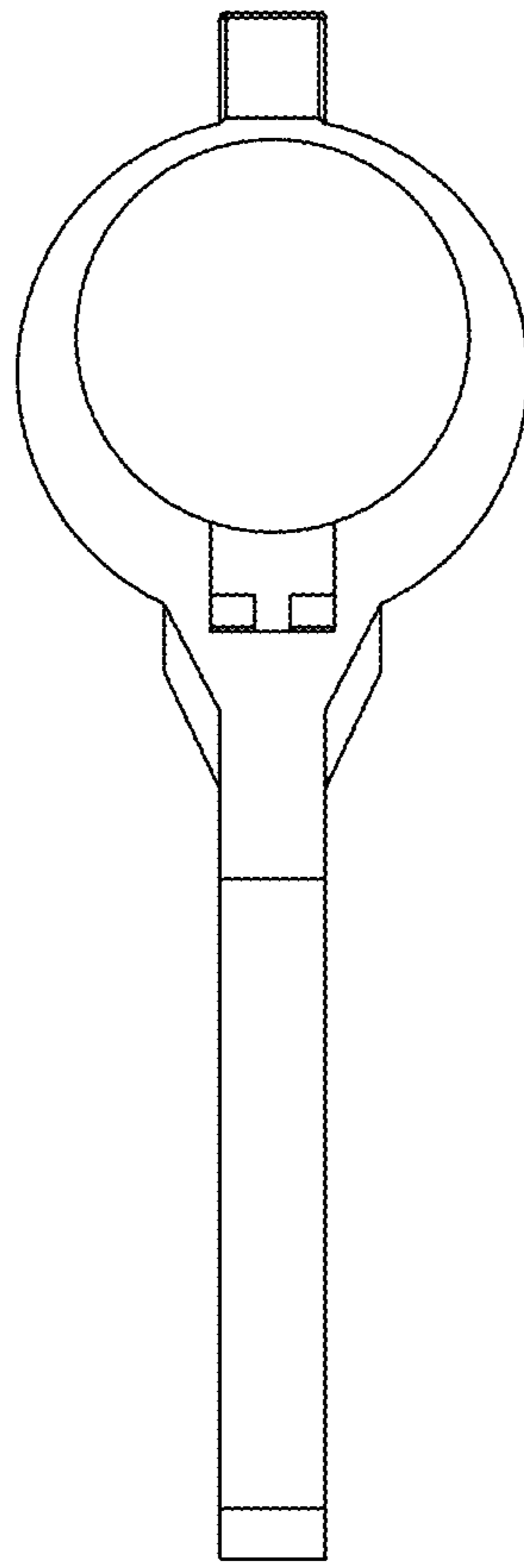


FIG.2

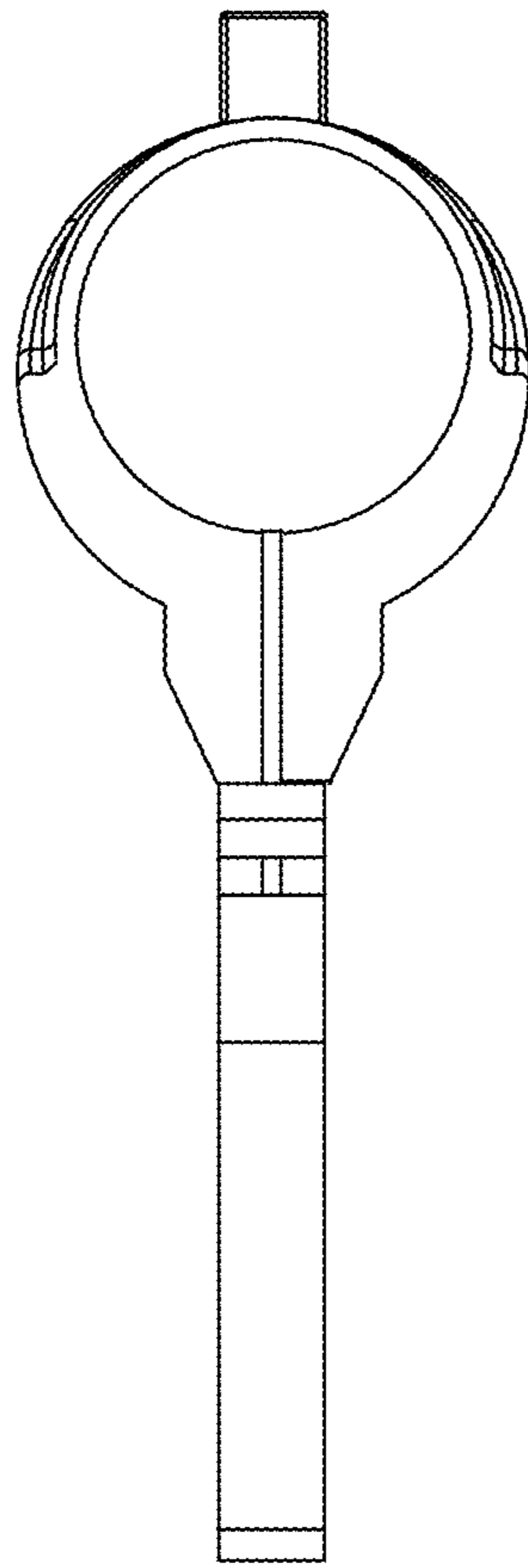


FIG.3

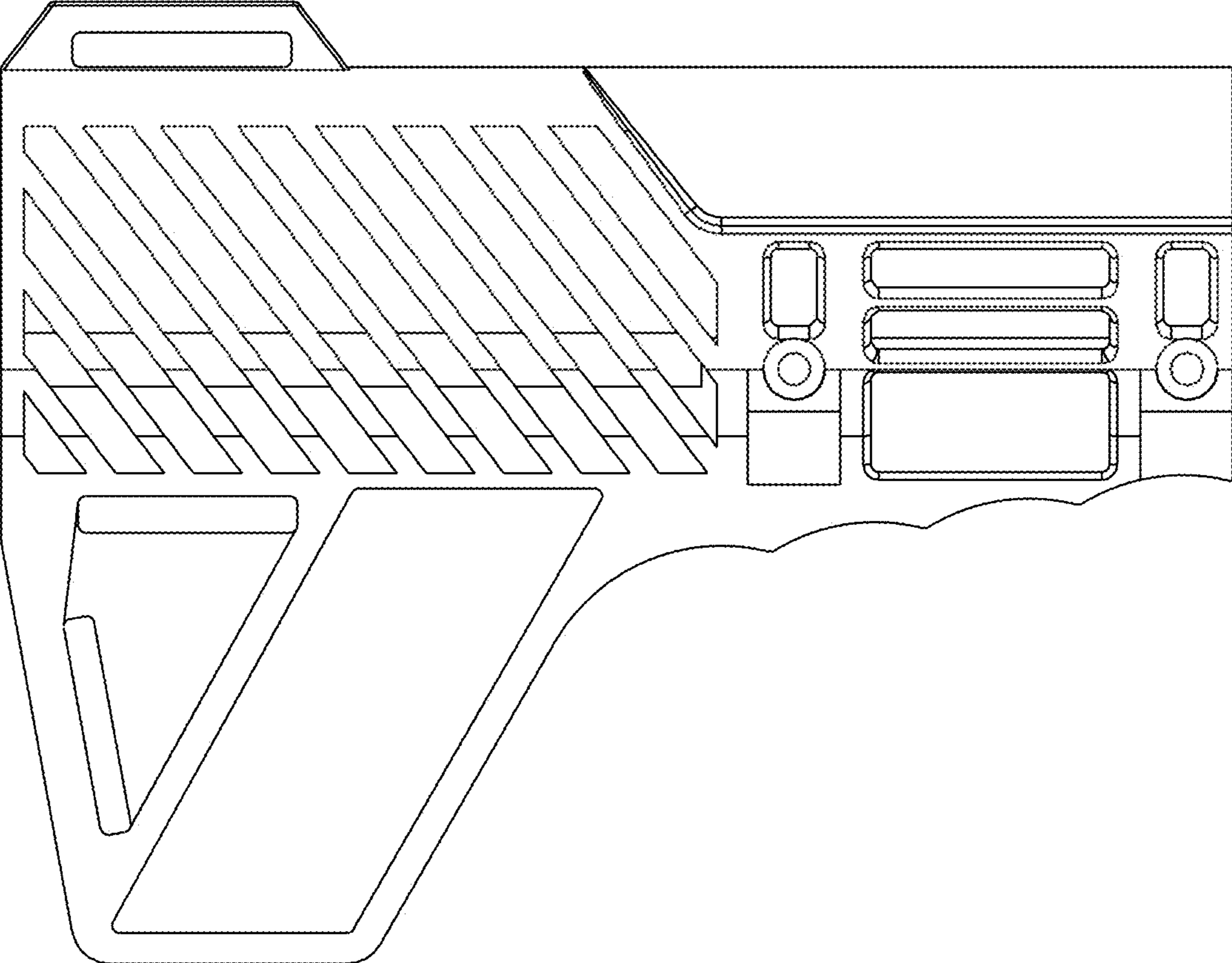


FIG.4

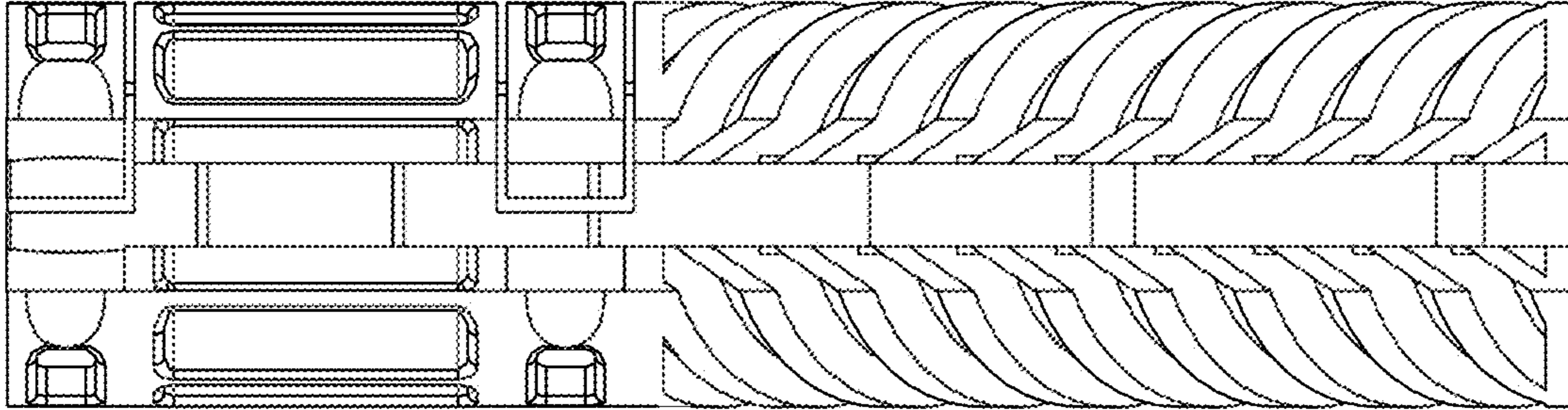


FIG.5

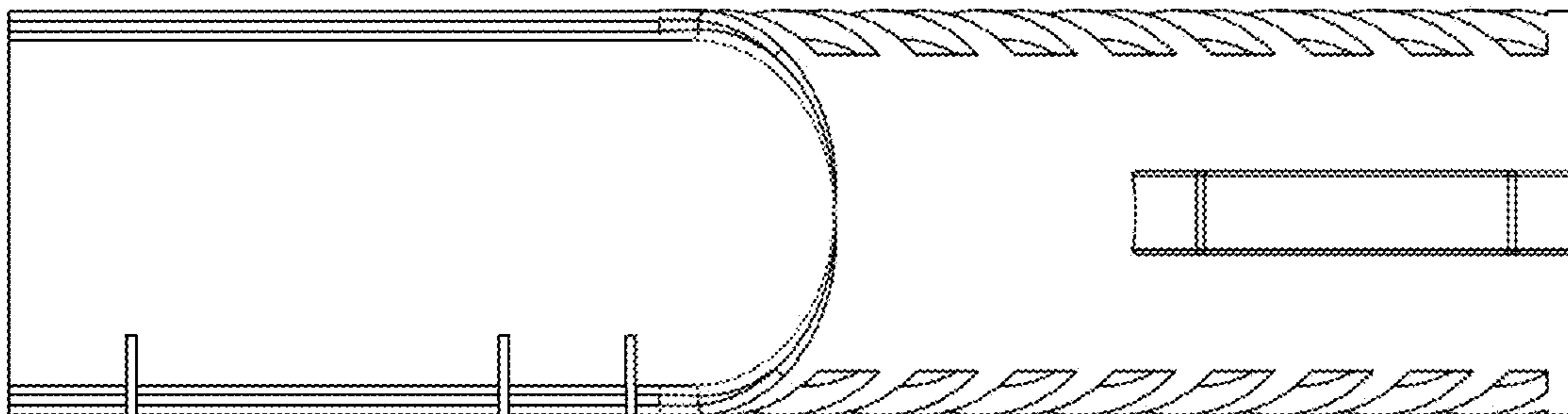


FIG.6

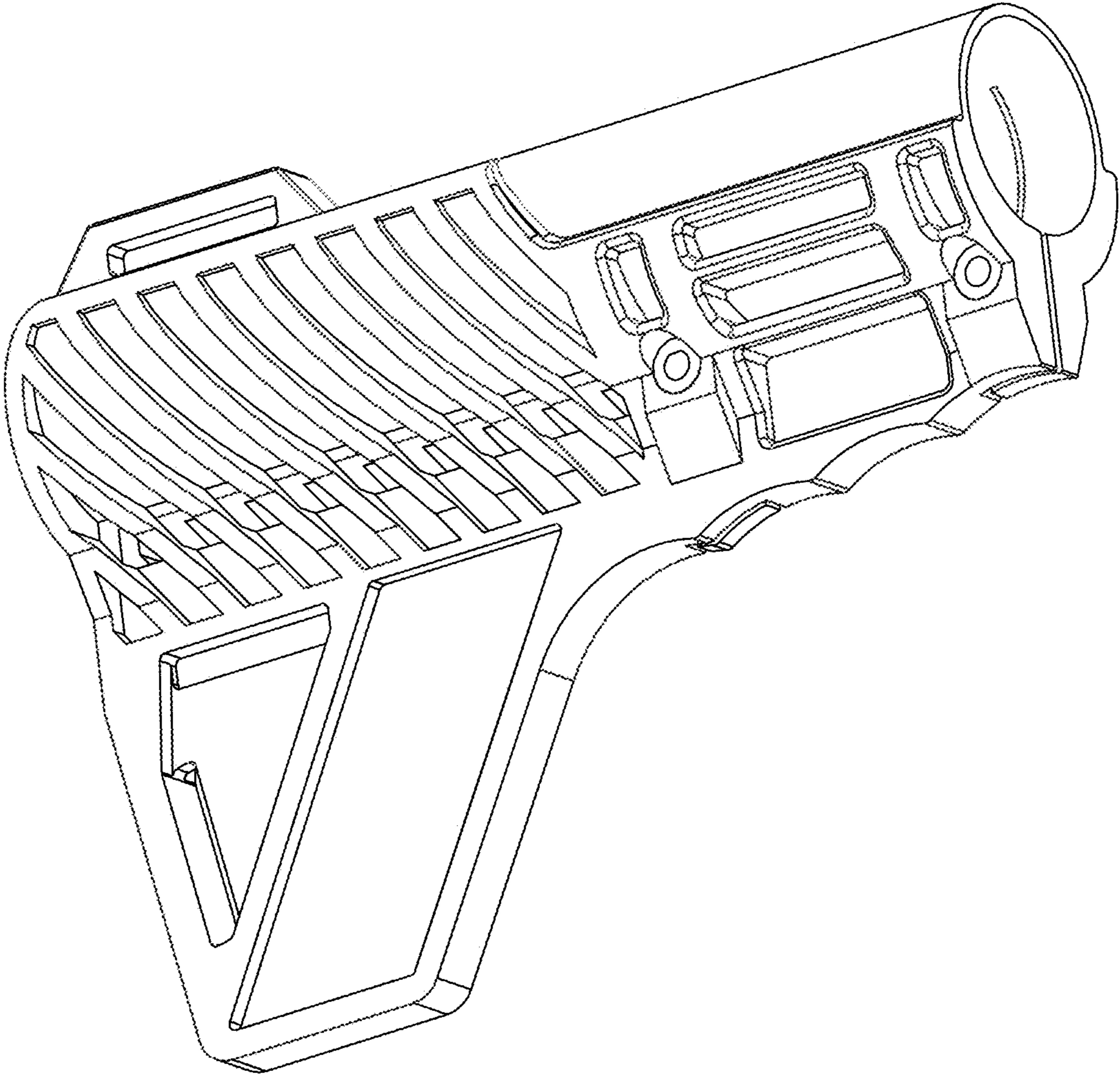


FIG.7

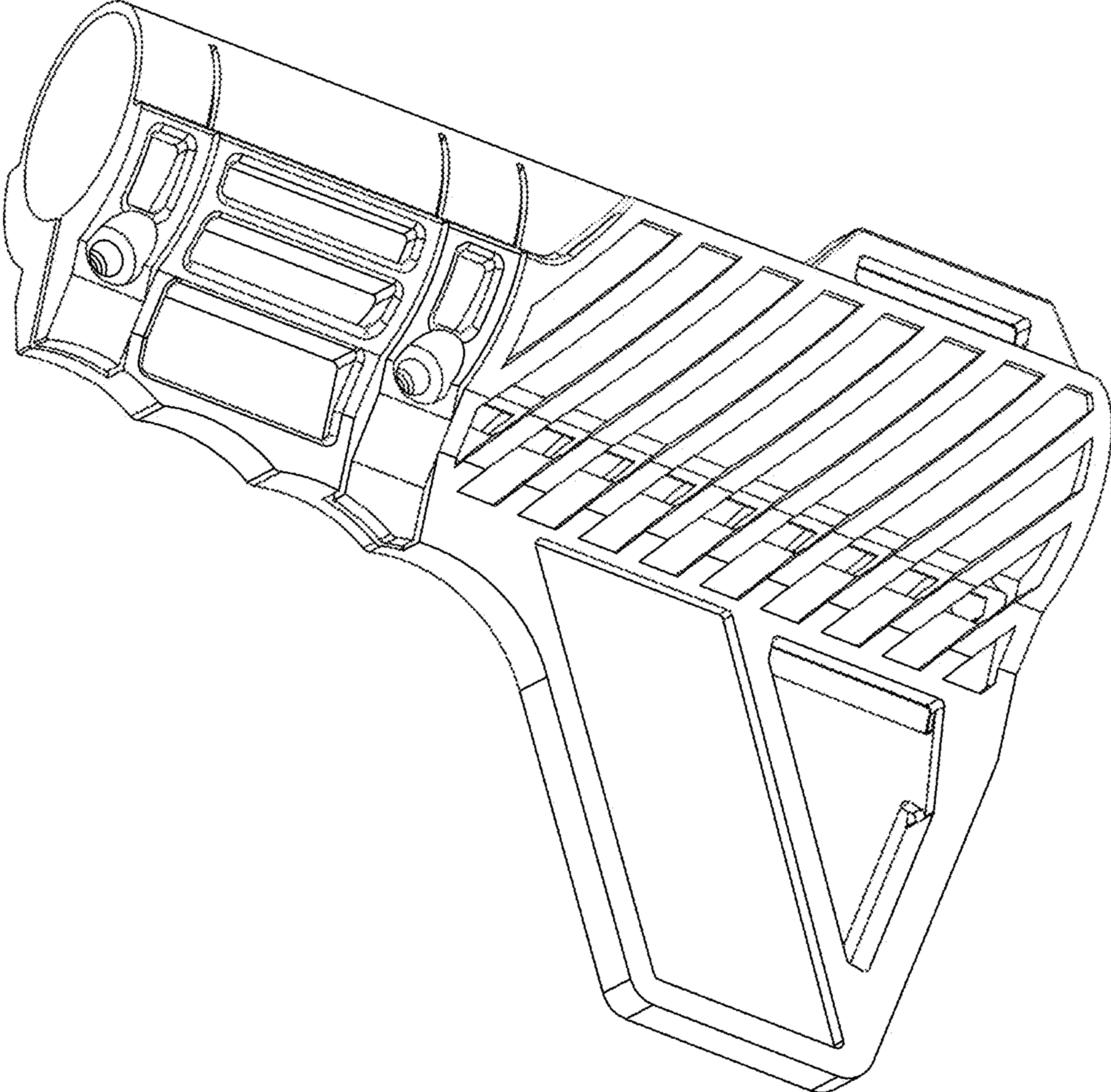


FIG.8

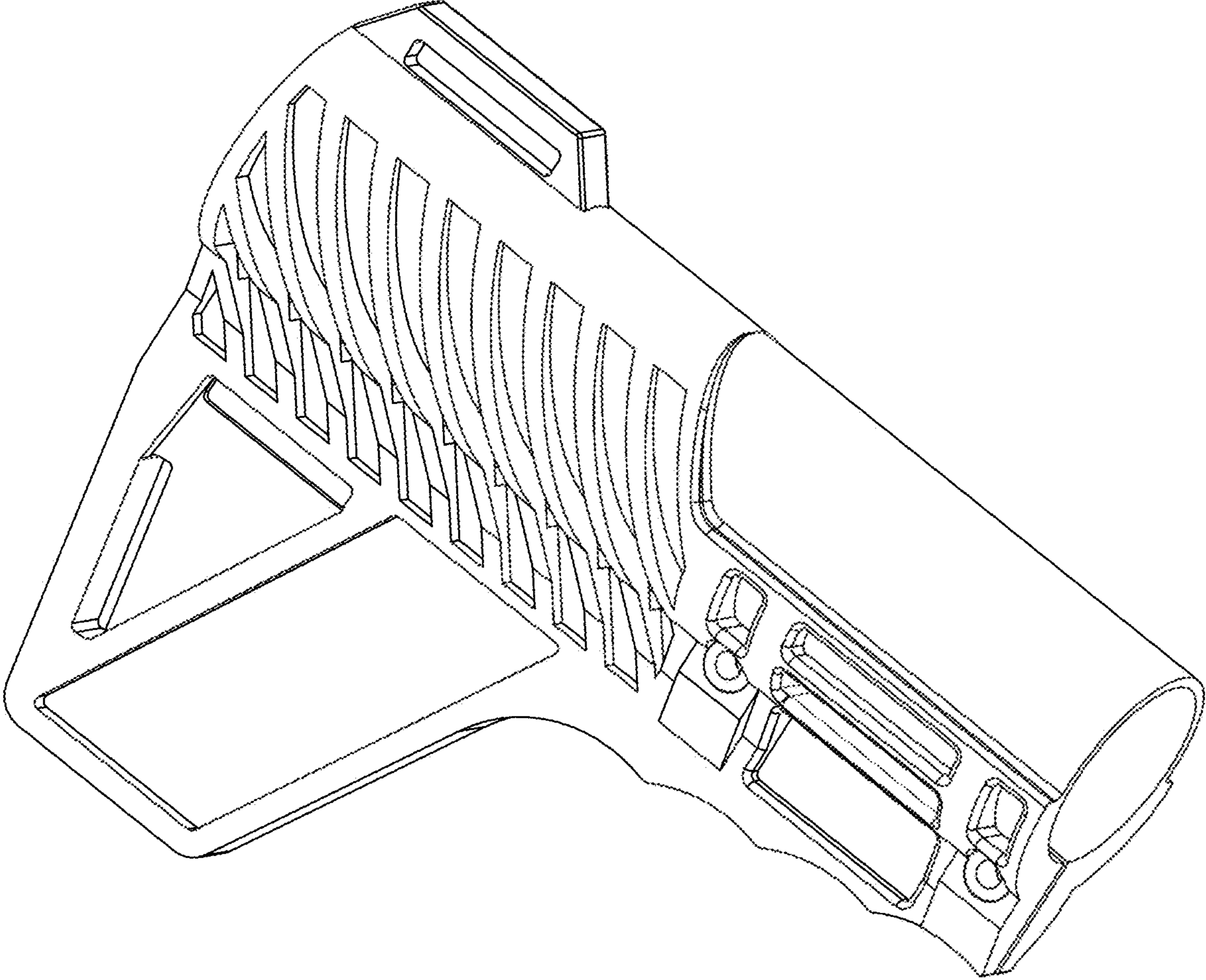


FIG.9