



US00D897479S

(12) **United States Design Patent**  
**McLeroy et al.**

(10) **Patent No.:** **US D897,479 S**

(45) **Date of Patent:** **\*\* Sep. 29, 2020**

(54) **TRIGGER GUARD AND MAGAZINE LATCH ASSEMBLY**

(71) Applicant: **Daniel Defense, Inc.**, Black Creek, GA (US)

(72) Inventors: **Daniel McLeroy**, Savannah, GA (US);  
**Marvin C. Daniel**, Pooler, GA (US)

(73) Assignee: **DANIEL DEFENSE, INC.**, Black Creek, GA (US)

(\*\*) Term: **15 Years**

(21) Appl. No.: **29/677,442**

(22) Filed: **Jan. 21, 2019**

(51) **LOC (12) Cl.** ..... **22-01**

(52) **U.S. Cl.**  
USPC ..... **D22/108**; D22/103

(58) **Field of Classification Search**  
USPC ..... D22/100, 103, 108, 109, 113, 115, 116,  
D22/199; D21/302, 567, 573  
CPC .... F41C 7/00; F41C 23/16; F41G 1/02; F41G  
1/027; F41G 1/14; F41J 1/10; F42B 6/10;  
F42B 7/00; F42B 7/02; F41A 17/38  
See application file for complete search history.

(56) **References Cited**

**U.S. PATENT DOCUMENTS**

5,899,013	A *	5/1999	Hauser	.....	F41A 17/38 42/6
D623,718	S *	9/2010	Peterson	.....	D22/108
D638,901	S *	5/2011	Wright	.....	D22/108
D640,766	S *	6/2011	Joplin	.....	D22/108
8,434,253	B2 *	5/2013	Cain	.....	F41A 17/38 42/49.01
8,959,818	B2 *	2/2015	Mayerl	.....	F41A 9/55 42/6
D751,165	S *	3/2016	Miller	.....	D22/108

D755,331	S *	5/2016	Eitan	.....	D22/108
9,513,077	B2 *	12/2016	Noro	.....	F41A 17/38
9,766,029	B2 *	9/2017	Dextraze	.....	F41A 29/00
D816,793	S *	5/2018	McCallum	.....	D22/108
10,036,602	B1 *	7/2018	Nuss	.....	F41A 3/72

(Continued)

**OTHER PUBLICATIONS**

“Magpul—Pro 700 Rifle Chassis” [online]. Magpul. [Published Jan. 15, 2018]. Retrieved from the Internet: <<https://www.youtube.com/watch?v=lTy7fh1t0c8>>.\*

(Continued)

*Primary Examiner* — Khawaja Anwar

*Assistant Examiner* — Mojtaba Tehrani

(74) *Attorney, Agent, or Firm* — Eversheds Sutherland (US) LLP

(57) **CLAIM**

We claim the ornamental design for a trigger guard and magazine latch assembly, as shown and described.

**DESCRIPTION**

FIG. 1 is a perspective view of a trigger guard and a magazine latch assembly disposed on a firearm according to the disclosure;

FIG. 2 is a bottom perspective view of the trigger guard and the magazine latch assembly according to the disclosure;

FIG. 3 is a top view thereof;

FIG. 4 is a bottom view thereof;

FIG. 5 is a side view thereof;

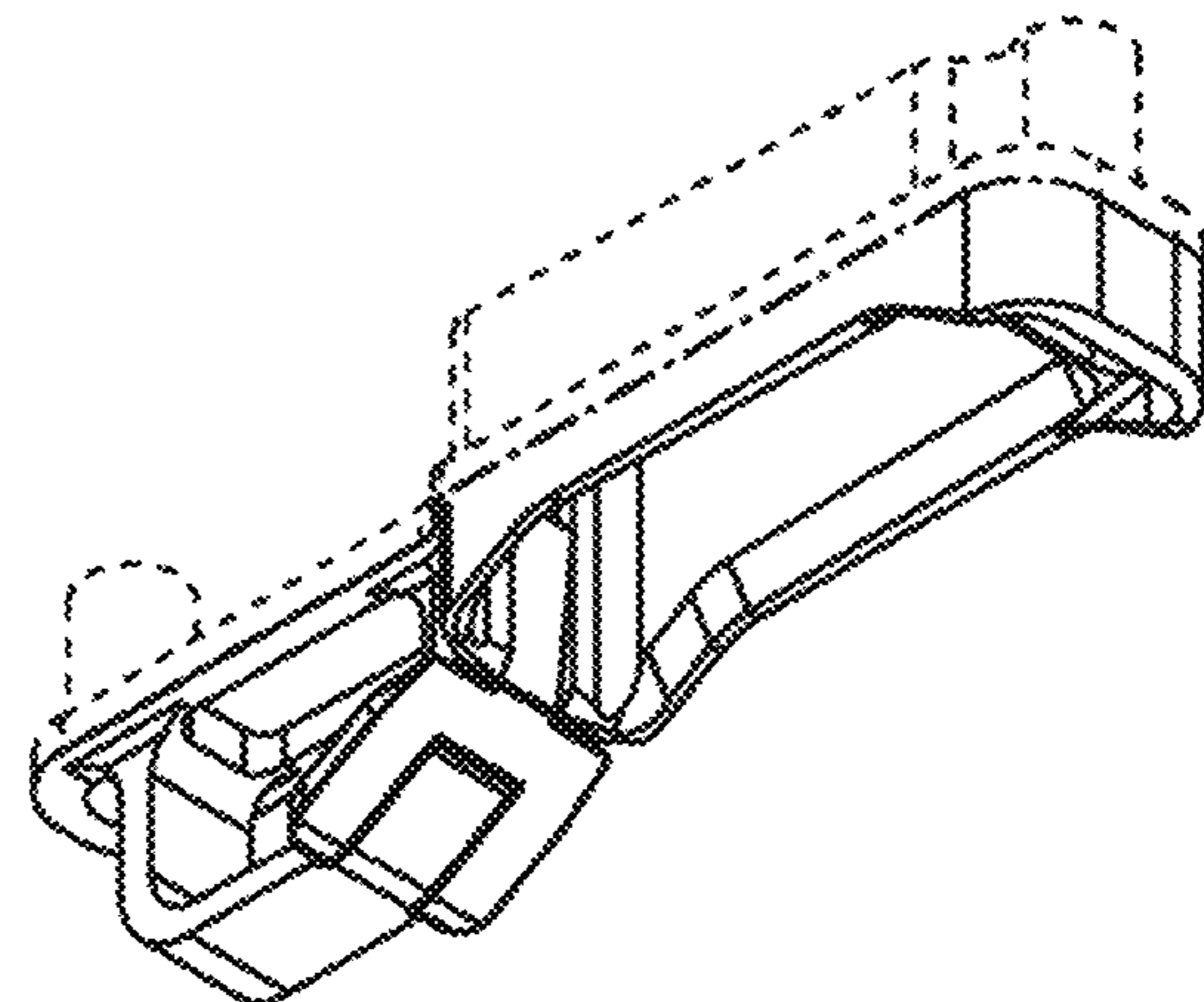
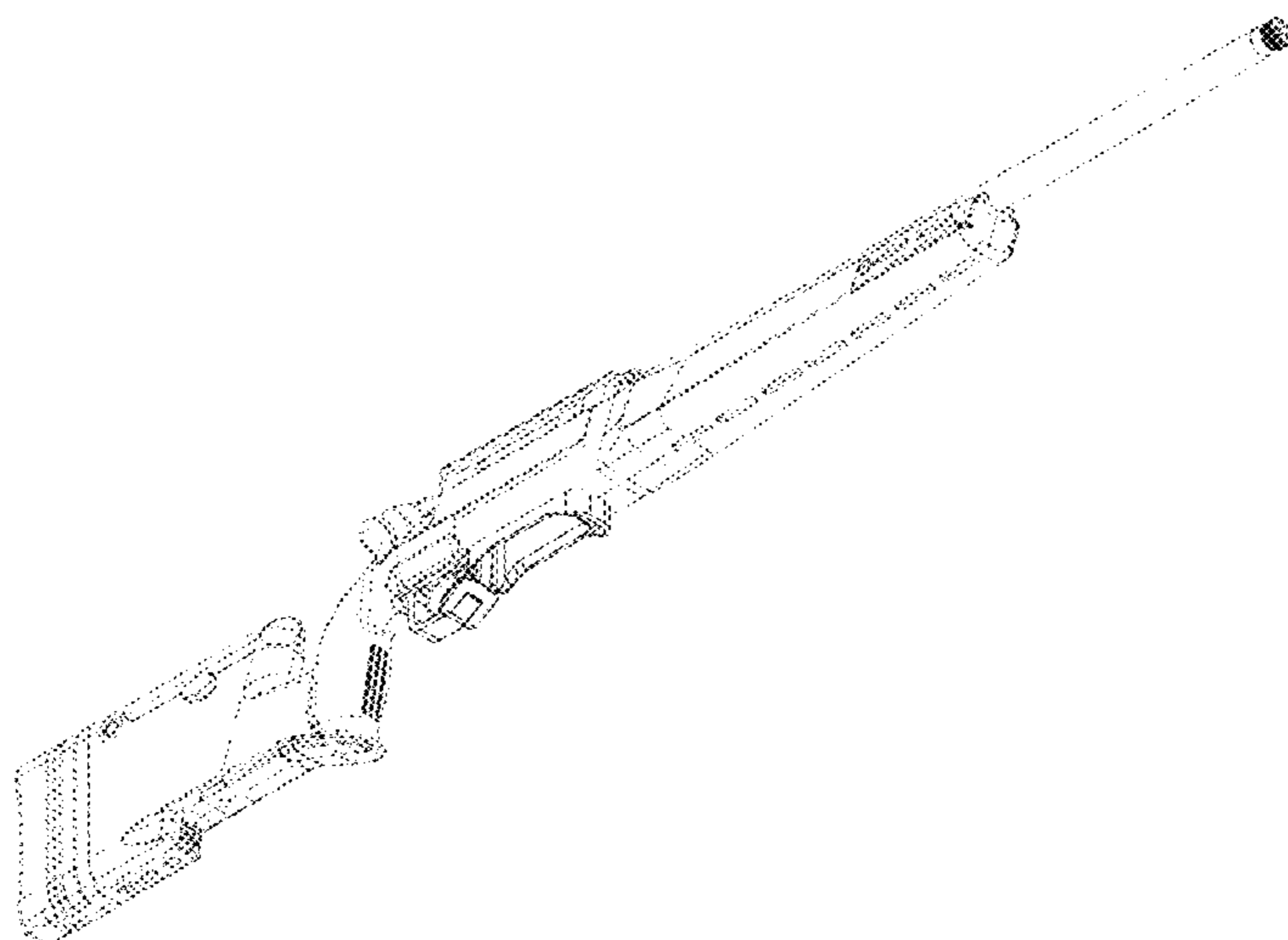
FIG. 6 is a side view thereof;

FIG. 7 is a front view thereof; and,

FIG. 8 is a rear view thereof.

The evenly broken lines in the drawings depict unclaimed subject matter, and the dash-dot broken lines illustrate the bounds of the claimed subject matter. The evenly broken lines and the dash-dot broken lines do not form a part of the claimed design.

**1 Claim, 8 Drawing Sheets**



(56)

**References Cited**

U.S. PATENT DOCUMENTS

10,101,102 B2 \* 10/2018 Eitan ..... F41A 11/02  
10,215,519 B2 \* 2/2019 Drake ..... F41A 35/06  
D868,924 S \* 12/2019 Nuss ..... D22/108  
D871,536 S \* 12/2019 Lessard ..... D22/108  
2012/0085009 A1 \* 4/2012 Crow ..... F41A 3/66  
42/6  
2014/0075815 A1 \* 3/2014 Jarboe ..... F41C 23/04  
42/73  
2014/0165440 A1 \* 6/2014 Mayerl ..... F41A 9/55  
42/6  
2019/0128639 A1 \* 5/2019 Parker ..... F41C 23/14

OTHER PUBLICATIONS

“Delta 5—Daniel Defense’s New Precision Bolt Action Rifle”  
[online]. Tom Beckstrand. [Published Jan. 20, 2019]. Retrieved  
from the Internet: <<https://www.gunsandammo.com/editorial/delta-5-daniel-defenses-new-precision-bolt-action-rifle/331104>>.\*

\* cited by examiner

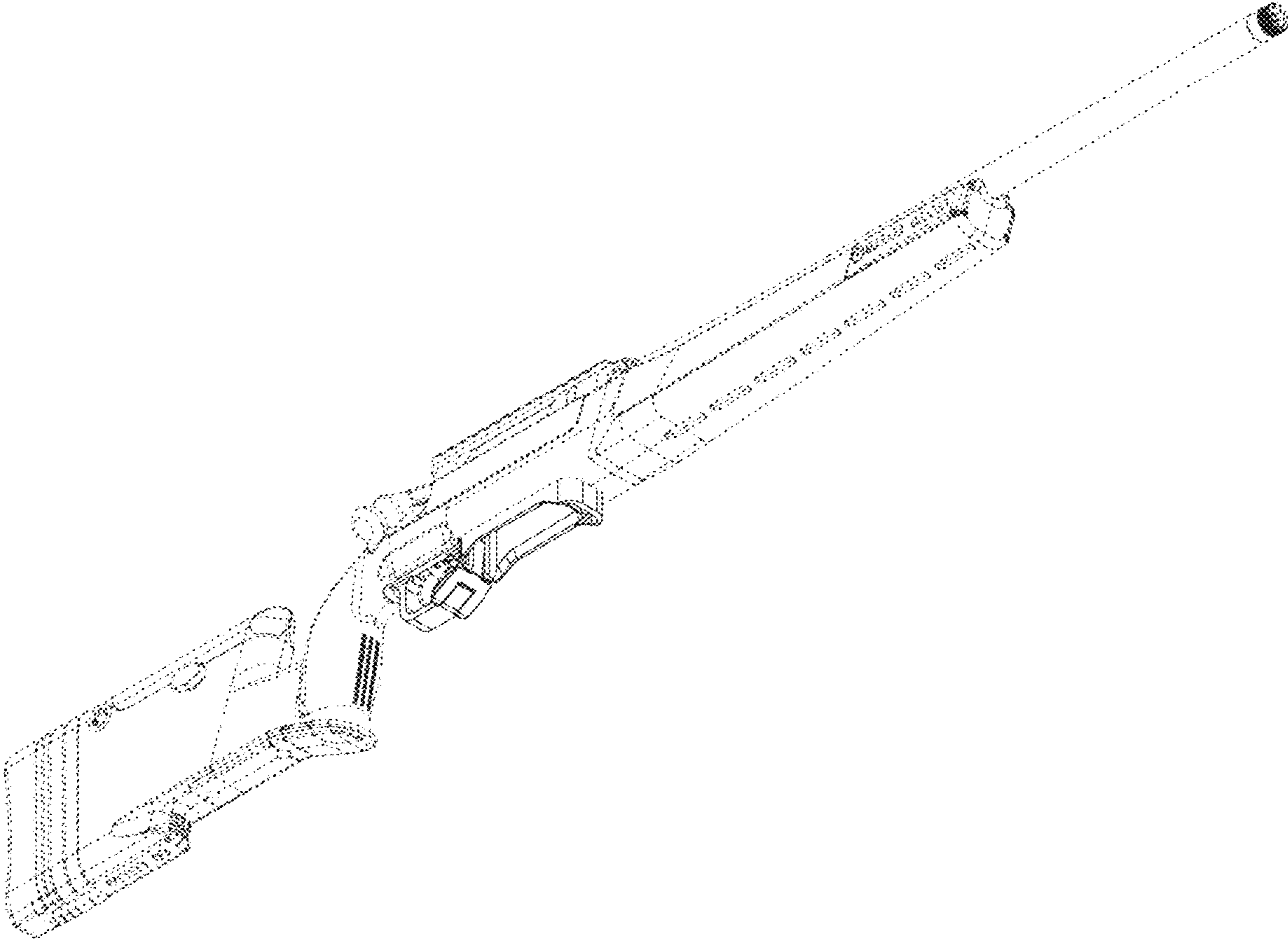


FIG. 1

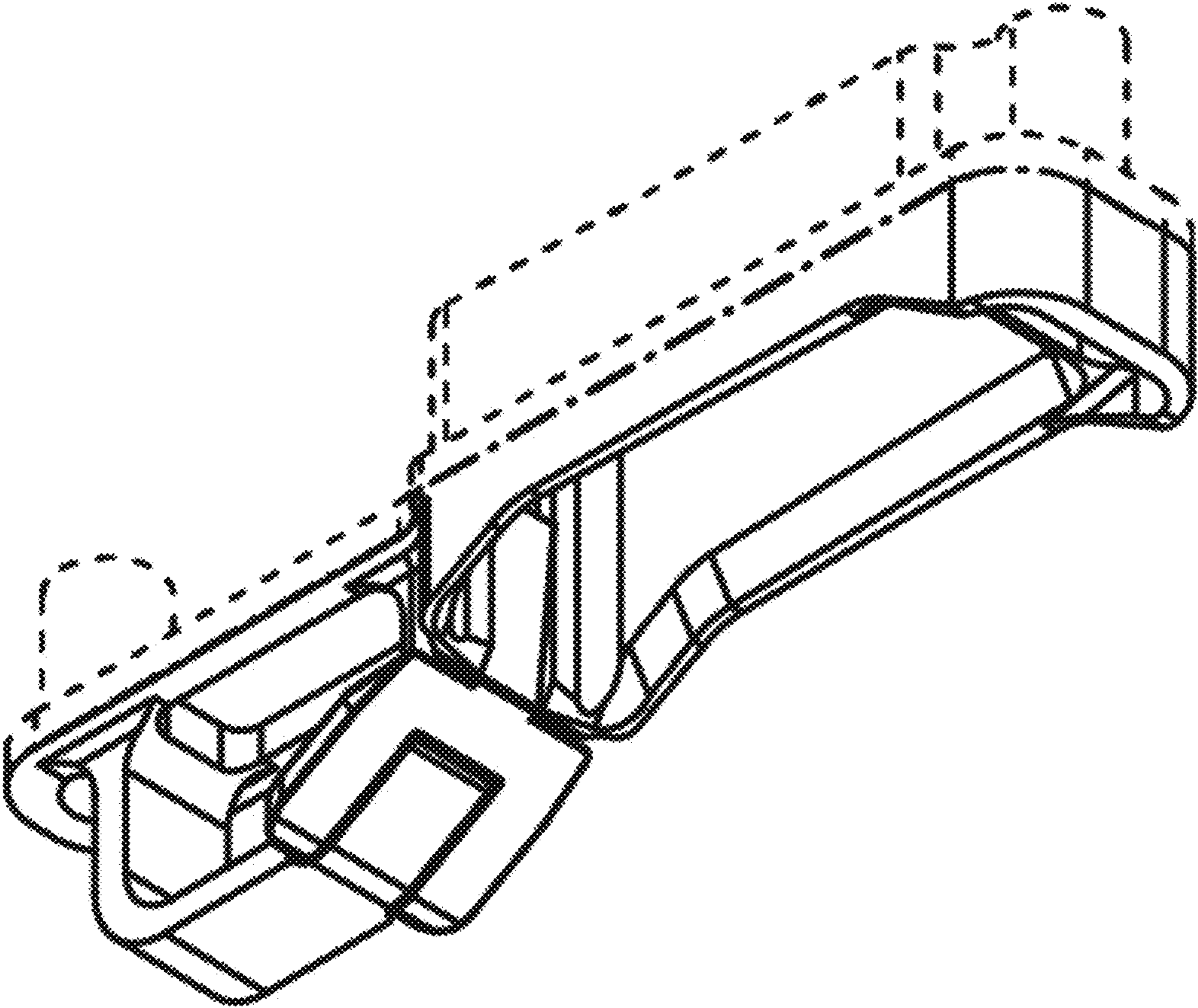


FIG. 2

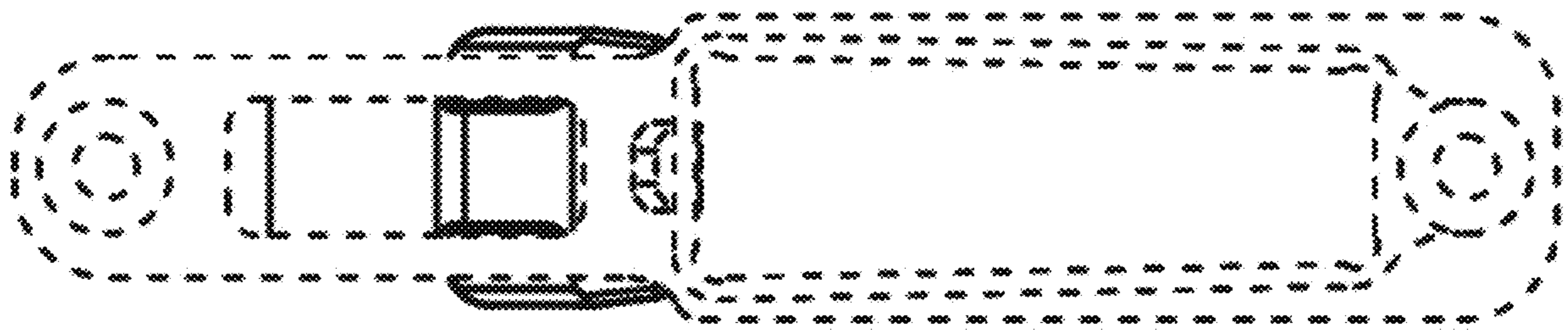


FIG. 3

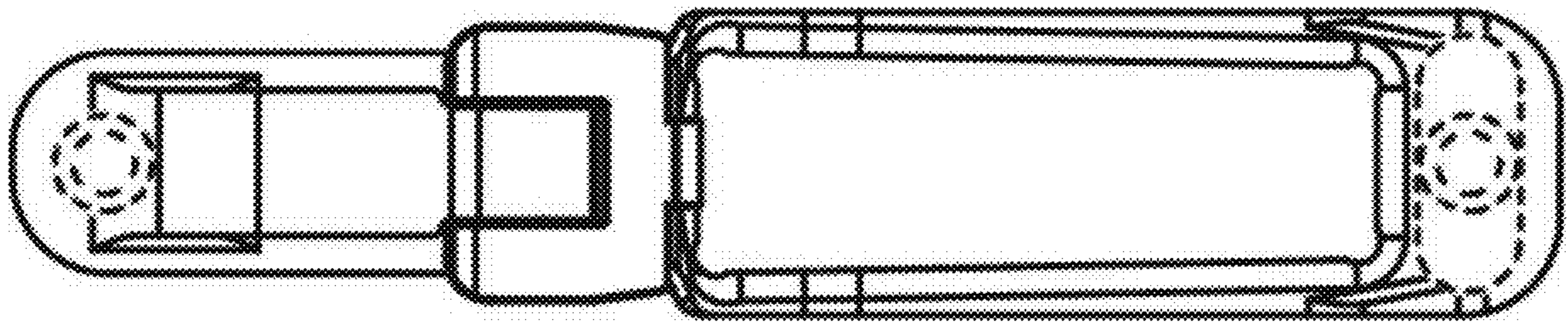


FIG. 4

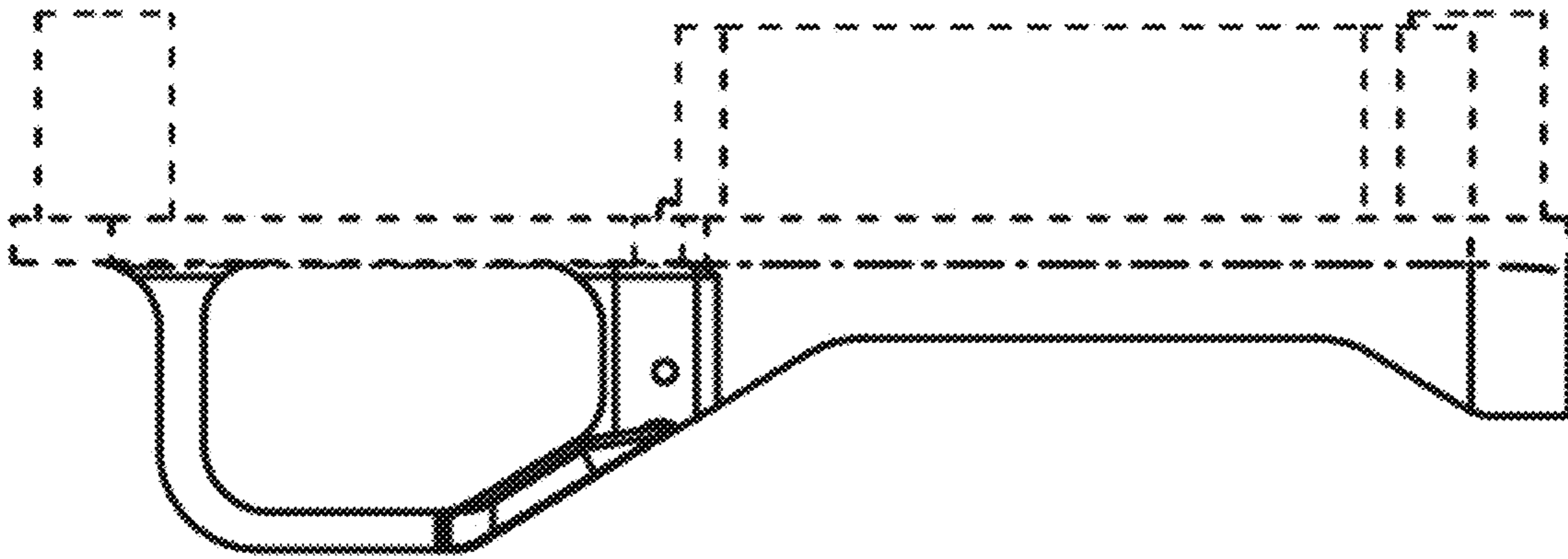


FIG. 5

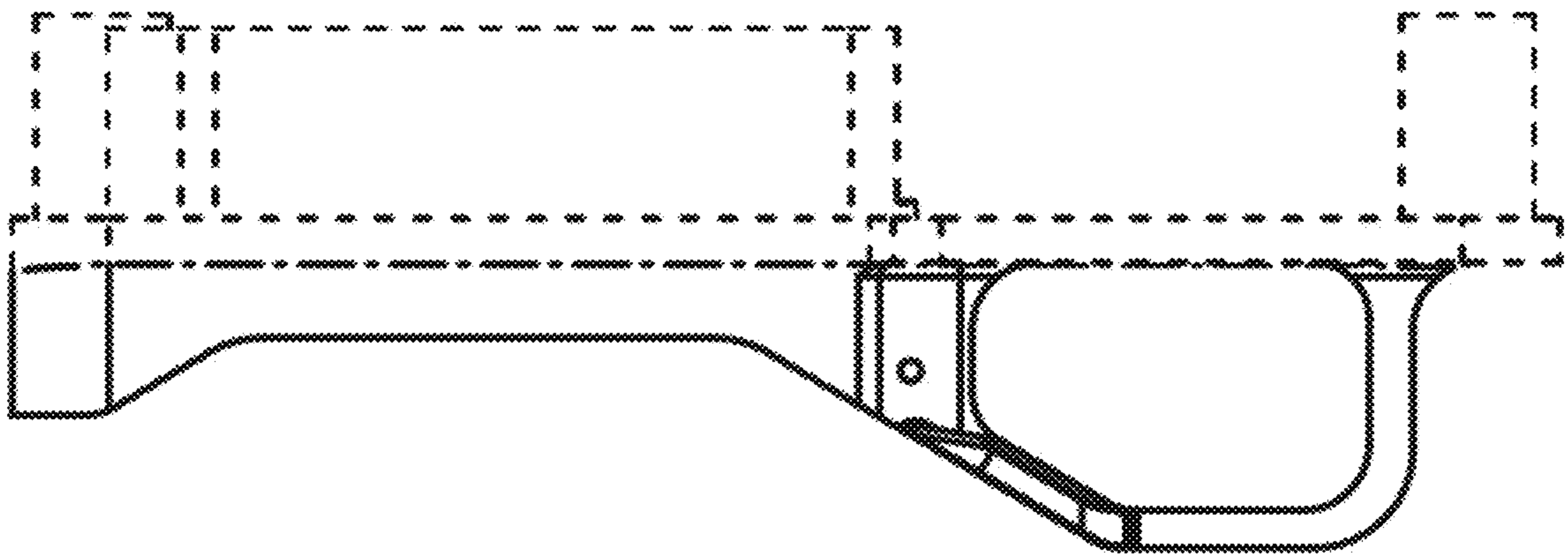


FIG. 6



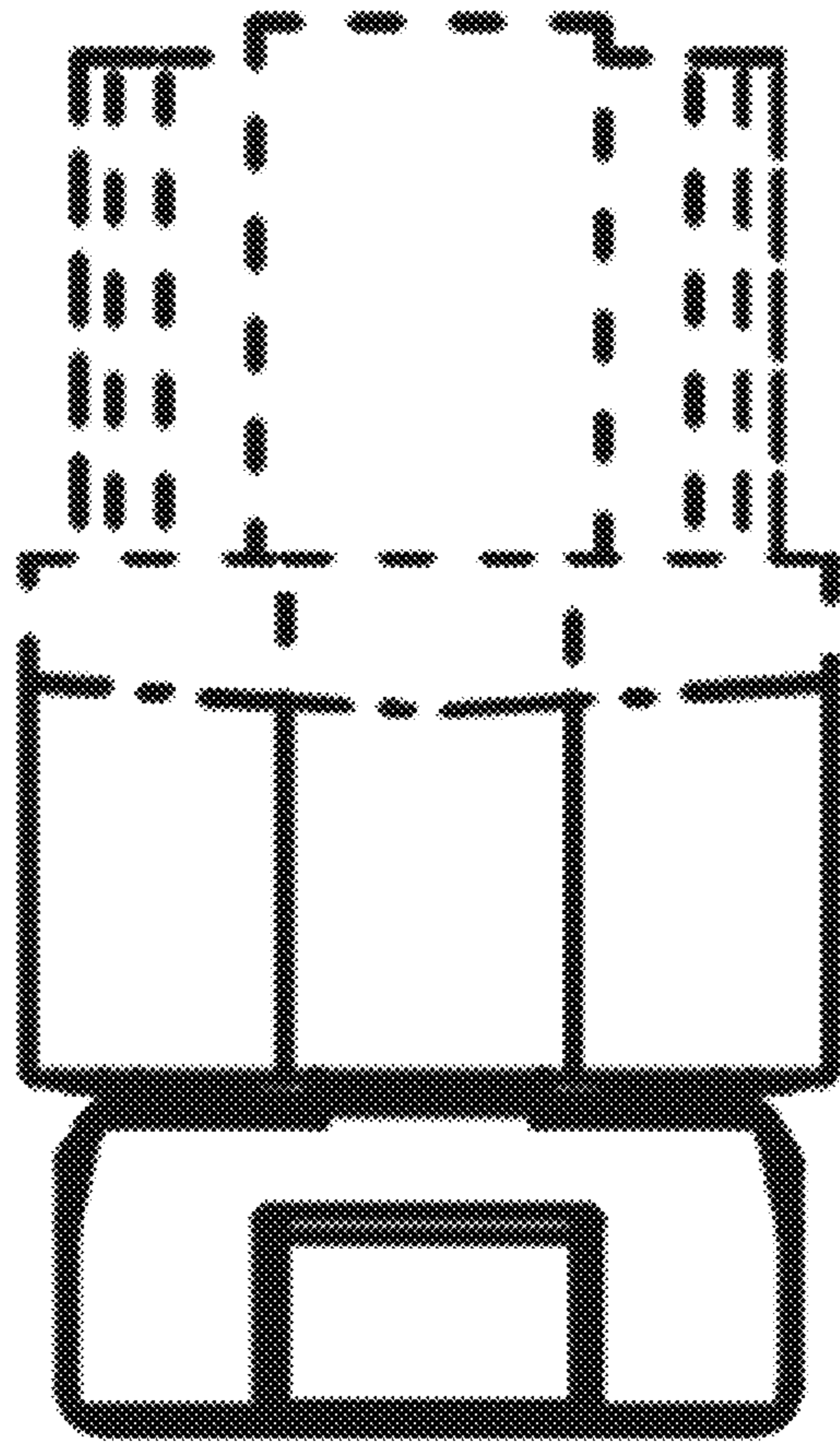


FIG. 7

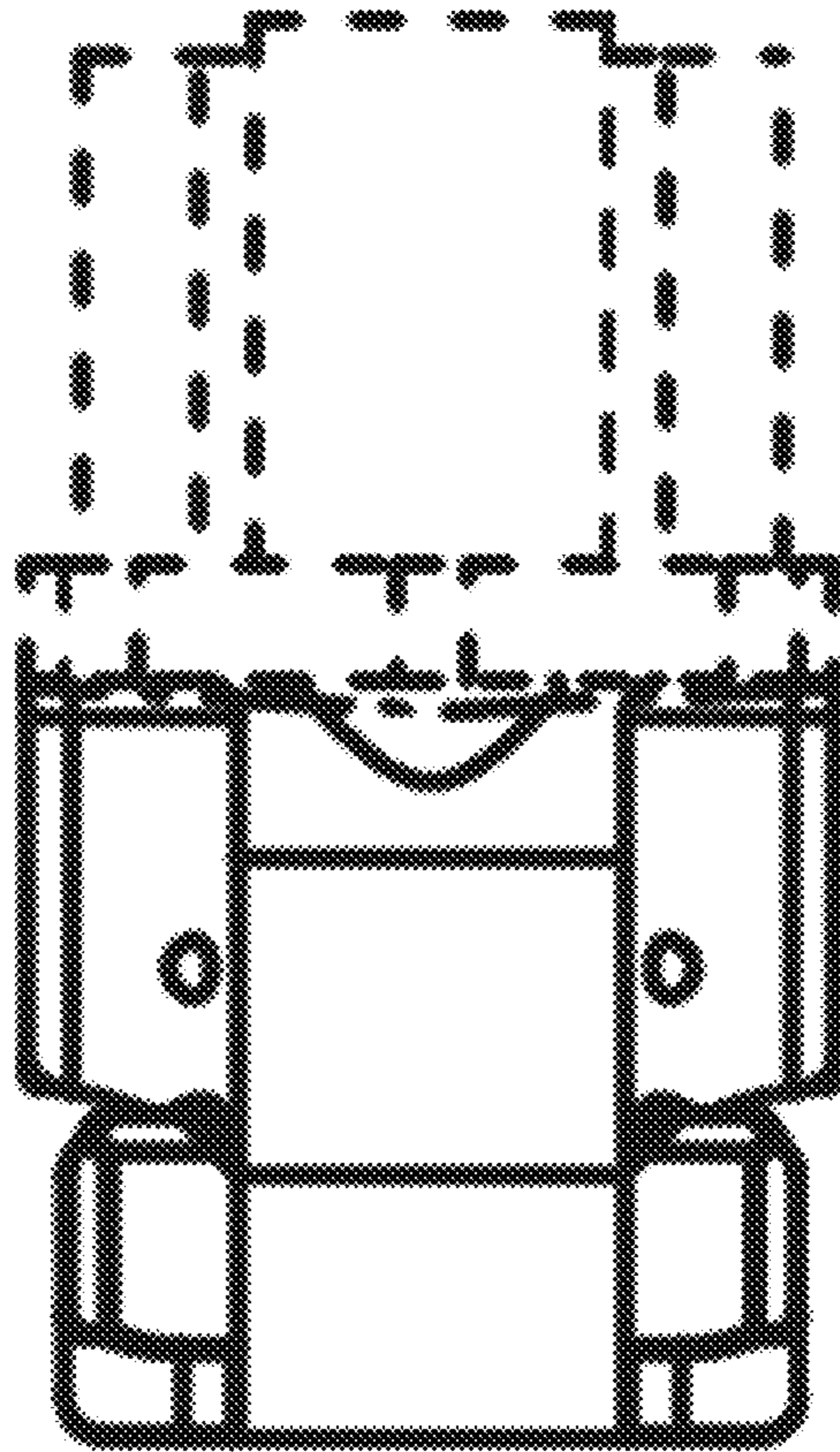


FIG. 8