



US00D897477S

(12) **United States Design Patent**  
**Jonsson**

(10) **Patent No.:** **US D897,477 S**

(45) **Date of Patent:** **\*\* Sep. 29, 2020**

(54) **BULLPUP CONVERSION KIT FOR A FIREARM**

(71) Applicant: **Manticore Arms, Inc.**, Elburn, IL (US)

(72) Inventor: **Sven Jonsson**, North Aurora, IL (US)

(73) Assignee: **Manticore Arms, Inc.**, Elburn, IL (US)

(\*\*) Term: **15 Years**

(21) Appl. No.: **29/630,632**

(22) Filed: **Dec. 21, 2017**

(51) **LOC (12) Cl.** ..... **22-01**

(52) **U.S. Cl.**  
USPC ..... **D22/108**

(58) **Field of Classification Search**  
USPC ..... D22/103, 108, 199; D21/567, 573  
CPC ..... F41A 11/02  
See application file for complete search history.

(56) **References Cited**

**U.S. PATENT DOCUMENTS**

7,356,958	B2	4/2008	Weir	
9,115,954	B1 *	8/2015	Corsi	F41C 7/02
D745,103	S *	12/2015	Corsi	D22/103
9,217,617	B1 *	12/2015	Mapes	F41A 17/38
9,677,846	B1 *	6/2017	Vankeuren, III	F41C 23/20
2011/0283582	A1	11/2011	Hunter et al.	
2012/0298087	A1 *	11/2012	Trpkovski	F41B 5/10 124/25
2013/0185975	A1	7/2013	Johnson	
2014/0075812	A1	3/2014	Johnson	
2014/0360076	A1 *	12/2014	Zamlinsky	F41C 23/20 42/75.03
2015/0233665	A1 *	8/2015	Trpkovski	F41B 5/12 124/25

(Continued)

**OTHER PUBLICATIONS**

The Firearm Blog website, Bullpup Scorpion: Manticore Arms CZ Chassis, Publication date Sep. 15, 2018, [site visited 32 Aug. 2019],

Available on the Internet URL <https://www.thefirearmblog.com/blog/2018/09/15/bullpup-scorpion/> (Year: 2018).\*

(Continued)

*Primary Examiner* — Karen S Acker

*Assistant Examiner* — Steven B Reinholdt, Jr.

(74) *Attorney, Agent, or Firm* — Harness, Dickey & Pierce, P.L.C.

(57) **CLAIM**

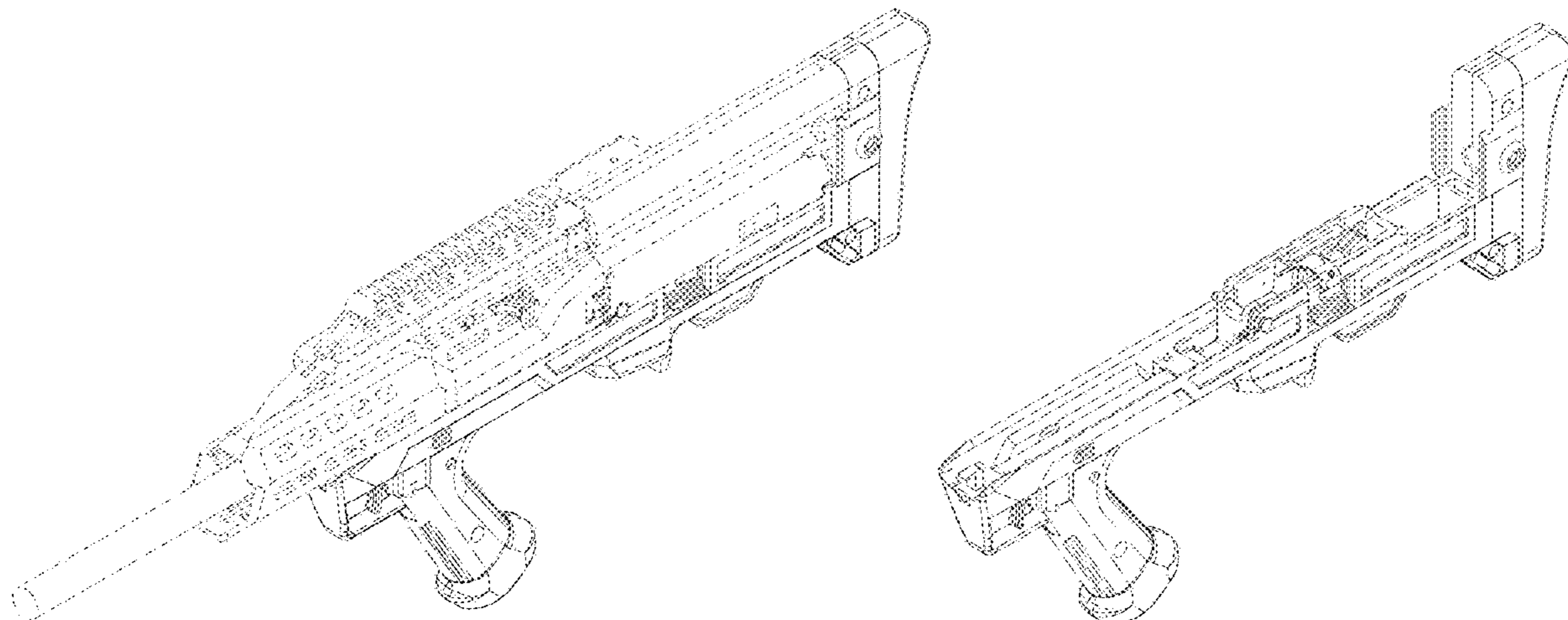
I claim the ornamental design for a bullpup conversion kit for a firearm, as shown and described.

**DESCRIPTION**

FIG. 1 is a front perspective view showing a bullpup conversion kit for a firearm in a position of use; FIG. 2 is a rear perspective view thereof; FIG. 3 is another rear perspective view thereof; FIG. 4 is another front perspective view thereof; FIG. 5 is a right side elevational view thereof; FIG. 6 is a left side elevational view thereof; FIG. 7 is a front perspective view showing the bullpup conversion kit for a firearm of FIG. 1 without the environment; FIG. 8 is a rear perspective view thereof; FIG. 9 is a top elevational view thereof; FIG. 10 is a right side elevational view thereof; FIG. 11 is a left side elevational view thereof; FIG. 12 is a bottom elevational view thereof; FIG. 13 is a front elevational view thereof; and, FIG. 14 is a rear elevational view thereof.

The broken line showing in FIGS. 1-6 of an upper receiver and a magazine of a firearm is for the purpose of illustrating the environmental structure that forms no part of the claimed design.

**1 Claim, 11 Drawing Sheets**



(56)

**References Cited**

U.S. PATENT DOCUMENTS

2017/0131051 A1\* 5/2017 Albury ..... F41A 11/00  
2018/0195822 A1\* 7/2018 Jonsson ..... F41A 11/02

OTHER PUBLICATIONS

YouTube.com: Gun Funny, Scorpion Evo Bullpup Assembly, Publication date Oct. 2, 2018, [site visited Aug. 23, 2019], Available on the Internet URL <https://www.youtube.com/watch?v=WJ8V1u6O-xY> (Year: 2018).\*

\* cited by examiner

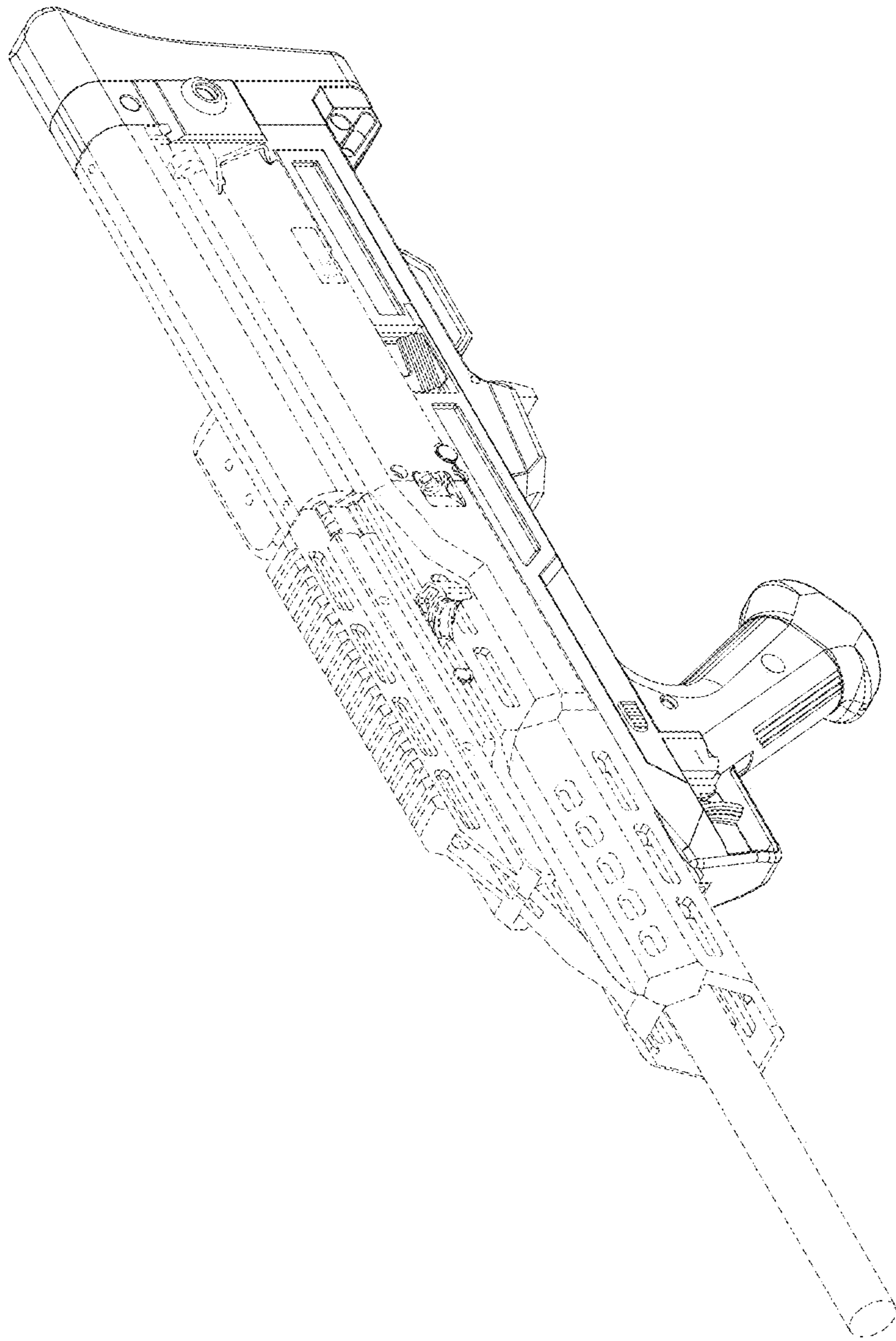


FIG 1

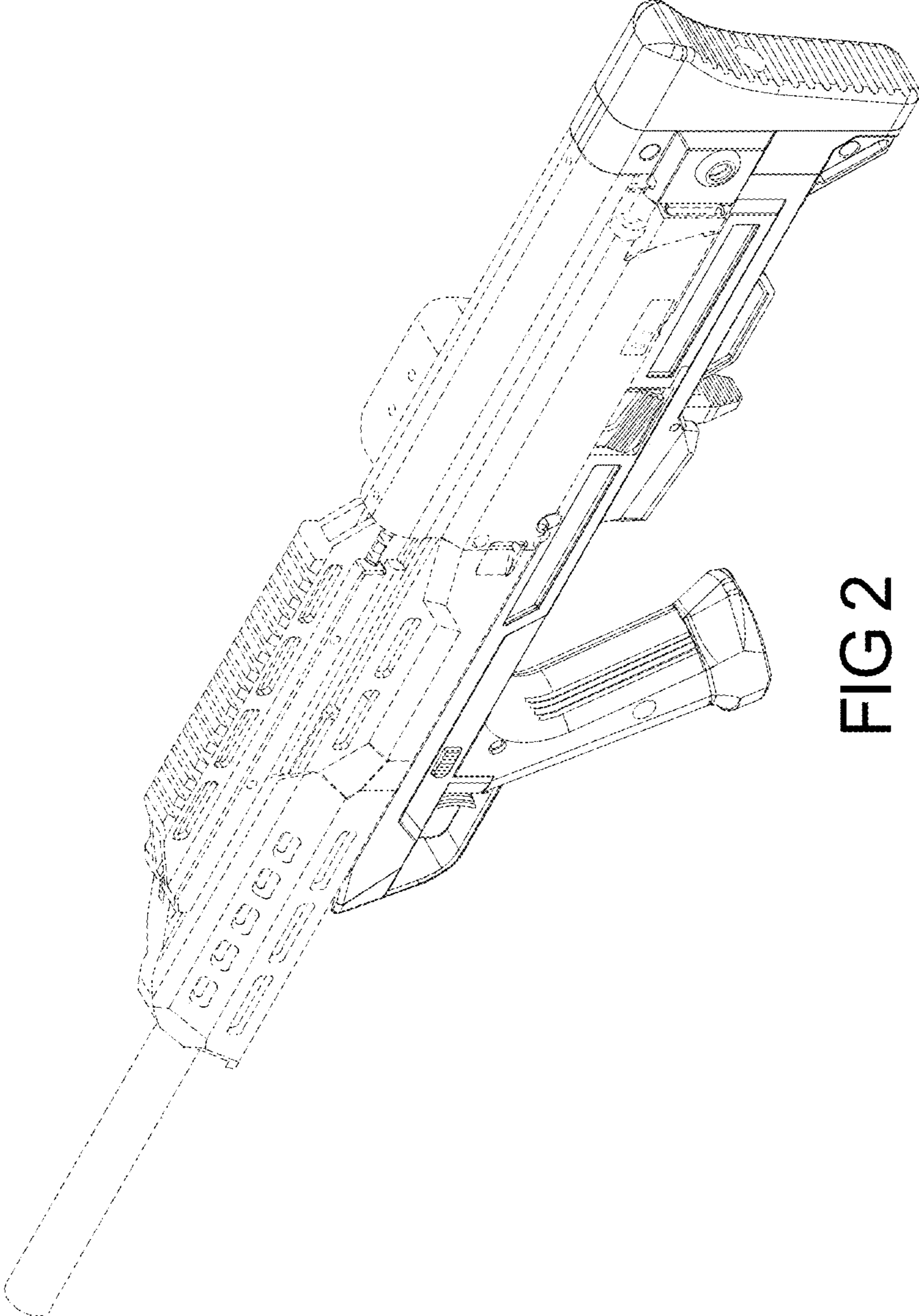


FIG 2

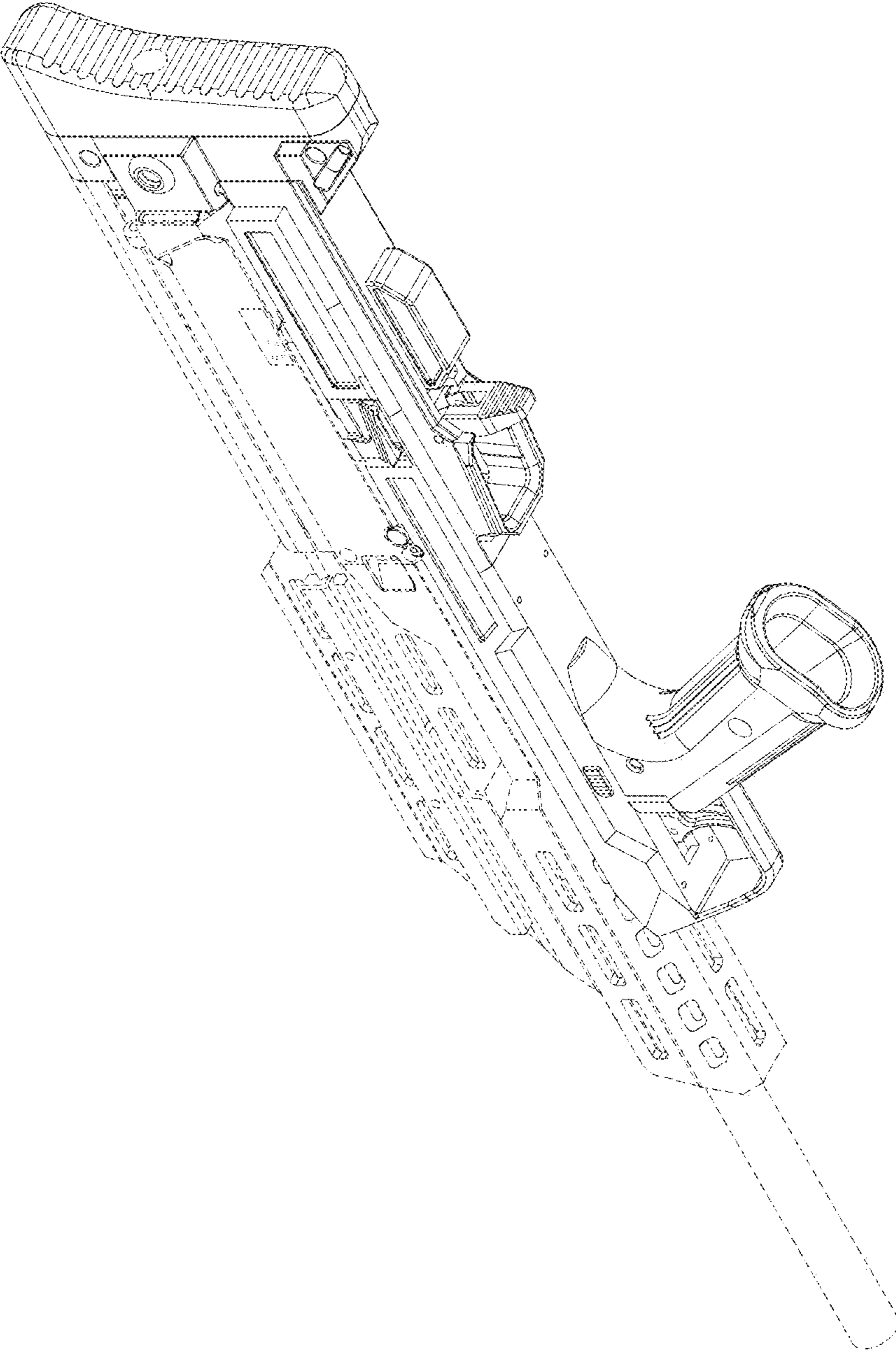


FIG 3

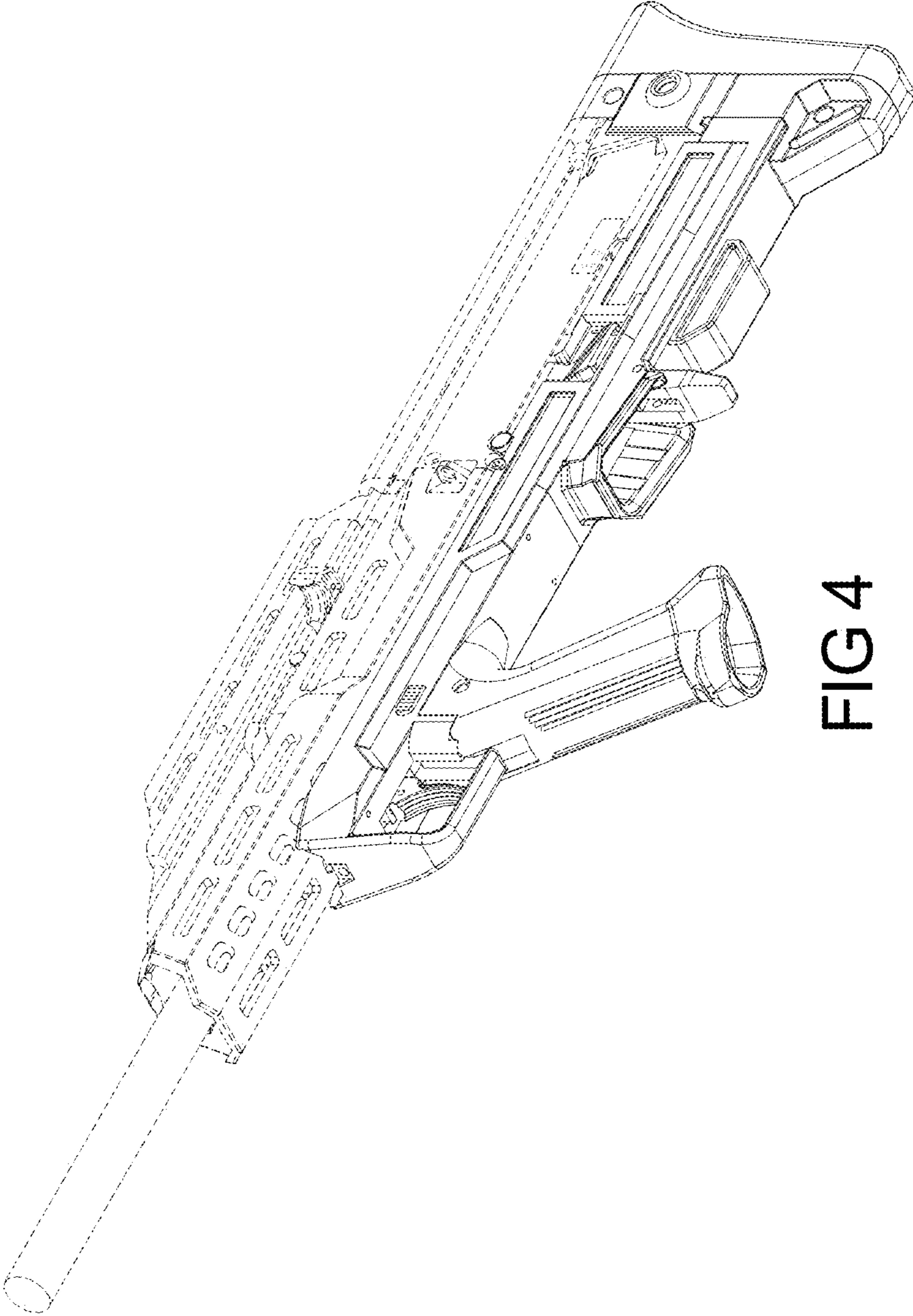


FIG 4

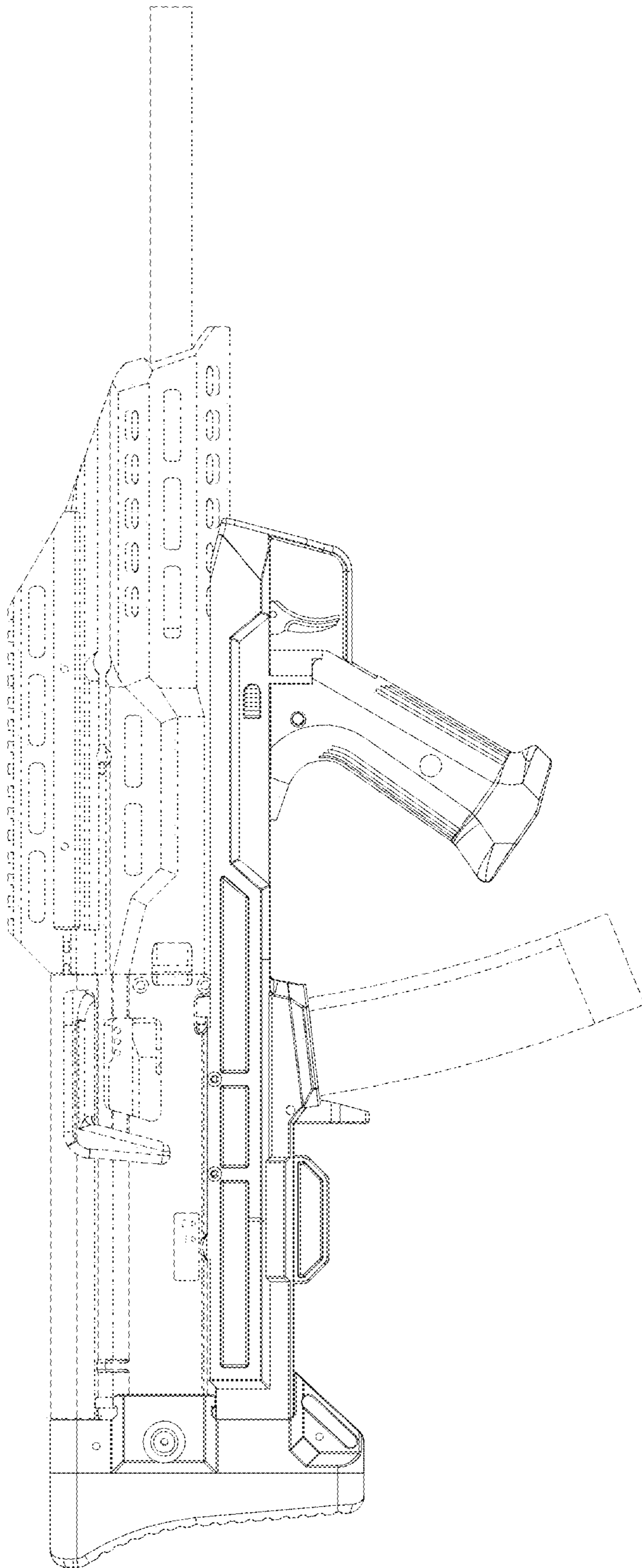


FIG 5

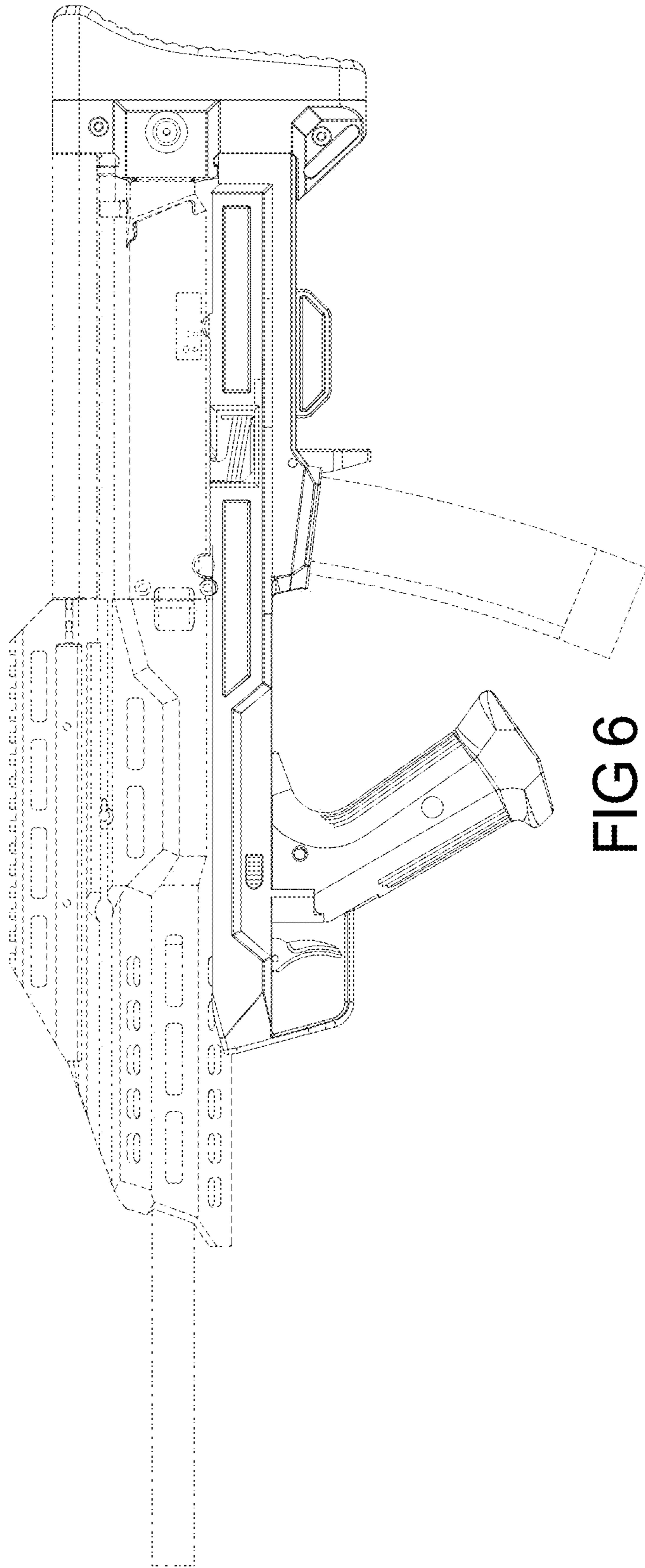


FIG 6



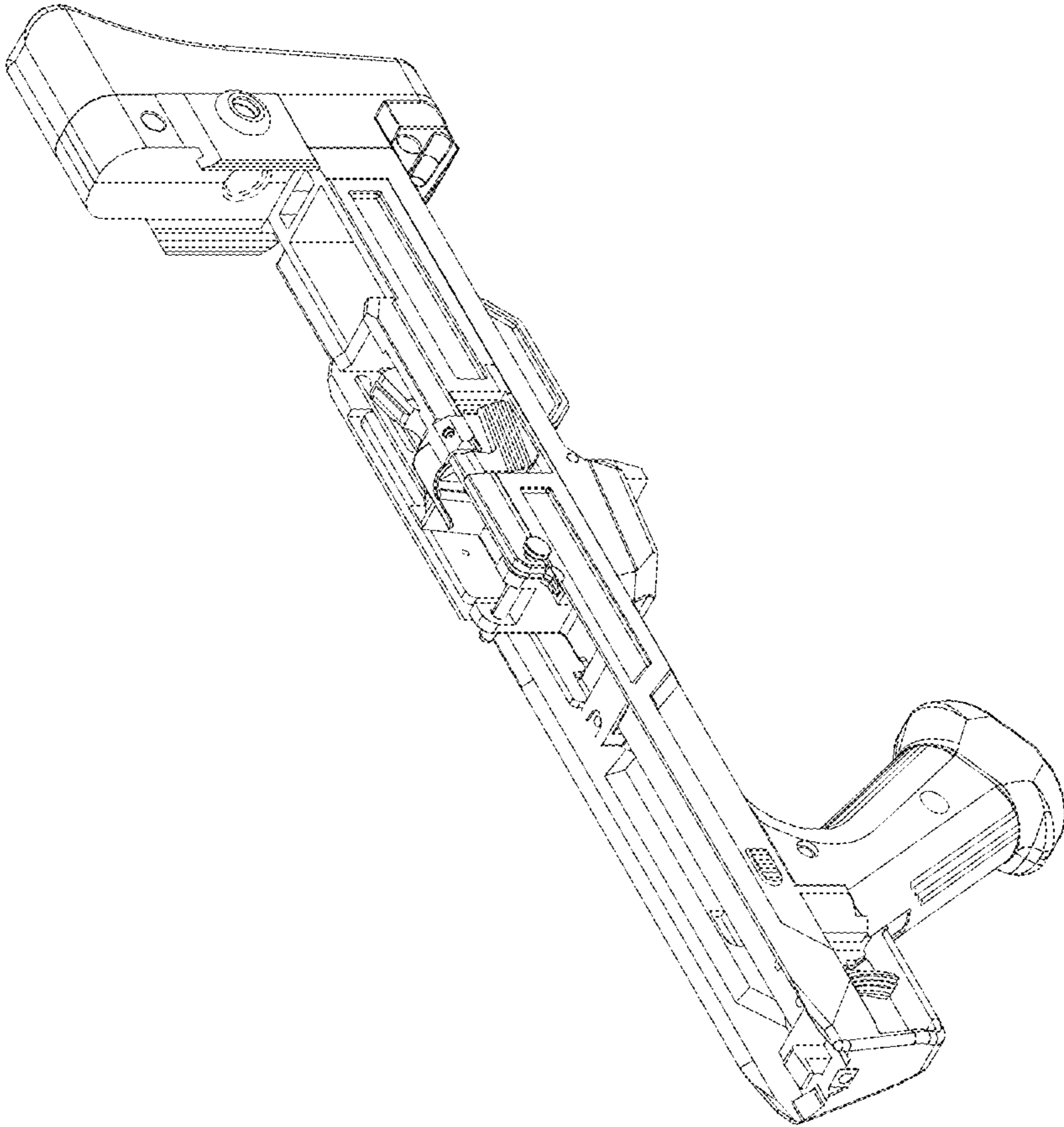


FIG 7

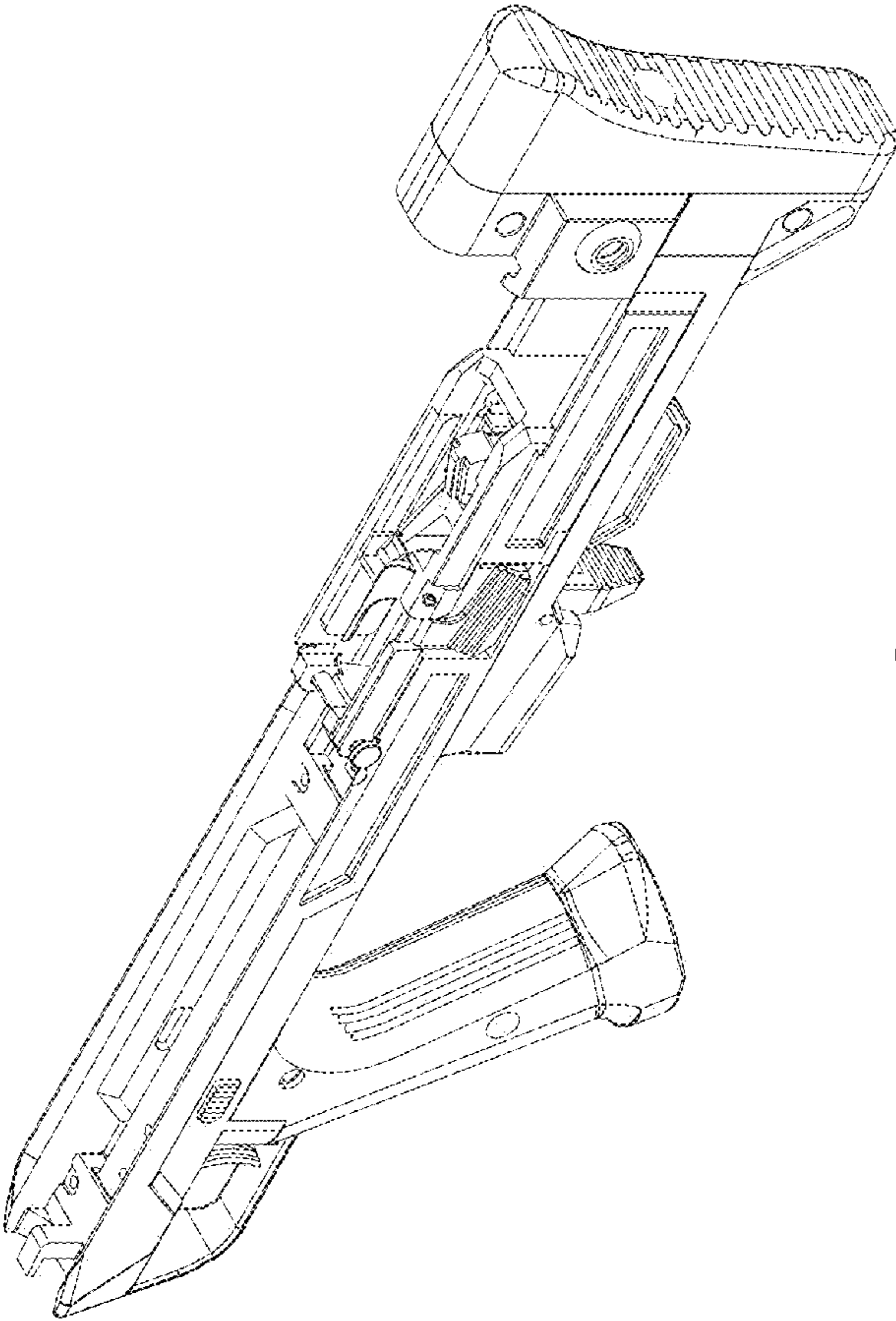


FIG 8

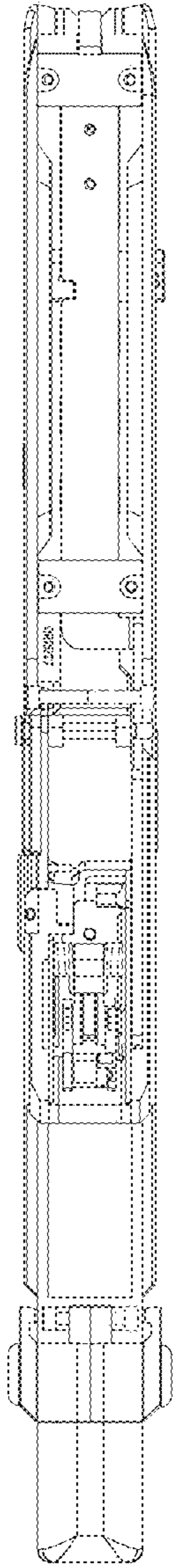


FIG 9

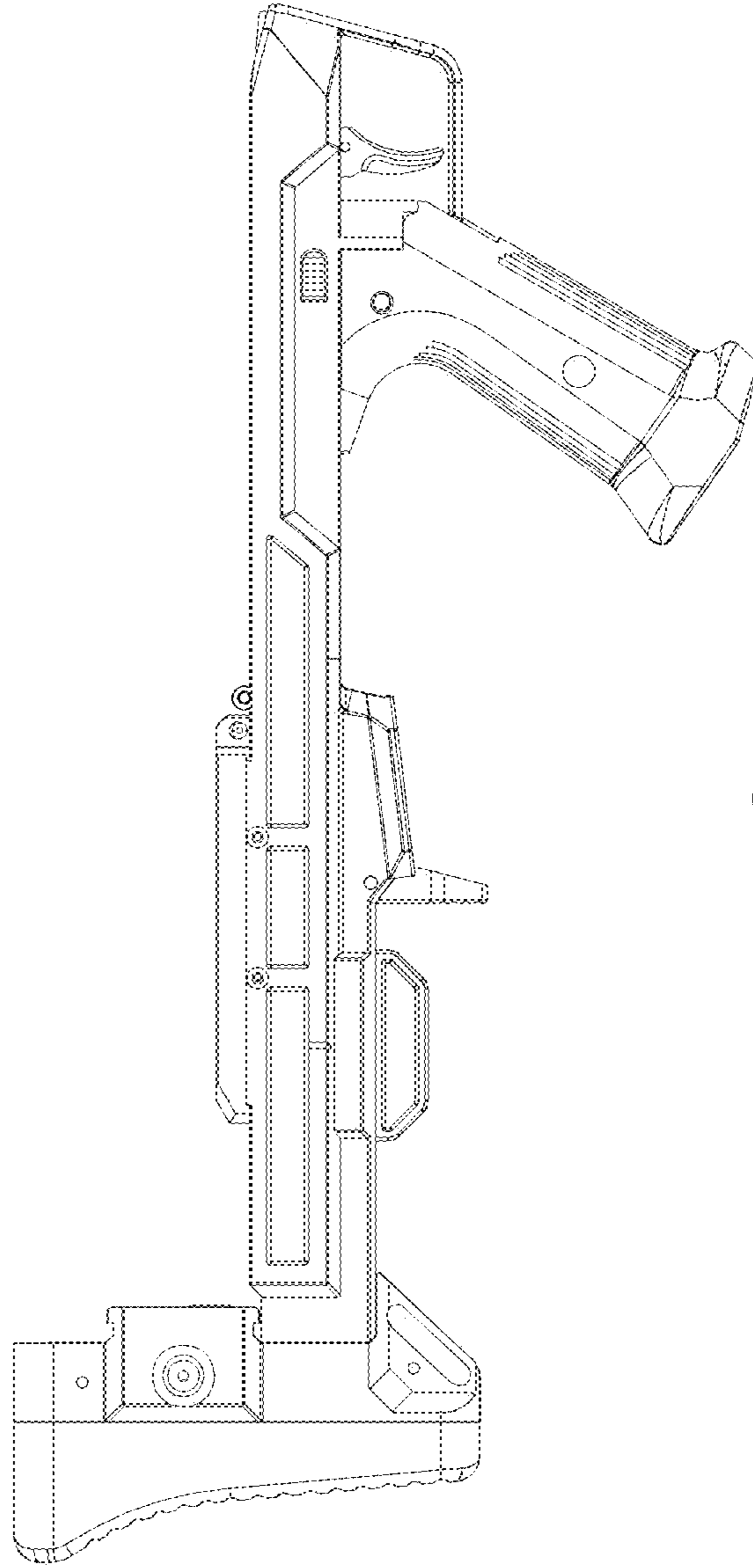


FIG 10

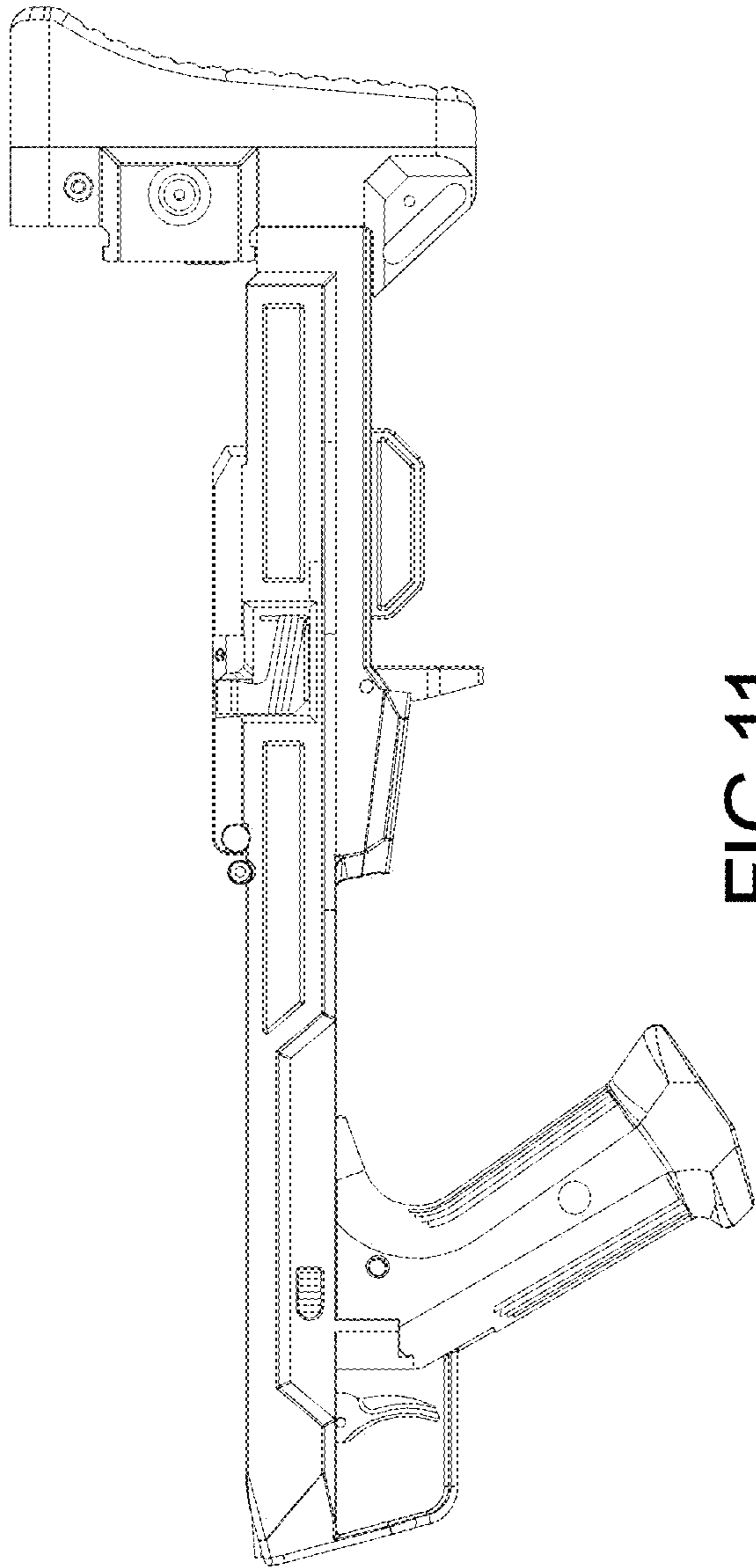


FIG 11

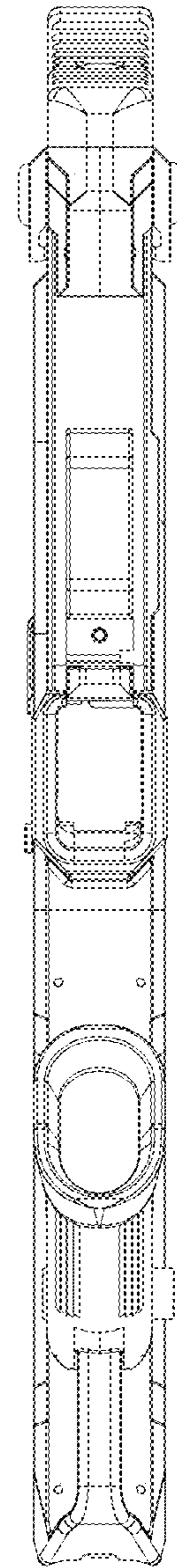


FIG 12

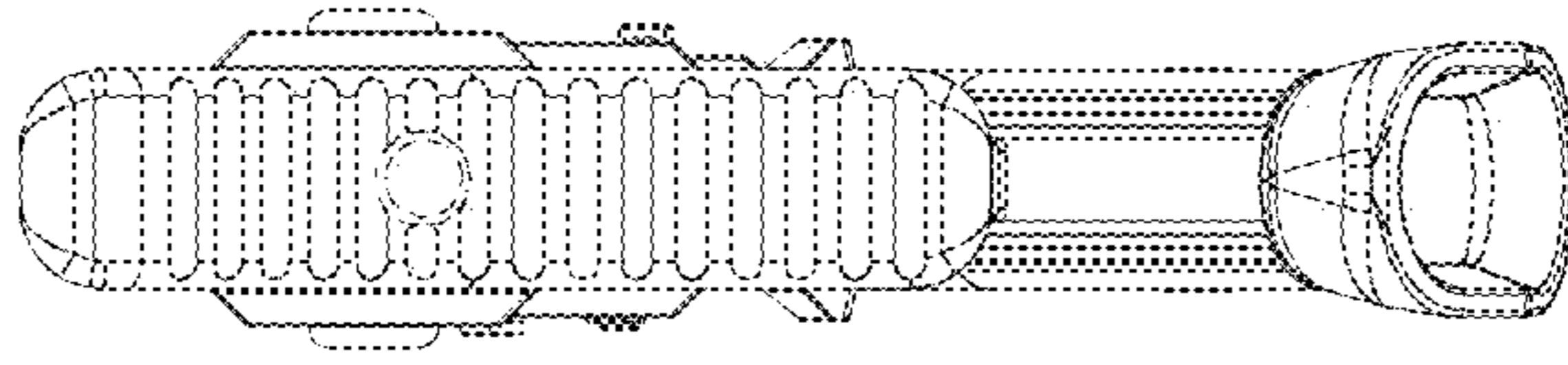


FIG 14

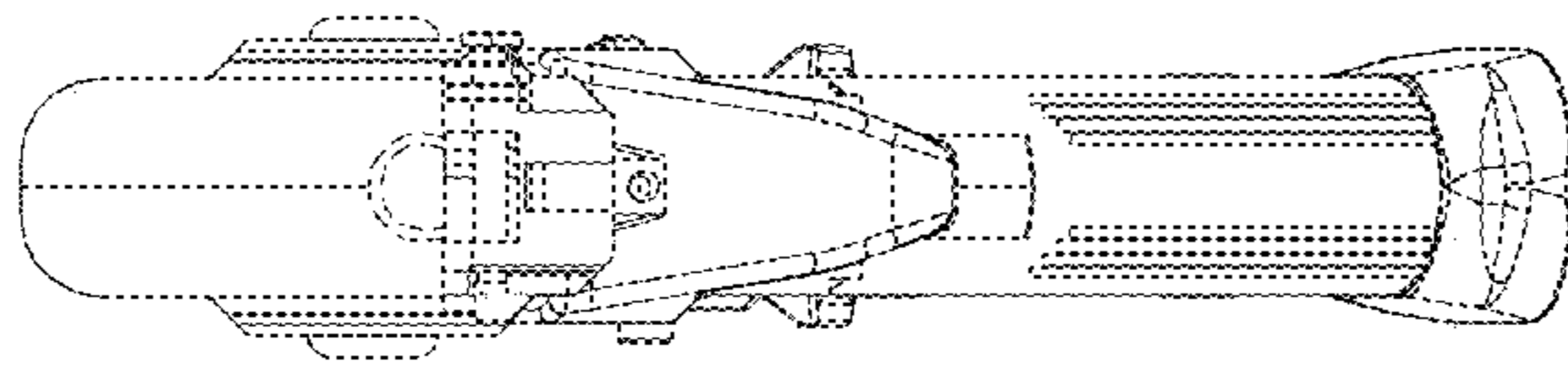


FIG 13