

US00D897476S

(12) **United States Design Patent**
Watson

(10) **Patent No.:** **US D897,476 S**

(45) **Date of Patent:** **** Sep. 29, 2020**

(54) **WATER THROWING DEVICE**

(71) Applicant: **Billy Watson**, Clearwater, FL (US)

(72) Inventor: **Billy Watson**, Clearwater, FL (US)

(**) Term: **15 Years**

(21) Appl. No.: **29/657,544**

(22) Filed: **Jul. 24, 2018**

(51) **LOC (12) Cl.** **22-01**

(52) **U.S. Cl.**
USPC **D22/106**

(58) **Field of Classification Search**
USPC D22/102, 106, 107, 115, 117, 199;
D21/311, 387, 567, 570, 571, 572, 746
CPC .. F42B 6/08; F42B 6/04; F42B 12/362; A61F
2002/30306; A61F 2230/0097
See application file for complete search history.

(56) **References Cited**

U.S. PATENT DOCUMENTS

- 1,765,721 A * 6/1930 Grossman A63H 33/20
446/49
- 2,509,182 A * 5/1950 Annable A63H 33/20
446/49
- 2,587,699 A * 3/1952 Cotter A63H 27/004
446/54
- 3,420,478 A * 1/1969 Ferguson B64D 17/00
244/142
- 3,432,962 A * 3/1969 Boese A63H 33/20
446/49
- D219,313 S * 11/1970 Easter et al. D12/321
- D267,102 S * 11/1982 Steinberg D21/448
- D271,123 S * 10/1983 Jutras D21/834

- D358,362 S * 5/1995 Haggard D12/321
- D377,955 S * 2/1997 Davis D21/398
- D405,494 S * 2/1999 Vincent D21/835
- D781,061 S * 3/2017 Merritt D6/347
- D855,714 S * 8/2019 O'Brien D21/634
- 2007/0099535 A1* 5/2007 Riebersal A63H 33/18
446/46

* cited by examiner

Primary Examiner — Khawaja Anwar

Assistant Examiner — Mojtaba Tehrani

(74) *Attorney, Agent, or Firm* — Larson & Larson, P.A.;
Justin P. Miller; Frank Liebenow

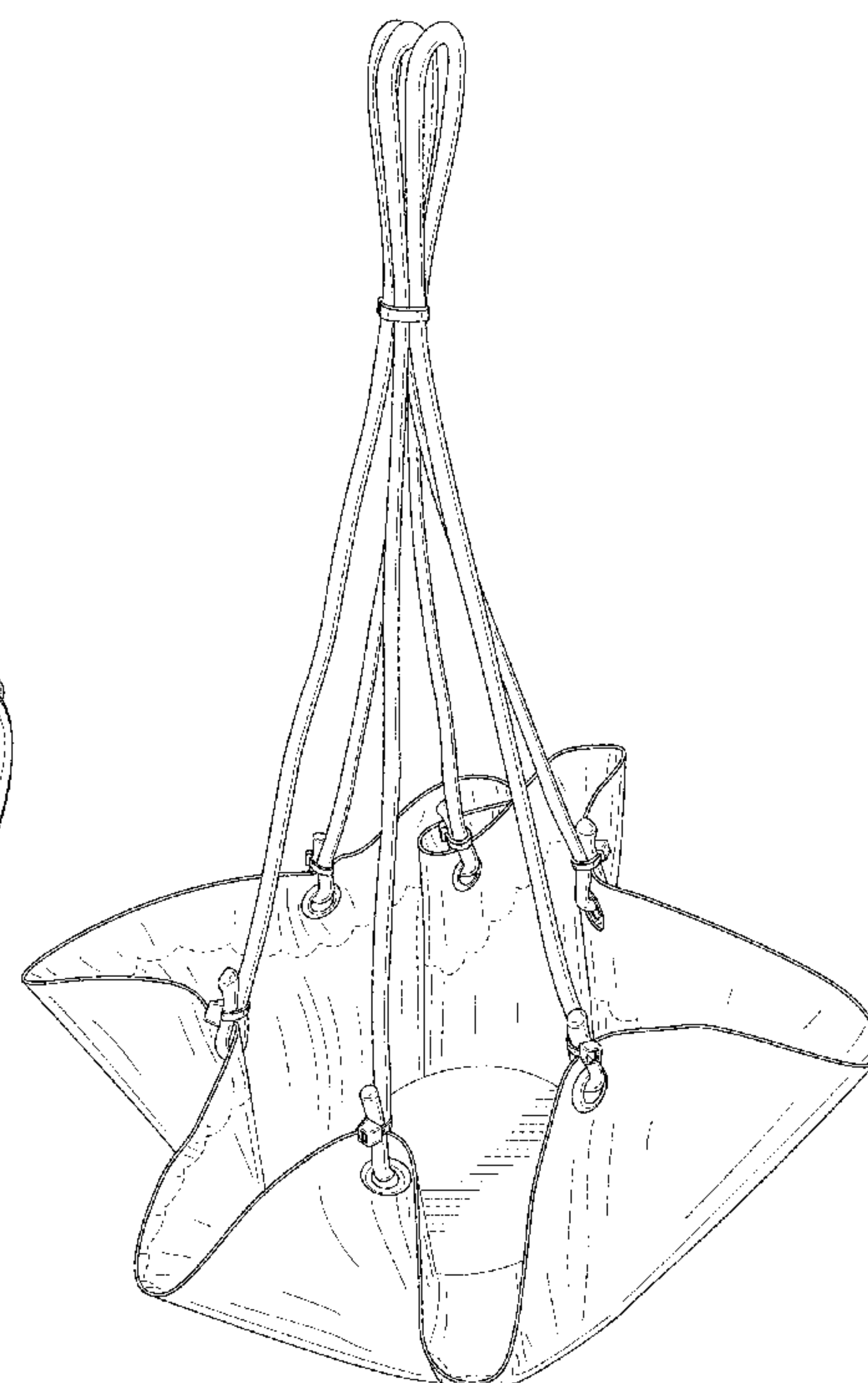
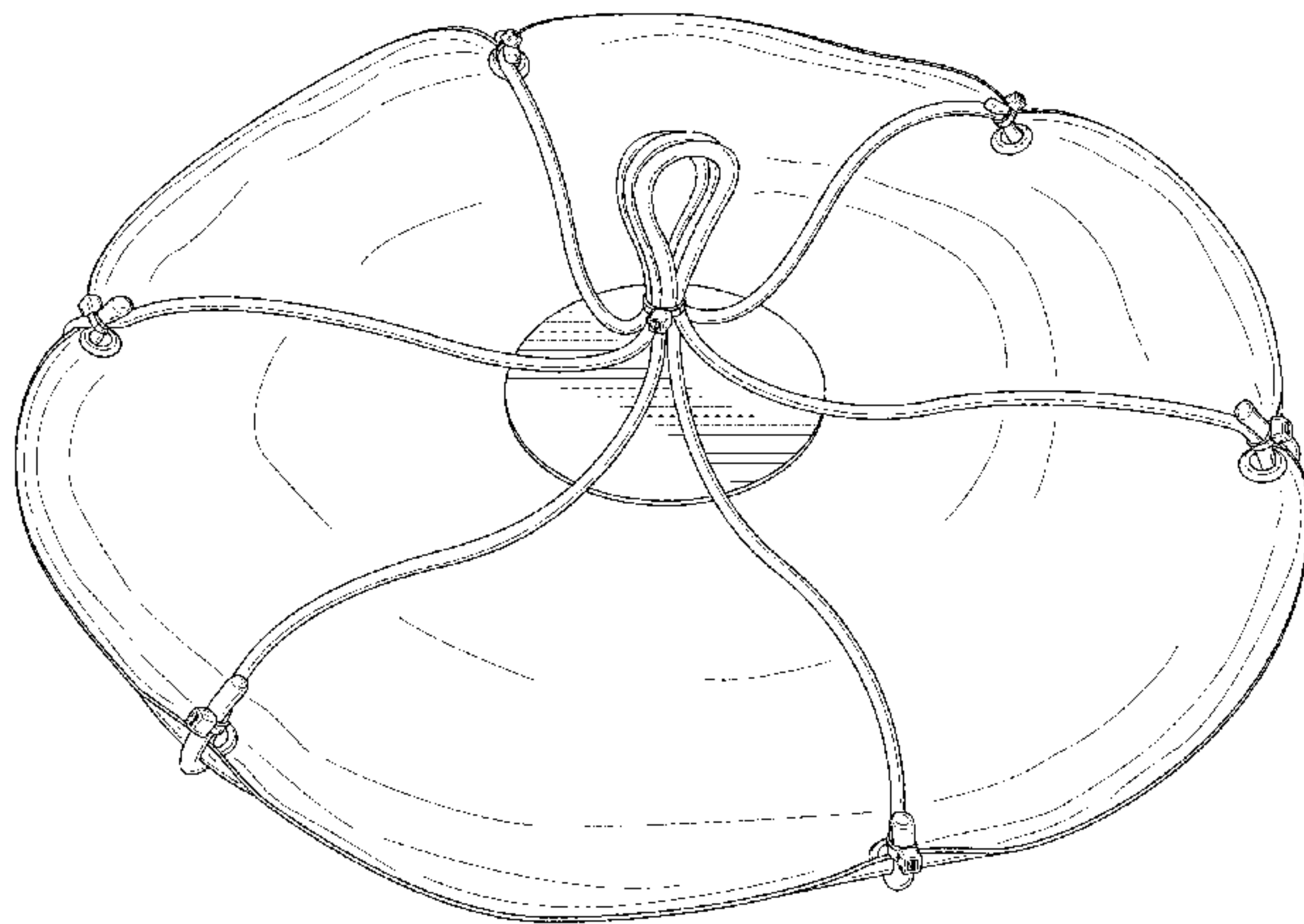
(57) **CLAIM**

I claim the ornamental design for a water throwing device,
as shown and described.

DESCRIPTION

FIG. 1 is a perspective view of a water throwing device showing my new design;
 FIG. 2 is a top plan view thereof;
 FIG. 3 is a bottom plan view thereof;
 FIG. 4 is a right-side elevation view thereof;
 FIG. 5 is a left-side elevation view thereof;
 FIG. 6 is a front elevation view thereof;
 FIG. 7 is a back elevation view thereof; and,
 FIG. 8 is a perspective view thereof, showing the water throwing device filled with water.
 The broken lines depicting water in FIG. 8 are for the purpose of illustrating the environmental structure and form no part of the claimed design.

1 Claim, 6 Drawing Sheets



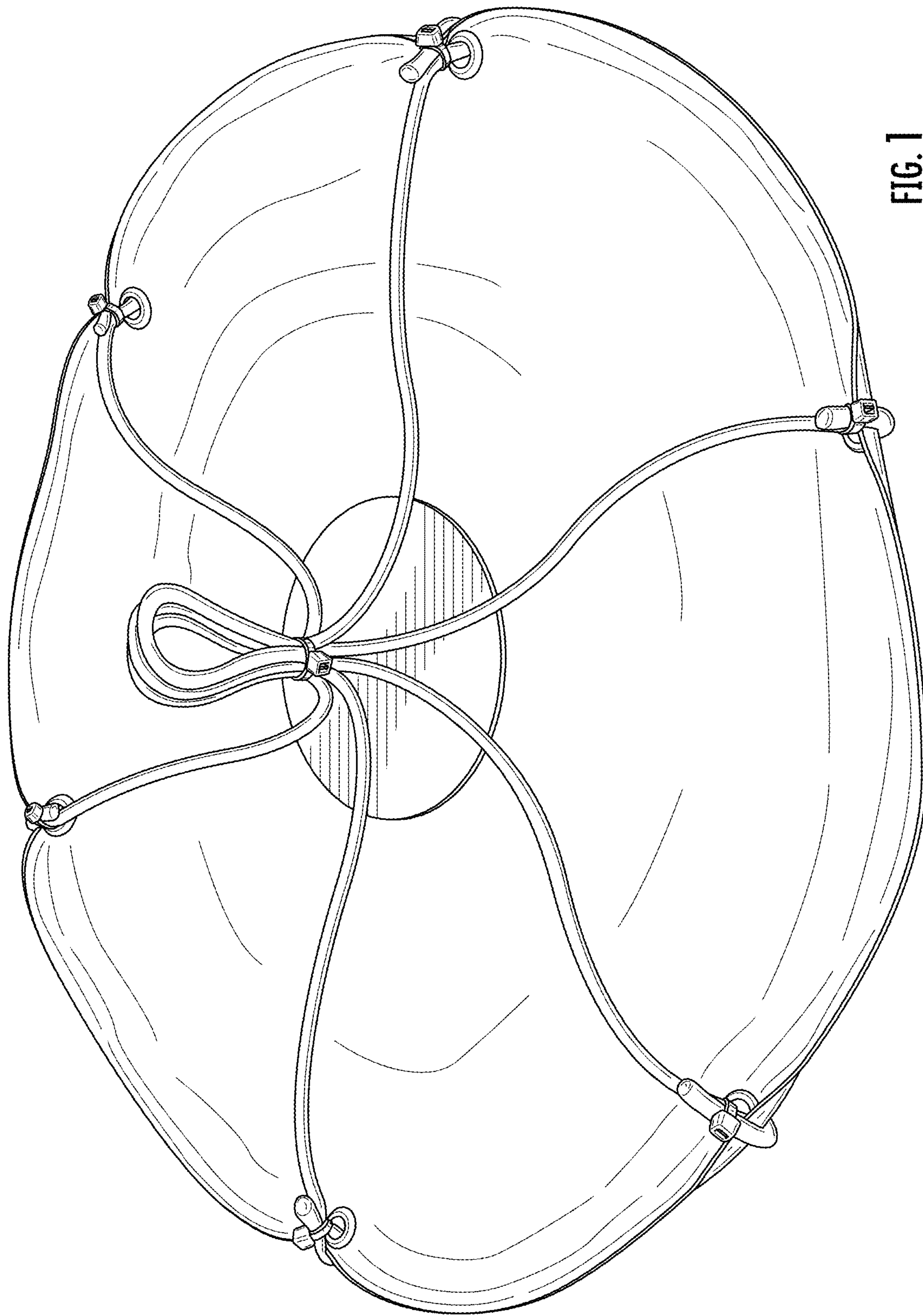


FIG. 1

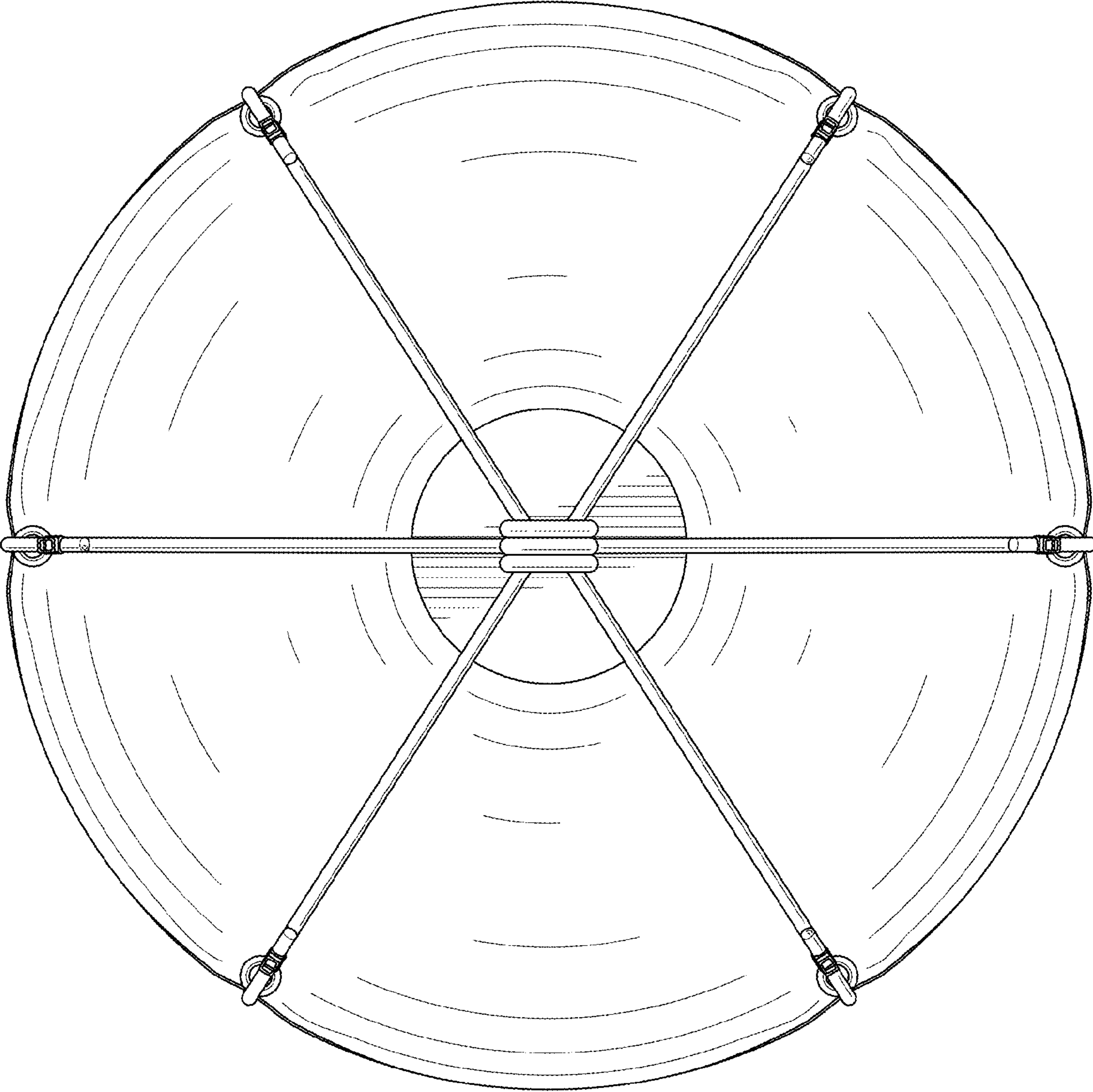


FIG. 2

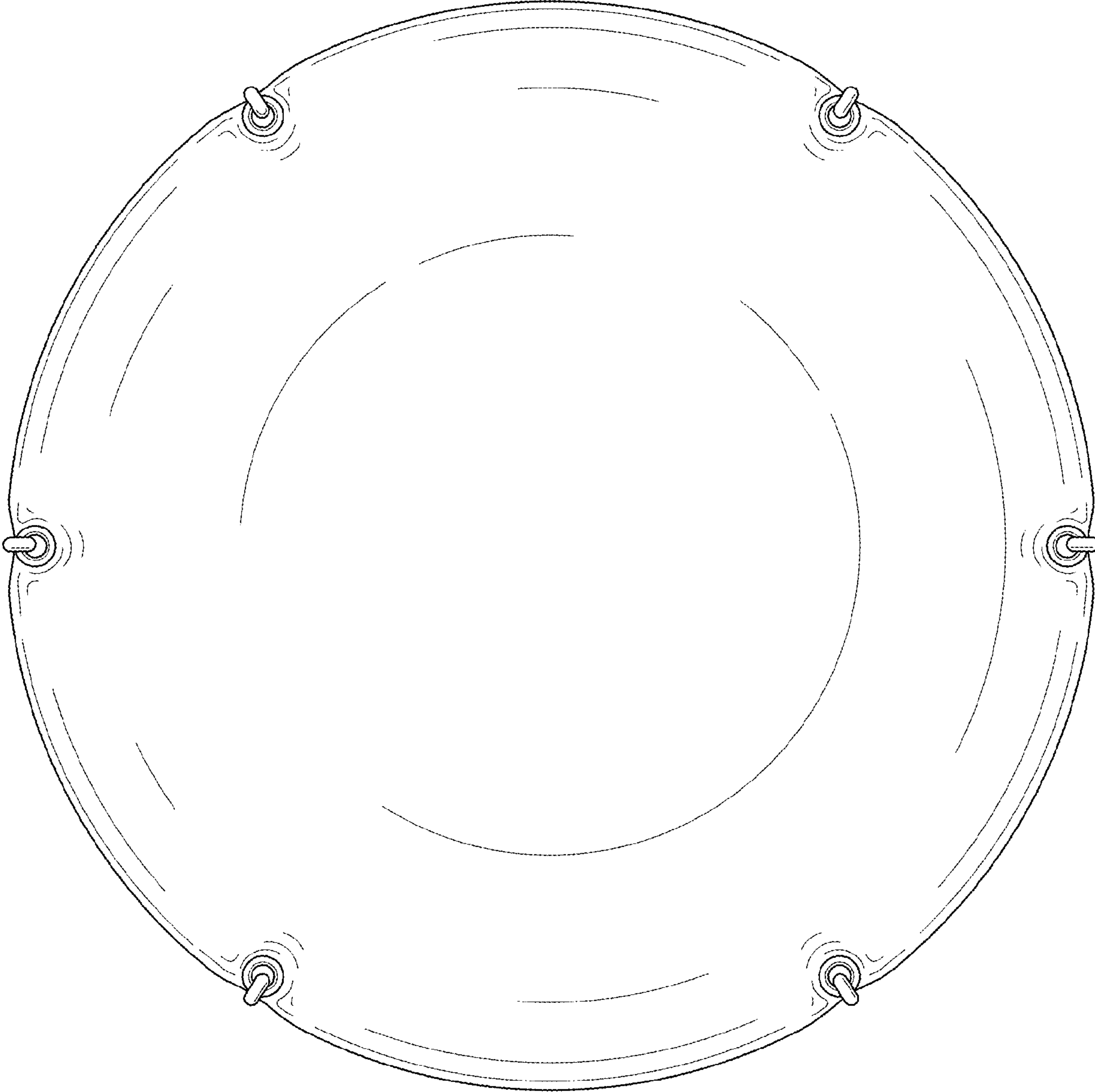


FIG. 3

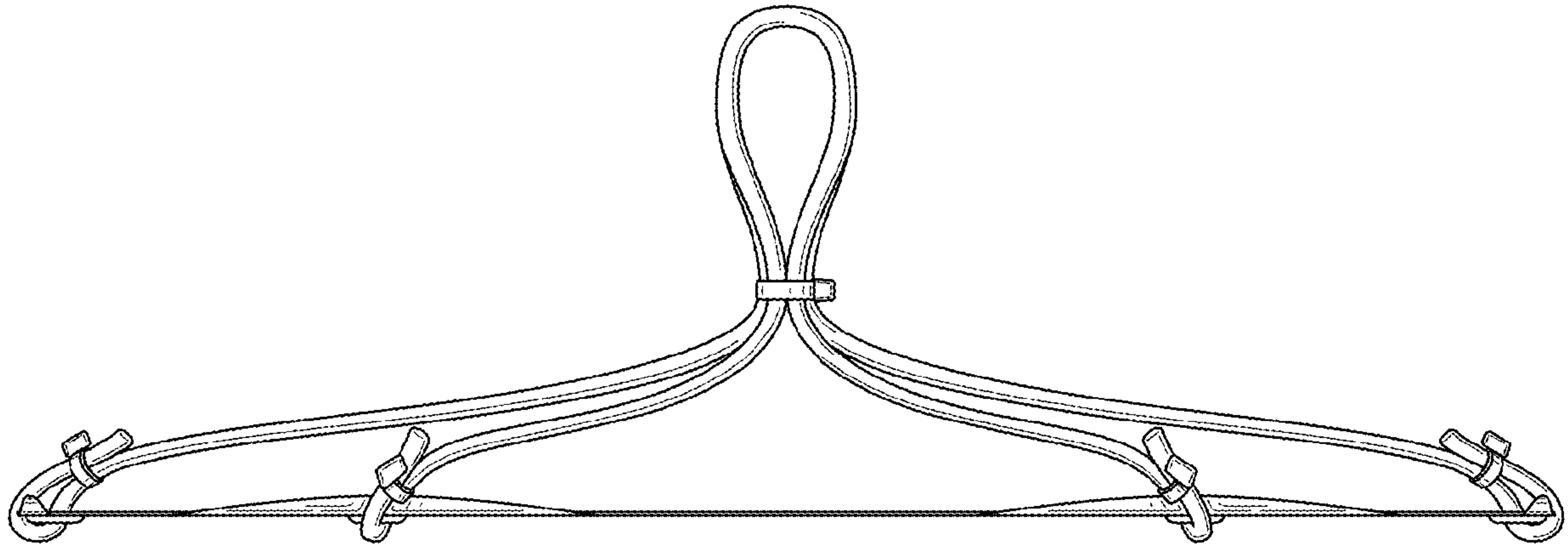


FIG. 4

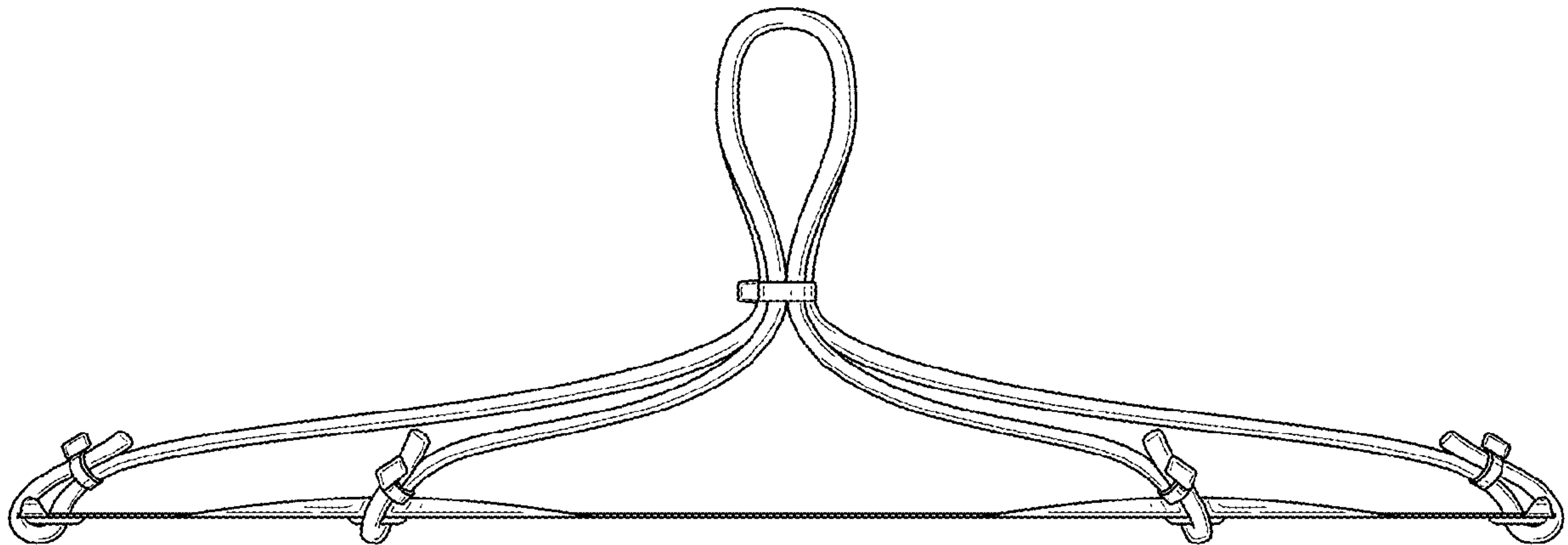


FIG. 5

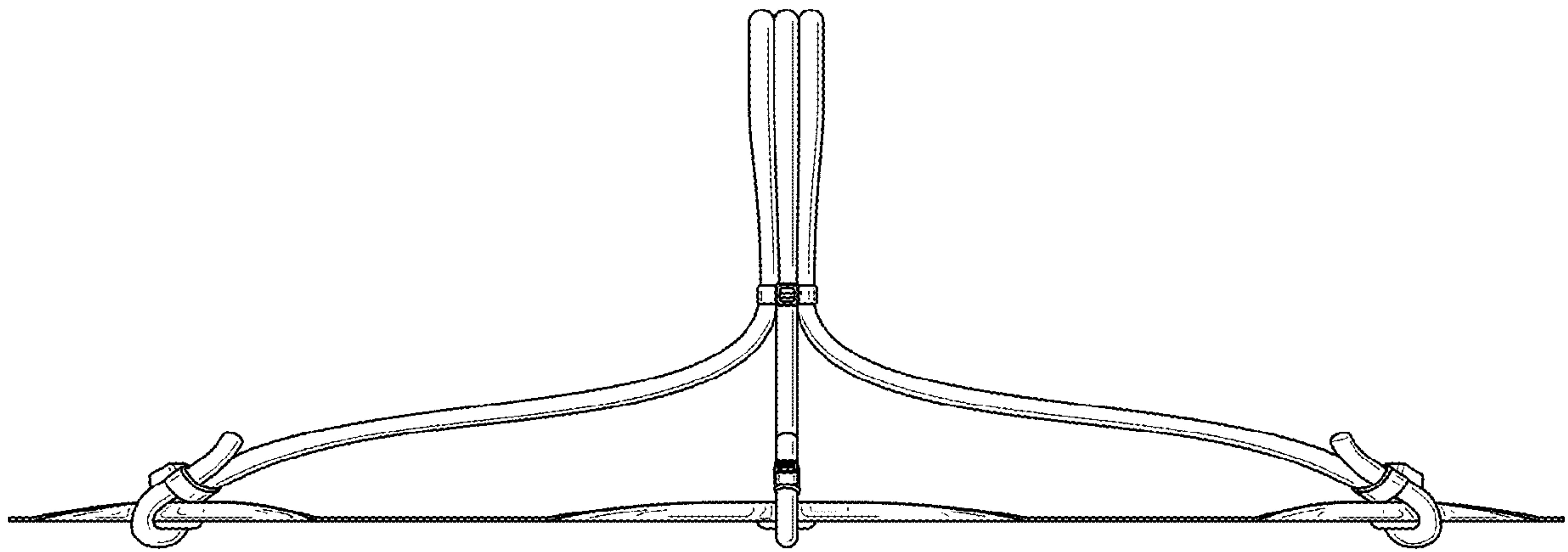


FIG. 6

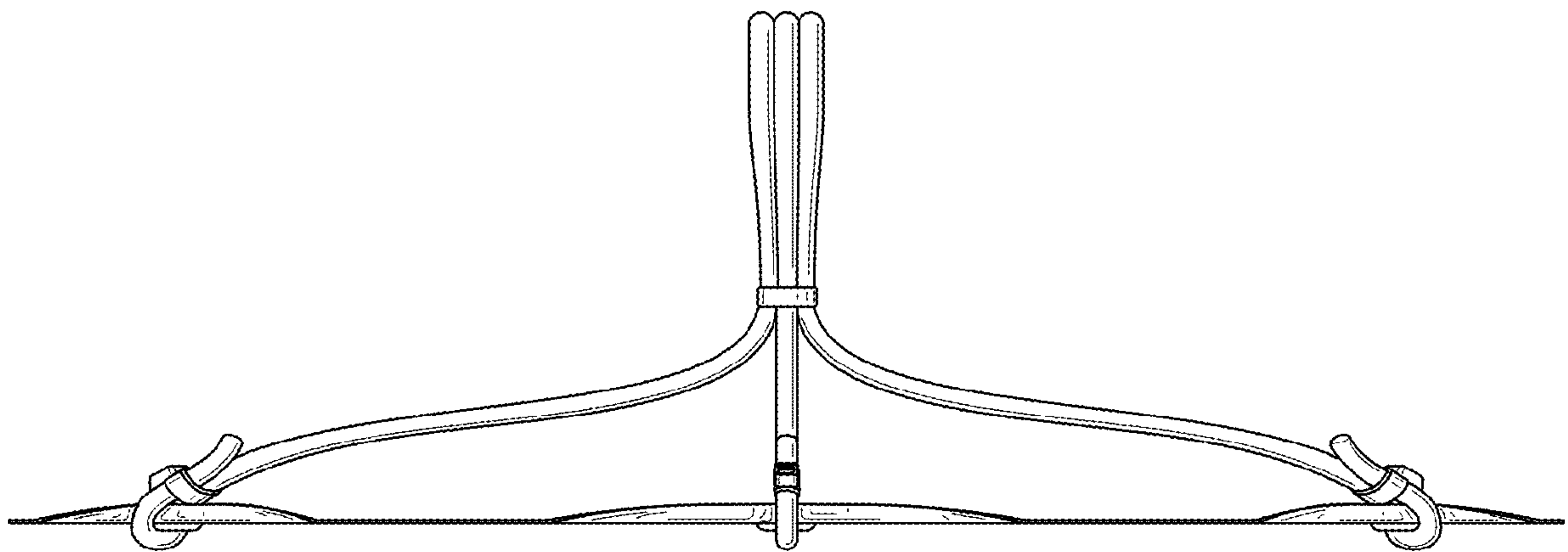


FIG. 7

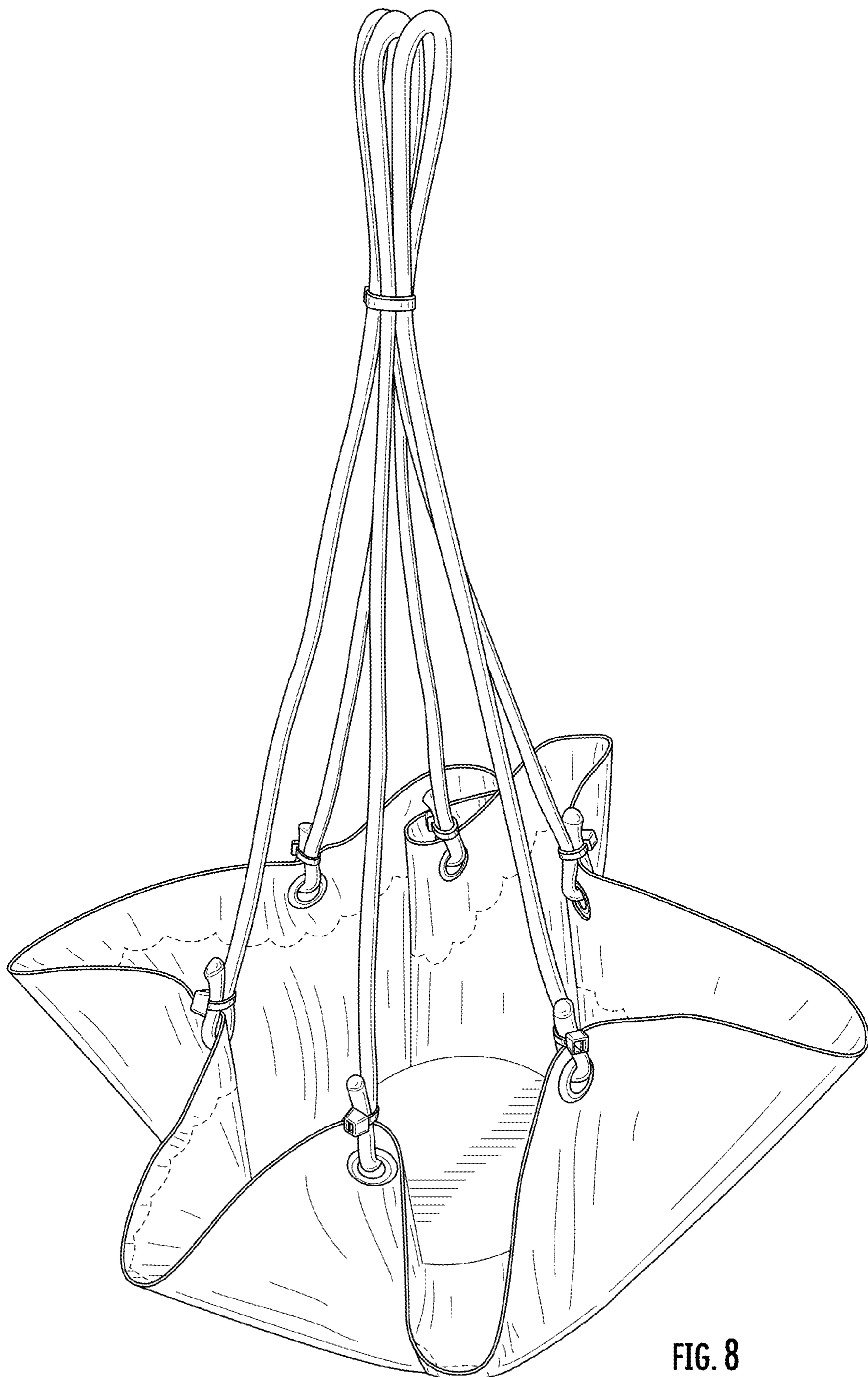


FIG. 8