



US00D897475S

(12) **United States Design Patent** (10) **Patent No.:** **US D897,475 S**
Xiao (45) **Date of Patent:** **** Sep. 29, 2020**

(54) **DOLLHOUSE**
(71) Applicant: **Yongkai Xiao**, Zhongshan (CN)
(72) Inventor: **Yongkai Xiao**, Zhongshan (CN)
(**) Term: **15 Years**
(21) Appl. No.: **29/687,785**
(22) Filed: **Apr. 16, 2019**
(51) **LOC (12) Cl.** **21-04**
(52) **U.S. Cl.**
USPC **D21/834**
(58) **Field of Classification Search**
USPC D21/506, 511, 834, 836, 837, 838, 839
CPC E04H 15/00; E04H 15/001; E04H 15/02;
E04H 15/18; E04H 15/28; E04H 15/32;
E04H 15/34; E04H 15/40; E04H 15/42;
E04H 15/425; E04H 15/50
See application file for complete search history.

D429,307 S * 8/2000 Wu D21/834
D505,176 S * 5/2005 Wehner D21/834
D594,070 S * 6/2009 Ridens D21/511
D610,217 S * 2/2010 Krueger D21/836
9,140,030 B2 * 9/2015 Jin E04H 15/46
D806,264 S * 12/2017 Music D25/17
D822,139 S * 7/2018 Cha D21/834
D839,984 S * 2/2019 Liu D21/838

* cited by examiner

Primary Examiner — Cynthia M. Chin
(74) *Attorney, Agent, or Firm* — Law Offices of Steven W. Weinrieb

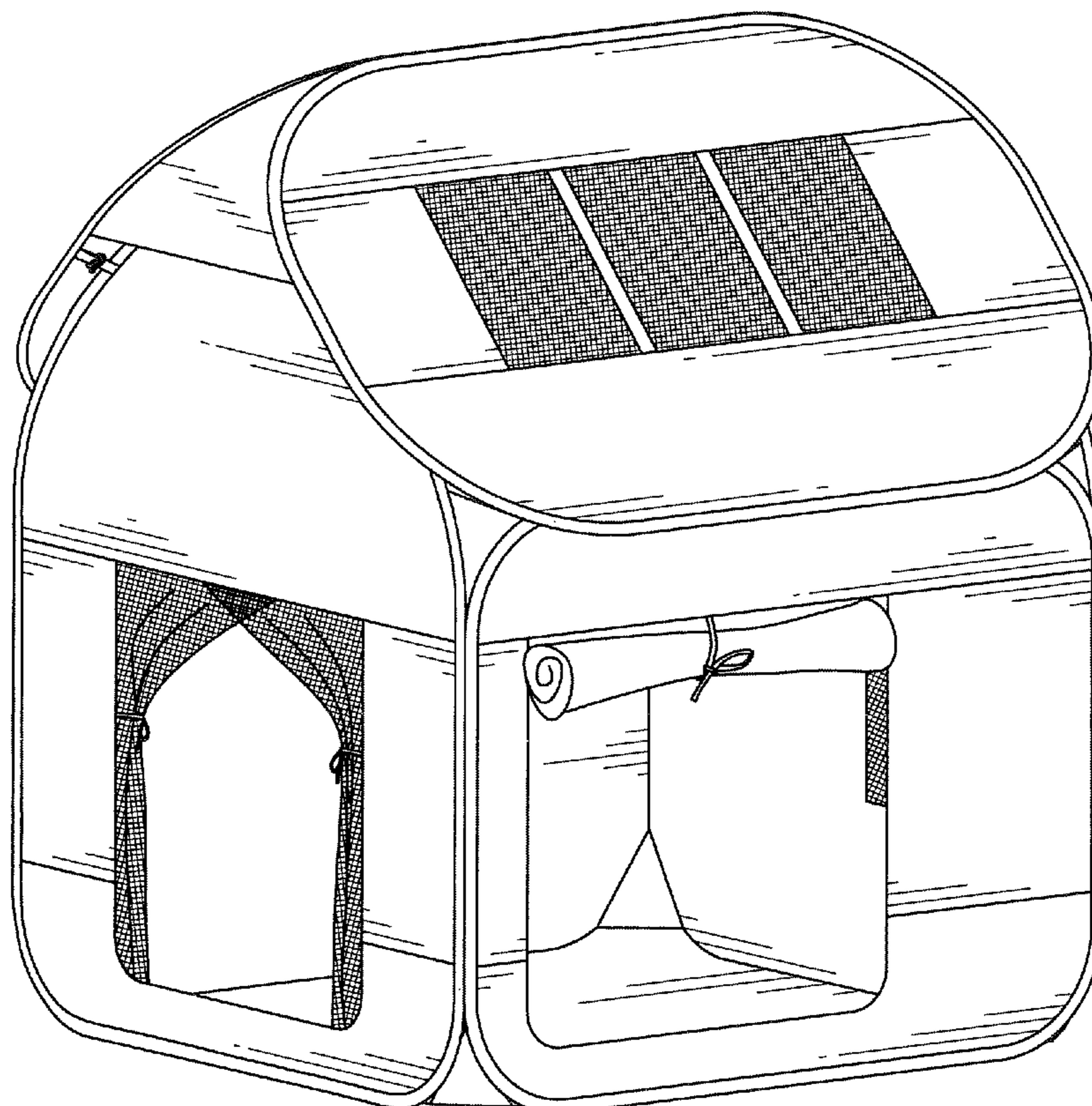
(57) **CLAIM**
The ornamental design for a dollhouse, as shown and described.

DESCRIPTION

FIG. 1 is a front, left side, top perspective view of the dollhouse showing my new design;
FIG. 2 is a front elevational view thereof;
FIG. 3 is a rear elevational view thereof;
FIG. 4 is a left side elevational view thereof;
FIG. 5 is a right side elevational view thereof;
FIG. 6 is a top plan view thereof;
FIG. 7 is a bottom plan view thereof; and,
FIG. 8 is a front, left side, top perspective view thereof showing the dollhouse in a state of use.
The broken lines are for the purpose of illustrating portions of the article that form no part of the claim.

(56) **References Cited**
U.S. PATENT DOCUMENTS
D86,984 S * 5/1932 Smith D21/836
D181,448 S * 11/1957 Wallace et al. D21/836
D222,204 S * 10/1971 Perry D21/834
4,811,751 A * 3/1989 Maloney, II E04H 15/40
135/125
D326,689 S * 6/1992 Farinelli, Jr. D21/511
D421,285 S * 2/2000 Murphy D21/834

1 Claim, 8 Drawing Sheets



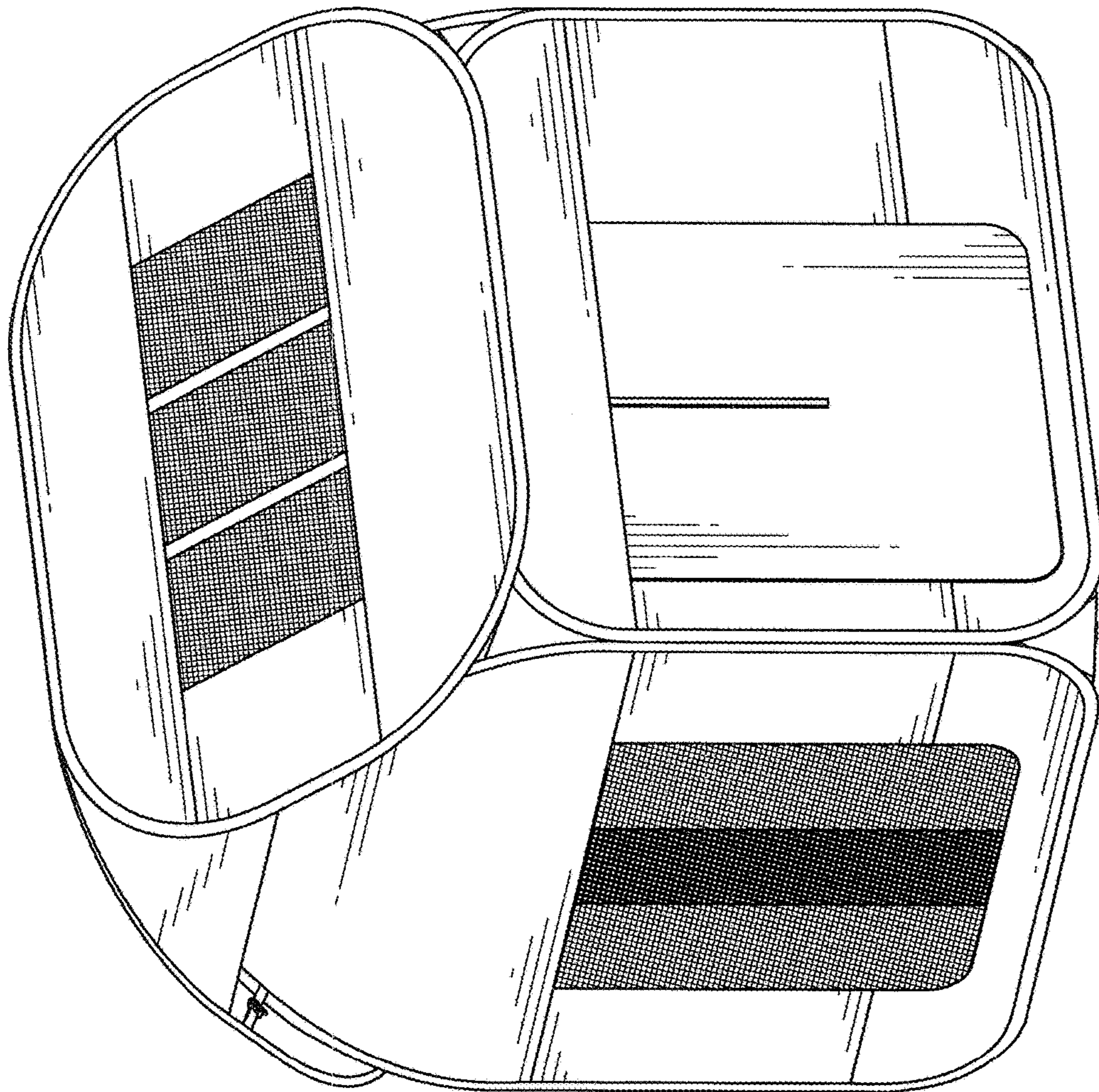


FIG.1

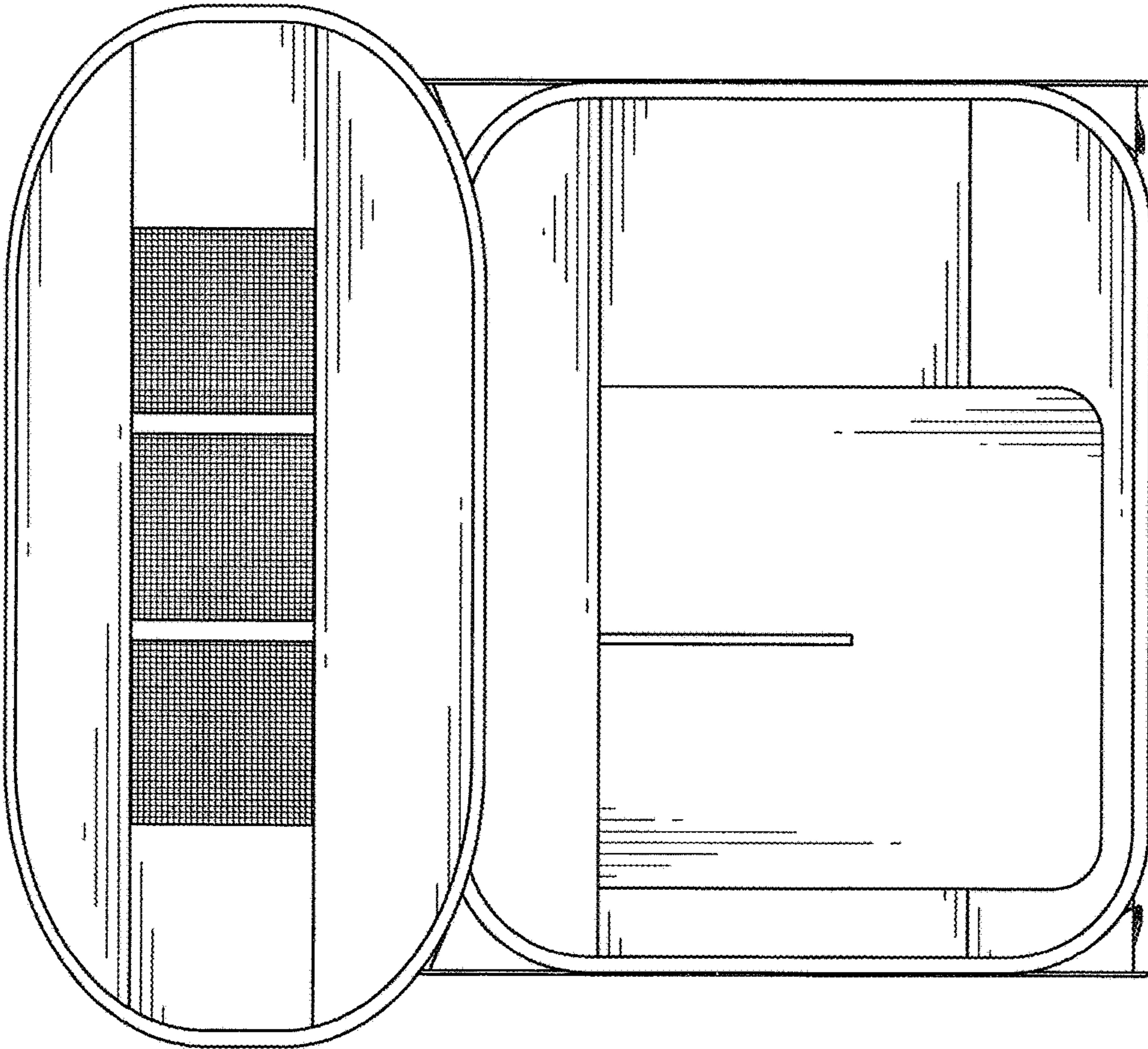


FIG. 2

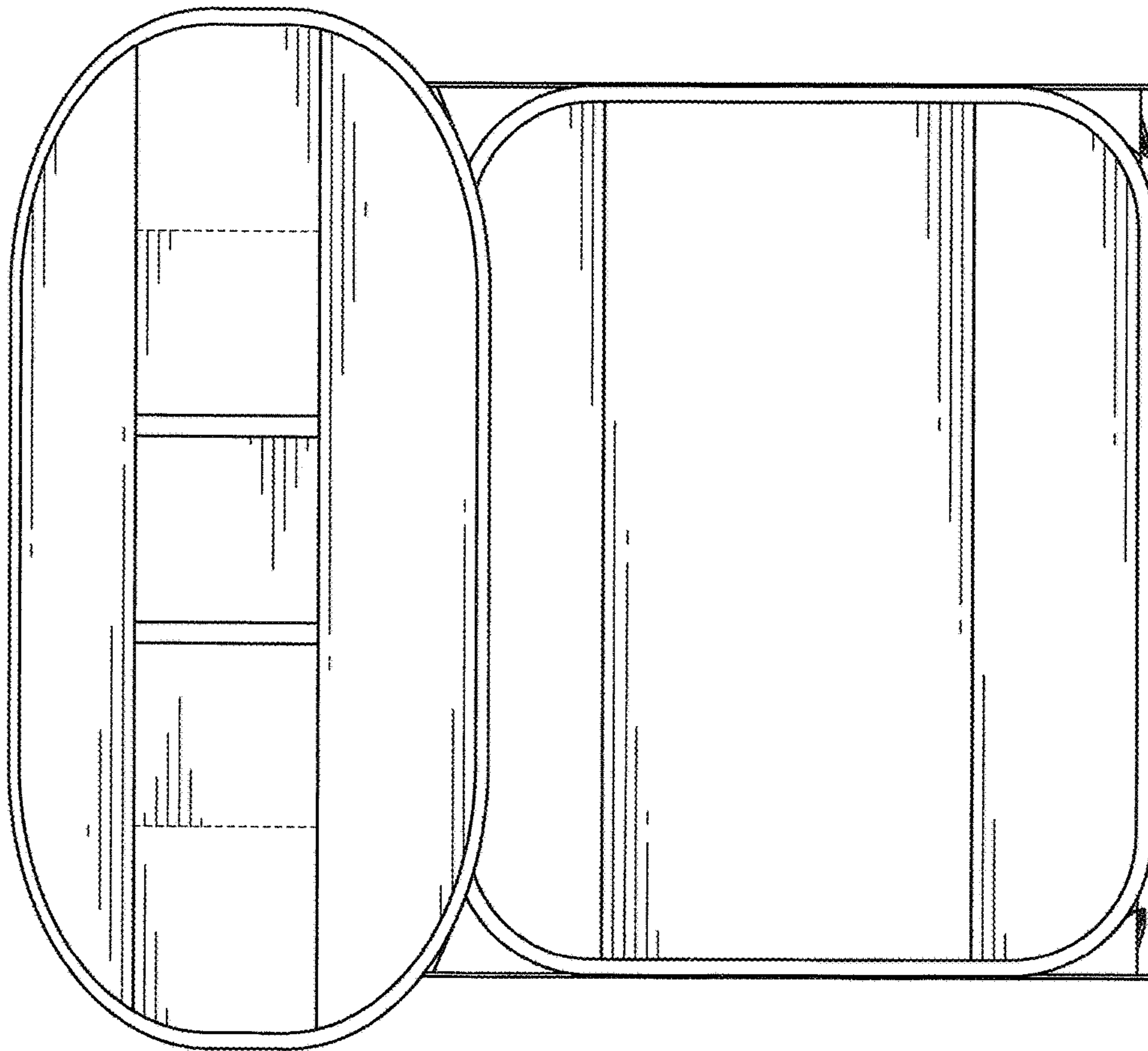


FIG. 3

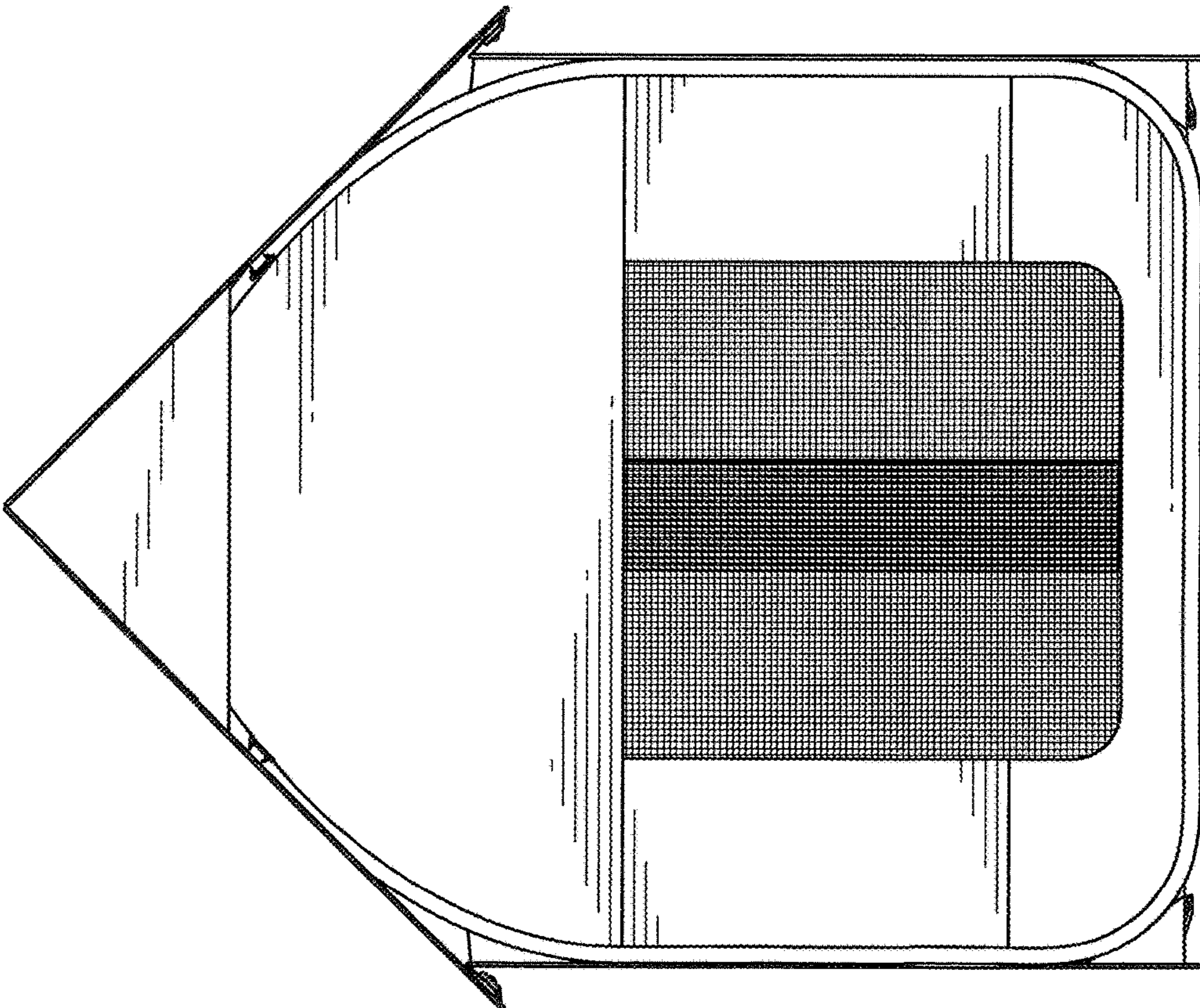


FIG.4

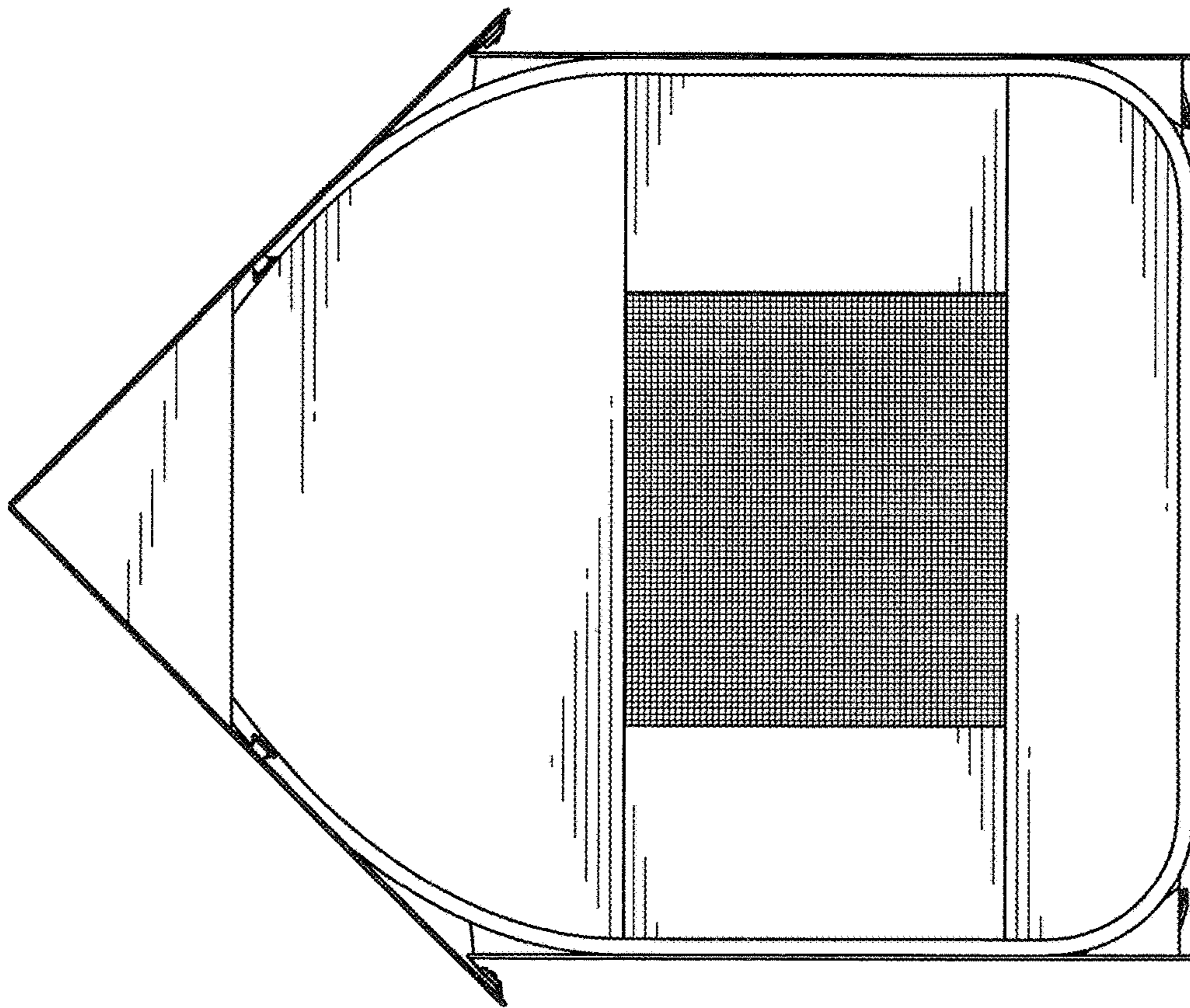


FIG. 5

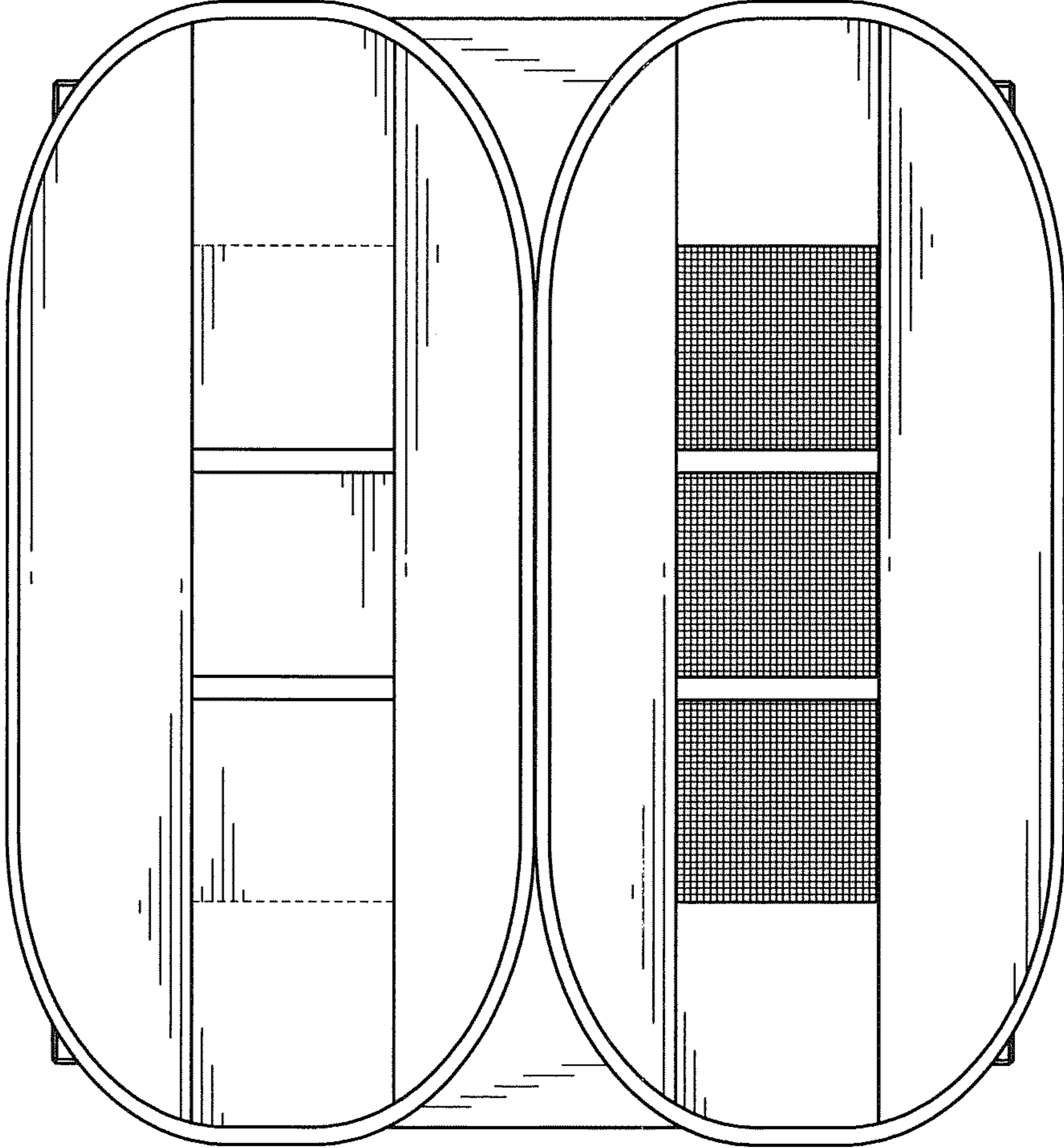


FIG.6

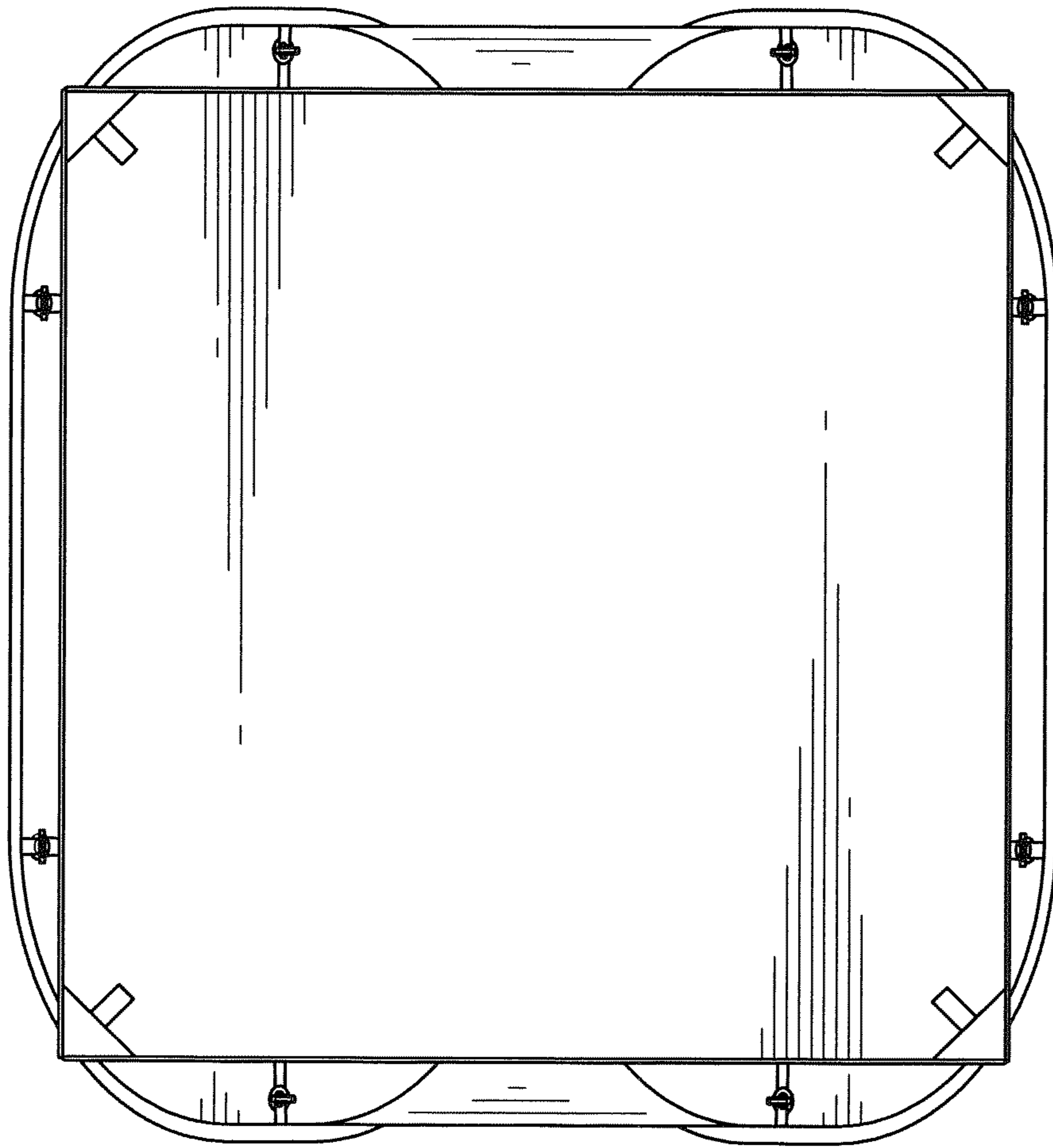


FIG. 7

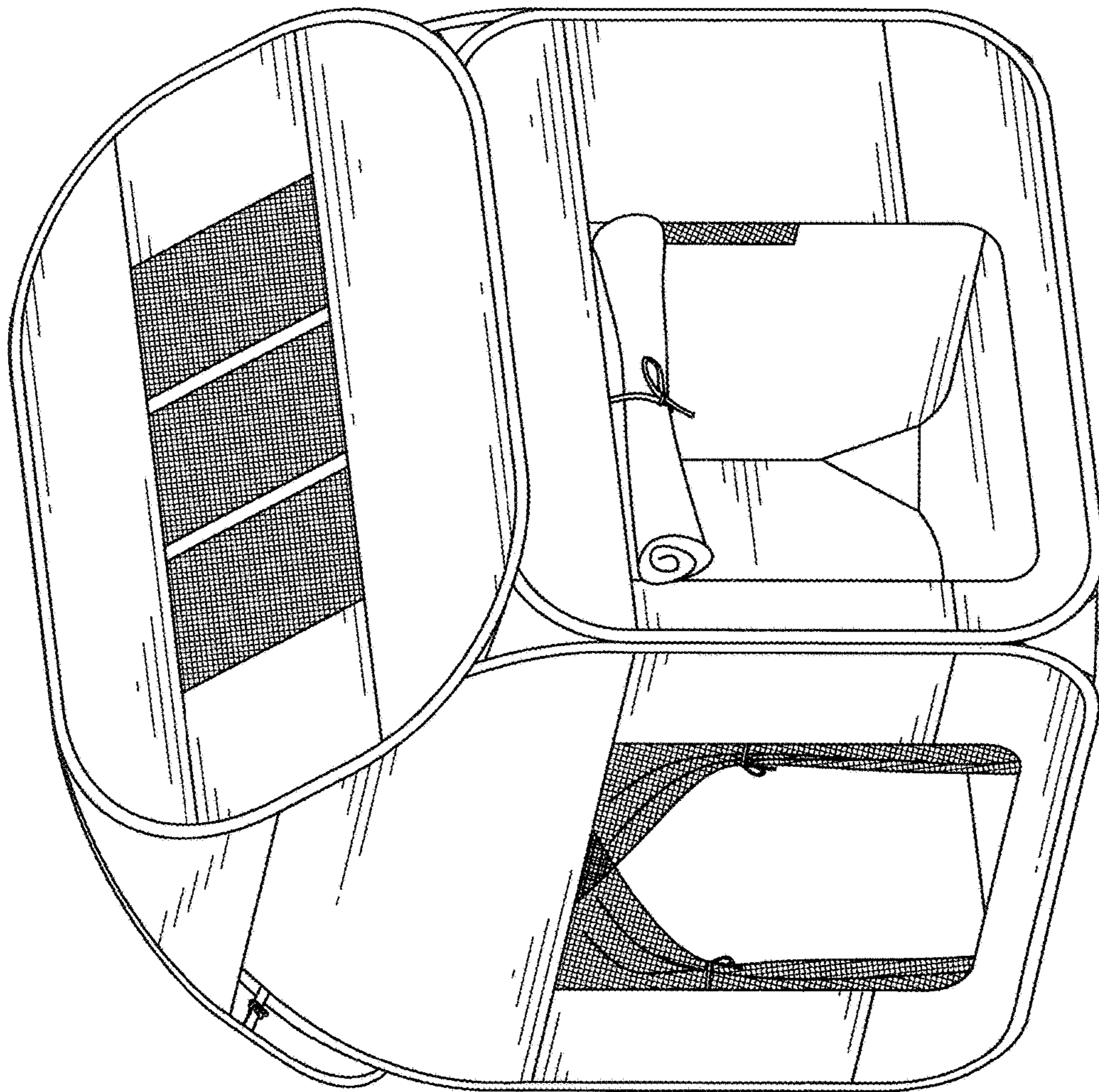


FIG. 8