



US00D897472S

(12) **United States Design Patent**
Montgomery, Jr.

(10) **Patent No.:** **US D897,472 S**

(45) **Date of Patent:** **** Sep. 29, 2020**

(54) **HEXAGONAL FLOAT**

(71) Applicant: **James W. Montgomery, Jr.**, Scottsdale, AZ (US)

(72) Inventor: **James W. Montgomery, Jr.**, Scottsdale, AZ (US)

(**) Term: **15 Years**

(21) Appl. No.: **29/688,783**

(22) Filed: **Apr. 24, 2019**

(51) **LOC (12) Cl.** **21-01**

(52) **U.S. Cl.**
USPC **D21/803**

(58) **Field of Classification Search**
USPC D21/769-770, 801, 803, 809; D12/5, 6, D12/316; D6/392, 595, 596, 601, 604, D6/605
CPC B63B 35/00; B63B 35/001; B63B 35/58; B63B 35/73; B63B 35/78

See application file for complete search history.

(56) **References Cited**

U.S. PATENT DOCUMENTS

- 4,750,894 A * 6/1988 Nealey B63C 9/04 441/40
- 5,628,275 A * 5/1997 Casey A01K 1/0236 119/28.5
- 6,881,114 B2 * 4/2005 Zheng B63B 7/08 441/129

- D551,733 S * 9/2007 Peterson D21/803
- D643,495 S * 8/2011 Marciano D21/803
- 10,029,767 B2 * 7/2018 de Grasse A47C 15/006
- 2016/0022525 A1 * 1/2016 Galitzer A61H 15/00 128/845
- 2016/0156304 A1 * 6/2016 Smadja H02S 30/10 136/251

* cited by examiner

Primary Examiner — Zenia I Bennett

(74) *Attorney, Agent, or Firm* — Millen, White, Zelano & Branigan, PC; Ryan Pool

(57) **CLAIM**

The ornamental design for a hexagonal float, as shown and described.

DESCRIPTION

FIG. 1 is a perspective view of the hexagonal float showing my new design.

FIG. 2 is a bottom perspective thereof.

FIG. 3 is side view thereof.

FIG. 4 is another side view thereof.

FIG. 5 is another side view thereof.

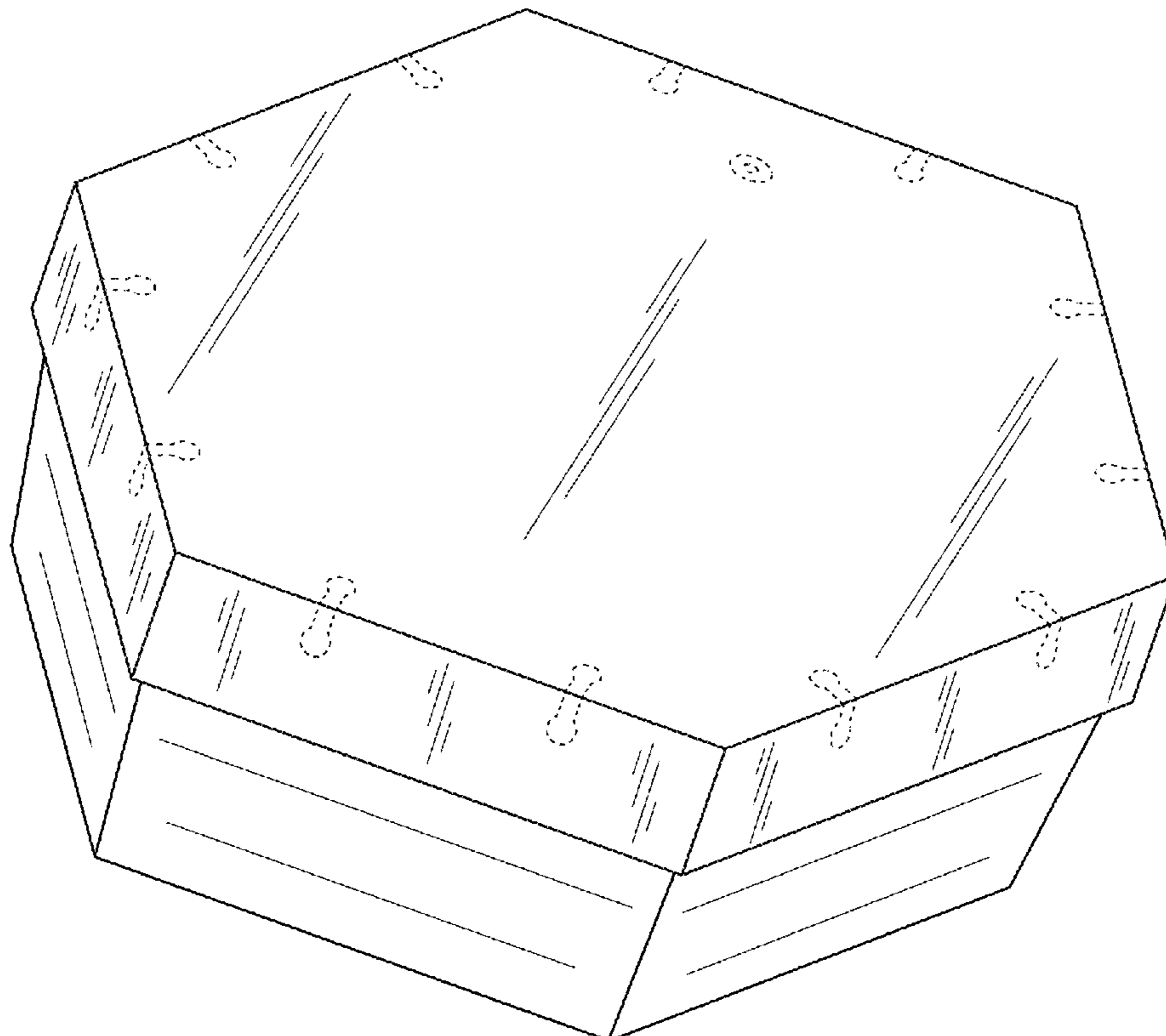
FIG. 6 is another side view thereof.

FIG. 7 is top view thereof; and,

FIG. 8 is a bottom view thereof.

The broken lines showing other parts of the hexagonal float form no part of the claimed design.

1 Claim, 8 Drawing Sheets



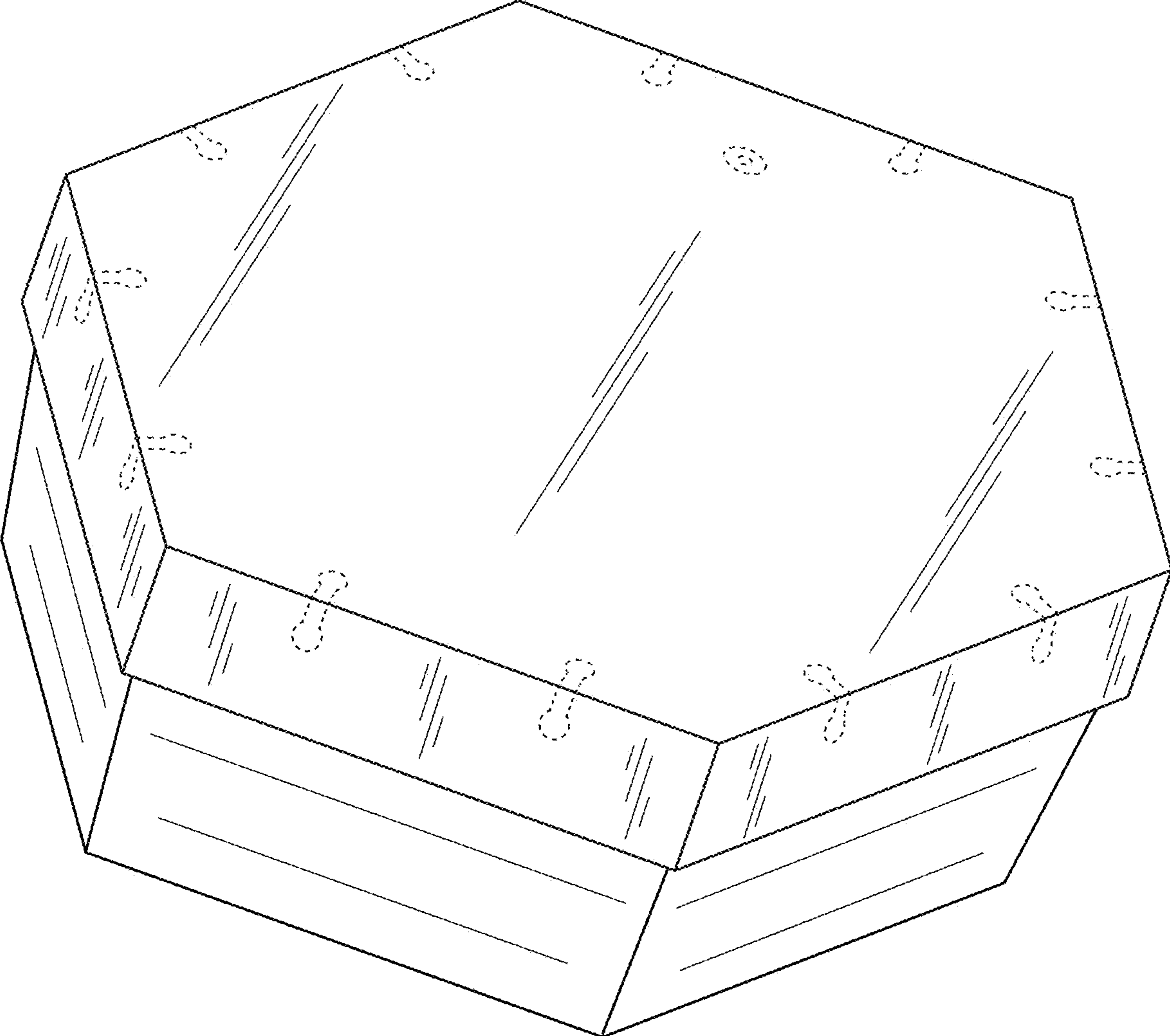


FIG. 1

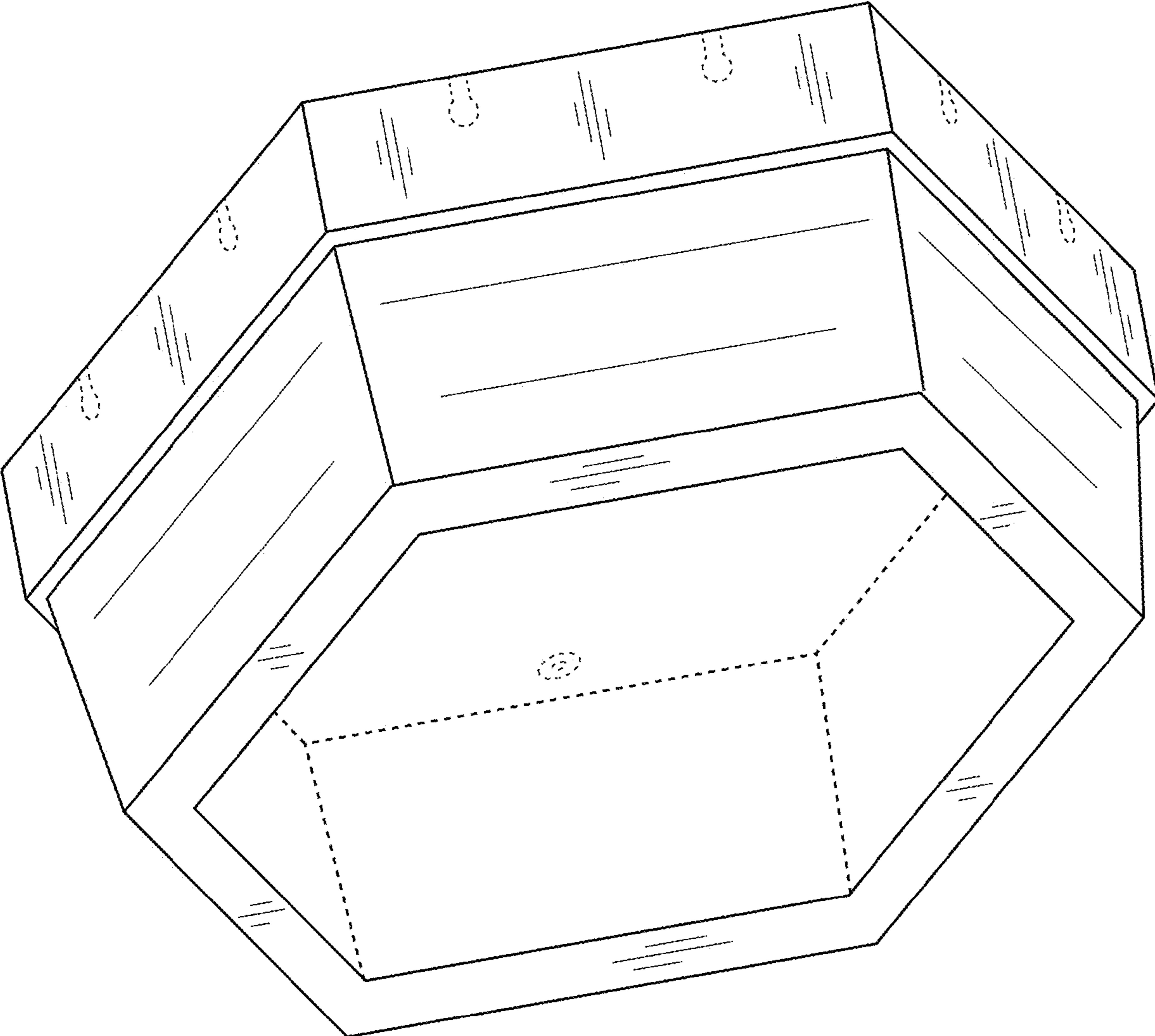


FIG. 2

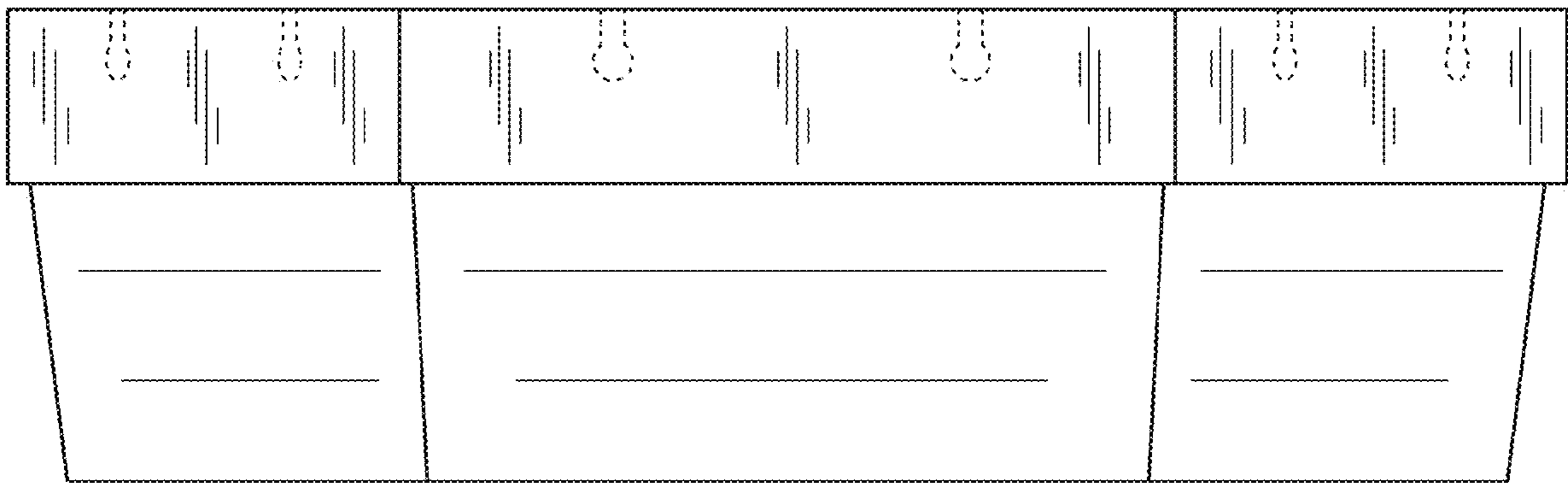


FIG. 3

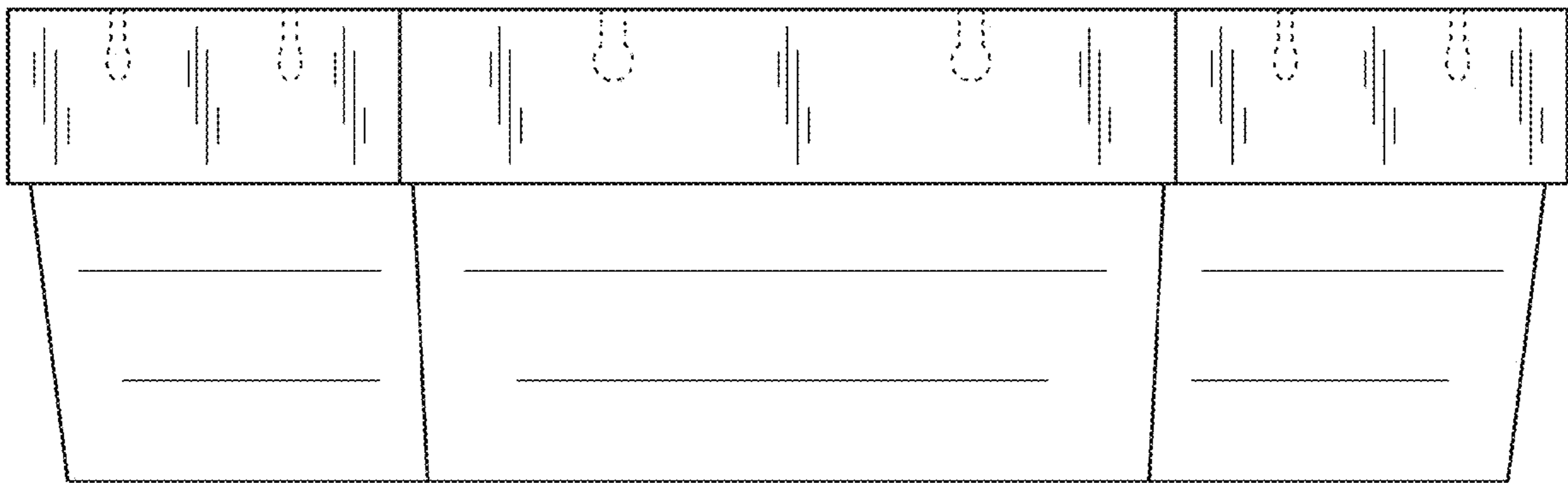


FIG. 4

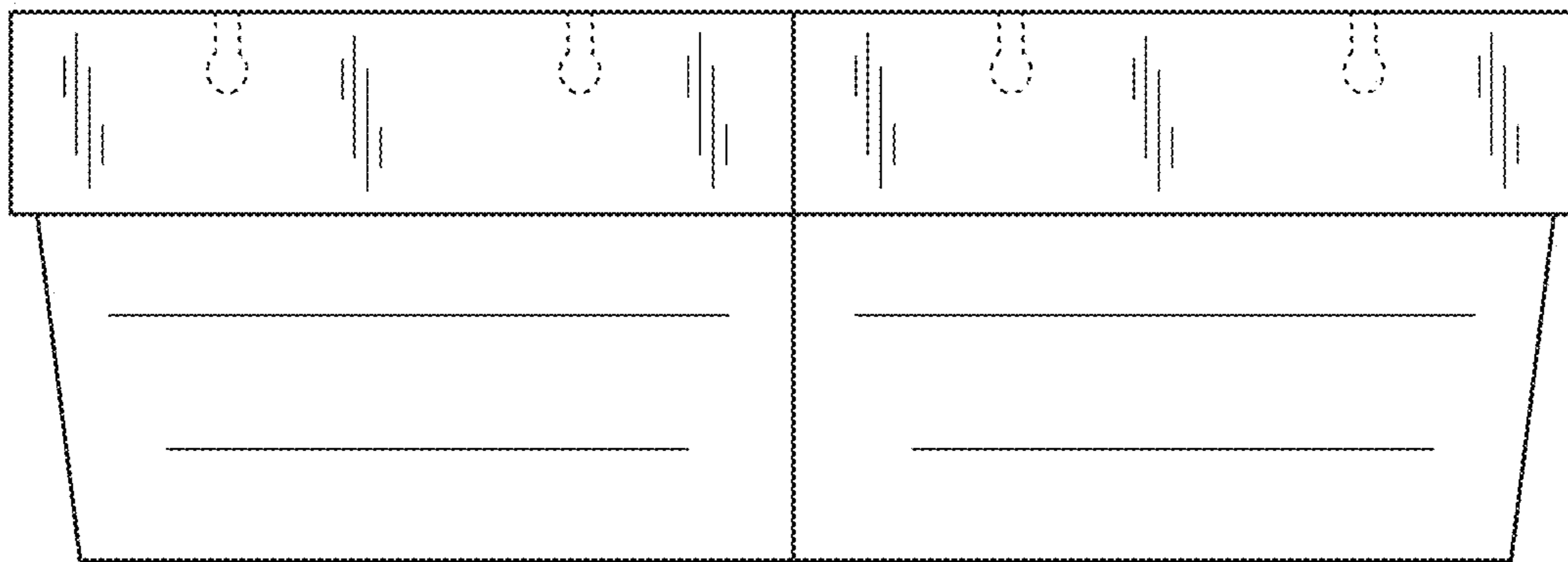


FIG. 5

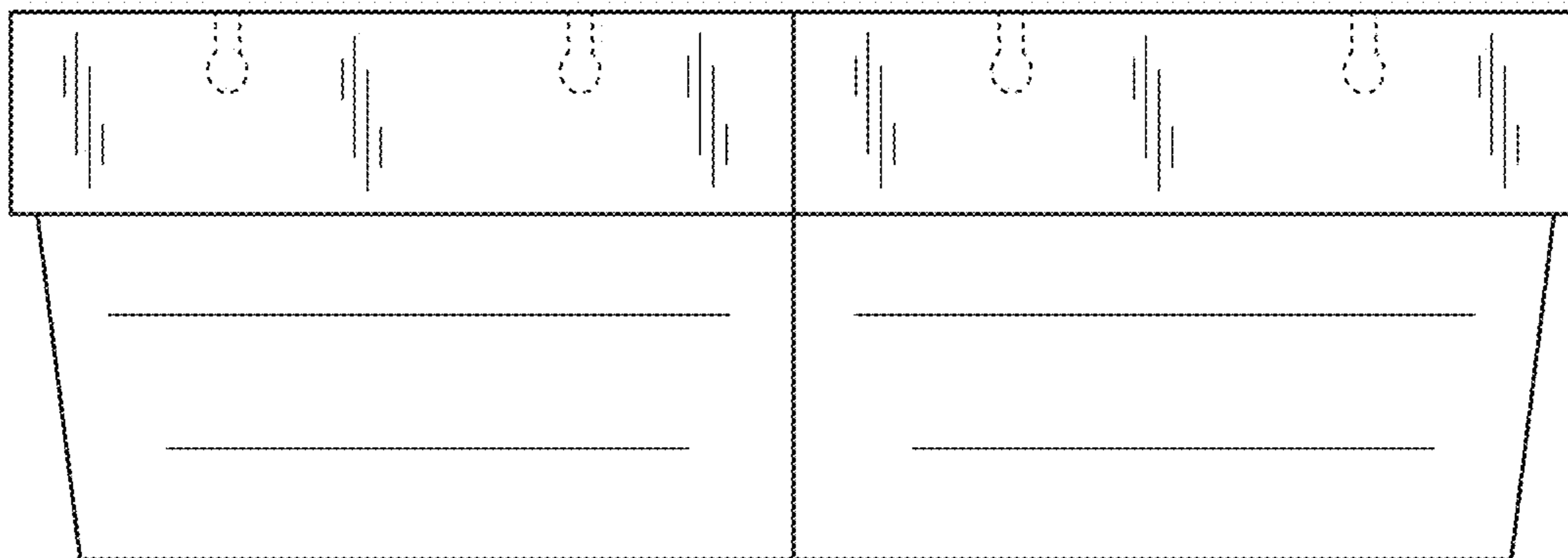


FIG. 6

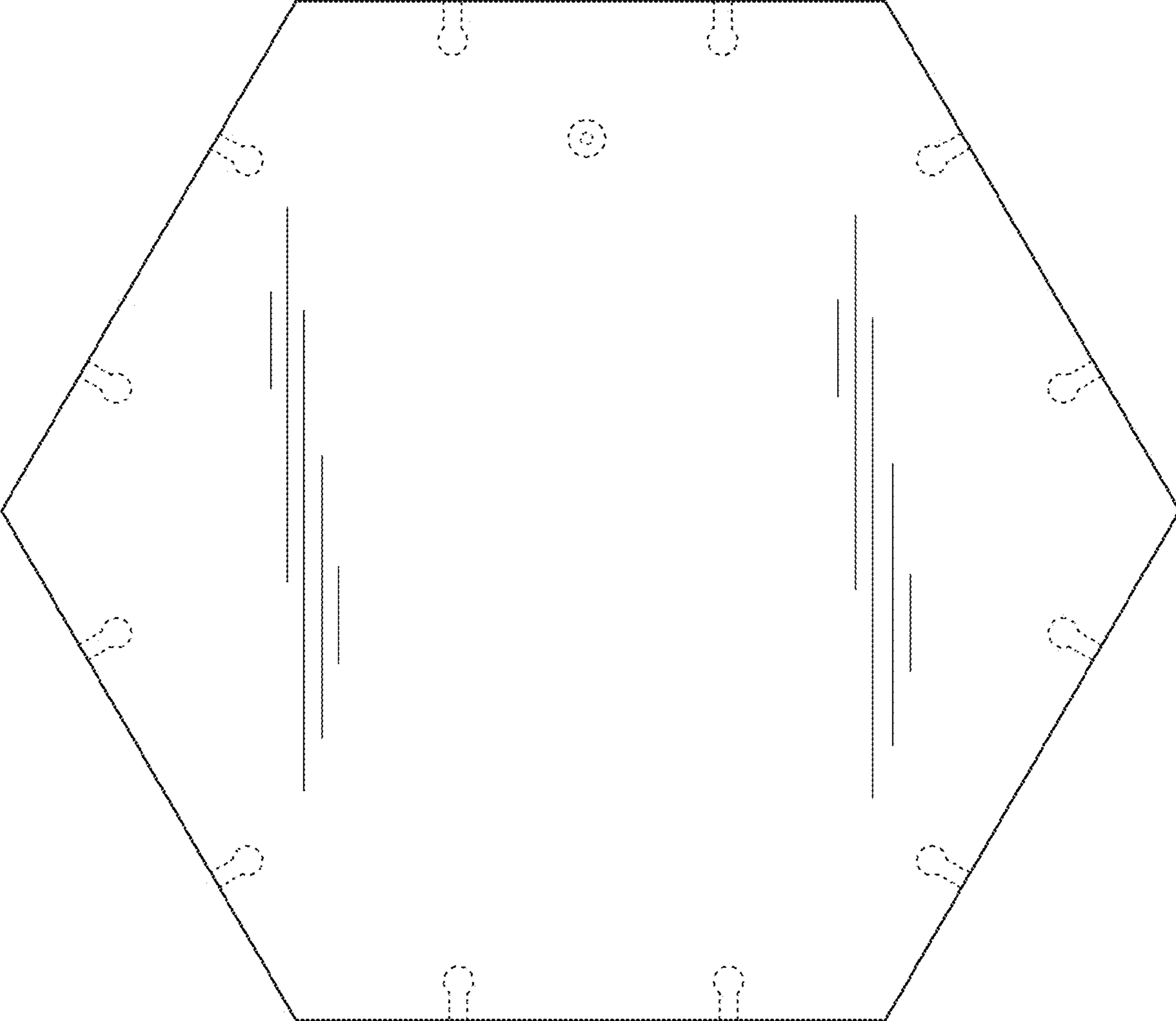


FIG. 7

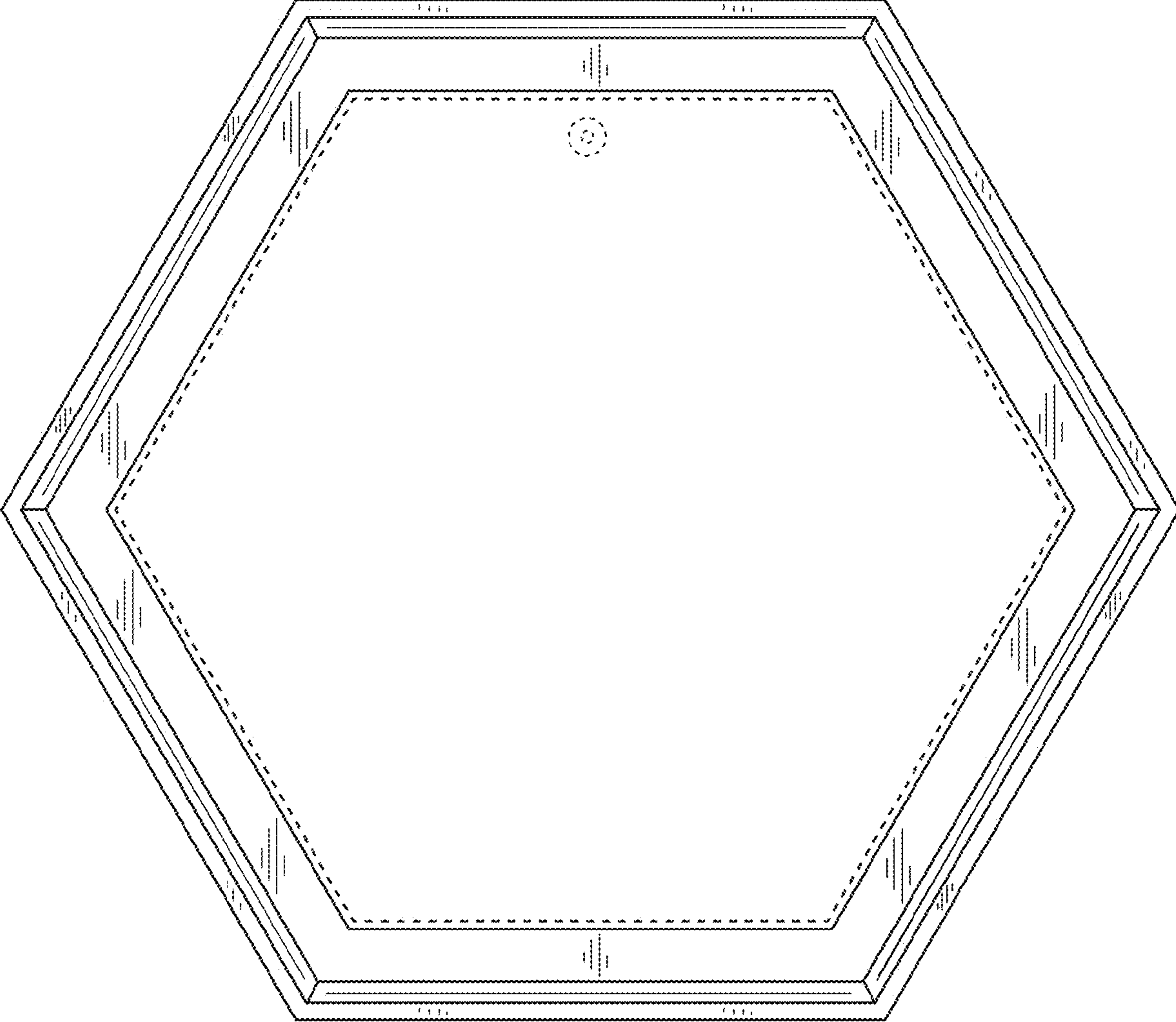


FIG. 8