



US00D897465S

(12) **United States Design Patent**  
**Johnston**

(10) **Patent No.:** **US D897,465 S**

(45) **Date of Patent:** **\*\* Sep. 29, 2020**

- (54) **GOLF CLUB SHAFT WEIGHT**
- (71) Applicant: **Callaway Golf Company**, Carlsbad, CA (US)
- (72) Inventor: **Logan Johnston**, La Mesa, CA (US)
- (73) Assignee: **Callaway Golf Company**, Carlsbad, CA (US)
- (\*\*) Term: **15 Years**
- (21) Appl. No.: **29/694,759**
- (22) Filed: **Jun. 13, 2019**
- (51) **LOC (12) Cl.** ..... **21-02**
- (52) **U.S. Cl.**  
USPC ..... **D21/753**; D21/757
- (58) **Field of Classification Search**  
USPC ..... D21/753, 756-759, 789; D22/116  
CPC ..... A63B 60/24-30; A63B 53/08-14; A63B 60/00; A63B 60/46  
See application file for complete search history.

7,699,718	B2 *	4/2010	Lindner	.....	A63B 60/24 473/297
7,704,161	B2 *	4/2010	Lindner	.....	A63B 60/24 473/297
8,177,658	B1 *	5/2012	Johnson	.....	A63B 60/24 473/297
9,174,104	B1 *	11/2015	Rogacki	.....	A63B 60/30
9,694,265	B2 *	7/2017	Margoles	.....	A63B 53/14
10,046,217	B2 *	8/2018	Golden	.....	A63B 60/24
D832,382	S *	10/2018	Van Nguyen	.....	D21/753
D854,640	S *	7/2019	Rogacki	.....	D21/756
2004/0053715	A1 *	3/2004	Schwieg	.....	A63B 60/10 473/519
2010/0105498	A1 *	4/2010	Johnson	.....	A63B 60/02 473/318
2011/0124431	A1 *	5/2011	Karube	.....	A63B 60/22 473/300

\* cited by examiner

*Primary Examiner* — Mitchell I. Siegel  
(74) *Attorney, Agent, or Firm* — Rebecca Hanovice;  
Michael Catania; Sonia Lari

(57) **CLAIM**

The ornamental design for a golf club shaft weight, as shown and described.

**DESCRIPTION**

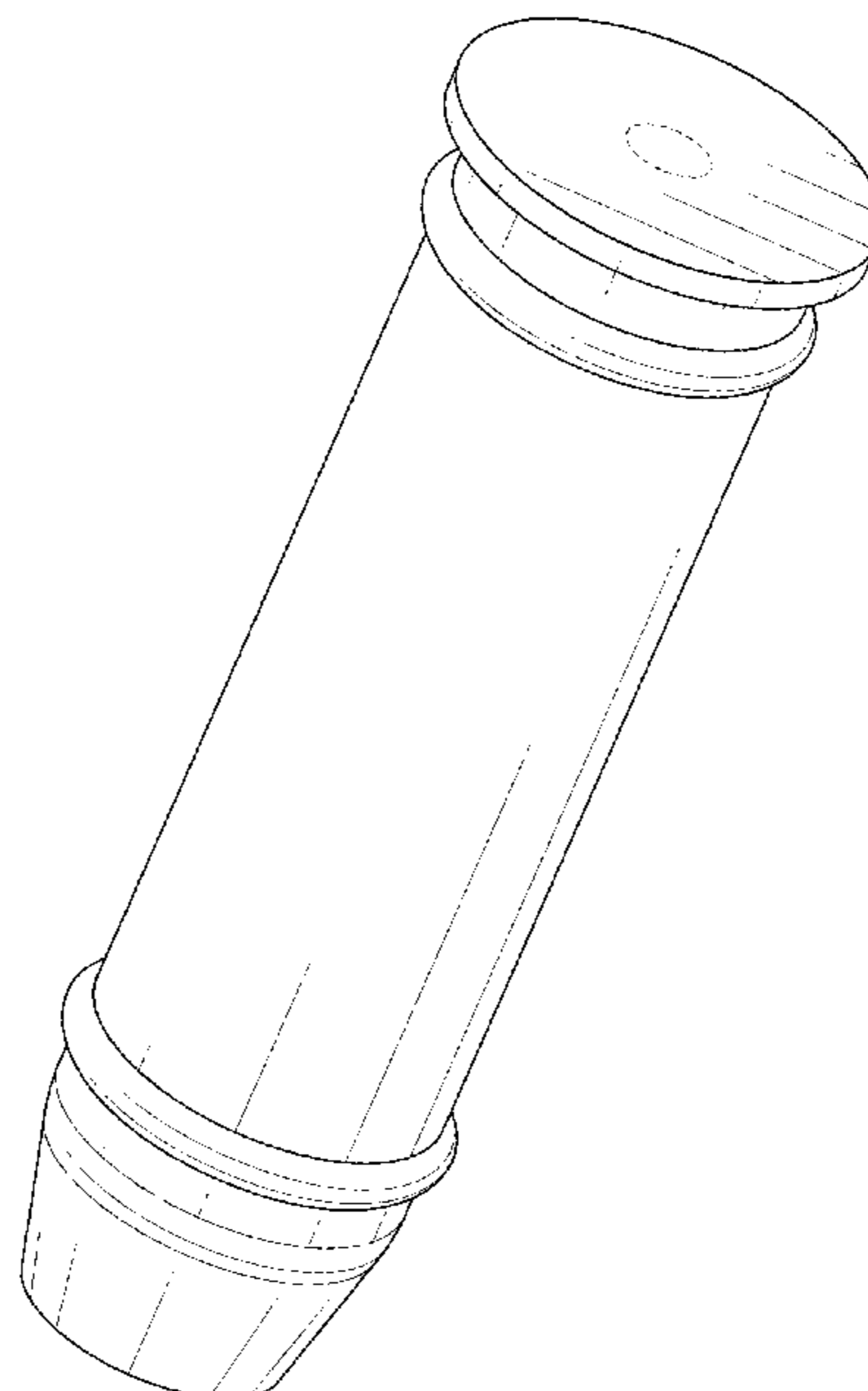
FIG. 1 is a side perspective view of the golf club shaft weight claimed herein;  
FIG. 2 is a front elevational view thereof;  
FIG. 3 is a rear elevational view thereof;  
FIG. 4 is a top plan view thereof;  
FIG. 5 is a bottom plan view thereof; and,  
FIG. 6 is another side perspective view thereof.  
The broken lines in the figures show portions of the golf club shaft weight that form no part of the claimed design.

**1 Claim, 4 Drawing Sheets**

(56) **References Cited**

U.S. PATENT DOCUMENTS

3,075,768	A *	1/1963	Karns	.....	A63B 60/24 473/297
4,461,479	A *	7/1984	Mitchell	.....	A63B 60/24 473/292
4,936,586	A *	6/1990	Van Raemdonck	...	A63B 49/08 473/519
4,969,921	A *	11/1990	Silvera	.....	A63B 69/3632 473/234
D319,278	S *	8/1991	Tosti	.....	D21/756
D385,006	S *	10/1997	Sims	.....	D21/753
6,364,787	B1 *	4/2002	Huiskamp	.....	A63B 53/14 473/294
7,481,716	B1 *	1/2009	Johnson	.....	A63B 60/24 473/297



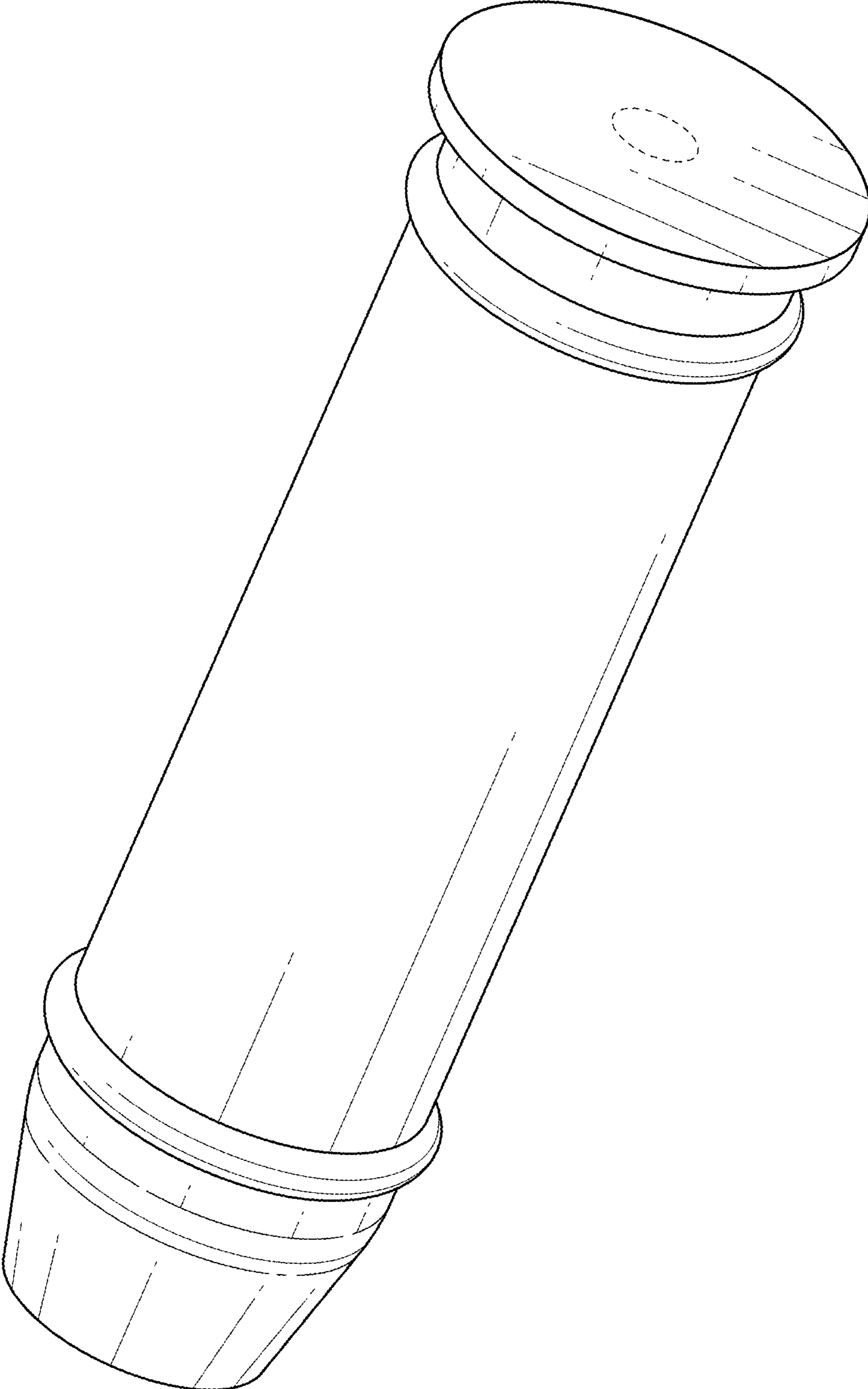


FIG. 1

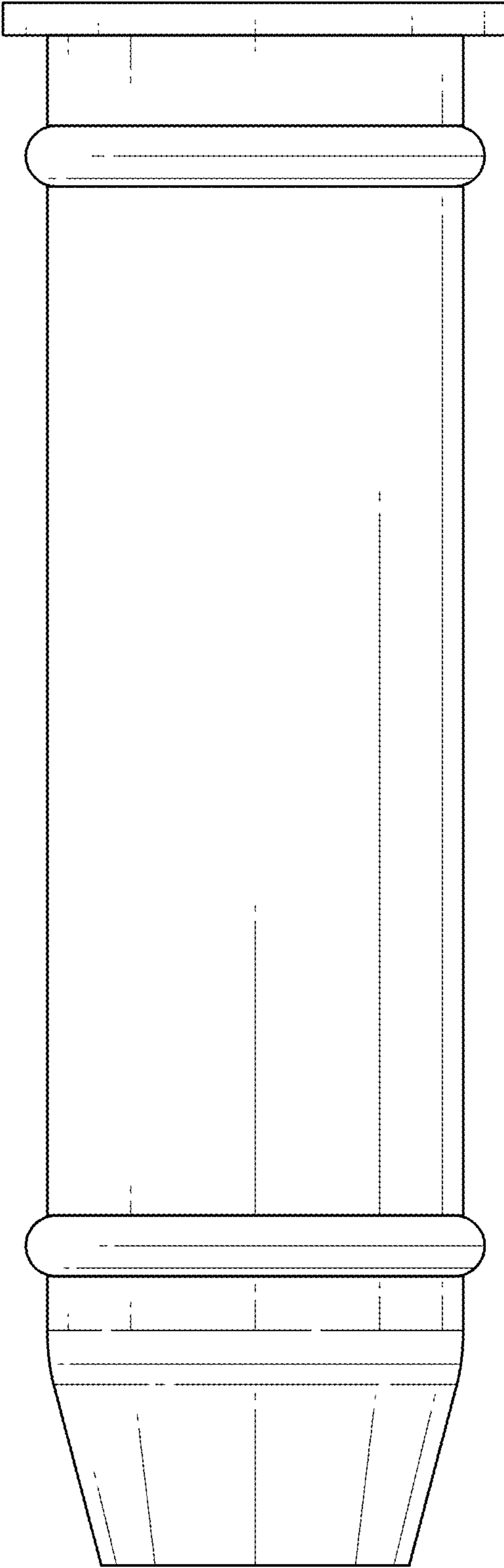


FIG. 2

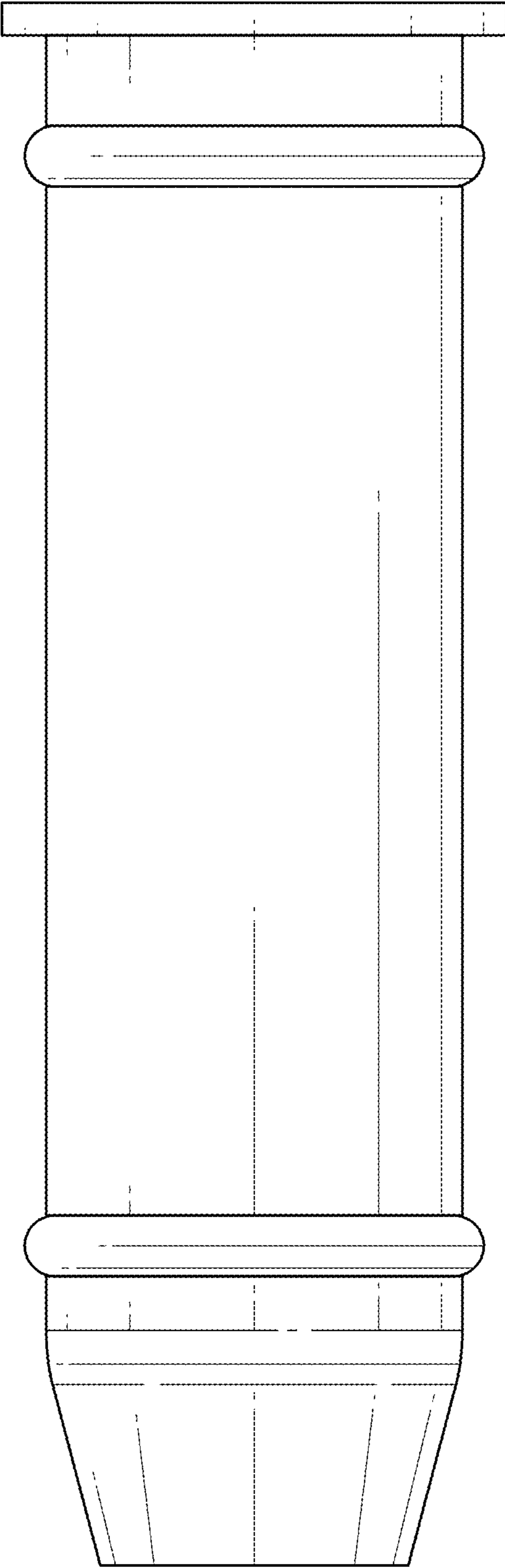


FIG. 3

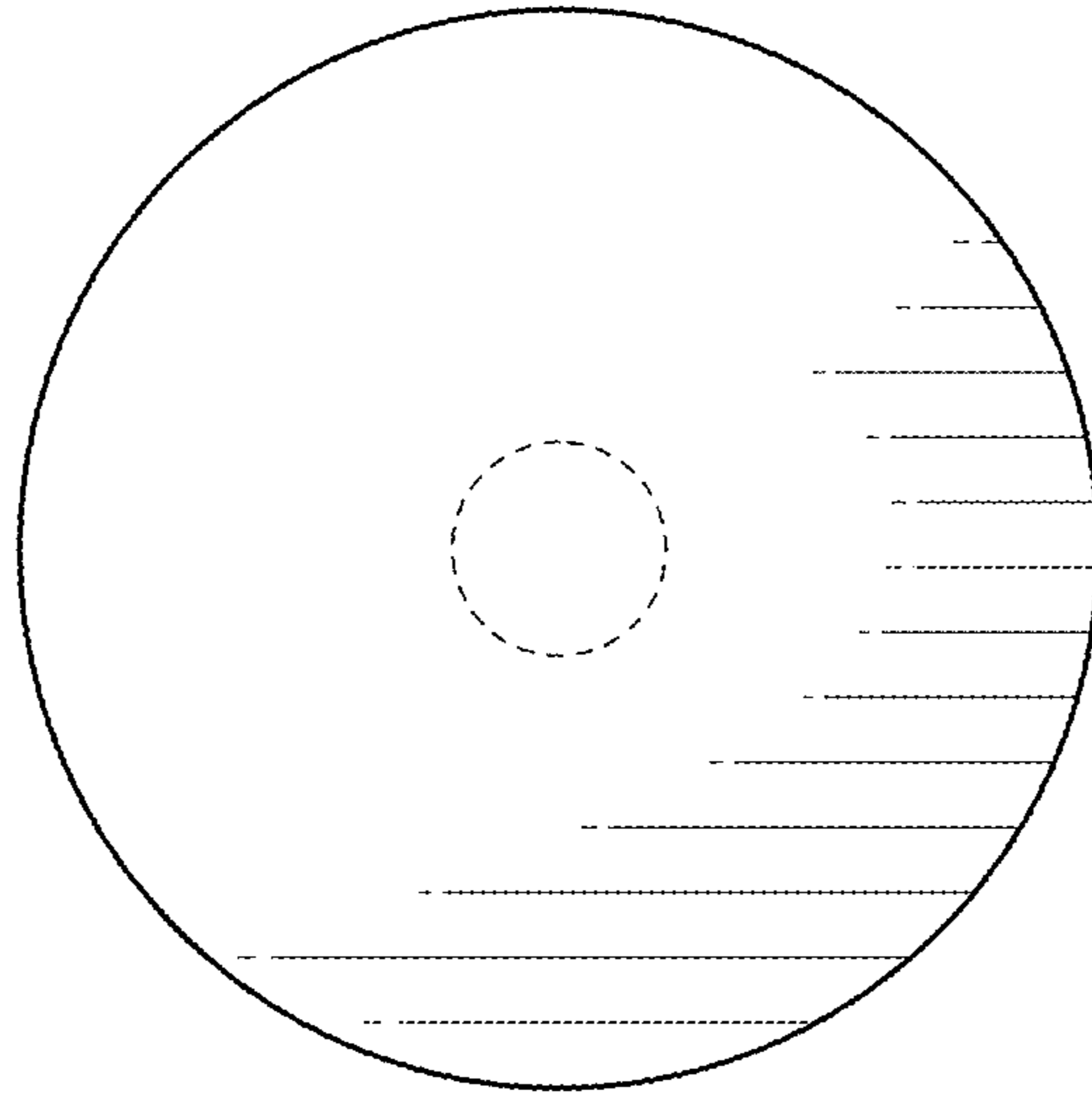


FIG. 4

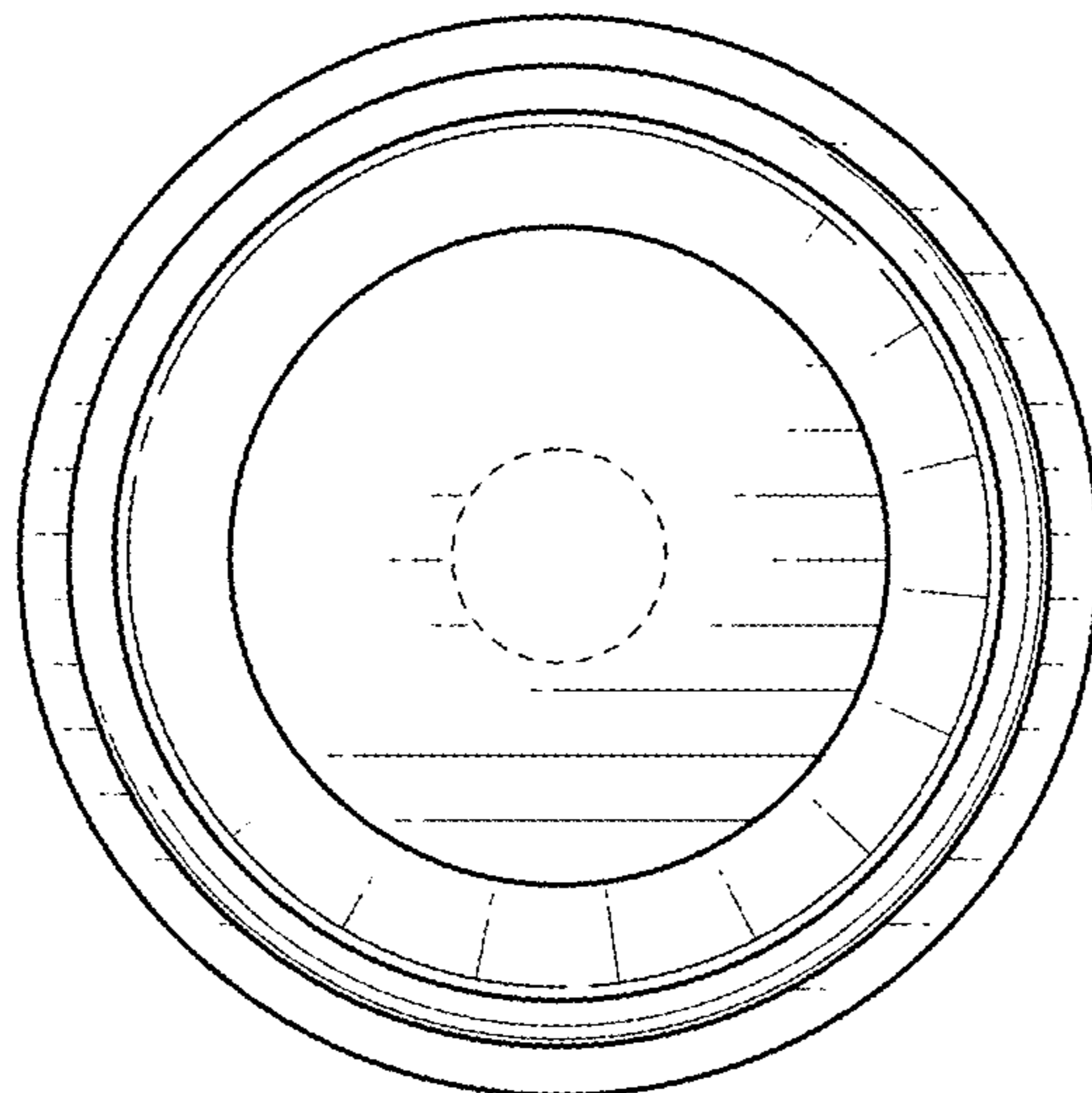


FIG. 5

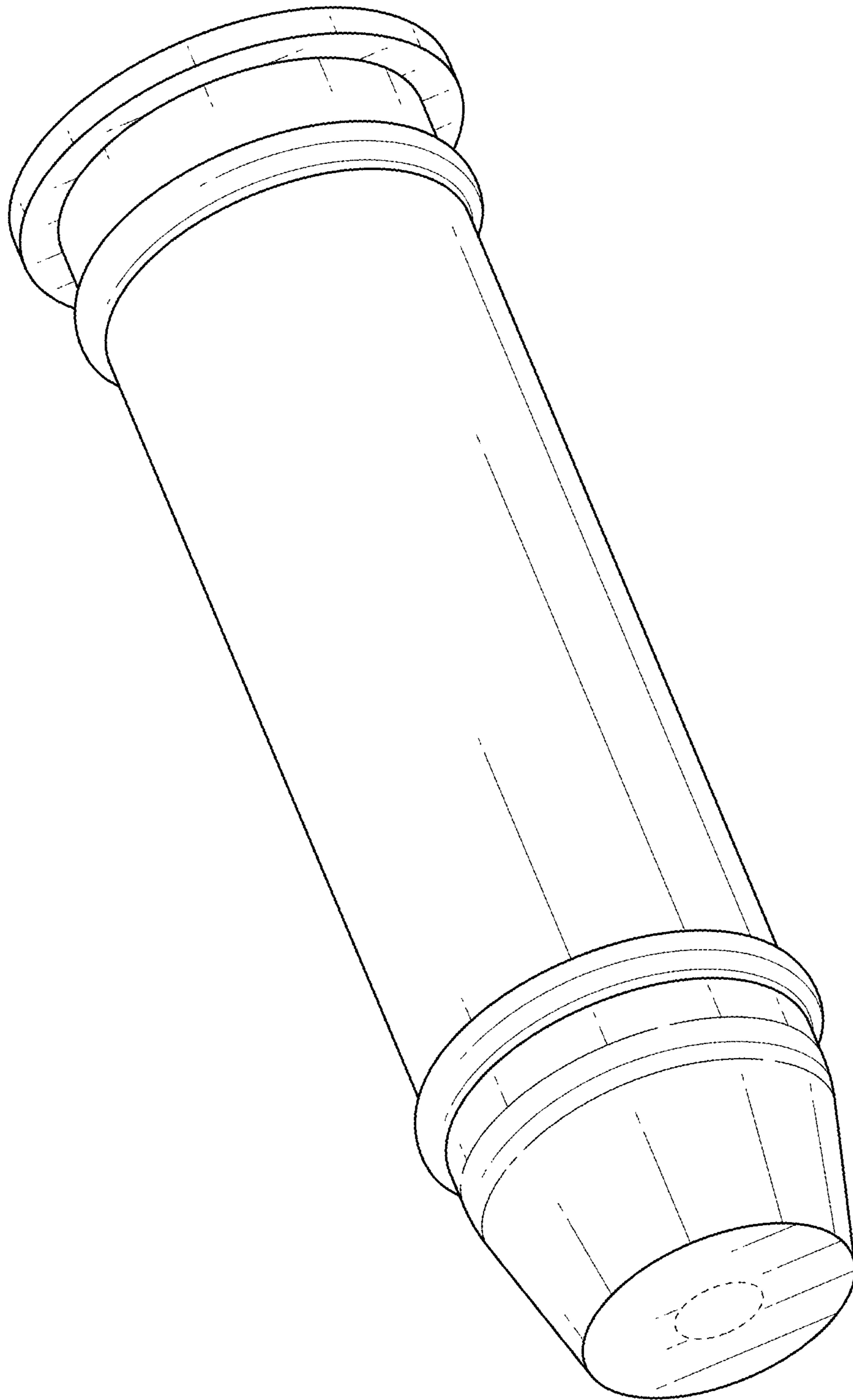


FIG. 6