

US00D897460S

(12) **United States Design Patent**  
**Kandic**

(10) **Patent No.:** **US D897,460 S**

(45) **Date of Patent:** **\*\* Sep. 29, 2020**

- (54) **SPORTS EQUIPMENT HEAD**
- (71) Applicant: **Mladen Kandic**, Woodside, NY (US)
- (72) Inventor: **Mladen Kandic**, Woodside, NY (US)
- (\*\*) Term: **15 Years**
- (21) Appl. No.: **29/692,428**
- (22) Filed: **May 24, 2019**
- (51) **LOC (12) Cl.** ..... **21-02**
- (52) **U.S. Cl.**  
USPC ..... **D21/722**
- (58) **Field of Classification Search**  
USPC ..... D21/722, 725, 733, 727, 736-746, 752;  
D30/160  
CPC . A63B 59/70; A63B 2102/22; A63B 2102/24;  
A63B 59/30; A63B 65/00-127  
See application file for complete search history.

(56) **References Cited**

**U.S. PATENT DOCUMENTS**

3,374,027	A *	3/1968	Jacobs	.....	A63B 47/02 294/19.2
D257,872	S *	1/1981	MacDougall	.....	D21/744
D257,873	S *	1/1981	MacDougall	.....	D21/745
D335,691	S *	5/1993	Barker	.....	D21/736
D356,356	S *	3/1995	Jacobs	.....	D21/744
D364,666	S *	11/1995	Nagy	.....	D21/743
D368,752	S *	4/1996	Patten	.....	D21/745
D390,294	S *	2/1998	Burrows	.....	D21/752
D390,295	S *	2/1998	Burrows	.....	D21/752
D392,354	S *	3/1998	Burrows	.....	D21/752
D397,749	S *	9/1998	Burrows	.....	D21/733
D432,607	S *	10/2000	Uebelhor	.....	D21/736
D490,870	S *	6/2004	Burrows	.....	A63B 53/0466 D21/752

6,776,727	B1 *	8/2004	Engdahl	.....	A63B 53/0487 473/340
D501,234	S *	1/2005	Cheng	.....	D21/743
D507,027	S *	7/2005	Hale, Jr.	.....	D21/722
7,041,004	B2 *	5/2006	Engdahl	.....	A63B 53/007 473/340
7,244,201	B2 *	7/2007	Hale	.....	A63B 67/002 273/129 R
D638,890	S *	5/2011	Raab	.....	D21/736
D672,829	S *	12/2012	Pfaff	.....	D21/736
D715,387	S *	10/2014	Pfaff	.....	D21/736
D721,146	S *	1/2015	Hough	.....	D21/744
D722,661	S *	2/2015	Hough	.....	D21/743
D722,662	S *	2/2015	Hough	.....	D21/744
D844,086	S *	3/2019	Boggs	.....	D21/752

\* cited by examiner

*Primary Examiner* — Mitchell I. Siegel

(74) *Attorney, Agent, or Firm* — Andrew F. Young, Esq.;  
Lackebach Siegel, LLP

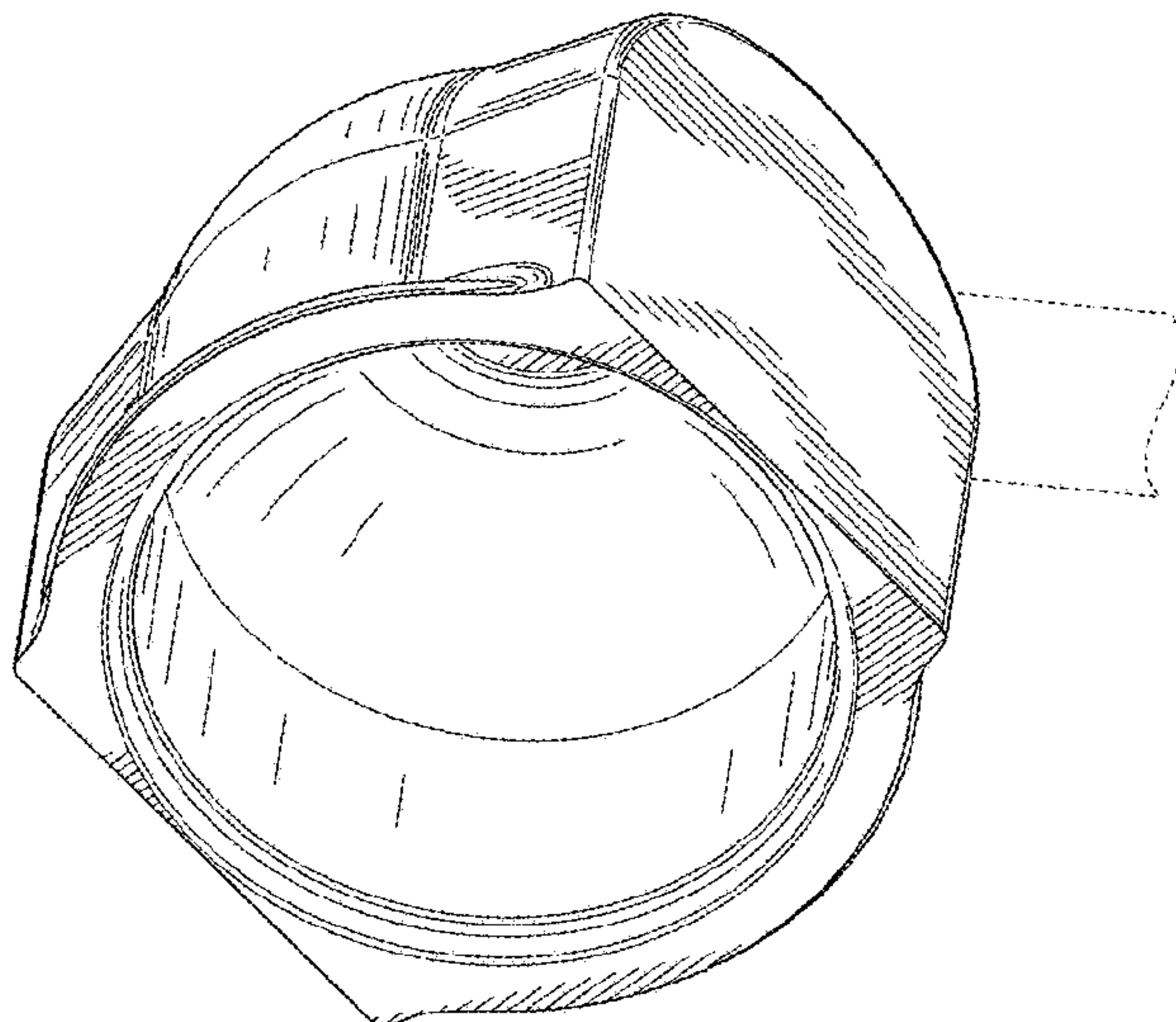
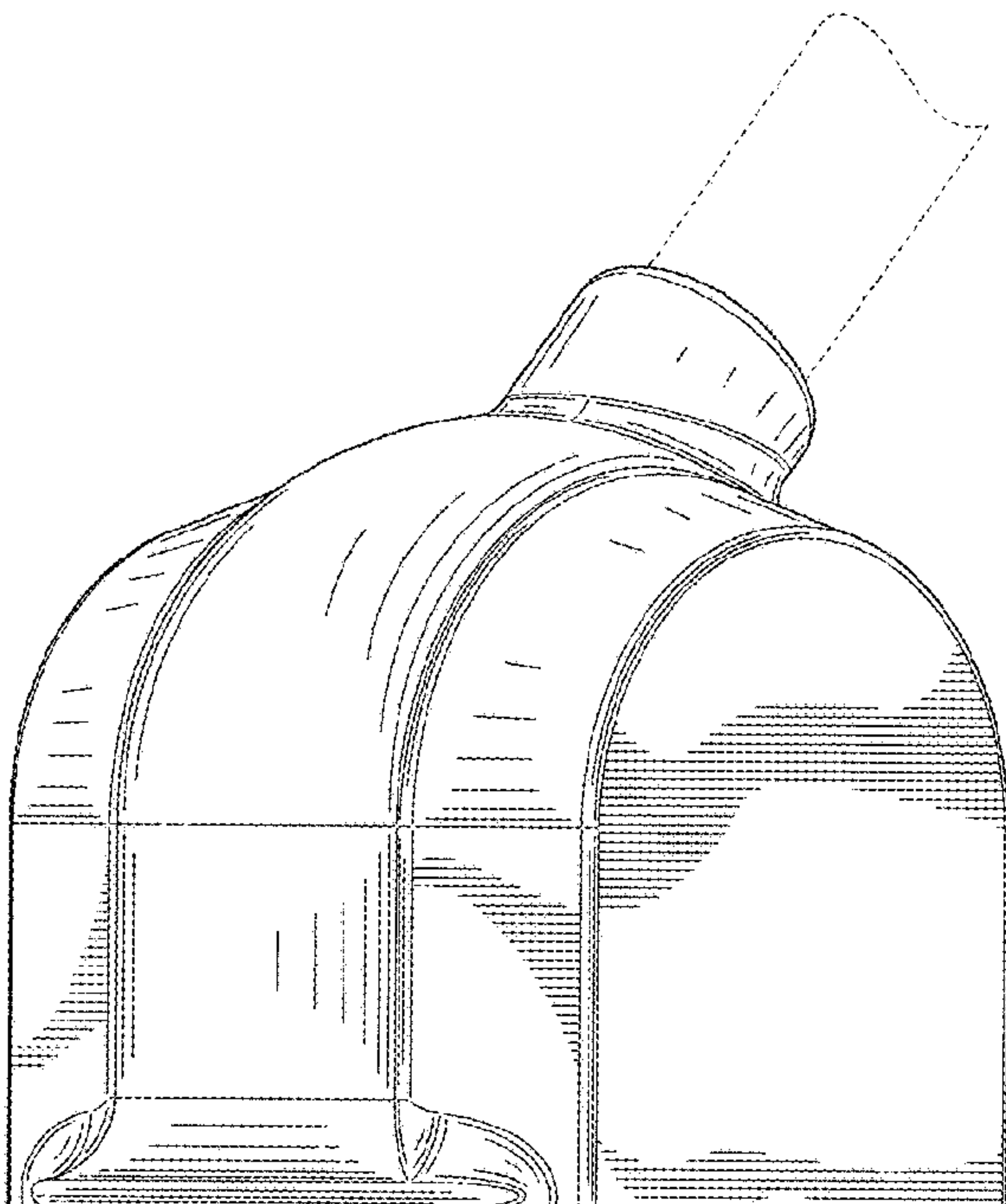
(57) **CLAIM**

The ornamental design for a sports equipment head, as shown and described.

**DESCRIPTION**

FIG. 1 is front top left perspective view of a sports equipment head showing my new design.  
 FIG. 2 is a bottom rear perspective view thereof.  
 FIG. 3 is a front elevation view thereof.  
 FIG. 4 is a rear elevation view thereof.  
 FIG. 5 is a right side elevation view thereof.  
 FIG. 6 is a left side elevation view thereof.  
 FIG. 7 is a top plan view thereof; and,  
 FIG. 8 is a bottom plan view thereof.  
 The broken lines showing the fragmented shaft of the sports equipment head forms no part of the claimed design.

**1 Claim, 8 Drawing Sheets**



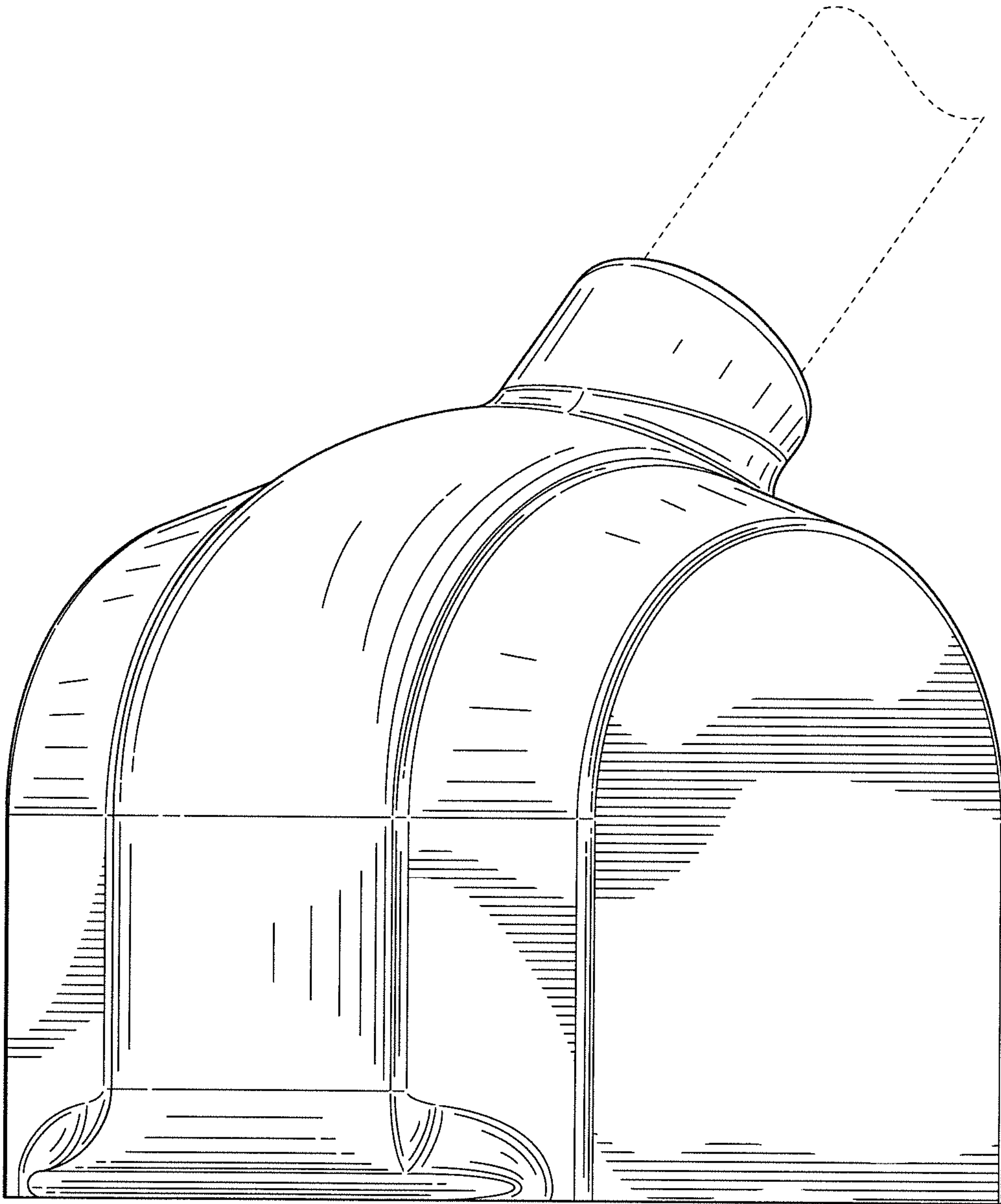


FIG. 1

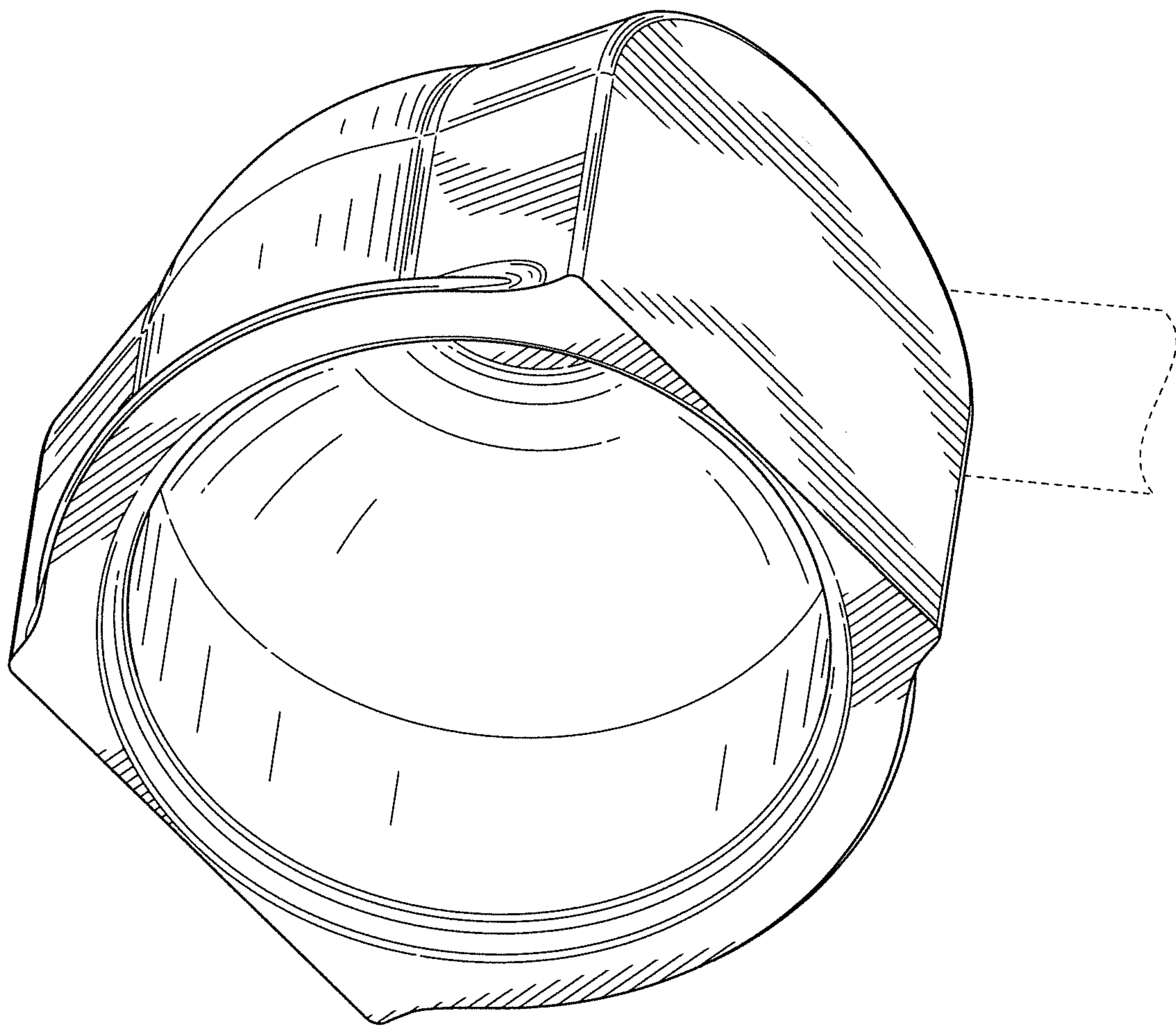


FIG. 2



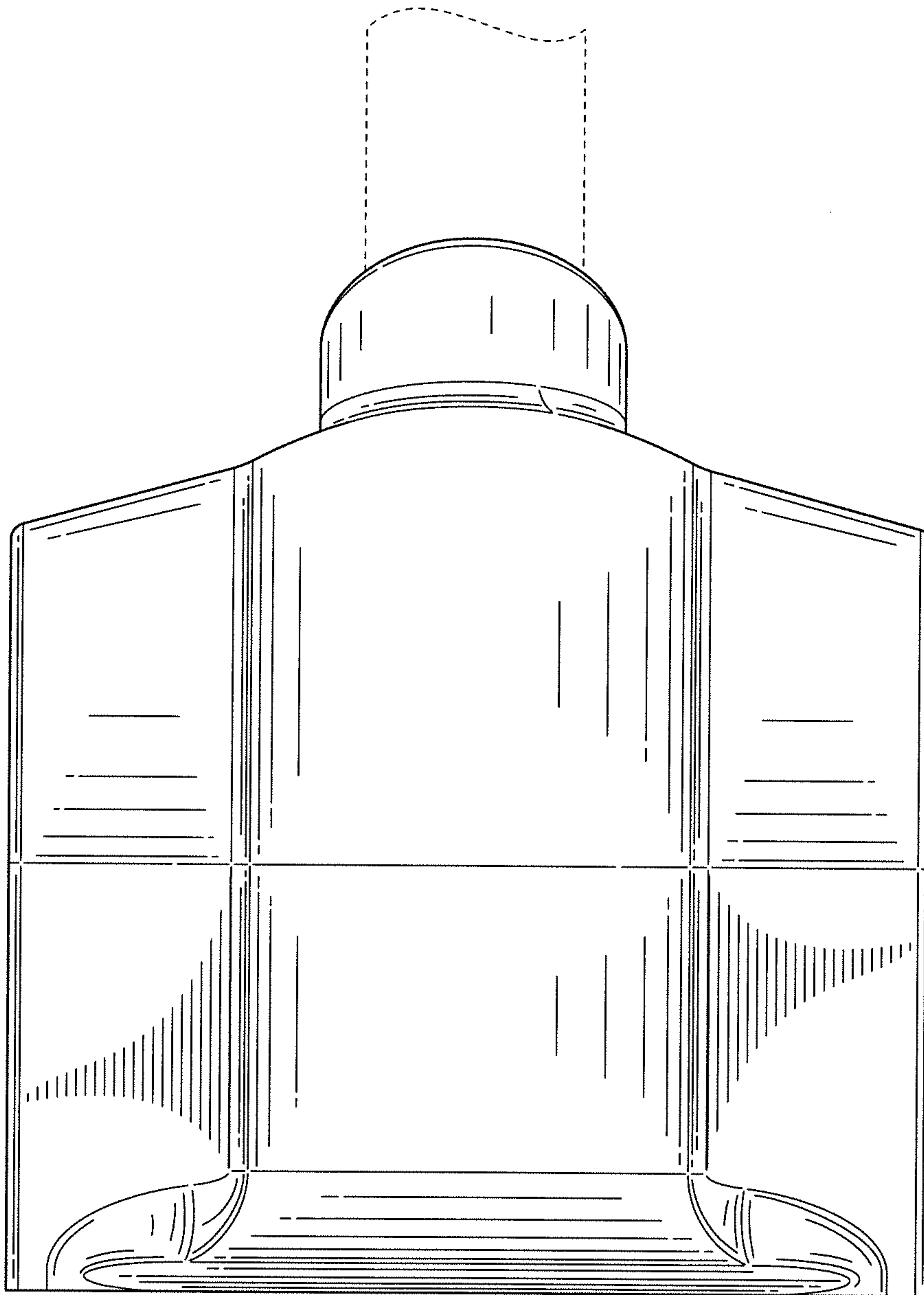


FIG. 3

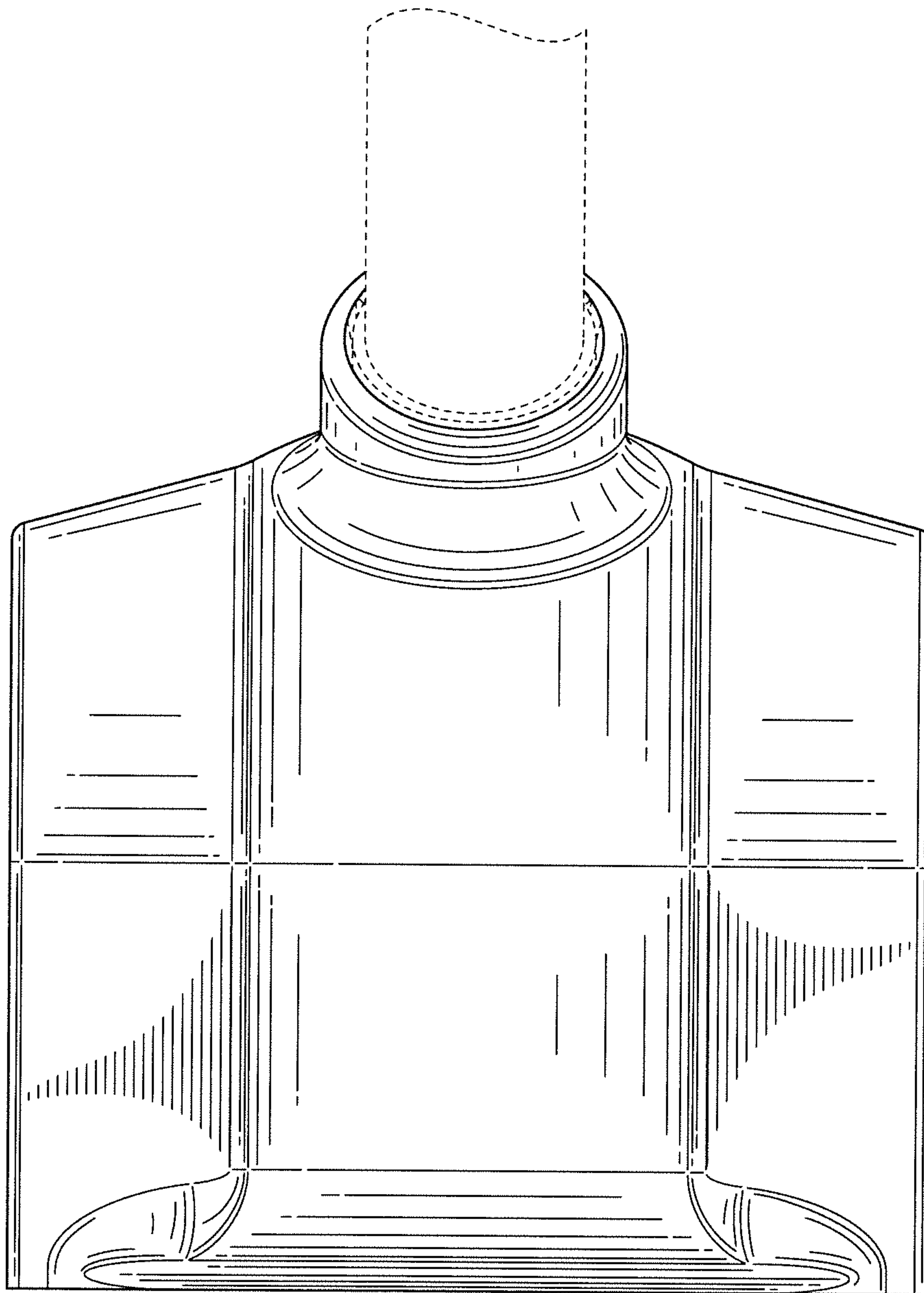


FIG. 4

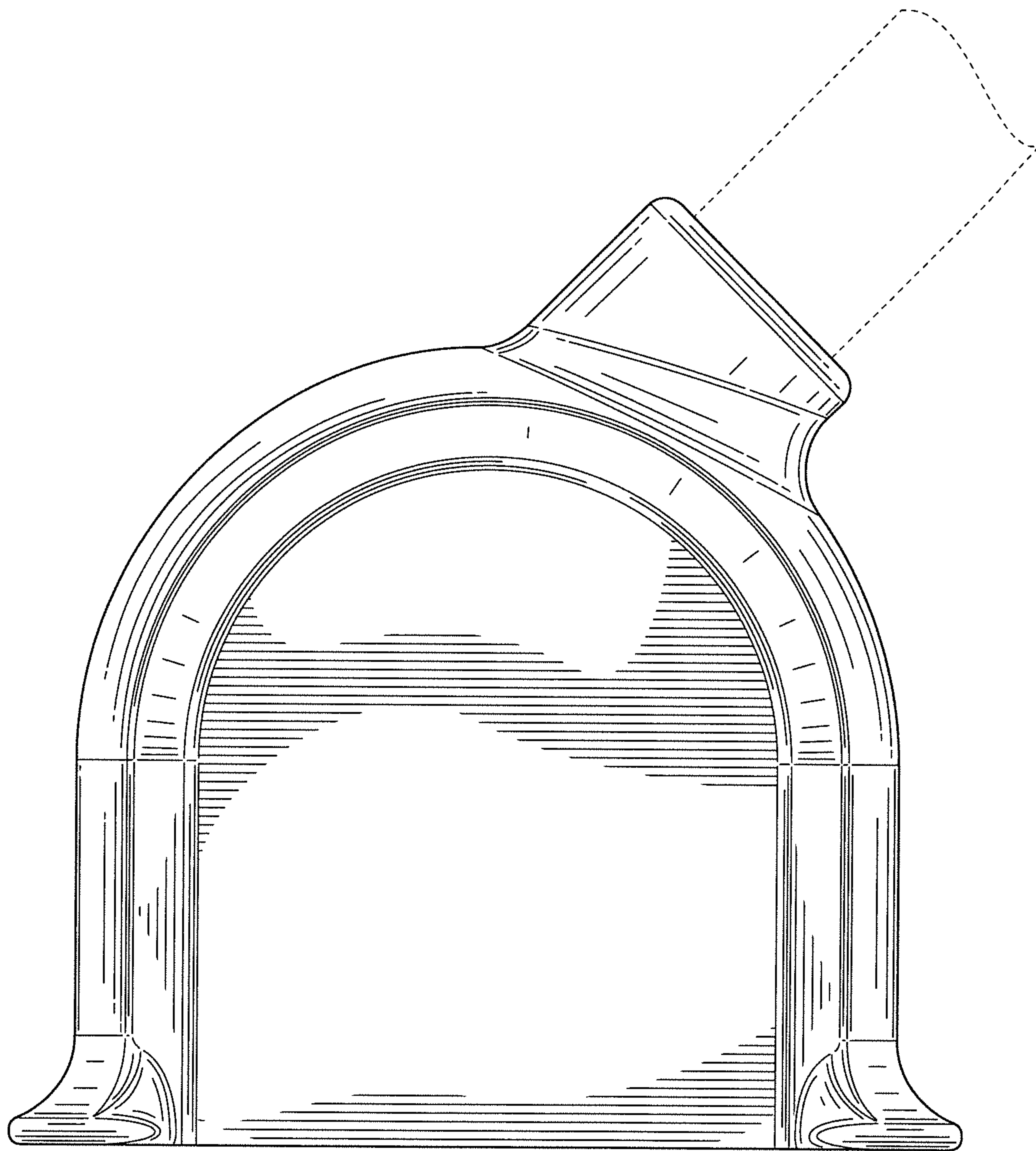


FIG. 5

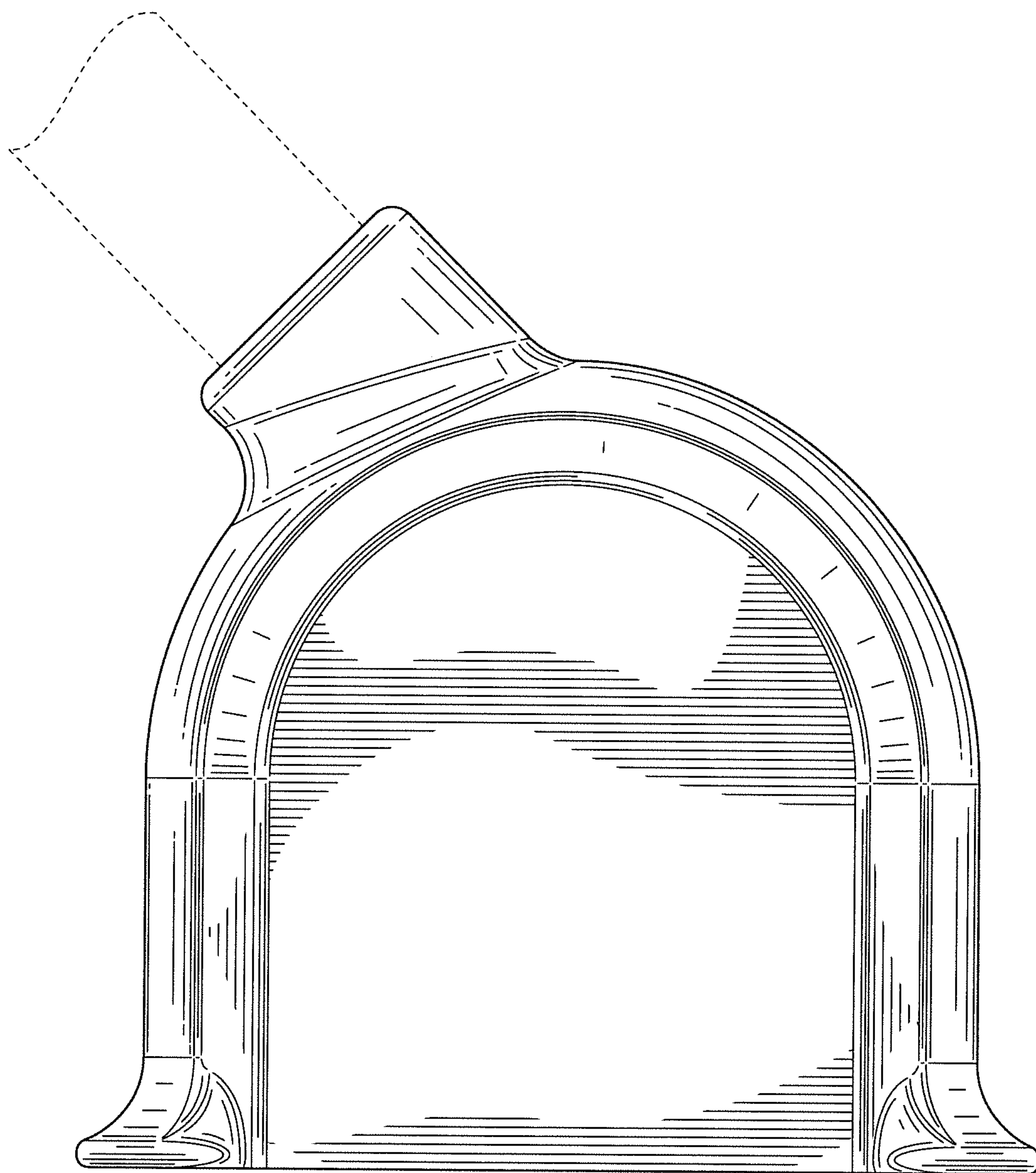


FIG. 6

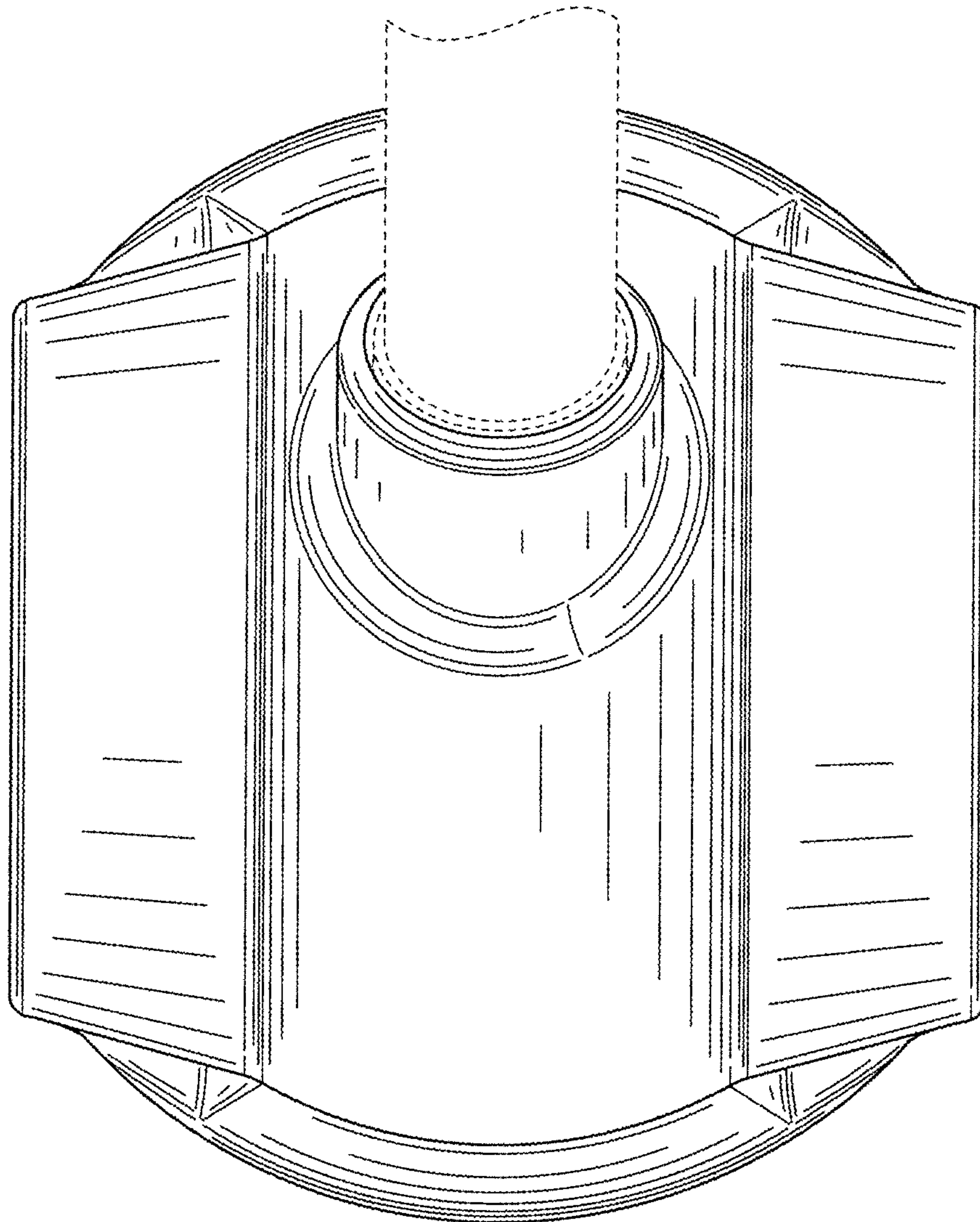


FIG. 7



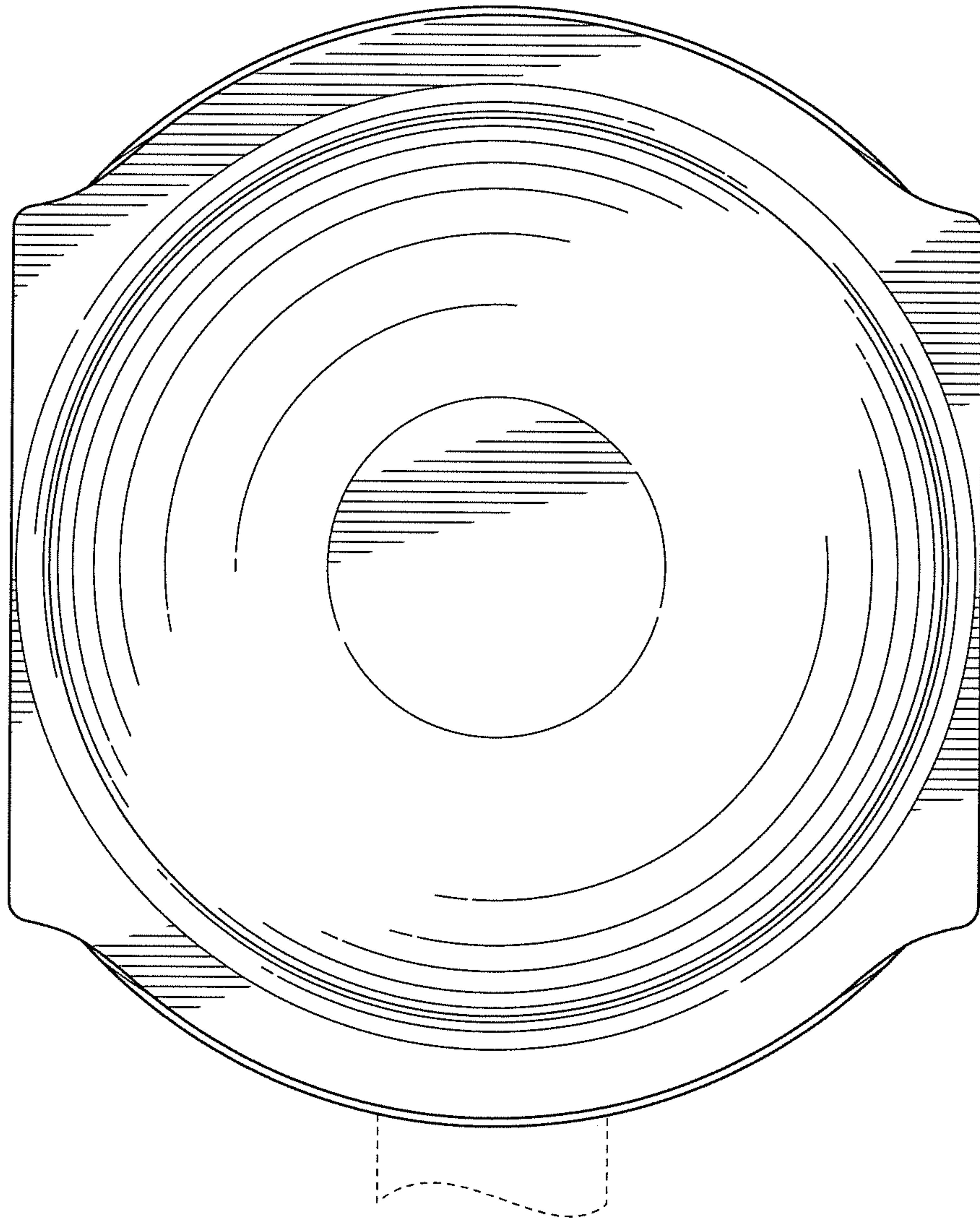


FIG. 8