



US00D897459S

(12) **United States Design Patent** (10) **Patent No.:** **US D897,459 S**
Qiao (45) **Date of Patent:** **** Sep. 29, 2020**

(54) **BASE PLATE FOR AN EXERCISE APPARATUS**

- (71) Applicant: **Xi Lu Qiao**, Guangzhou Guangdong (CN)
- (72) Inventor: **Xi Lu Qiao**, Guangzhou Guangdong (CN)
- (73) Assignee: **JOICOM CORPORATION**, Anaheim, CA (US)
- (**) Term: **15 Years**
- (21) Appl. No.: **29/733,144**
- (22) Filed: **Apr. 30, 2020**
- (51) **LOC (12) Cl.** **21-02**
- (52) **U.S. Cl.**
USPC **D21/686**
- (58) **Field of Classification Search**
USPC D21/797, 698, 662, 683, 686, 684, 688, D21/692, 694; 482/23, 48, 139, 44, 105; 2/161.1, 162, 170, 917, 16, 20; D8/330, D8/303; D20/22; D29/113, 120.1, 791, D29/797, 190, 117.1; 473/205; D24/190
CPC A63B 21/065; A63B 21/4035; A63B 21/0552; A63B 21/4017; A63B 2209/10; A63B 2208/0204; A63B 21/0442; A63B 21/4025
See application file for complete search history.

(56) **References Cited**

U.S. PATENT DOCUMENTS

- 1,019,861 A * 3/1912 Titus A63B 21/0552
482/123
- 1,623,670 A * 4/1927 Frankenfeld A63B 21/04
482/123
- D482,748 S * 11/2003 Flynt D21/662
- D505,460 S * 5/2005 Dalebout D21/671
- D556,842 S 12/2007 Webber
- 7,431,681 B1 * 10/2008 St. Cyr A63B 21/0552
482/121
- D580,502 S 11/2008 Minter

(Continued)

OTHER PUBLICATIONS

BodyBoss by body boss dated no date given. Found online [Jun. 12, 2020] <https://bodybossportablegym.com/collections/all-products/products/bodybossportablegym>.*

Primary Examiner — Ryan Harvey

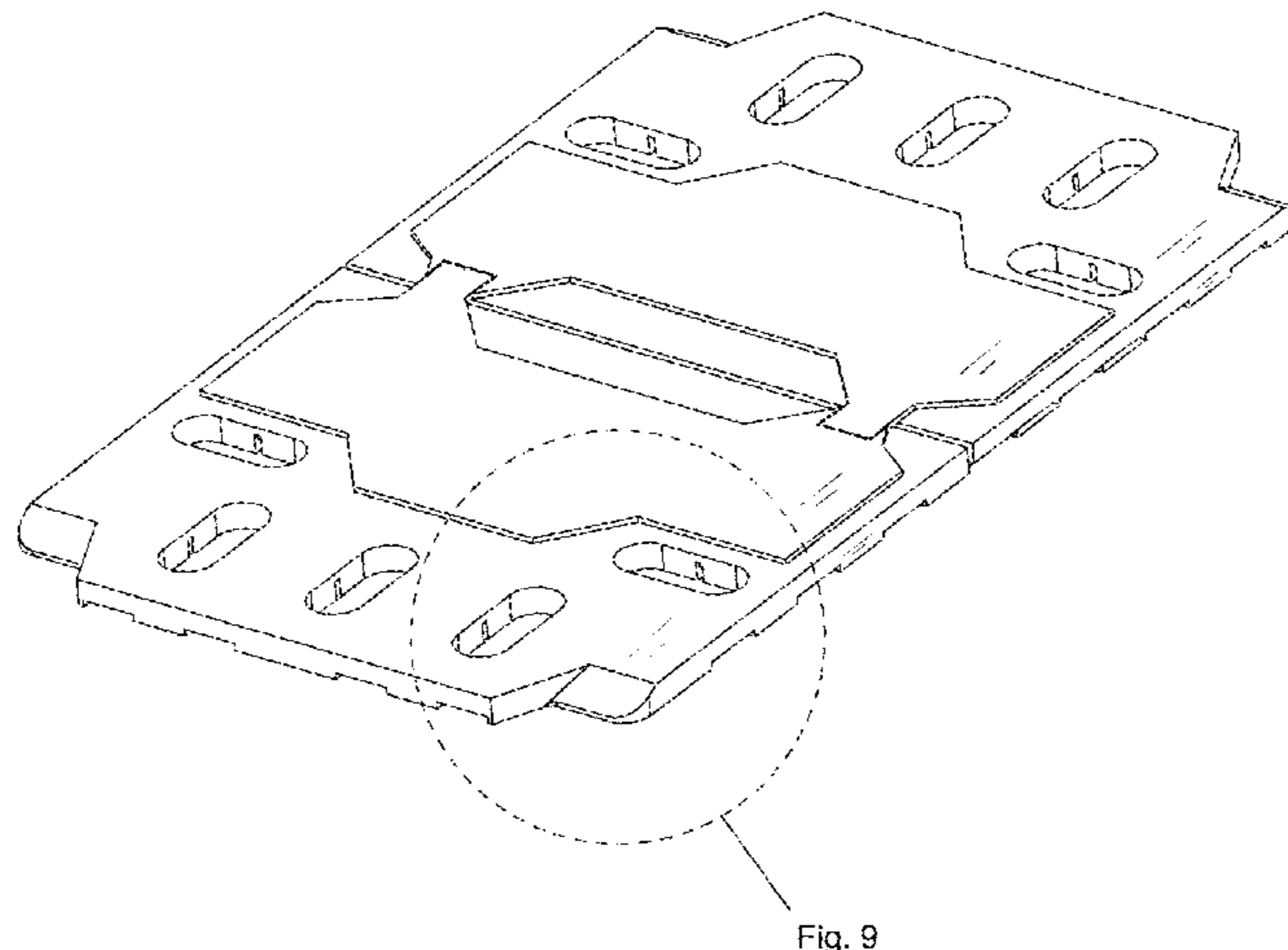
(57) **CLAIM**

The ornamental design for a base plate for an exercise apparatus, as shown and described.

DESCRIPTION

FIG. 1 is a front perspective view of a base plate for an exercise apparatus according to the present invention; FIG. 2 is a rear perspective view thereof; FIG. 3 is a front elevation view thereof; FIG. 4 is a rear elevation view thereof; FIG. 5 is a left side view thereof; FIG. 6 is a right side view thereof; FIG. 7 is a top side view thereof; FIG. 8 is a bottom side view thereof; FIG. 9 is an enlarged perspective view of a feature thereof shown in FIG. 1; FIG. 10 is an enlarged perspective view of a feature thereof shown in FIG. 2; FIG. 11 is an enlarged perspective view of a feature thereof shown in FIG. 2; FIG. 12 is an enlarged fragmentary cross-sectional view taken along lines 12-12 of FIG. 4; FIG. 13 is an enlarged fragmentary cross-sectional view taken along lines 13-13 of FIG. 4; and, FIG. 14 is a front perspective view thereof, showing an user shown in broken lines. The broken line showing of portions of the base plate for an exercise apparatus depicts environment and forms no part of the claim.

1 Claim, 14 Drawing Sheets



(56)

References Cited

U.S. PATENT DOCUMENTS

D590,457 S * 4/2009 Mishan D21/686
D599,419 S * 9/2009 Chiuchiarelli D21/662
D612,896 S * 3/2010 Talley D21/686
D631,520 S 1/2011 Loucks
8,088,050 B2 * 1/2012 Aucamp A63B 21/0552
482/126
8,715,144 B1 * 5/2014 Friess A63B 21/4035
482/123
8,894,554 B2 * 11/2014 Chen A63B 22/18
482/121
8,936,539 B2 * 1/2015 Richard A63B 71/0036
482/123
D776,767 S * 1/2017 Randleman D21/686
D778,374 S * 2/2017 Jaquish D21/686
D785,106 S 4/2017 Panes
D794,726 S * 8/2017 Roseberry D21/687
D831,134 S * 10/2018 Hillson D21/686
D843,515 S * 3/2019 Agostini D21/688
D851,187 S * 6/2019 Leier D21/694
2006/0128540 A1 * 6/2006 Engle A63B 21/04
482/123
2006/0199706 A1 * 9/2006 Wehrell A63B 21/4019
482/92
2008/0318743 A1 * 12/2008 Bizzell A63B 21/0004
482/142
2011/0218077 A1 * 9/2011 Fernandez A63B 26/00
482/8
2017/0333742 A1 * 11/2017 Reese A63B 21/4043
2018/0290002 A1 * 10/2018 Colangelo A63B 21/4037

* cited by examiner

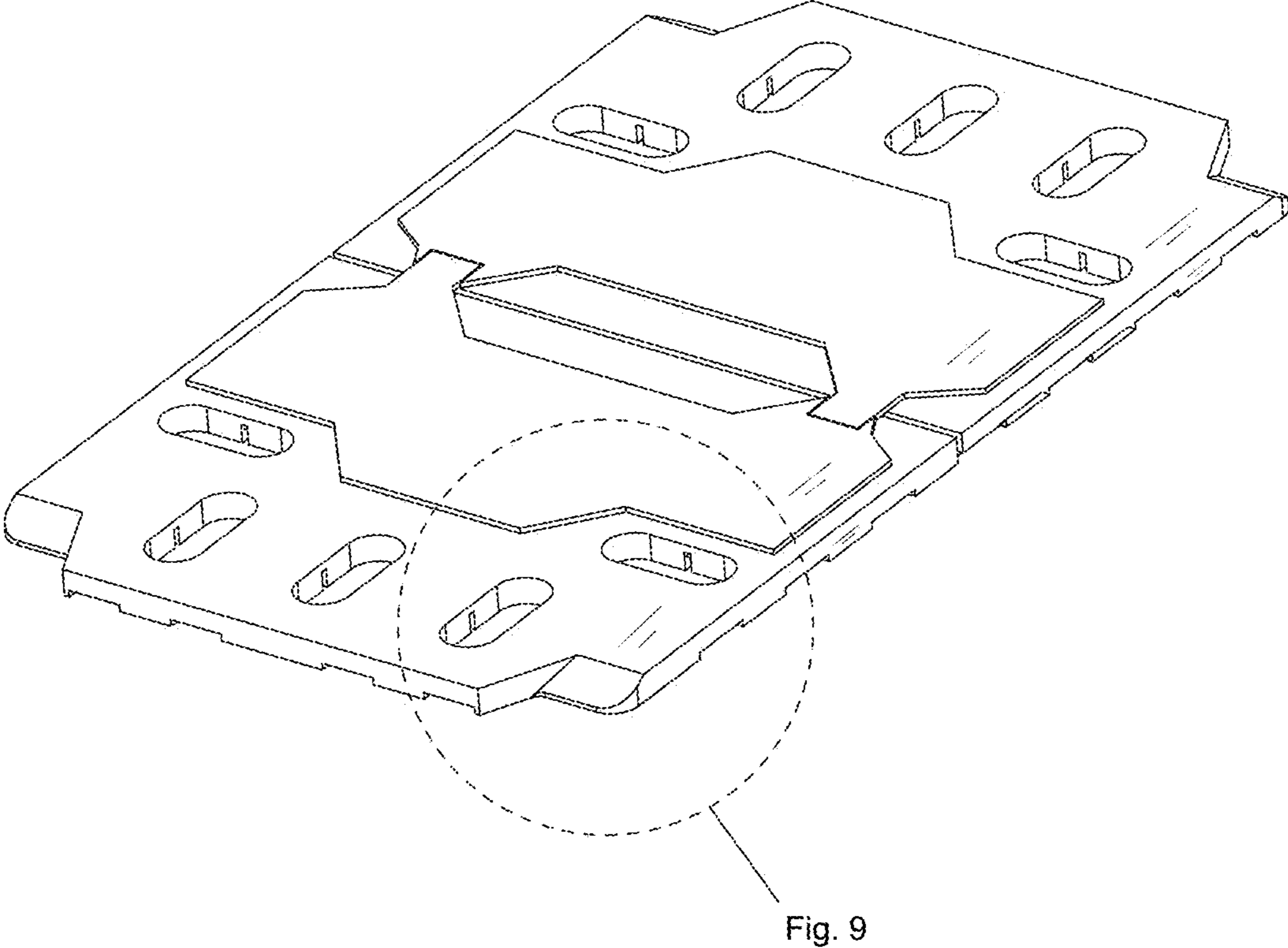


FIG. 1

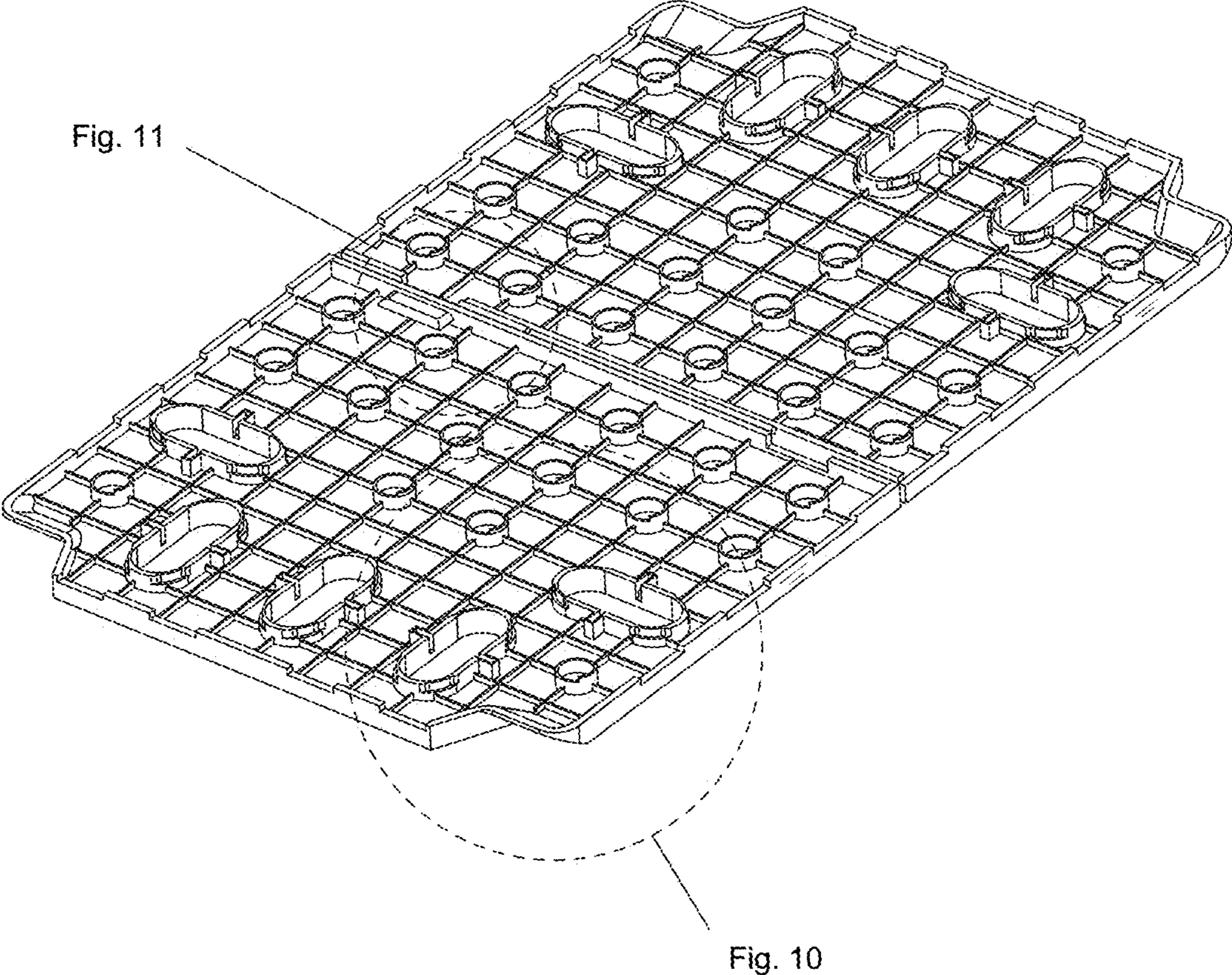


FIG. 2

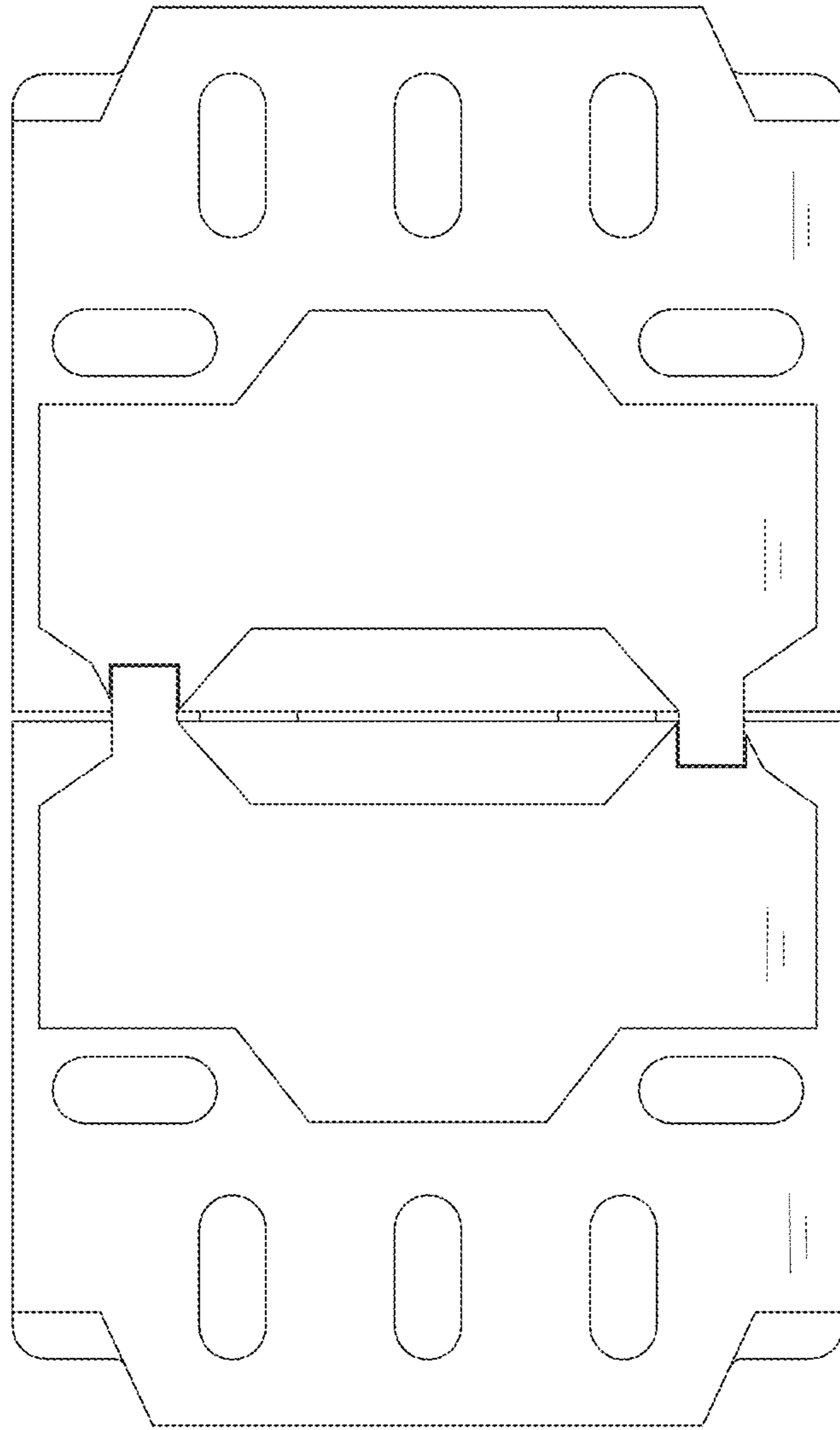


FIG. 3

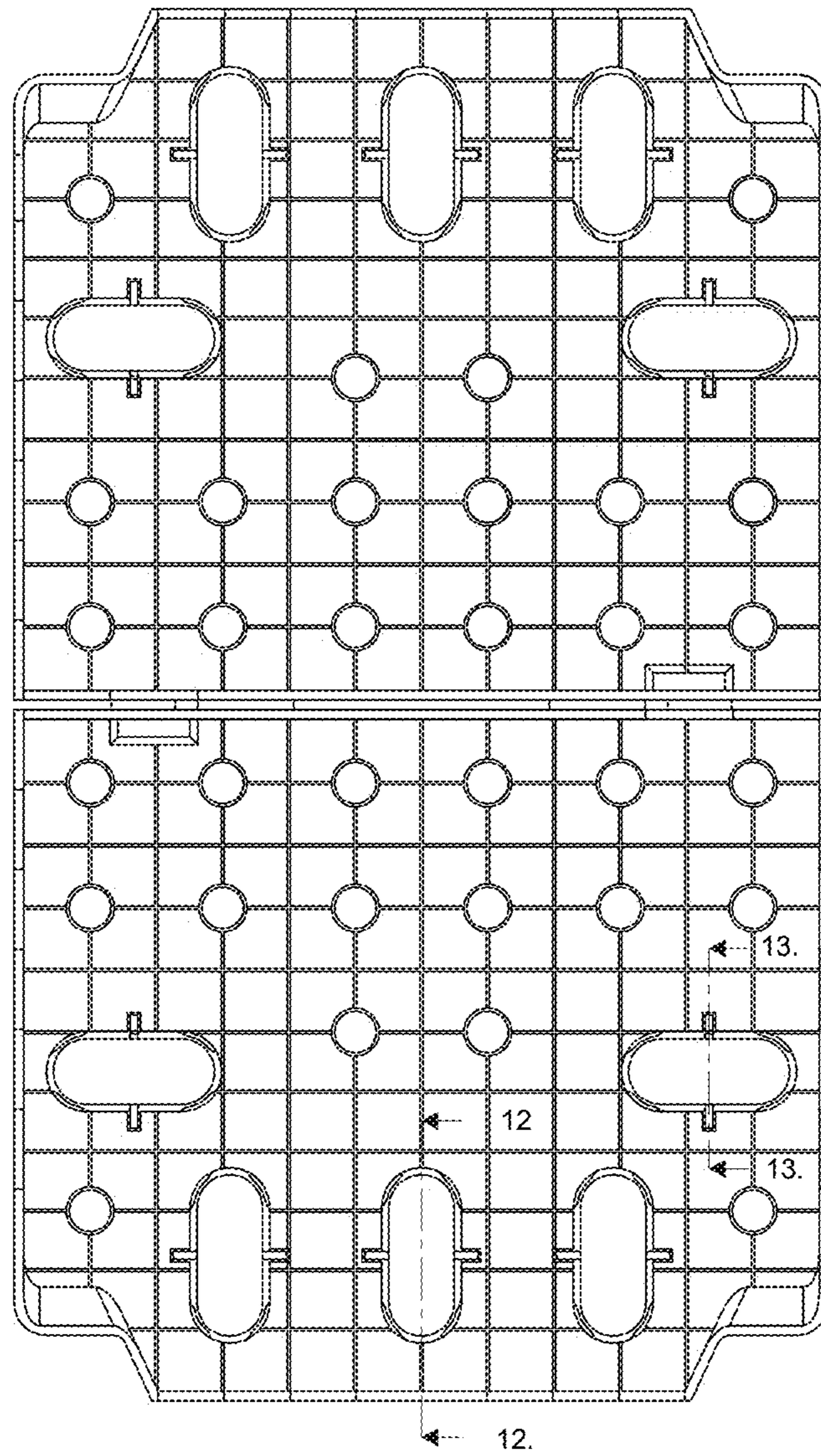


FIG. 4



FIG. 5



FIG. 6

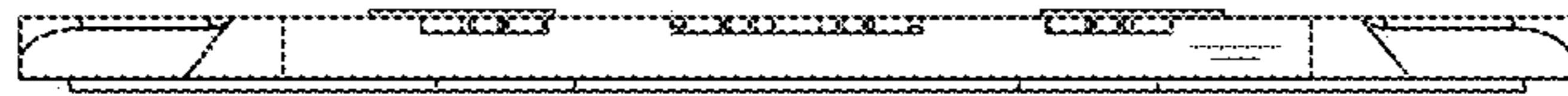


FIG. 7

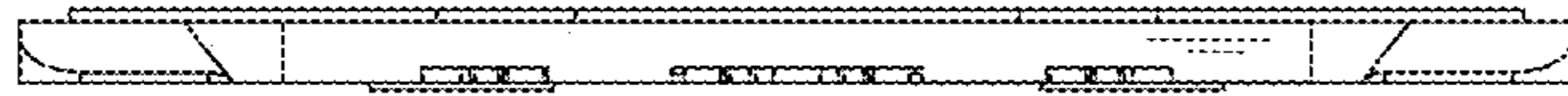


FIG. 8

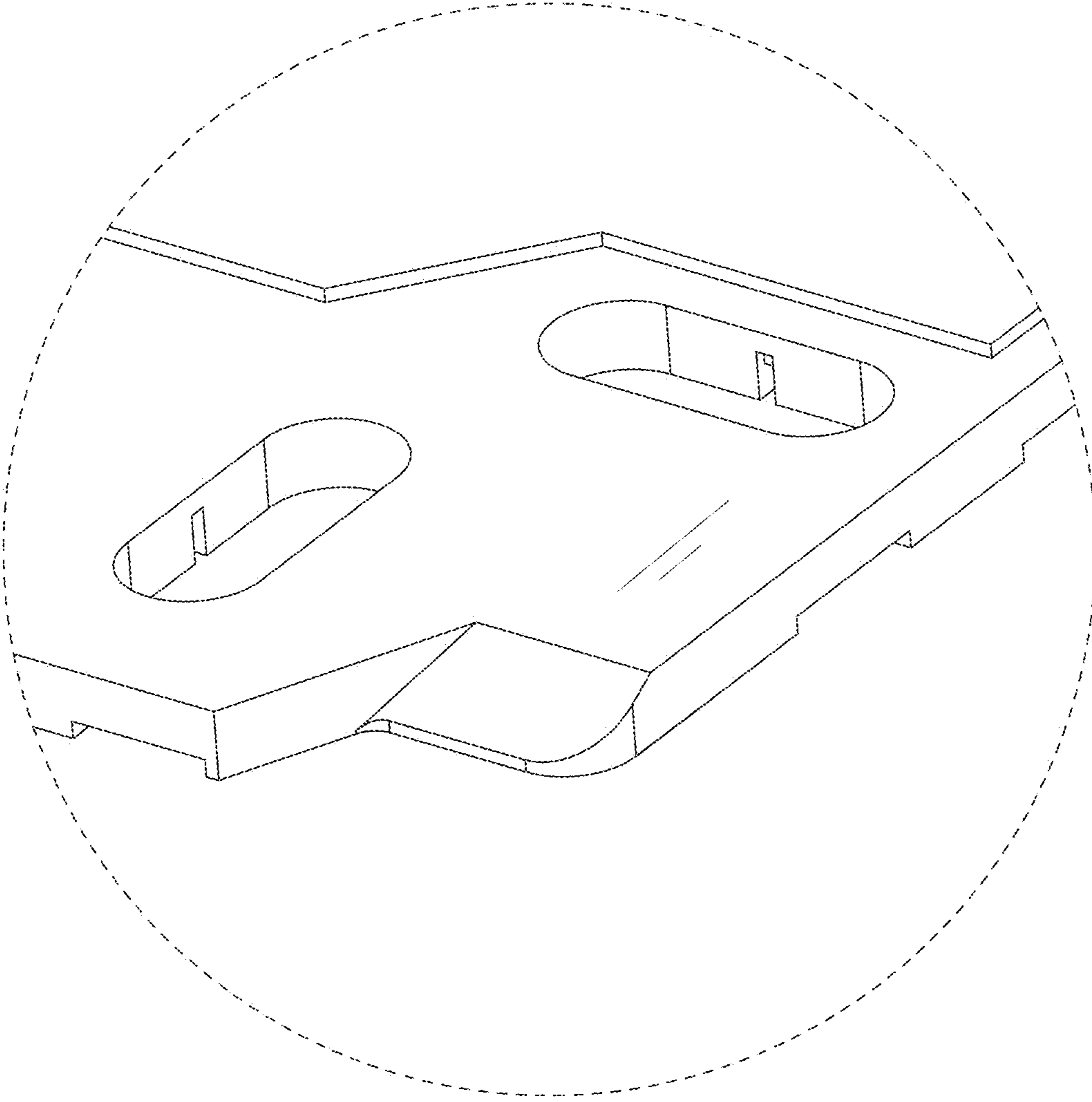


FIG. 9

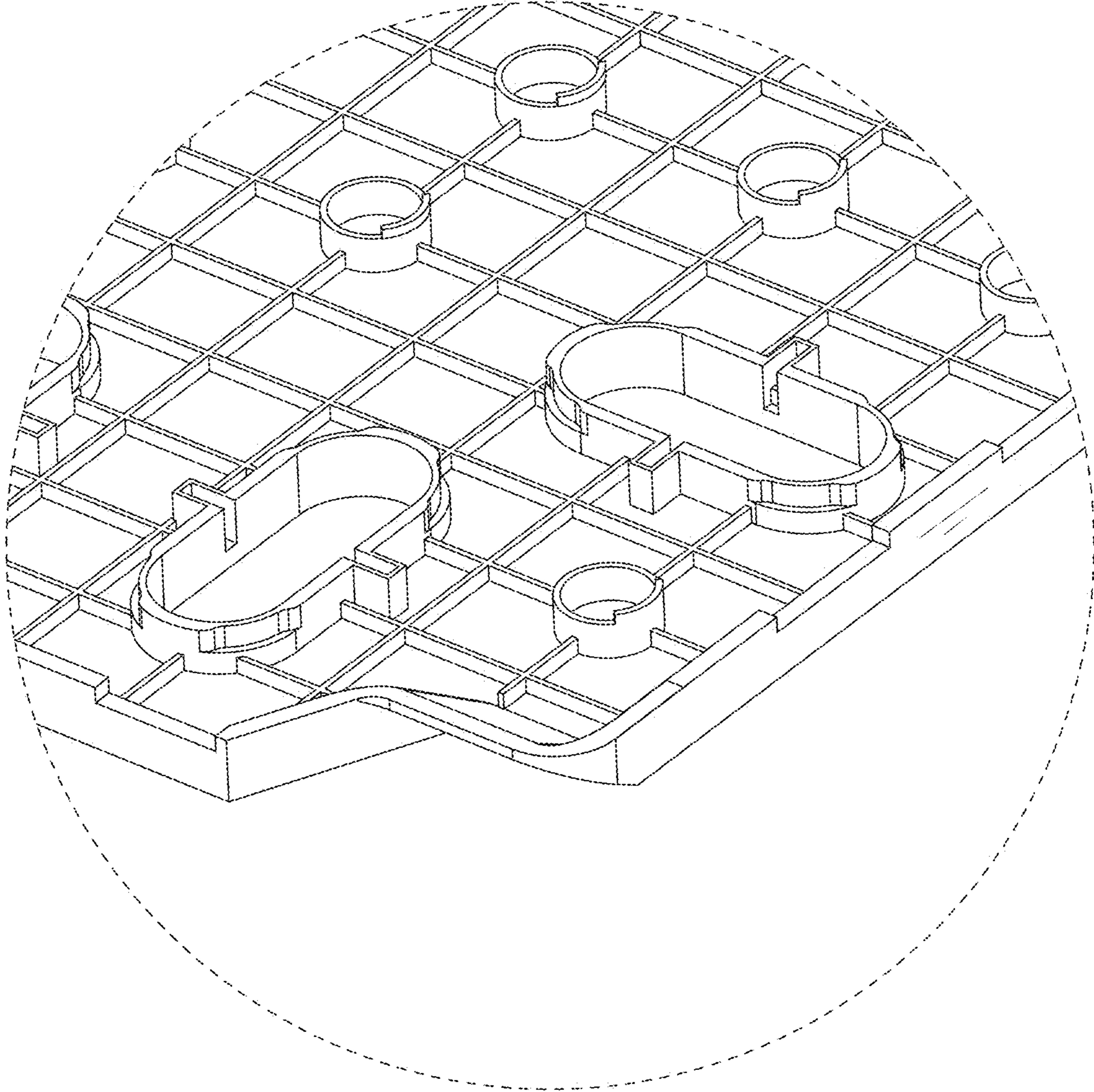


FIG. 10

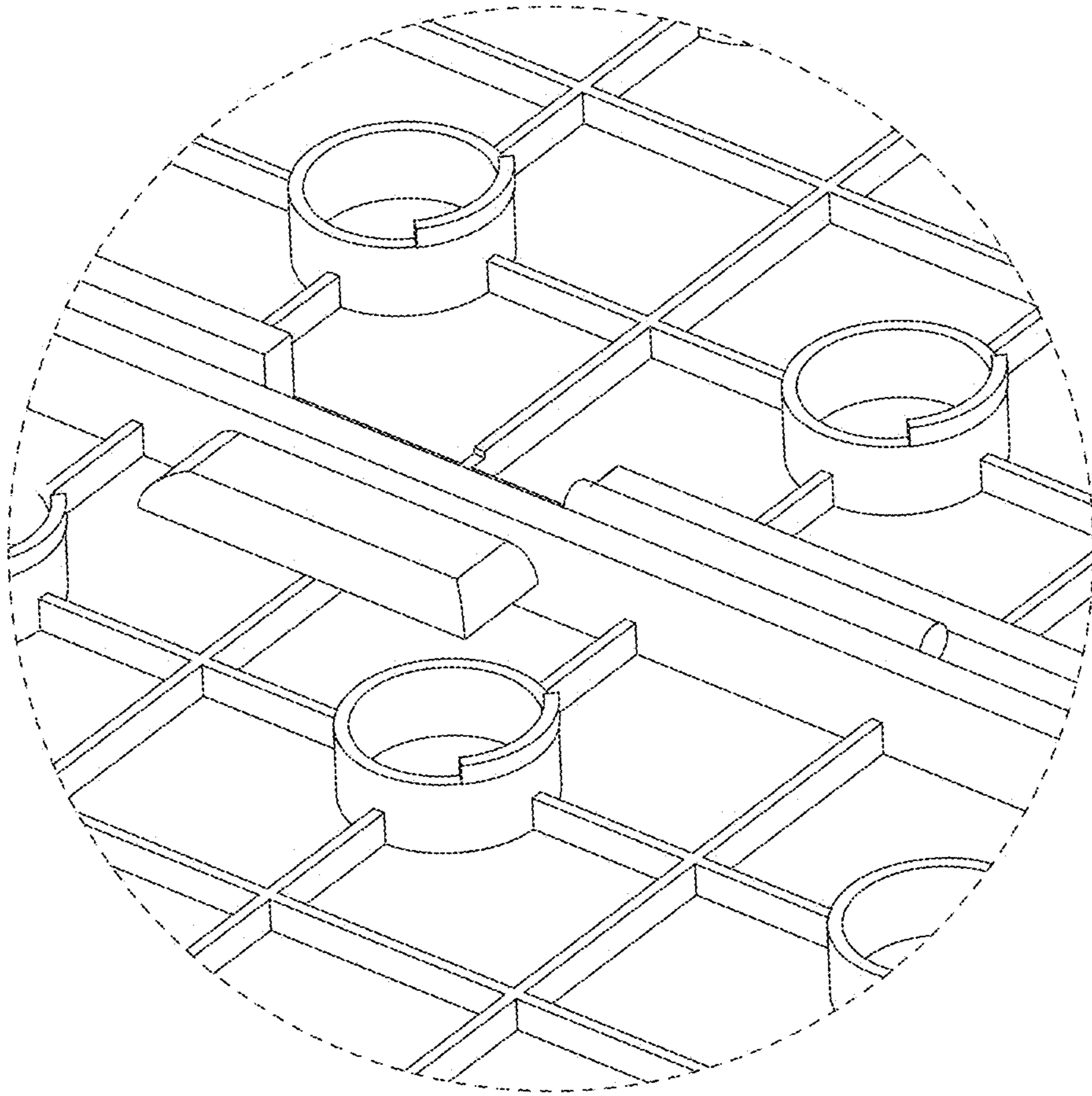


FIG. 11

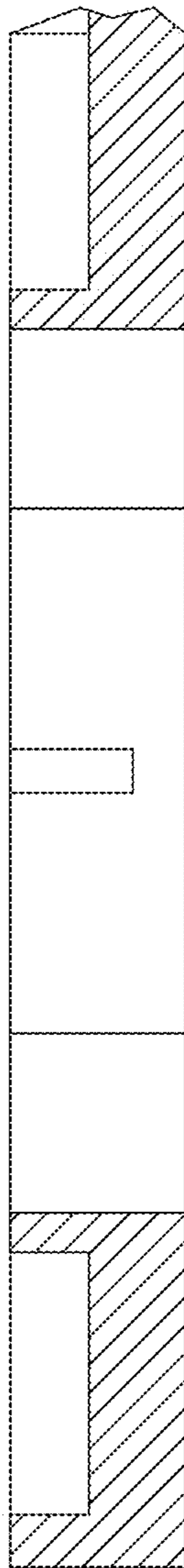


FIG. 12

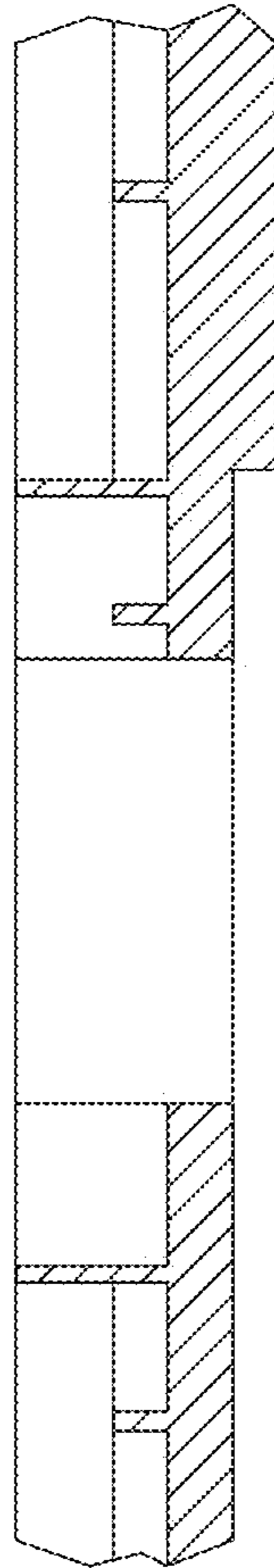


FIG. 13

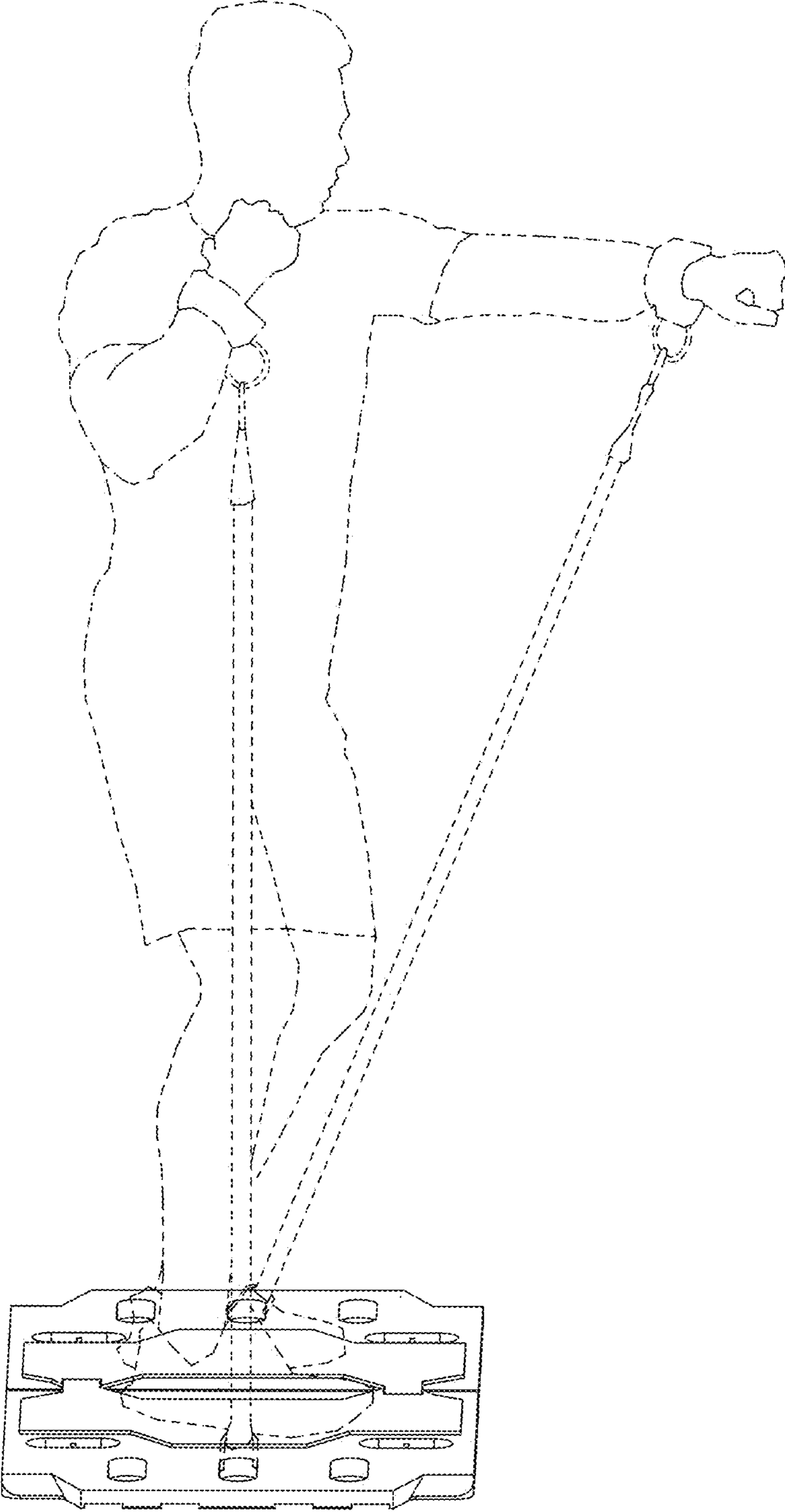


FIG. 14