



US00D897457S

(12) **United States Design Patent** (10) **Patent No.:** **US D897,457 S**
Vézina (45) **Date of Patent:** **** Sep. 29, 2020**

- (54) **FIGURINE**
- (71) Applicant: **Mattel-MEGA Holdings (US), LLC**,
El Segundo, CA (US)
- (72) Inventor: **Benoit Vézina**, Montreal (CA)
- (73) Assignee: **Mattel-MEGA Holdings (US), LLC**,
El Segundo, CA (US)
- (**) Term: **15 Years**
- (21) Appl. No.: **29/654,482**
- (22) Filed: **Jun. 25, 2018**

3,651,598 A 3/1972 Lang
 3,768,197 A 10/1973 Shimamura
 3,874,113 A 4/1975 Beck
 3,946,517 A 3/1976 Goldfarb et al.
 D239,634 S 4/1976 Knudsen et al.
 (Continued)

FOREIGN PATENT DOCUMENTS

EM 000907860-0001 * 4/2008
 EM 002610717-0004 9/2015

OTHER PUBLICATIONS

Amazon, Lego Duplo Ville 5646: Farm Nursery, posted Jan. 1, 2010, [online], [visited May 13, 2020]. Internet, <URL: https://www.amazon.co.uk/LEGO-DUPLO-Ville-5646-Nursery/dp/B002KCNUGW/ref=> (Year: 2010).*

(Continued)

Primary Examiner — Sheryl Lane
Assistant Examiner — Samantha N Wood
 (74) *Attorney, Agent, or Firm* — Plumsea Law Group, LLC

Related U.S. Application Data

- (62) Division of application No. 29/611,325, filed on Jul. 20, 2017, now Pat. No. Des. 837,311.
- (51) **LOC (12) Cl.** **21-01**
- (52) **U.S. Cl.**
USPC **D21/658**
- (58) **Field of Classification Search**
USPC D21/398, 483, 576, 578, 621–623, 625,
D21/626, 627, 628, 629, 630–636, 658,
D21/616; D15/199
CPC ... A63H 3/00; A63H 3/04; A63H 3/16; A63H
3/20; A63H 3/36; A63H 3/365; A63H
3/40; A63H 3/50; A63H 11/00; A63H
11/02; A63H 11/14
See application file for complete search history.

(57) **CLAIM**

The ornamental design for a figurine, as shown and described.

DESCRIPTION

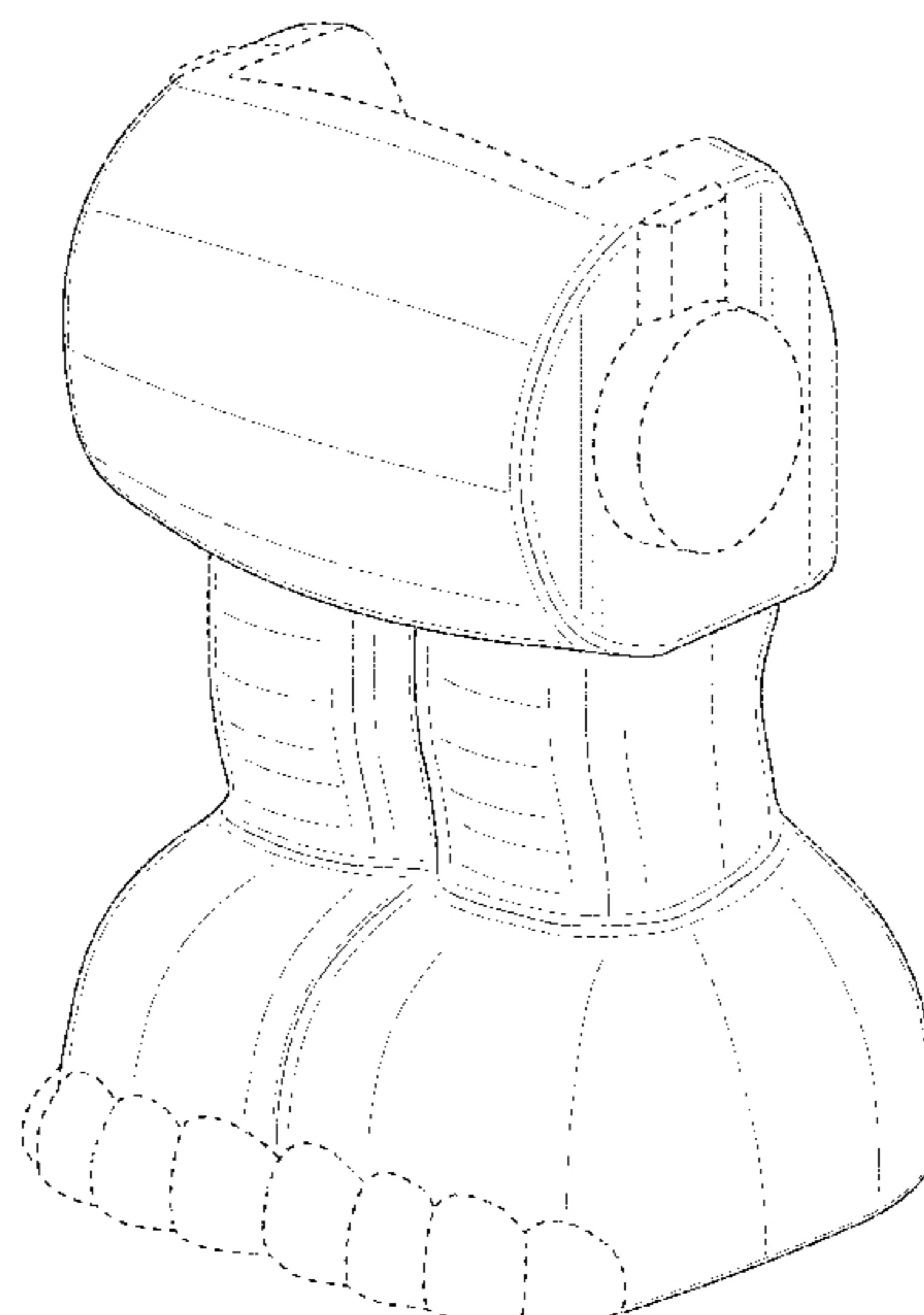
FIG. 1 is a top isometric perspective view of a figurine showing the new design;
 FIG. 2 is a front elevational view thereof;
 FIG. 3 is a rear elevational view thereof;
 FIG. 4 is a side elevational view thereof;
 FIG. 5 is an opposite side elevational view thereof;
 FIG. 6 is a top plan view thereof; and
 FIG. 7 is a bottom plan view thereof.
 The broken lines and unshaded areas are included to illustrate parts of the article's appearance that form no part of the claimed design.

(56) **References Cited**

U.S. PATENT DOCUMENTS

1,282,004 A 10/1918 Shearer
 1,297,089 A 3/1919 Caccialanza
 D71,094 S 9/1926 Willmott
 D137,551 S 6/1944 Baker
 D163,527 S * 6/1951 Lewadowski D23/215
 2,752,726 A 7/1956 Calverley
 3,225,489 A 12/1965 Ryan
 3,236,004 A 2/1966 Christiansen

1 Claim, 7 Drawing Sheets



(56)

References Cited

U.S. PATENT DOCUMENTS

D239,846 S 5/1976 Knudsen et al.
 3,962,819 A 6/1976 Christiansen
 3,995,395 A 12/1976 Rahmstorf
 D246,199 S 10/1977 Ogawa
 D246,201 S 10/1977 Ogawa
 4,063,381 A 12/1977 Deulofeu
 D247,054 S 1/1978 Rahmstorf
 D248,115 S 6/1978 Tapdrup
 D248,172 S 6/1978 Tapdrup
 D248,173 S 6/1978 Tapdrup
 D248,174 S 6/1978 Tapdrup
 D248,175 S 6/1978 Tapdrup
 D248,176 S 6/1978 Tapdrup
 D248,177 S 6/1978 Tapdrup
 D248,178 S 6/1978 Tapdrup
 D248,582 S 7/1978 Tapdrup
 4,136,481 A 1/1979 Nicholls
 4,141,176 A 2/1979 Flicker et al.
 D251,261 S 3/1979 Tapdrup
 D253,711 S 12/1979 Christiansen et al.
 4,185,412 A 1/1980 Rahmstorf
 D254,264 S 2/1980 Melotti
 4,190,982 A 3/1980 Rahmstorf
 D255,475 S 6/1980 Boot
 4,205,482 A 6/1980 Christiansen et al.
 D255,813 S 7/1980 Pape et al.
 D259,647 S * 6/1981 Takahashi D21/593
 D260,665 S 9/1981 Yamashina
 4,399,632 A 8/1983 Iseki
 D278,645 S 4/1985 Nielsen
 4,512,749 A 4/1985 Deulofeu
 D278,735 S 5/1985 Nielsen
 D279,494 S 7/1985 Nielsen
 D282,944 S 3/1986 Nielsen
 D283,149 S 3/1986 Nielsen
 D283,150 S 3/1986 Jensen
 D283,906 S 5/1986 Nielsen
 D284,091 S 6/1986 Amau
 4,643,691 A 2/1987 Keiji
 D291,585 S 8/1987 Bertrand
 D292,723 S * 11/1987 Zacherle D21/630
 D292,812 S 11/1987 Zacherle
 D301,499 S 6/1989 Tapdrup
 D301,500 S 6/1989 Tapdrup
 4,950,912 A 8/1990 Goldfarb et al.
 4,993,988 A 2/1991 Chamberlain
 D317,796 S 6/1991 Laursen
 D325,605 S 4/1992 Holmstrom
 D329,069 S 9/1992 Holmstrom
 D329,070 S 9/1992 Holmstrom
 D329,884 S 9/1992 Holmstrom
 D332,117 S 12/1992 Holmstrom
 5,209,694 A 5/1993 Utt, Jr.
 5,328,400 A 7/1994 Bass
 D352,078 S 11/1994 Bertrand
 D353,417 S 12/1994 Ryaa et al.
 D353,418 S 12/1994 Ryaa et al.
 D353,856 S 12/1994 Ryaa et al.
 D354,533 S 1/1995 Ryaa et al.
 D366,076 S 1/1996 Pedersen
 D366,678 S * 1/1996 Cimock D21/483
 D373,155 S * 8/1996 Cimock D21/483
 D374,466 S * 10/1996 Guegan D21/532
 5,628,669 A 5/1997 Hesse
 D393,670 S 4/1998 Glickman et al.
 D404,441 S 1/1999 Tong
 D420,064 S 2/2000 Poirier et al.
 D420,066 S 2/2000 Nielsen
 D453,361 S 2/2002 Tsai
 6,439,952 B1 8/2002 Yamamura
 D472,283 S 3/2003 Akashi
 6,575,810 B1 6/2003 Sohn
 D481,083 S 10/2003 Bresciani et al.
 6,692,332 B2 2/2004 Jheow
 D494,642 S 8/2004 Bresciani et al.

D494,643 S 8/2004 Bresciani et al.
 D495,764 S 9/2004 Bresciani et al.
 6,817,921 B2 11/2004 Chin et al.
 D504,708 S 5/2005 Wang
 7,021,989 B2 4/2006 Wai
 D531,084 S 10/2006 McGowen et al.
 D531,234 S 10/2006 Kitamura
 D531,541 S 11/2006 McGowen et al.
 D531,542 S 11/2006 McGowen et al.
 D534,457 S 1/2007 Newbould et al.
 D536,051 S 1/2007 Hernandez, Jr.
 D539,364 S 3/2007 Sofussen
 D556,840 S 12/2007 Wilk et al.
 D594,870 S 6/2009 Leung
 7,553,209 B1 6/2009 Sorensen
 7,566,256 B2 7/2009 Wai
 D611,108 S 3/2010 Bodin
 D621,886 S 8/2010 Lee
 D631,786 S 2/2011 Palmer
 D639,353 S 6/2011 Stibolt
 8,210,891 B2 7/2012 Brumagin et al.
 D672,410 S 12/2012 Dubreuil et al.
 D672,411 S 12/2012 Dubreuil et al.
 D672,412 S 12/2012 Dubreuil et al.
 D672,413 S 12/2012 Dubreuil et al.
 D676,505 S 2/2013 Mimplitch, III et al.
 D676,507 S * 2/2013 Mimplitch, III D21/578
 D677,744 S 3/2013 Yu
 D688,332 S 8/2013 Stosiak et al.
 9,022,832 B1 * 5/2015 Skripps A63H 3/48
 446/330
 D740,683 S 10/2015 Kassouni
 D746,171 S 12/2015 Lau et al.
 D753,241 S 4/2016 Jaensch
 D753,243 S 4/2016 Jaensch
 D760,328 S 6/2016 Croston et al.
 D760,330 S 6/2016 Croston et al.
 D762,787 S 8/2016 Barbiani et al.
 2007/0087651 A1 4/2007 Ali
 2015/0238880 A1 * 8/2015 Austin A63H 33/003
 446/376
 2017/0128847 A1 * 5/2017 Hacking A63H 3/16

OTHER PUBLICATIONS

“Mega Bloks Rescue Squad, First Builders,” Mega Bloks item #6623, <URL: <https://web.archive.org/web/20130831045609/http://www.megabloks.com/en-us/shop/construction-toys/first-builders/rescue-squad-6623>>, 3 pages, published Aug. 31, 2013.
 “Mega Bloks Block Buddies, First Builders,” Mega Bloks item #81215, <URL: <https://web.archive.org/web/20140808082347/http://www.megabloks.com/en-us/shop/construction-toys/first-builders/block-buddies-81215>>, 2 pages, published Aug. 8, 2014.
 “Mega Bloks Collection: Dora the Explorer,” <URL: <https://web.archive.org/web/20141019205539/http://www.megabloks.com/en-ca/shop/construction-toys/dora-the-explorer>>, 3 pages, published Oct. 19, 2014.
 “Duplo Figure Bust Short with Striped Dungarees and Black Male Hair,” Lego Part 2327cx1, first produced 1994 according to: <URL: <http://www.peeron.com/inv/parts/2327cx1>>, 2 pages.
 “Duplo Figure Bust Short with Suspenders, Yellow Freckle Nose, and Red Male Hair,” Lego Part 2327cx3, first produced 1992 according to: <URL: <http://www.peeron.com/inv/parts/2327cx3>>, 2 pages.
 “Duplo Figure Bust Tall with Freckle Nose and Brown Ragged Male Hair,” Lego Part x829cx12, first produced 1984 according to: <URL: <http://www.peeron.com/inv/parts/x829cx12>>, 3 pages.
 “Duplo Figure Bust Tall with Male Face (Thick Eyebrows) and Yellow Derby Hat,” Lego Part x829cx23, first produced 1980 according to: <URL: <http://www.peeron.com/inv/parts/x829cx23>>, 3 pages.
 “Mega Bloks Block Buddies My Pony Stable Instructions,” 2004, 6 pages.
 Mega Bloks First Builders School Bus Building Set (via Amazon), available Feb. 1, 2017, [online], [site visited Feb. 1, 2017]. Avail-

(56)

References Cited

OTHER PUBLICATIONS

able from internet, <URL: https://www.amazon.com/Mega-Bloks-Builders-School-Building/dp/B01CW6EL72/ref=pd_sim_21_3?_encoding=UTF8&pd_rd_i=B01CW6EL72&pd_rd_r=Q3W4BME1AB6XPVDJ7HJX&pd_rd_w=EIOMK&pd_rd_wg=urqUF&psc=1&refRID=Q3>.

Mega Bloks Pink Convertible Building Set (via Amazon), available Jan. 4, 2017, [online], [site visited Feb. 1, 2017]. Available from internet, <URL: https://www.amazon.com/Mega-Bloks-Pink-Convertible-Building/dp/B01CW6EL0E/ref=cm_cr_ar_p_d_pdt_img_top?ie=UTF8>.

Mega Bloks Dylan Dump Truck (via Amazon), available Jan. 17, 2013, [online], [site visited Feb. 1, 2017]. Available from Internet, <URL: https://www.amazon.com/Mega-Bloks-Dylan-Dump-Truck/dp/B006LEZ9EQ/ref=sr_1_1?s=toys-and-games&ie=UTF8&qid=1486358821&sr=1-1&keywords=dylan+dump+truck>.

Office Action dated Jun. 29, 2018 in Design U.S. Appl. No. 29/611,345.

Amazon, Lego Duplo Man, available Oct. 8, 2010, [online], [site visited May 17, 2018]. Available from Internet, <URL: <https://www.amazon.co.uk/Lego-Duplo-Baseball-Green-Shirt/dp/B0045RKIOW/>

[ref=sr_1_33?ie=UTF8&qid=1526578105&sr=8-33&keywords=legoville+duplo+figure](https://www.amazon.co.uk/Lego-Duplo-Overall-Green-Bassball/dp/B0045RLODQ/ref=sr_1_33?ie=UTF8&qid=1526578105&sr=8-33&keywords=legoville+duplo+figure)> (Year: 2010).

CPSC.gov, Fisher-Price Recalls Little People Play 'n Go Campsite Due to Choking Hazard, issued Aug. 5, 2010, [online], [site visited Jun. 21, 2018]. Available from Internet, <URL: <https://www.cpsc.gov/Recalls/2010/fisher-price-recalls-little-people-play-n-go-campsite-due-to-choking-hazard>> (Year: 2010).

Coroflot, Yo Gabba Gabba Construction Playset, posted Sep. 14, 2009, [online], [site visited May 17, 2018]. Available from Internet, <URL: <http://www.coroflot.com/stephanielemoine/Yo-Gabba-Gabba-Construction-Playsets>> (Year: 2009).

Toys, Transformers Afterburner, released 1987, [online], [site visited May 17, 2018]. Available from Internet, <URL: <http://toys.tfw2005.com/afterburner-5-4>> (Year 1987).

Amazon, Lego Duplo Boy, available Oct. 8, 2010, [online], [site visited May 17, 2018]. Available from Internet, <URL: https://www.amazon.co.uk/Lego-Duplo-Overall-Green-Bassball/dp/B0045RLODQ/ref=sr_1_33?ie=UTF8&qid=1526578105&sr=8-33&keywords=legoville+duplo+figure> (Year: 2010).

Amendment dated Sep. 24, 2018 in Design U.S. Appl. No. 29/611,345. Design U.S. Appl. No. 29/654,464, filed Jun. 25, 2018.

* cited by examiner

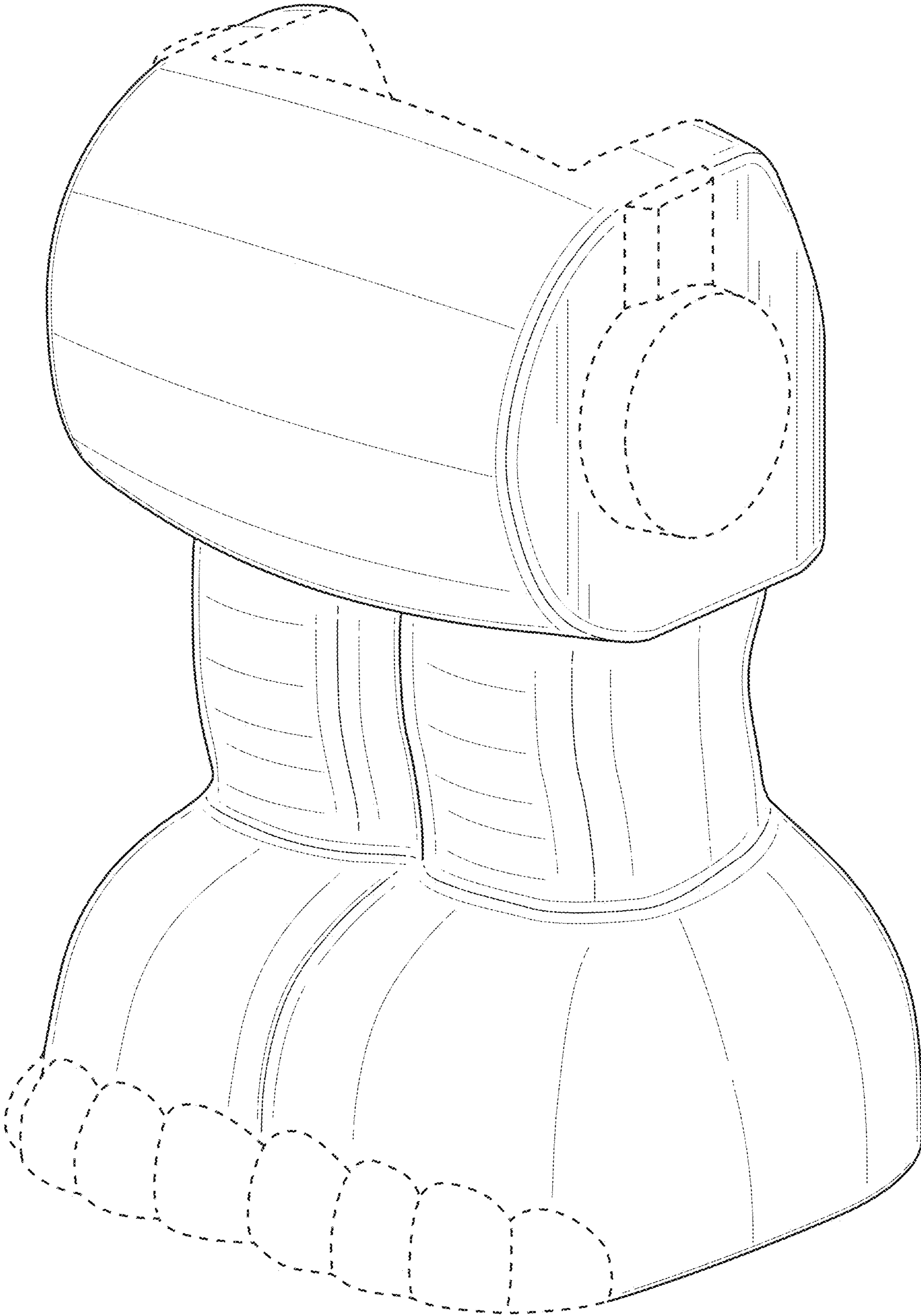


FIG. 1

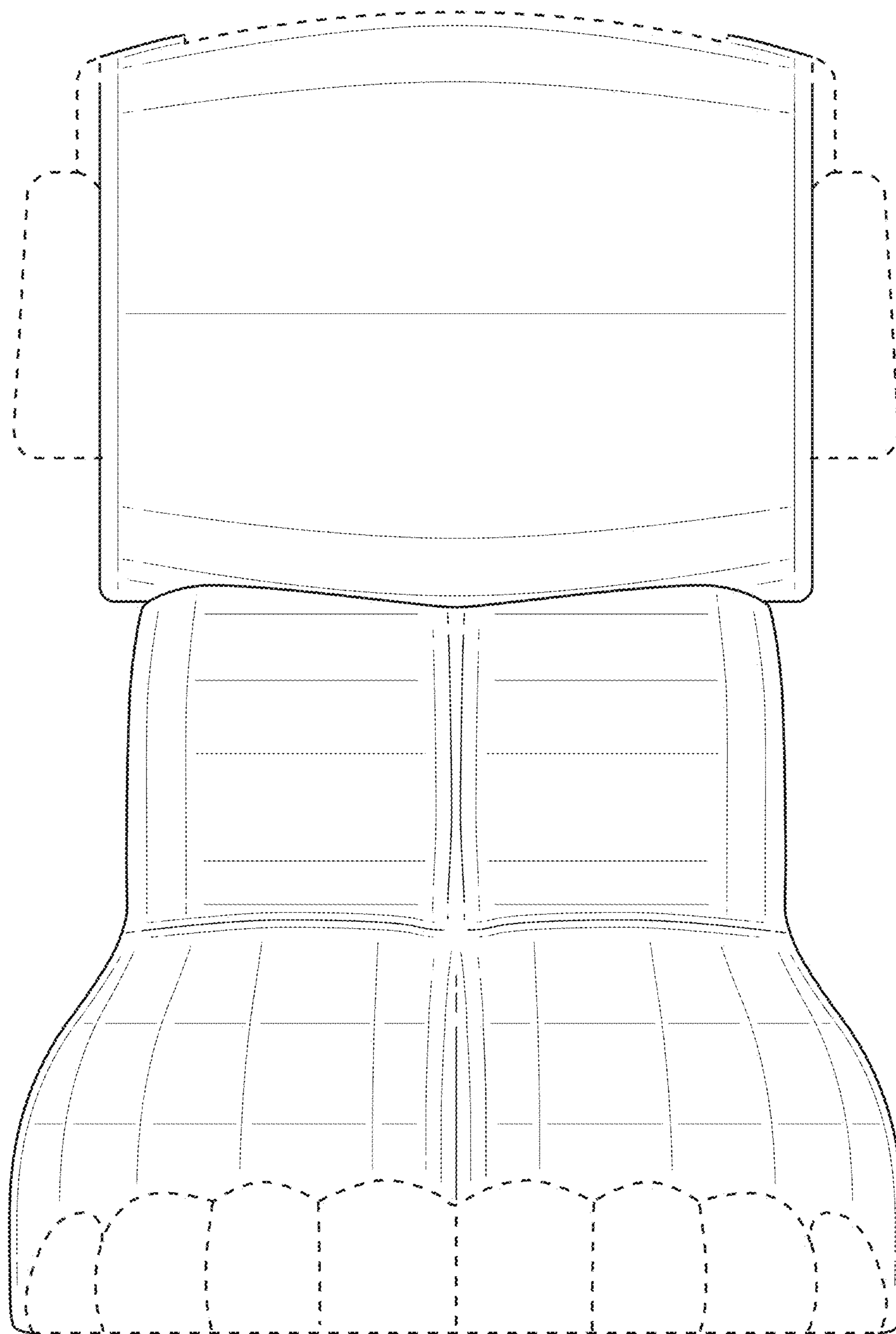


FIG. 2

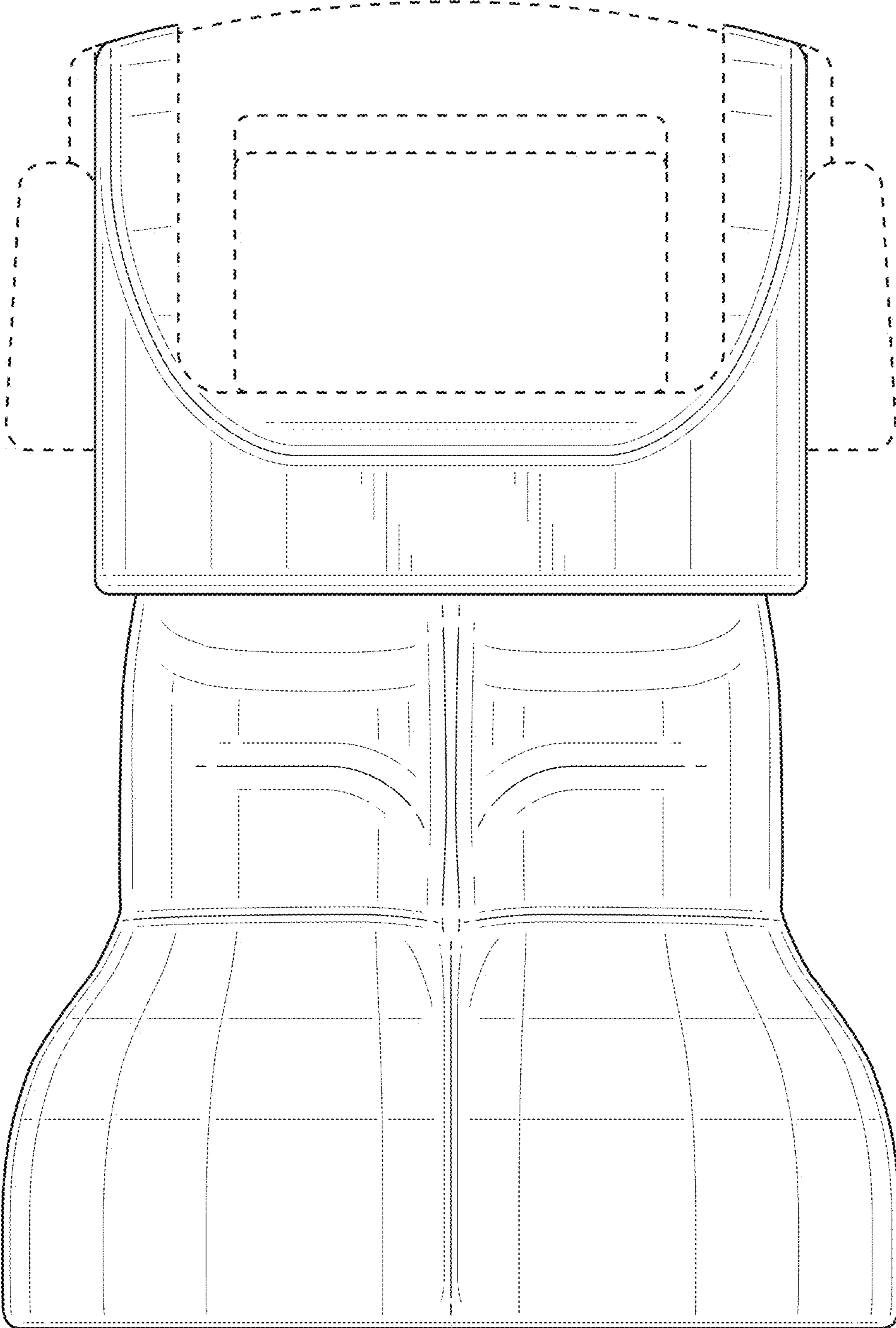


FIG. 3

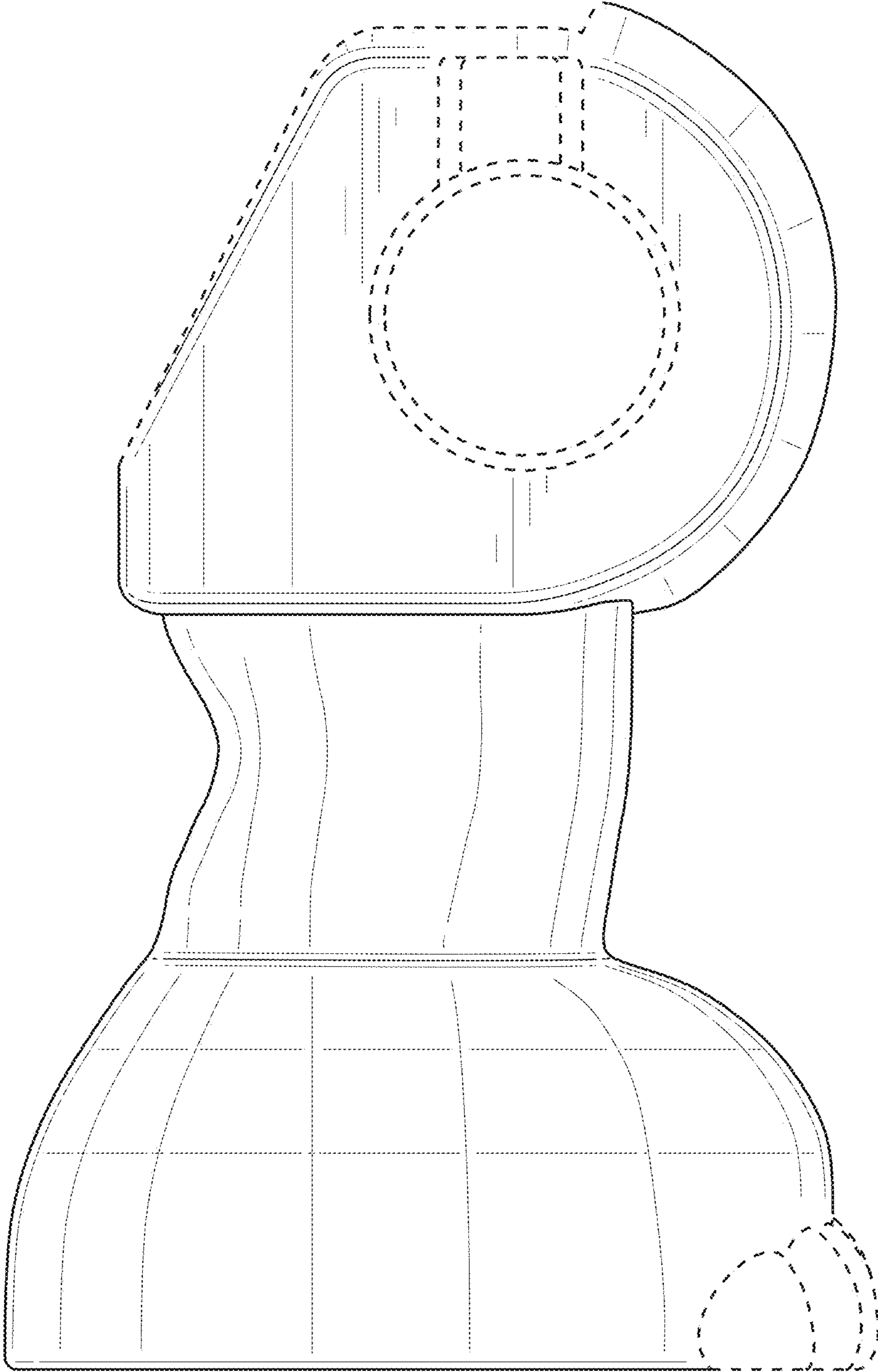


FIG. 4

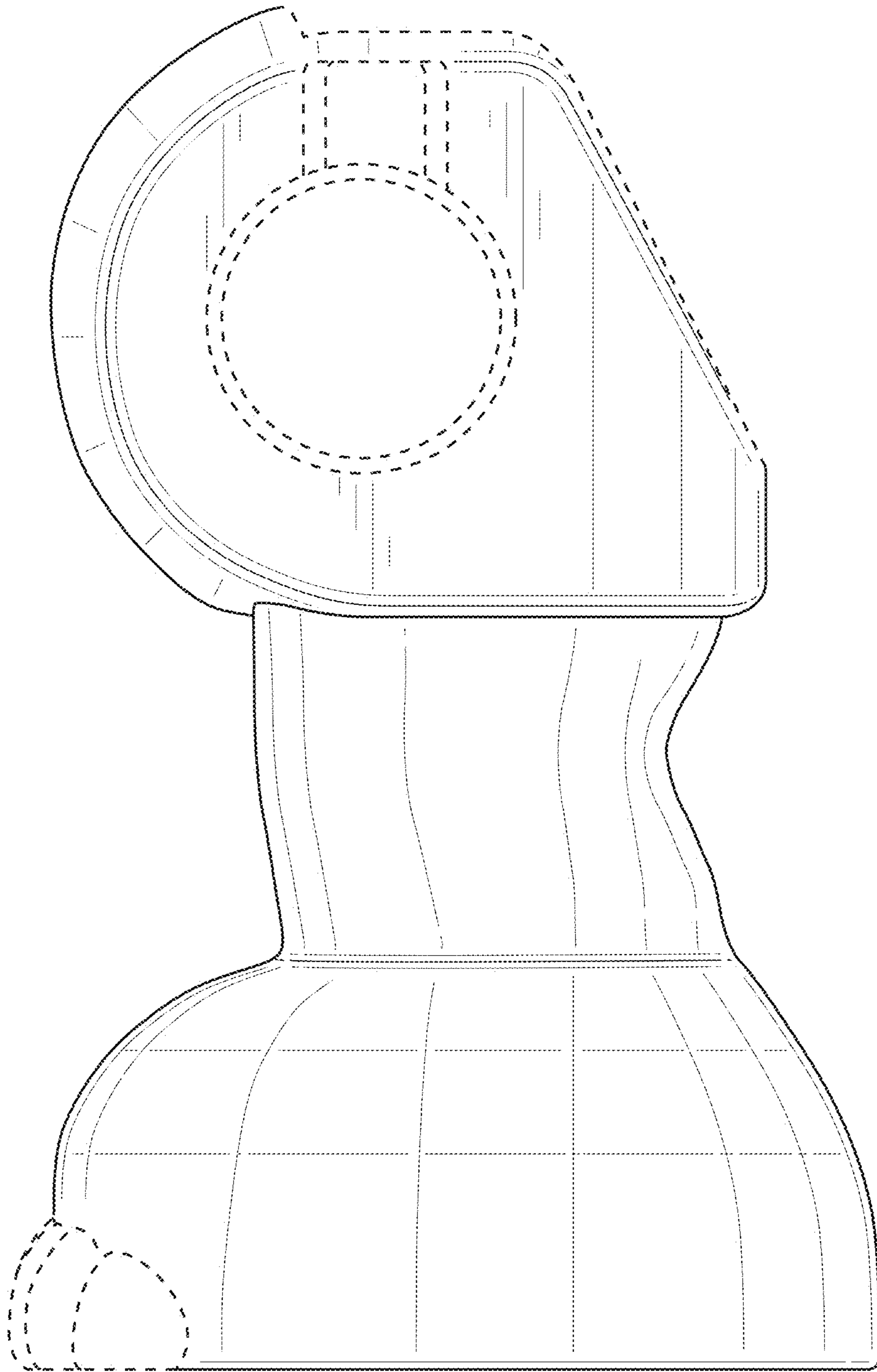


FIG. 5

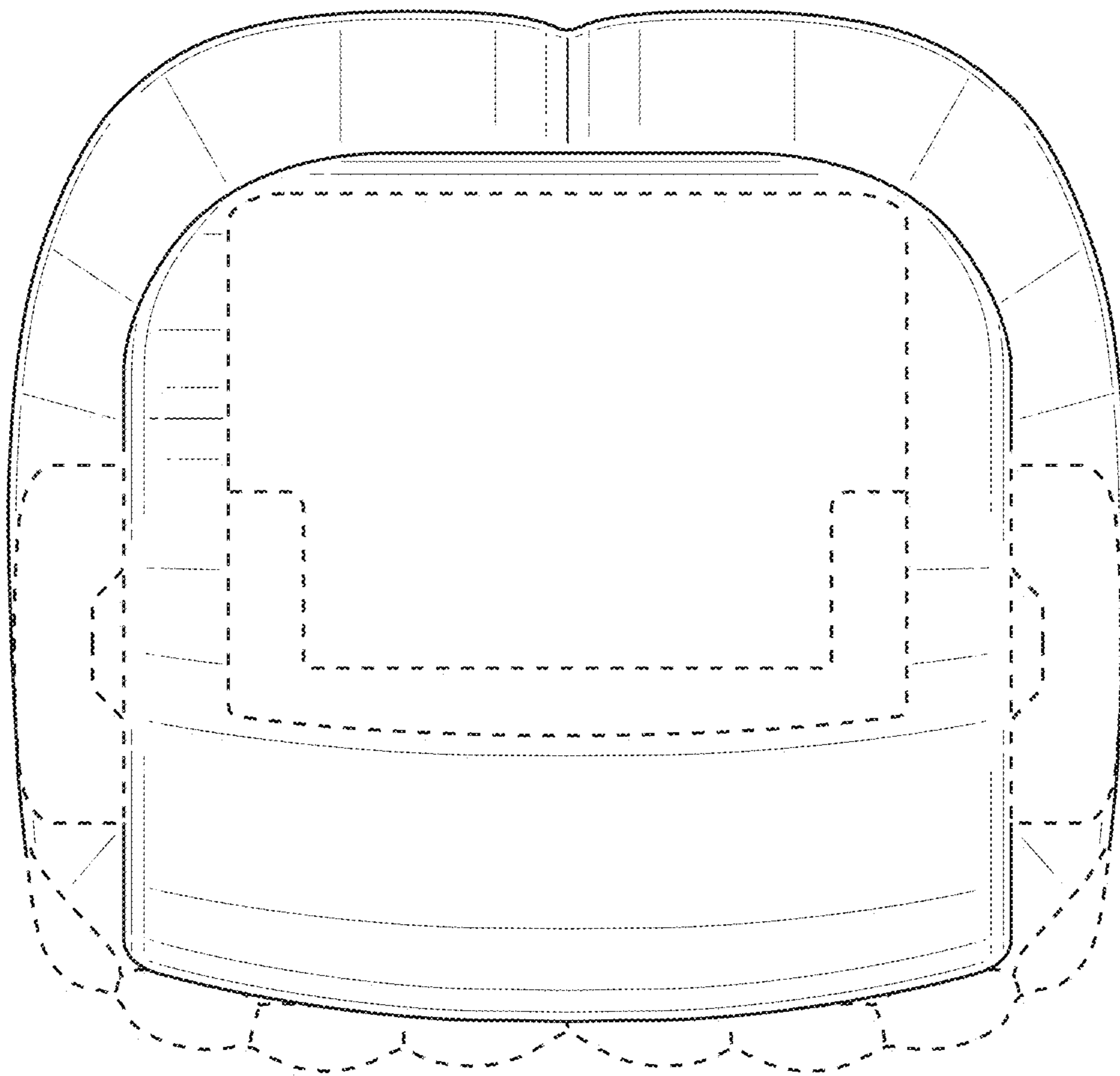


FIG. 6

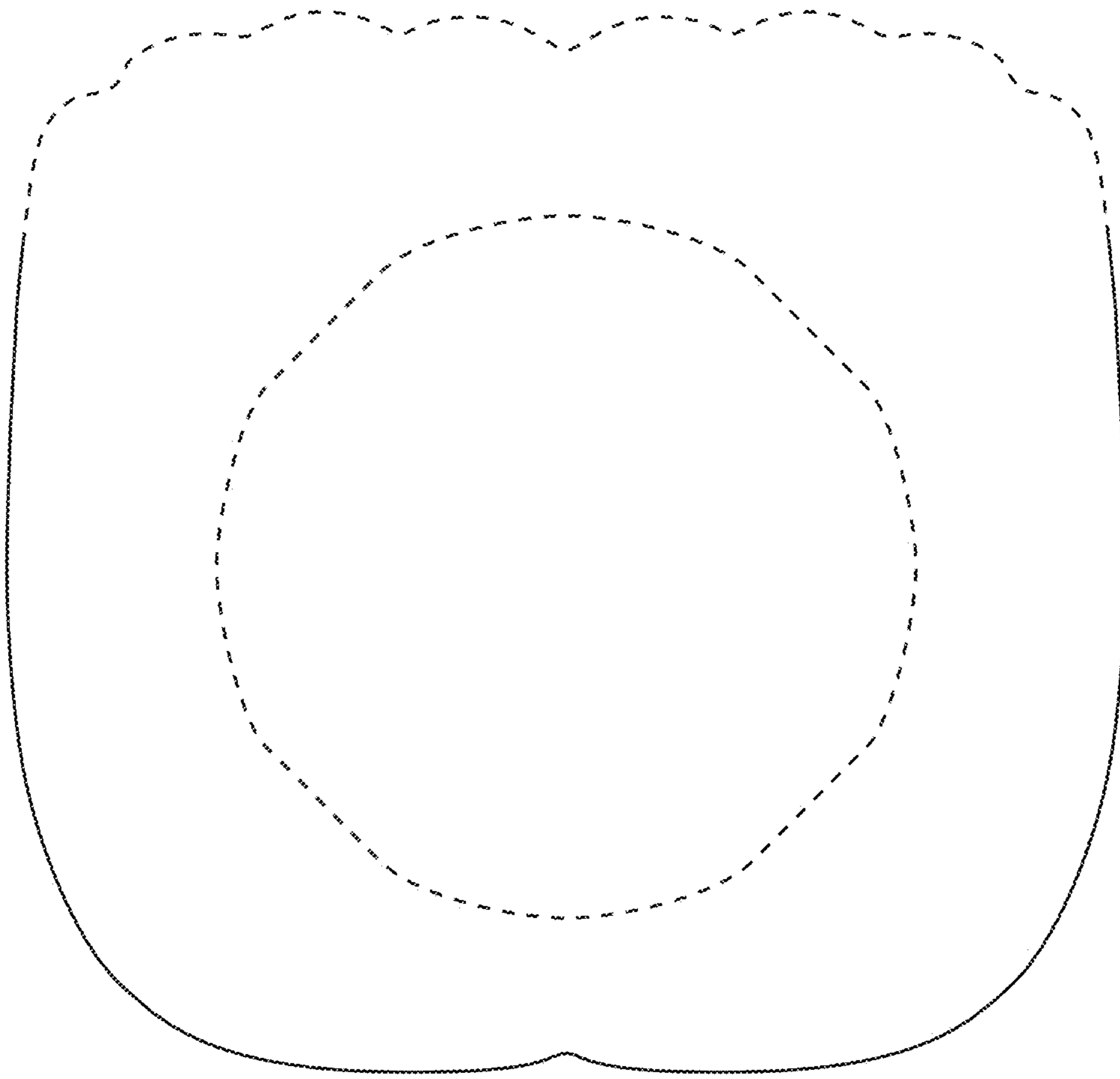


FIG. 7