



US00D897456S

(12) **United States Design Patent** (10) **Patent No.:** **US D897,456 S**
Vézina (45) **Date of Patent:** **** Sep. 29, 2020**

- (54) **FIGURINE**
- (71) Applicant: **Mattel-MEGA Holdings (US), LLC**,
El Segundo, CA (US)
- (72) Inventor: **Benoit Vézina**, Montreal (CA)
- (73) Assignee: **Mattel-MEGA Holdings (US), LLC**,
El Segundo, CA (US)
- (**) Term: **15 Years**
- (21) Appl. No.: **29/654,464**
- (22) Filed: **Jun. 25, 2018**

3,768,197 A 10/1973 Shimamura
 3,874,113 A 4/1975 Beck
 3,946,517 A 3/1976 Goldfarb et al.
 D239,634 S 4/1976 Knudsen et al.
 D239,846 S 5/1976 Knudsen et al.
 (Continued)

FOREIGN PATENT DOCUMENTS

EM 000907860-0001 * 4/2008
 EM 002610717-0004 9/2015

OTHER PUBLICATIONS

Amazon, Lego Duplo Ville 5646: Farm Nursery, posted Jan. 1, 2010, [online], [visited May 13, 2020]. Internet, <URL: https://www.amazon.co.uk/LEGO-DUPL0-Ville-5646-Nursery/dp/B002KCNUGW/ref=> (Year: 2010).*

(Continued)

Primary Examiner — Sheryl Lane
Assistant Examiner — Samantha N Wood
 (74) *Attorney, Agent, or Firm* — Plumsea Law Group, LLC

Related U.S. Application Data

- (62) Division of application No. 29/611,325, filed on Jul. 20, 2017, now Pat. No. Des. 837,311.
- (51) **LOC (12) Cl.** **21-01**
- (52) **U.S. Cl.**
USPC **D21/658**
- (58) **Field of Classification Search**
USPC D21/398, 483, 576, 578, 621–623, 625,
D21/626, 627, 628, 629, 630–636, 658;
D15/199
CPC ... A63H 3/00; A63H 3/04; A63H 3/16; A63H
3/20; A63H 3/36; A63H 3/365; A63H
3/40; A63H 3/50; A63H 11/00; A63H
11/02; A63H 11/14
See application file for complete search history.

(57) **CLAIM**

The ornamental design for a figurine, as shown and described.

DESCRIPTION

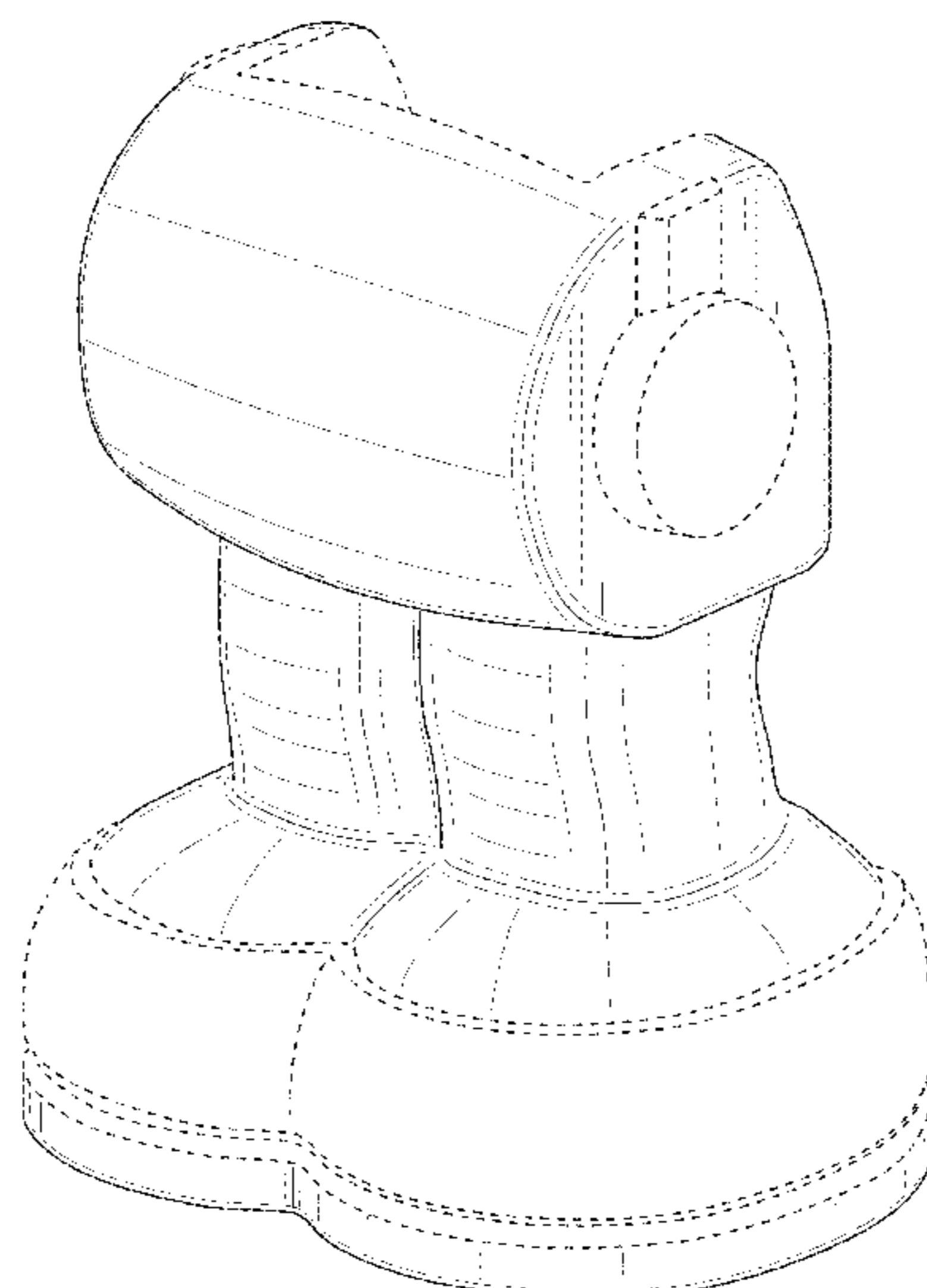
FIG. 1 is a top isometric perspective view of a figurine showing the new design;
 FIG. 2 is a front elevational view thereof;
 FIG. 3 is a rear elevational view thereof;
 FIG. 4 is a side elevational view thereof;
 FIG. 5 is an opposite side elevational view thereof;
 FIG. 6 is a top plan view thereof; and,
 FIG. 7 is a bottom plan view thereof.
 The broken lines and unshaded areas are included to illustrate parts of the article's appearance that form no part of the claimed design.

References Cited

U.S. PATENT DOCUMENTS

- 1,282,004 A 10/1918 Shearer
- 1,297,089 A 3/1919 Caccialanza
- D71,094 S 9/1926 Willmott
- D137,551 S 6/1944 Baker
- 2,752,726 A 7/1956 Calverley
- 3,225,489 A 12/1965 Ryan
- 3,236,004 A 2/1966 Christiansen
- 3,651,598 A 3/1972 Lang

1 Claim, 7 Drawing Sheets



(56)

References Cited

U.S. PATENT DOCUMENTS

3,962,819 A 6/1976 Christiansen
 3,995,395 A 12/1976 Rahmstorf
 D246,199 S 10/1977 Ogawa
 D246,201 S 10/1977 Ogawa
 4,063,381 A 12/1977 Deulofeu
 D247,054 S 1/1978 Rahmstorf
 D248,115 S 6/1978 Tapdrup
 D248,172 S 6/1978 Tapdrup
 D248,173 S 6/1978 Tapdrup
 D248,174 S 6/1978 Tapdrup
 D248,175 S 6/1978 Tapdrup
 D248,176 S 6/1978 Tapdrup
 D248,177 S 6/1978 Tapdrup
 D248,178 S 6/1978 Tapdrup
 D248,582 S 7/1978 Tapdrup
 4,136,481 A 1/1979 Nicholls
 4,141,176 A 2/1979 Flicker et al.
 D251,261 S 3/1979 Tapdrup
 D253,711 S 12/1979 Christiansen et al.
 4,185,412 A 1/1980 Rahmstorf
 D254,264 S 2/1980 Melotti
 4,190,982 A 3/1980 Rahmstorf
 D255,475 S 6/1980 Boot
 4,205,482 A 6/1980 Christiansen et al.
 D255,813 S 7/1980 Pape et al.
 D259,647 S * 6/1981 Takahashi D21/593
 D260,665 S 9/1981 Yamashina
 4,399,632 A 8/1983 Iseki
 D278,645 S 4/1985 Nielsen
 4,512,749 A 4/1985 Deulofeu
 D278,735 S 5/1985 Nielsen
 D279,494 S 7/1985 Nielsen
 D282,944 S 3/1986 Nielsen
 D283,149 S 3/1986 Nielsen
 D283,150 S 3/1986 Jensen
 D283,906 S 5/1986 Nielsen
 D284,091 S 6/1986 Arnau
 4,643,691 A 2/1987 Keiji
 D291,585 S 8/1987 Bertrand
 D292,723 S * 11/1987 Zacherle D21/630
 D292,812 S 11/1987 Zacherle
 D292,818 S * 11/1987 Zacherle D21/636
 D301,499 S 6/1989 Tapdrup
 D301,500 S 6/1989 Tapdrup
 4,950,912 A 8/1990 Goldfarb et al.
 4,993,988 A 2/1991 Chamberlain
 D317,796 S 6/1991 Laursen
 D325,605 S 4/1992 Holmstrom
 D329,069 S 9/1992 Holmstrom
 D329,070 S 9/1992 Holmstrom
 D329,884 S 9/1992 Holmstrom
 D332,117 S 12/1992 Holmstrom
 5,209,694 A 5/1993 Utt, Jr.
 5,328,400 A 7/1994 Bass
 D352,078 S 11/1994 Bertrand
 D353,417 S 12/1994 Ryaa et al.
 D353,418 S 12/1994 Ryaa et al.
 D353,856 S 12/1994 Ryaa et al.
 D354,533 S 1/1995 Ryaa et al.
 D366,076 S 1/1996 Pedersen
 D373,155 S * 8/1996 Cimock D21/483
 D374,466 S * 10/1996 Guegan D21/532
 5,628,669 A 5/1997 Hesse
 D393,670 S 4/1998 Glickman et al.
 D404,441 S 1/1999 Tong
 D420,064 S 2/2000 Poirier et al.
 D420,066 S 2/2000 Nielsen
 D453,361 S 2/2002 Tsai
 6,439,952 B1 8/2002 Yamamura
 D472,283 S 3/2003 Akashi
 6,575,810 B1 6/2003 Sohn
 D481,083 S 10/2003 Bresciani et al.
 6,692,332 B2 2/2004 Jheow
 D494,642 S 8/2004 Bresciani et al.
 D494,643 S 8/2004 Bresciani et al.

D495,764 S 9/2004 Bresciani et al.
 6,817,921 B2 11/2004 Chin et al.
 D504,708 S 5/2005 Wang
 7,021,989 B2 4/2006 Wai
 D531,084 S 10/2006 McGowen et al.
 D531,234 S 10/2006 Kitamura
 D531,541 S 11/2006 McGowen et al.
 D531,542 S 11/2006 McGowen et al.
 D534,457 S 1/2007 Newbould et al.
 D536,051 S 1/2007 Hernandez, Jr.
 D539,364 S 3/2007 Sofussen
 D556,840 S 12/2007 Wilk et al.
 D594,870 S 6/2009 Leung
 7,553,209 B1 6/2009 Sorensen
 7,566,256 B2 7/2009 Wai
 D611,108 S 3/2010 Bodin
 D621,886 S 8/2010 Lee
 D631,786 S 2/2011 Palmer
 D639,353 S 6/2011 Stibolt
 8,210,891 B2 7/2012 Brumagin et al.
 D672,410 S 12/2012 Dubreuil et al.
 D672,411 S 12/2012 Dubreuil et al.
 D672,412 S 12/2012 Dubreuil et al.
 D672,413 S 12/2012 Dubreuil et al.
 D676,505 S 2/2013 Mimlitch, III et al.
 D676,507 S * 2/2013 Mimlitch, III D21/578
 D677,744 S 3/2013 Yu
 D688,332 S 8/2013 Stosiak et al.
 9,022,832 B1 * 5/2015 Skripps A63H 3/48
 446/330
 D740,683 S 10/2015 Kassouni
 D746,171 S 12/2015 Lau et al.
 D753,241 S 4/2016 Jaensch
 D753,243 S 4/2016 Jaensch
 D760,328 S 6/2016 Croston et al.
 D760,330 S 6/2016 Croston et al.
 D762,787 S 8/2016 Barbiani et al.
 2007/0087651 A1 4/2007 Ali
 2015/0238880 A1 * 8/2015 Austin A63H 33/003
 446/376
 2017/0128847 A1 * 5/2017 Hacking A63H 3/16

OTHER PUBLICATIONS

“MEGA Bloks Rescue Squad, First Builders,” MEGA Bloks item #6623, <URL: <https://web.archive.org/web/20130831045609/http://www.megabloks.com/en-us/shop/construction-toys/first-builders/rescue-squad-6623>>, 3 pages, published Aug. 31, 2013.
 “MEGA Bloks Block Buddies, First Builders,” MEGA Bloks item #81215, <URL: <https://web.archive.org/web/20140808082347/http://www.megabloks.com/en-us/shop/construction-toys/first-builders/block-buddies-81215>>, 2 pages, published Aug. 8, 2014.
 “MEGA Bloks Collection: Dora the Explorer,” <URL: <https://web.archive.org/web/20141019205539/http://www.megabloks.com/en-ca/shop/construction-toys/dora-the-explorer>>, 3 pages, published Oct. 19, 2014.
 “Duplo Figure Bust Short with Striped Dungarees and Black Male Hair,” Lego Part 2327cx1, first produced 1994 according to: <URL: <http://www.peeron.com/inv/parts/2327cx1>>, 2 pages.
 “Duplo Figure Bust Short with Suspenders, Yellow Freckle Nose, and Red Male Hair,” Lego Part 2327cx3, first produced 1992 according to: <URL: <http://www.peeron.com/inv/parts/2327cx3>>, 2 pages.
 “Duplo Figure Bust Tall with Freckle Nose and Brown Ragged Male Hair,” Lego Part x829cx12, first produced 1984 according to: <URL: <http://www.peeron.com/inv/parts/x829cx12>>, 3 pages.
 “Duplo Figure Bust Tall with Male Face (Thick Eyebrows) and Yellow Derby Hat,” Lego Part x829cx23, first produced 1980 according to: <URL: <http://www.peeron.com/inv/parts/x829cx23>>, 3 pages.
 “MEGA Bloks Block Buddies My Pony Stable Instructions,” 2004, 6 pages.
 Mega Bloks First Builders School Bus Building Set (via Amazon), available Feb. 1, 2017, [online], [site visited Feb. 1, 2017]. Available from internet, <URL: <https://www.amazon.com/Mega-Bloks->

(56)

References Cited

OTHER PUBLICATIONS

Builders-School-Building/dp/B01CW6EL72/ref=pd_sim_21_3?_encoding=UTF8&pd_rd_i=B01CW6EL72&pd_rd_r=Q3W4BME1AB6XPVDJ7HJX&pd_rd_w=ElOmK&pd_rd_wg=urqUF&psc=1&refRID=Q3.

Mega Bloks Pink Convertible Building Set (via Amazon), available Jan. 4, 2017, [online], [site visited Feb. 1, 2017]. Available from internet, <URL: https://www.amazon.com/Mega-Bloks-Pink-Convertible-Building/dp/B01CW6EL0E/ref=cm_cr_ar_p_d_pdt_img_top?ie=UTF8>.

Mega Bloks Dylan Dump Truck (via Amazon), available Jan. 17, 2013, [online], [site visited Feb. 1, 2017]. Available from Internet, <URL: https://www.amazon.com/Mega-Bloks-Dylan-Dump-Truck/dp/B006LEZ9EQ/ref=sr_1_1?s=toys-and-games&ie=UTF8&qid=1486358821&sr=1-1&keywords=dylan+dump+truck>.

Office Action dated Jun. 29, 2018 in Design U.S. Appl. No. 29/611,345.

Amazon, Lego Duplo Man, available Oct. 8, 2010, [online], [site visited May 17, 2018]. Available from Internet, <URL: <https://www.amazon.co.uk/Lego-Duplo-Baseball-Green-Shirt/dp/B0045RKIOW/>>

ref=sr_1_34?ie=UTF8&qid=1526578105&sr=8-34&keywords=legoville+duplo+figure> (Year: 2010).

CPSC.gov, Fisher-Price Recalls Little People Play 'n Go Campsite Due to Choking Hazard, issued Aug. 5, 2010, [online], [site visited Jun. 21, 2018]. Available from Internet, <URL: <https://www.cpsc.gov/Recalls/2010/fisher-price-recalls-little-people-play-n-go-campsite-due-to-choking-hazard>> (Year: 2010).

Coroflot, Yo Gabba Gabba Construction Playset, posted Sep. 14, 2009, [online], [site visited May 17, 2018]. Available from Internet, <URL: <http://www.coroflot.com/stephanielemoine/Yo-Gabba-Gabba-Construction-Playsets>> (Year: 2009).

Toys, Transformers Afterburner, released 1987, [online], [site visited May 17, 2018]. Available from Internet, <URL: <http://toys.tfw2005.com/afterburner-5-4>> (Year 1987).

Amazon, Lego Duplo Boy, available Oct. 8, 2010, [online], [site visited May 17, 2018]. Available from Internet, <URL: https://www.amazon.co.uk/Lego-Duplo-Overall-Green-Bassball/dp/B0045RL0DQ/ref=sr_1_33?ie=UTF8&qid=1526578105&sr=8-33&keywords=legoville+duplo+figure> (Year: 2010).

Amendment dated Sep. 24, 2018 in Design U.S. Appl. No. 29/611,345. Design U.S. Appl. No. 29/654,482, filed Jun. 25, 2018.

* cited by examiner

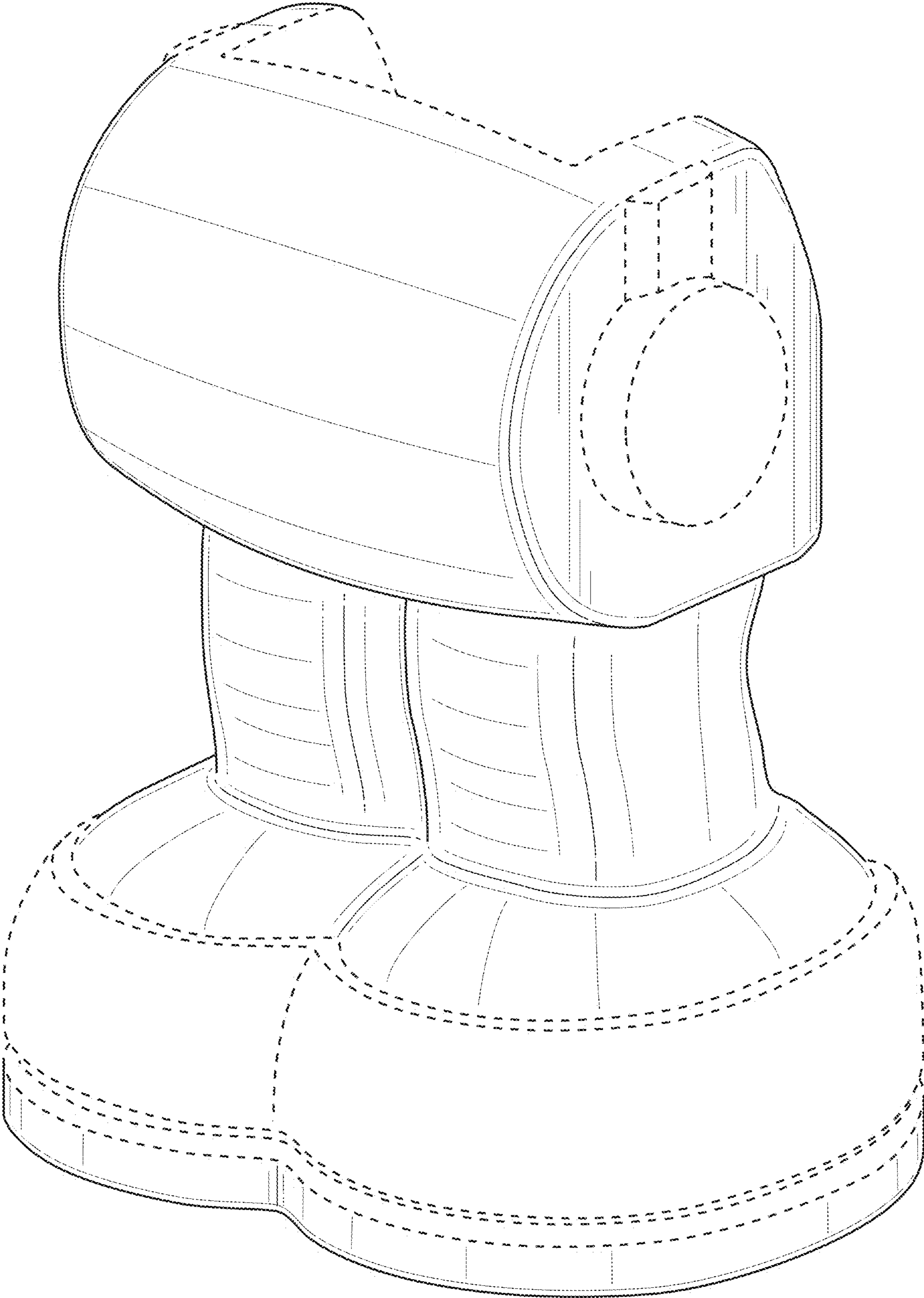


FIG. 1

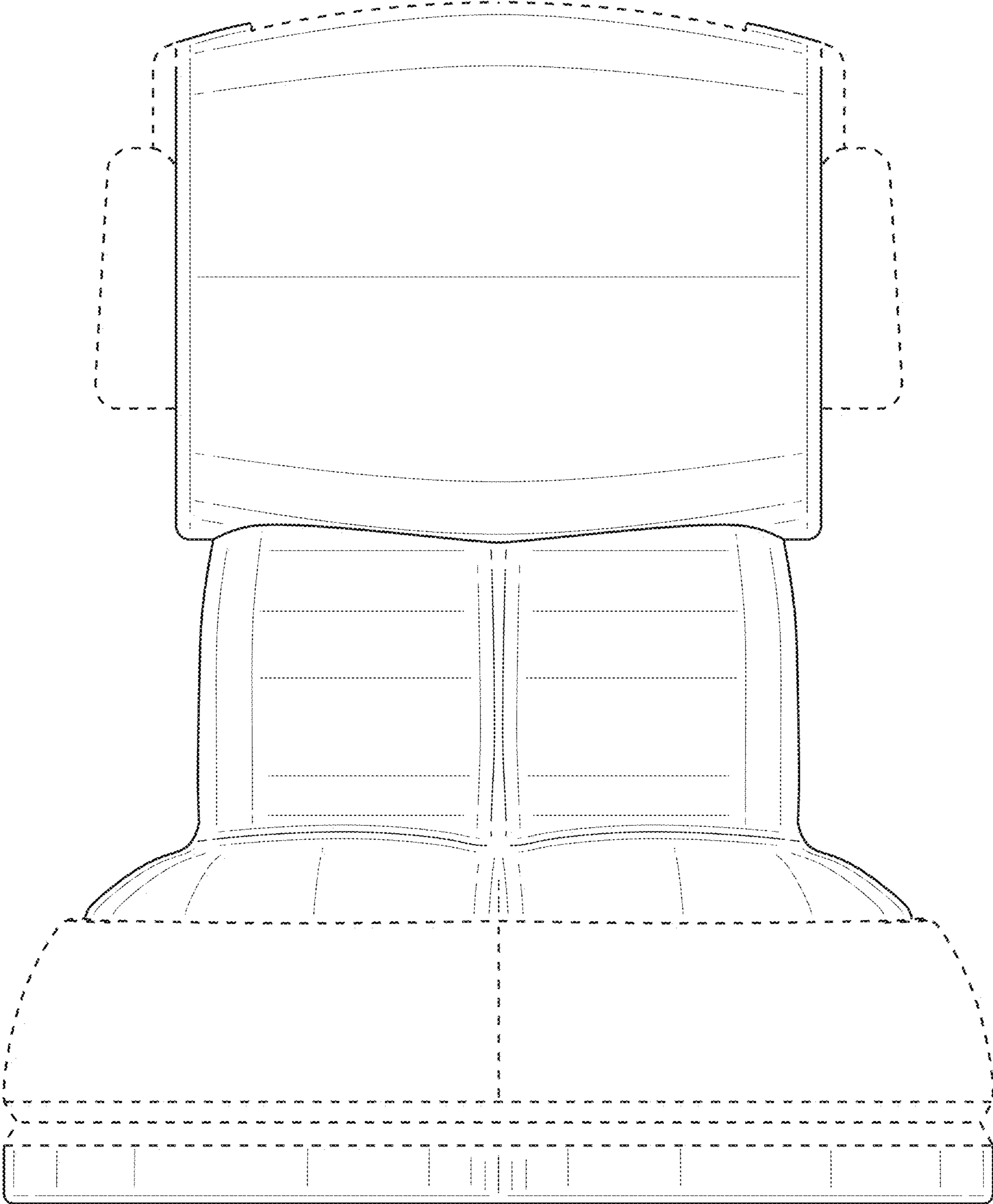


FIG. 2

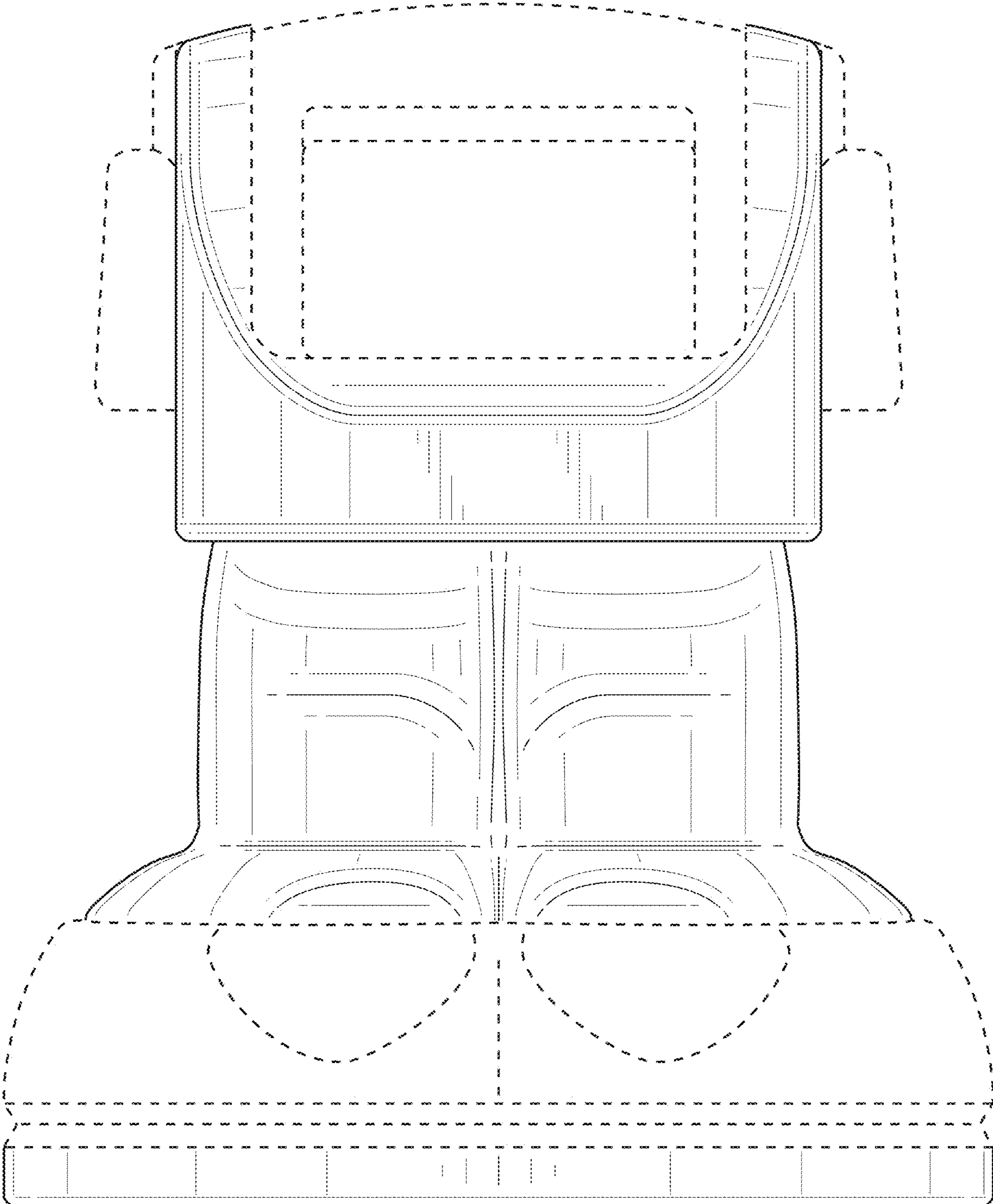


FIG. 3

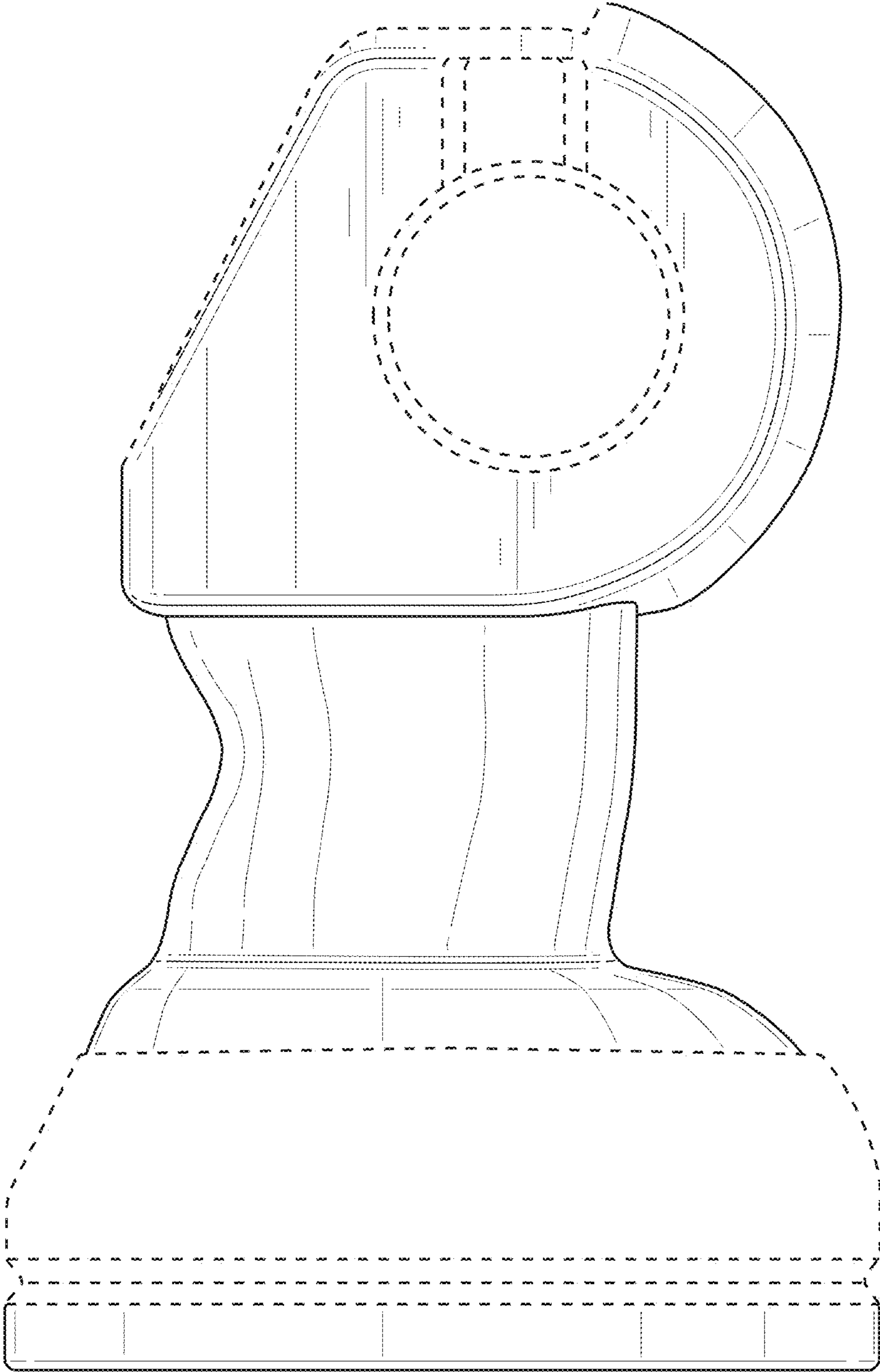


FIG. 4

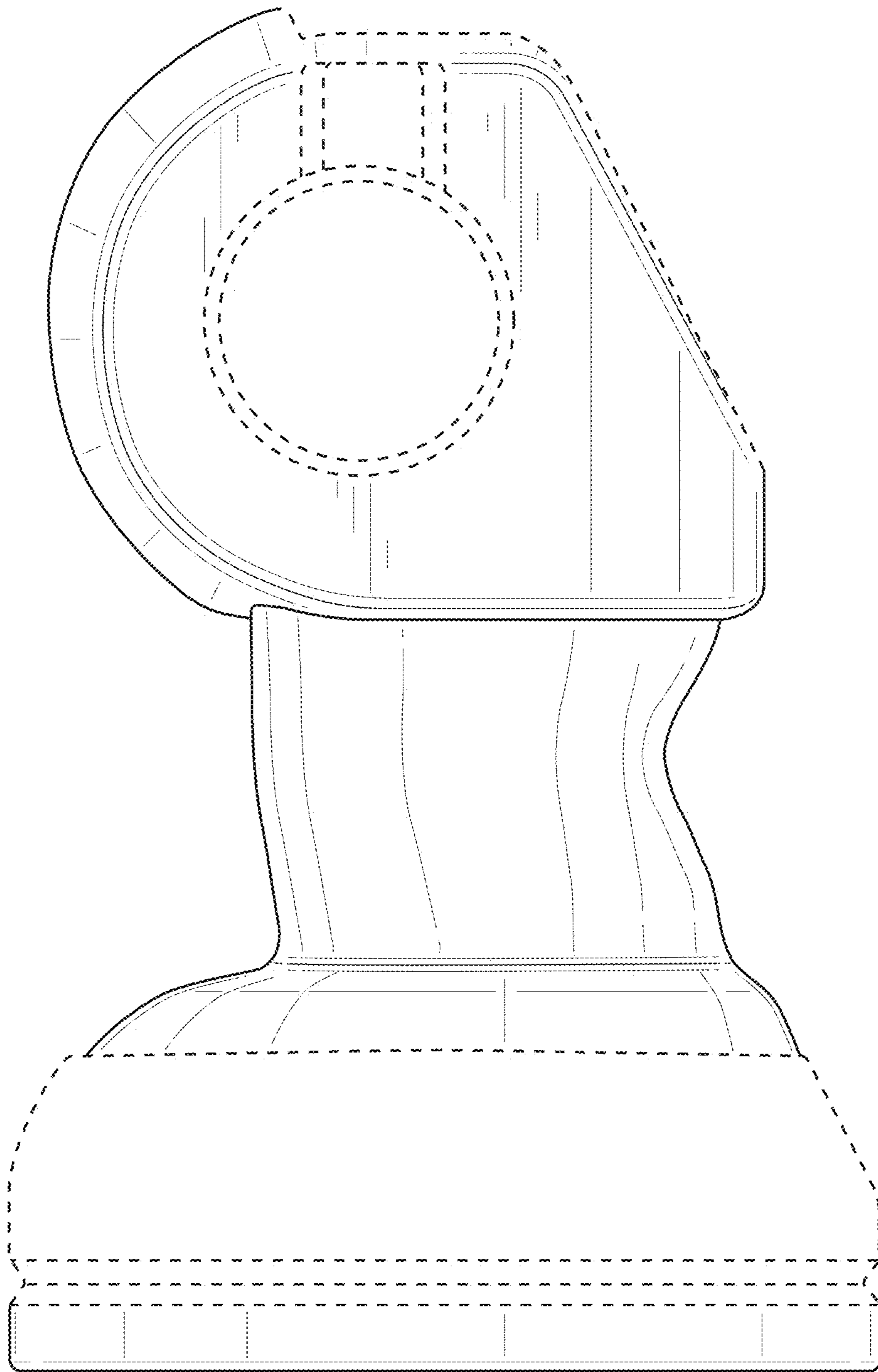


FIG. 5

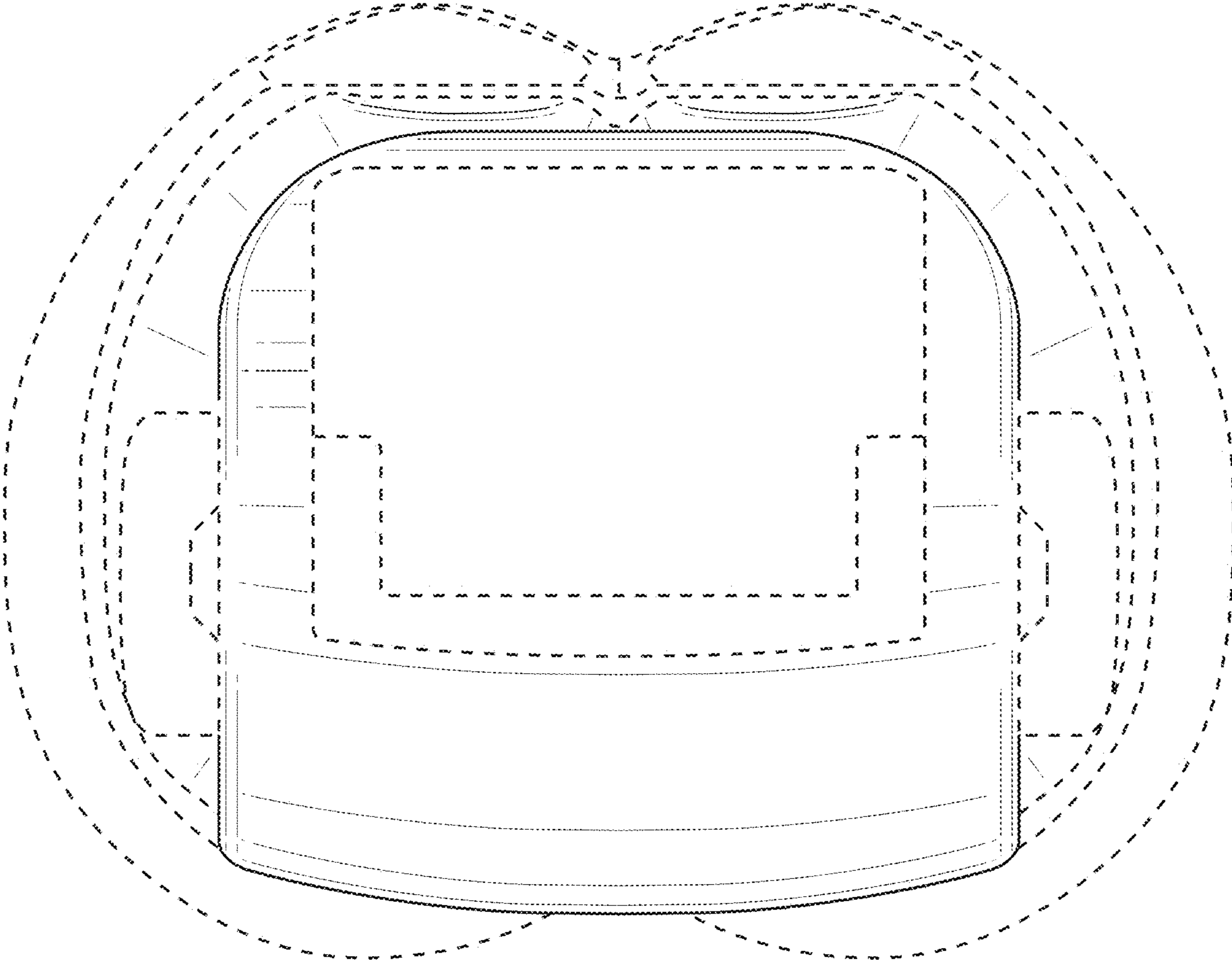


FIG. 6

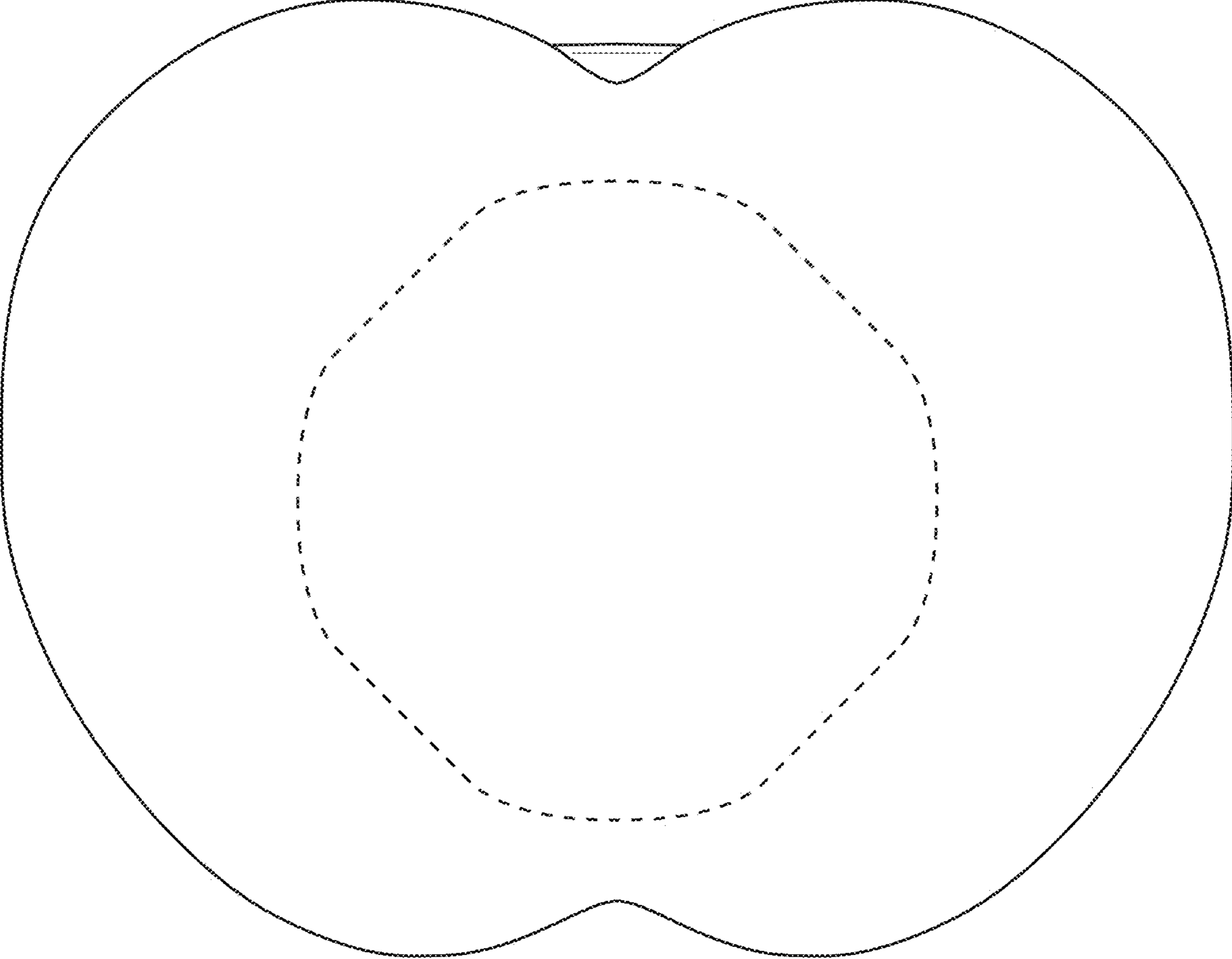


FIG. 7