



US00D897453S

(12) **United States Design Patent**
Zhang

(10) **Patent No.:** **US D897,453 S**

(45) **Date of Patent:** **** Sep. 29, 2020**

(54) **REMOTE CONTROL CAR**

(71) Applicant: **Shenzhen Chengfeng Technology co., Ltd.**, Shenzhen (CN)

(72) Inventor: **Zhigang Zhang**, Shenzhen (CN)

(73) Assignee: **Shenzhen Chengfeng Technology co., Ltd.**, Shenzhen (CN)

(**) Term: **15 Years**

(21) Appl. No.: **29/737,371**

(22) Filed: **Jun. 8, 2020**

(51) **LOC (12) Cl.** **21-01**

(52) **U.S. Cl.**
USPC **D21/550**

(58) **Field of Classification Search**
USPC D21/424, 433, 434, 533, 548, 549, 550,
D21/551, 552, 557, 560, 561, 562;
D12/87

CPC A63H 17/00; A63H 17/002; A63H 17/004;
A63H 17/26; A63H 17/262; A63H
17/264; A63H 17/266; A63H 17/34;
A63H 17/36; A63H 17/38; A63H 29/00;
A63H 29/16; A63H 29/165; A63H 29/22;
A63H 29/24

See application file for complete search history.

(56) **References Cited**

U.S. PATENT DOCUMENTS

D309,930 S * 8/1990 Asaeda D21/548
D425,141 S * 5/2000 Park D21/550
D454,602 S * 3/2002 Tse D21/552
D460,130 S 7/2002 Cheng

D534,593 S * 1/2007 Yuen D21/562
D822,126 S * 7/2018 Allmendinger D21/562
D837,307 S 1/2019 Jin
D842,388 S * 3/2019 Wang D21/552
D851,183 S * 6/2019 Wood D21/562
D871,512 S 12/2019 Cai
2006/0292966 A1* 12/2006 Byers A63H 17/262
446/431
2014/0227941 A1* 8/2014 Suzuki A63H 17/262
446/456
2016/0129355 A1* 5/2016 Erhart A63H 17/40
446/456
2017/0080350 A1* 3/2017 Allmendinger A63H 17/264

* cited by examiner

Primary Examiner — Cynthia M. Chin

(74) *Attorney, Agent, or Firm* — Zhihua Han

(57) **CLAIM**

I claim the ornamental design for a remote control car, as shown and described.

DESCRIPTION

FIG. 1 is a perspective view of a remote control car, showing my new design;

FIG. 2 is another perspective view thereof;

FIG. 3 is another perspective view thereof;

FIG. 4 is another perspective view thereof;

FIG. 5 is another perspective view thereof;

FIG. 6 is a top plan view thereof;

FIG. 7 is a bottom plan view thereof;

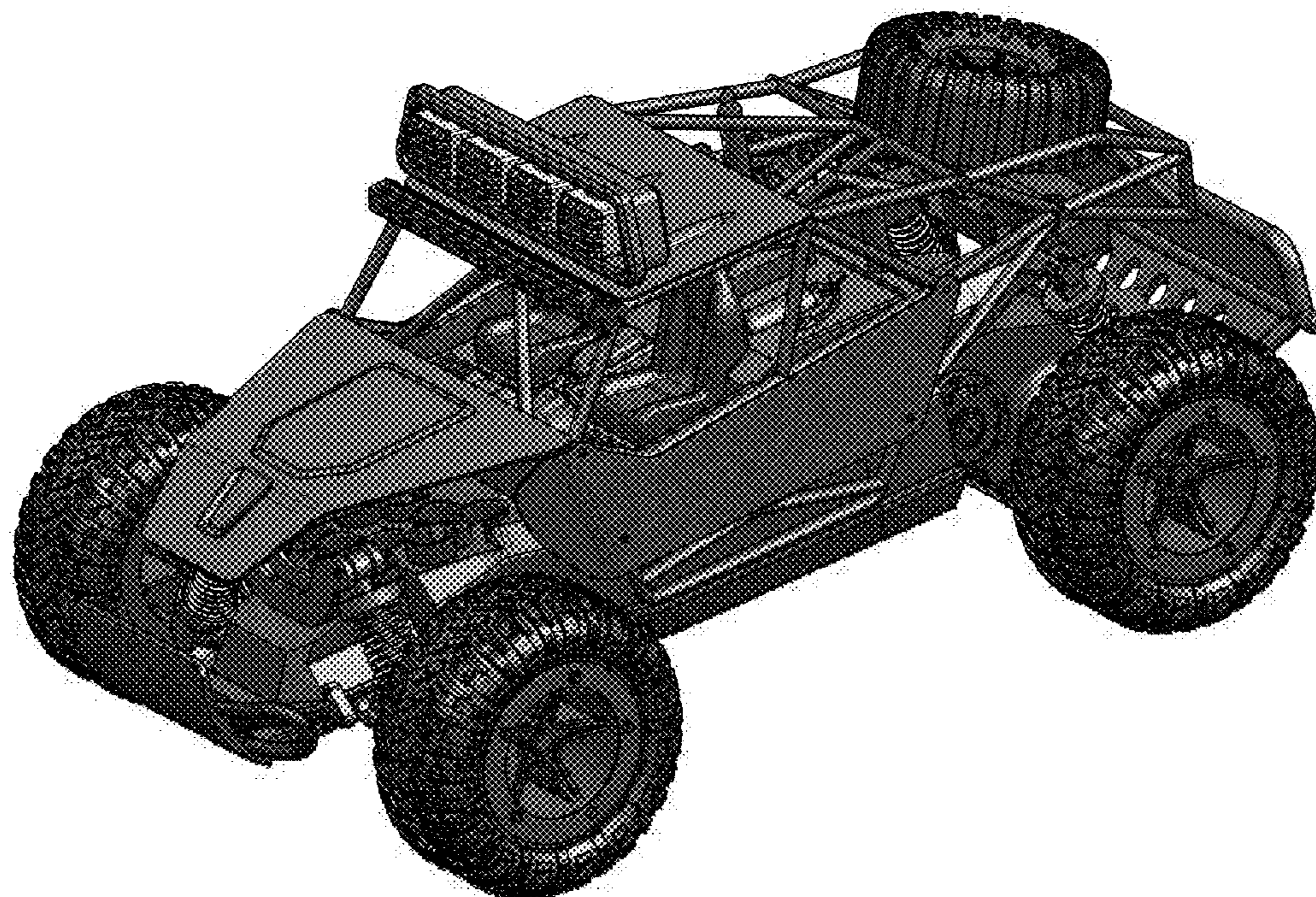
FIG. 8 is a right side elevation view thereof;

FIG. 9 is a left side elevation view thereof;

FIG. 10 is a front elevation view thereof; and,

FIG. 11 is a rear elevation view thereof.

1 Claim, 11 Drawing Sheets



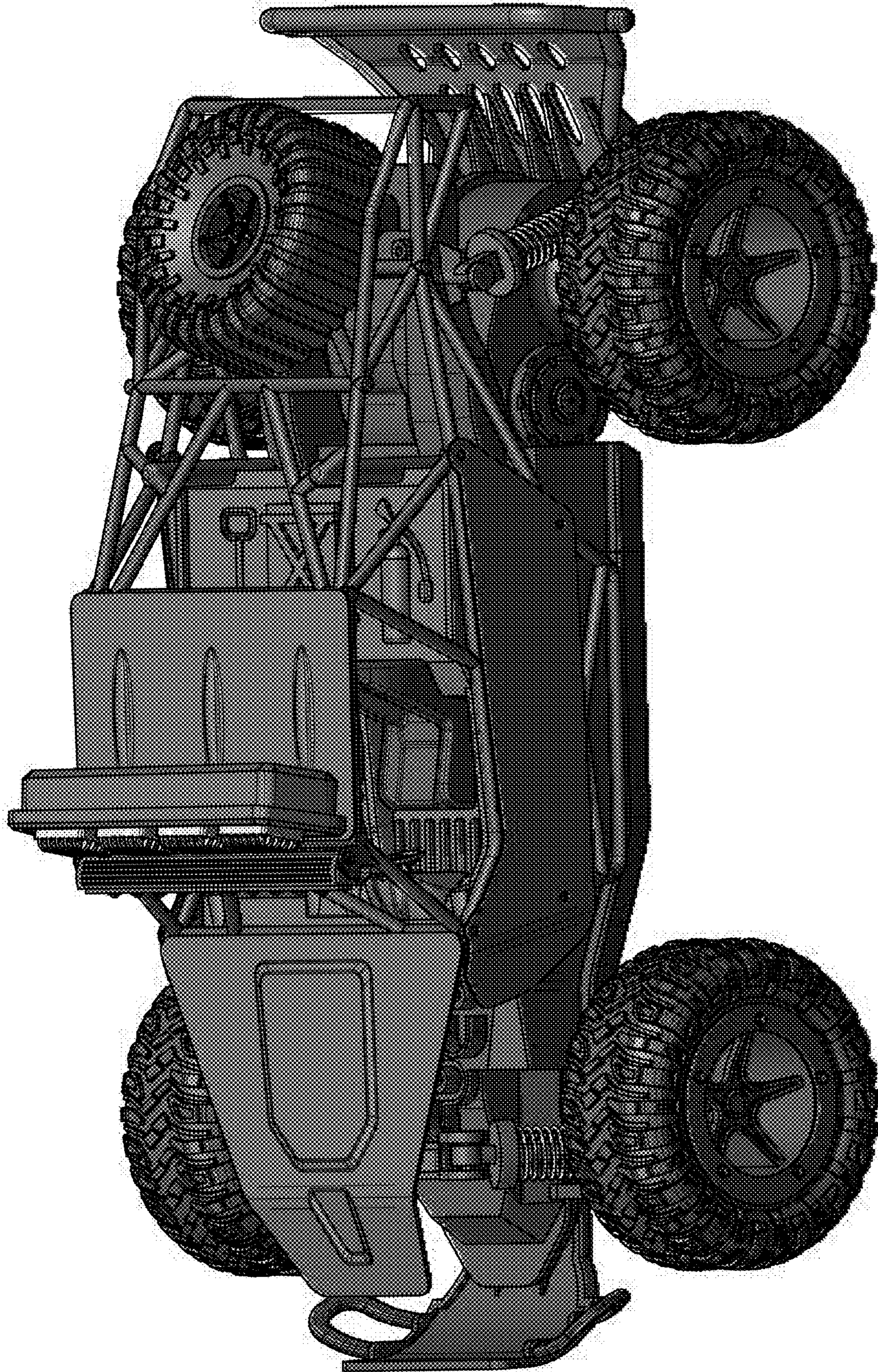


FIG. 1

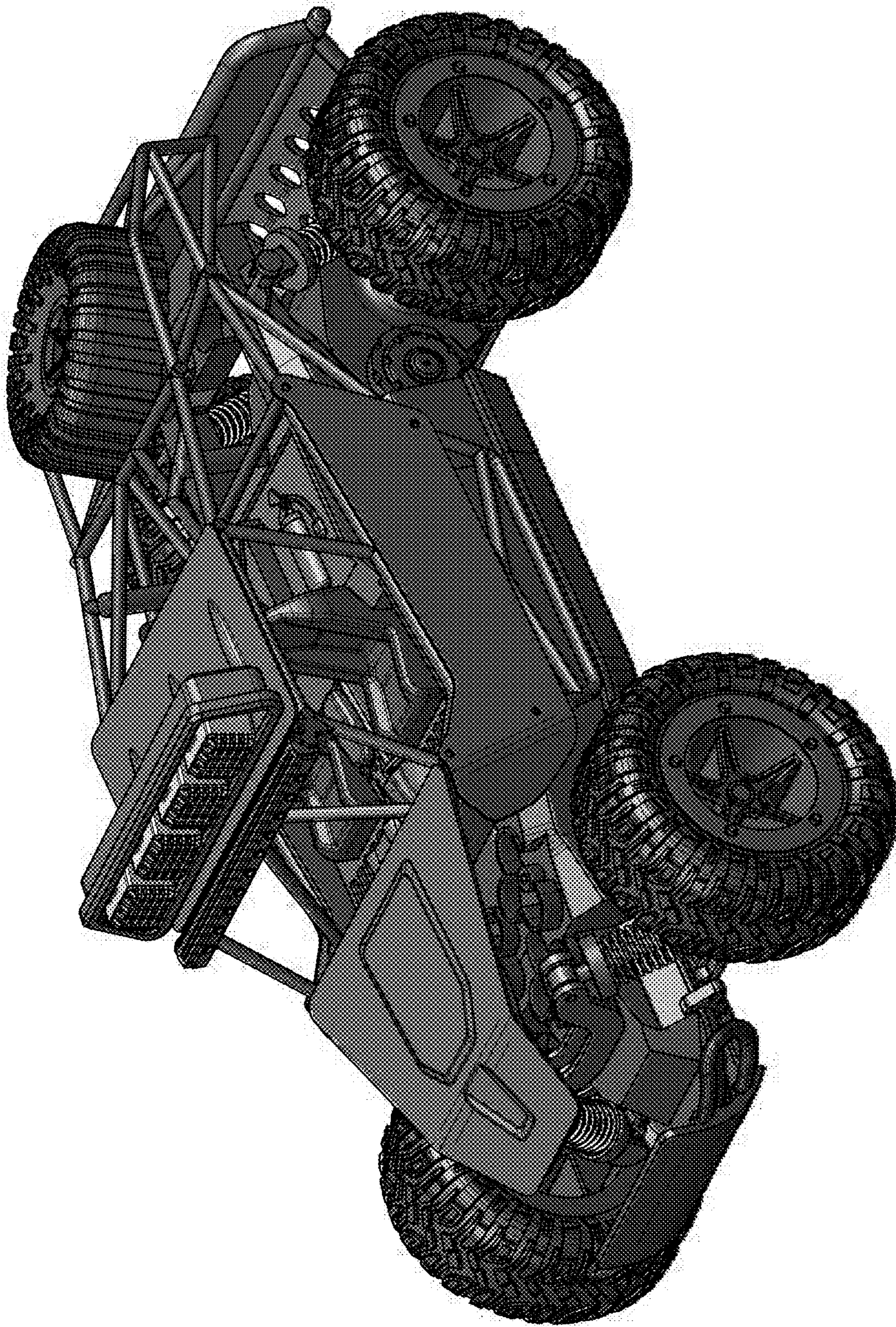


FIG. 2

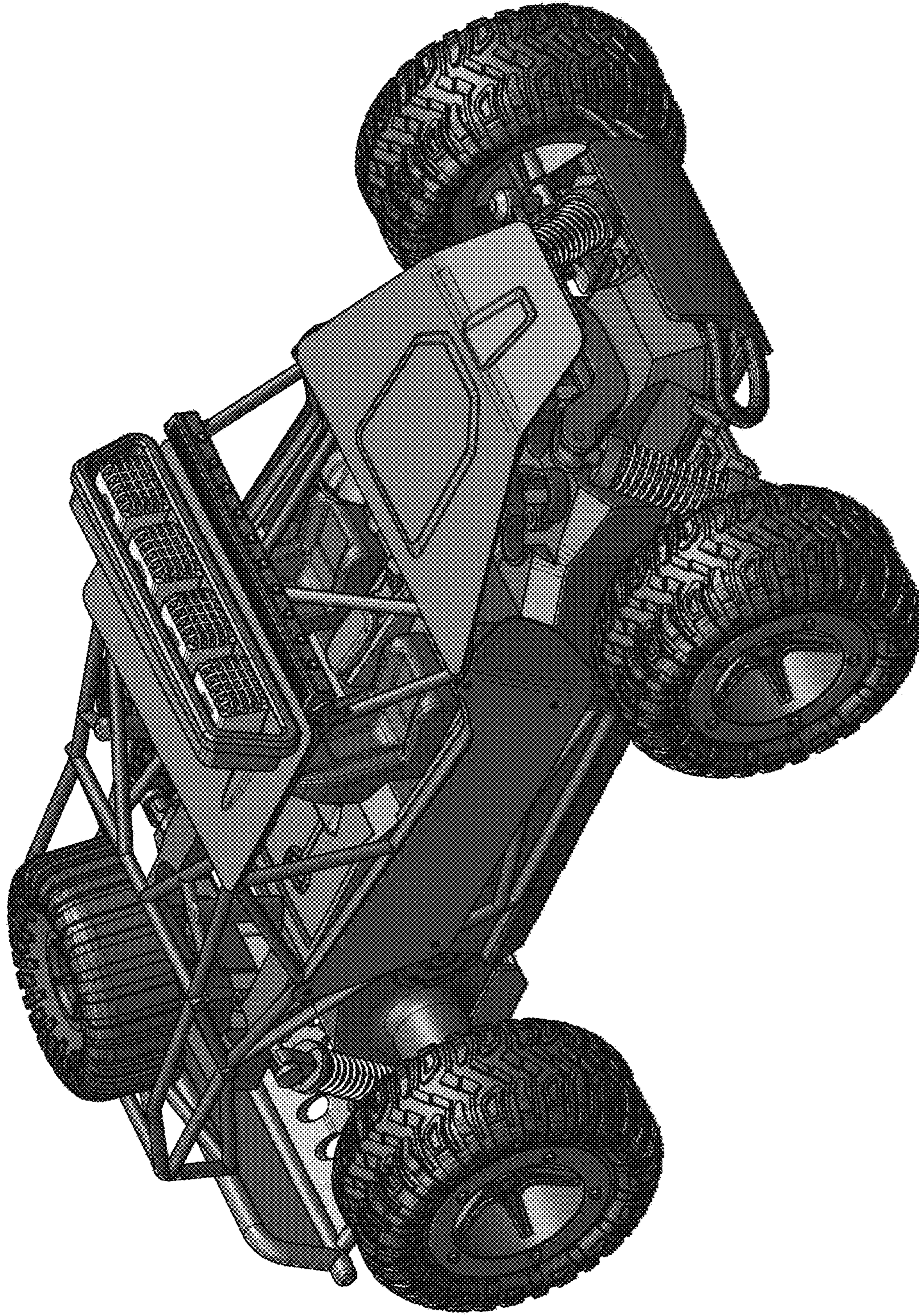


FIG. 3

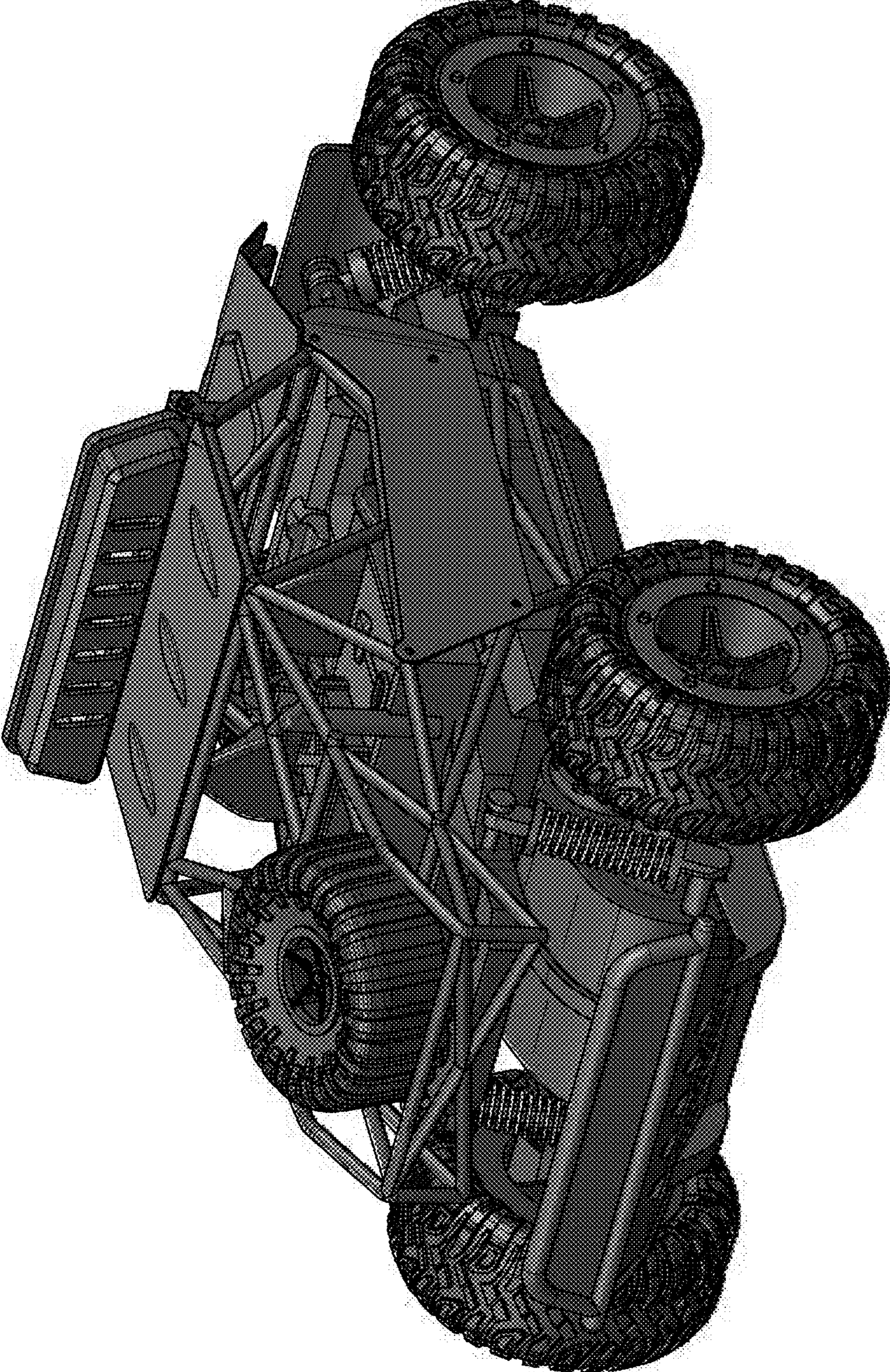


FIG. 4

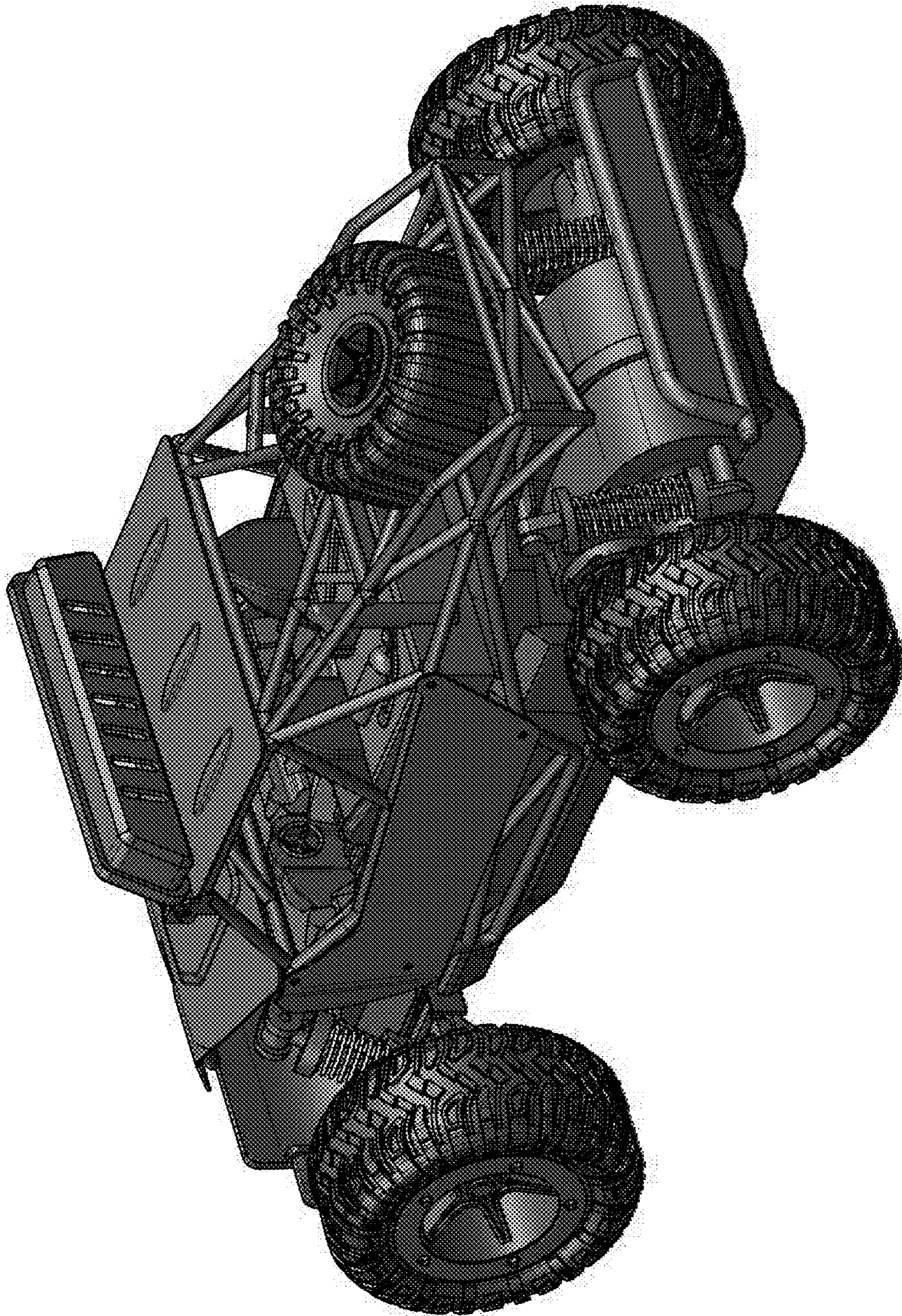


FIG. 5

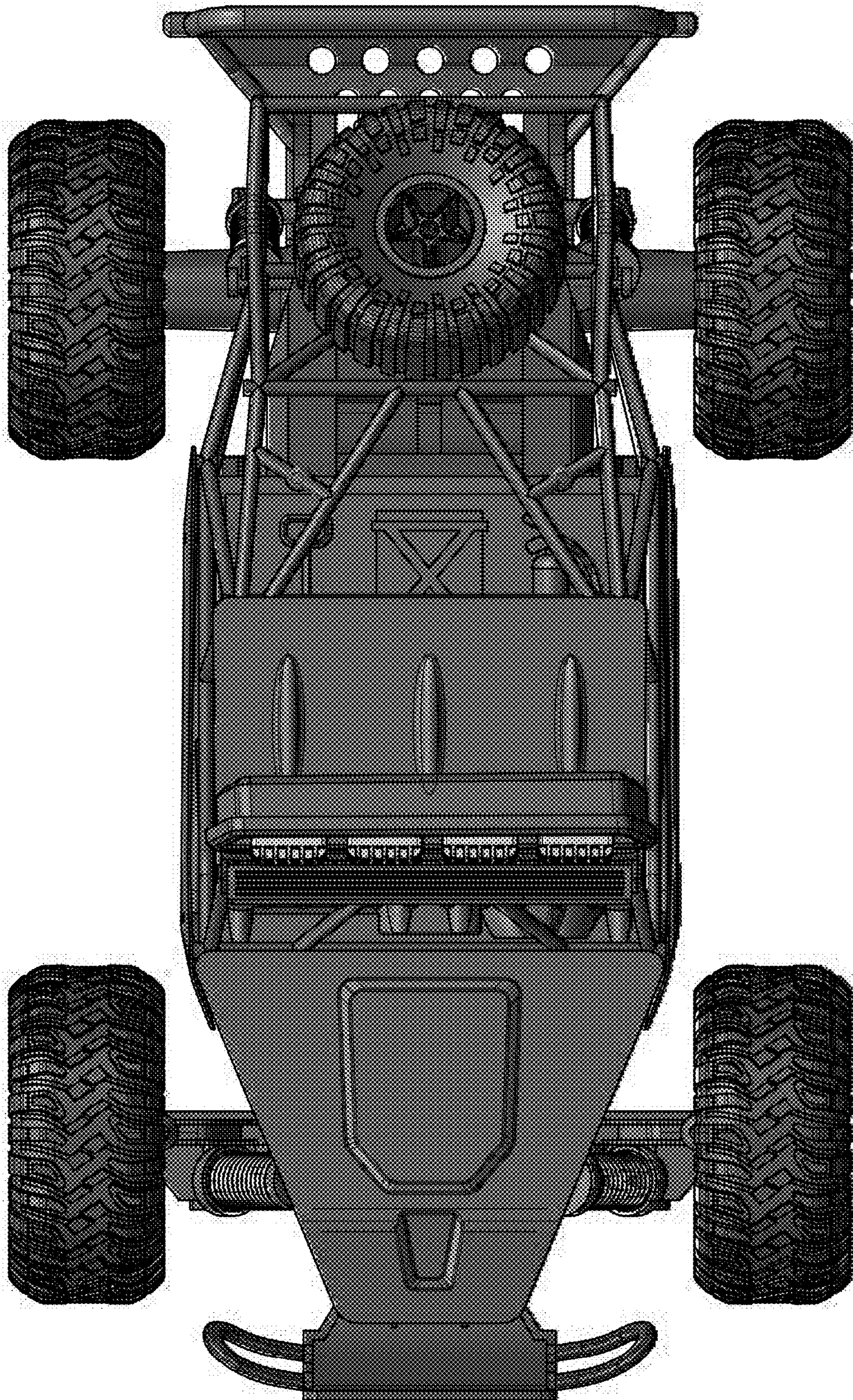


FIG. 6

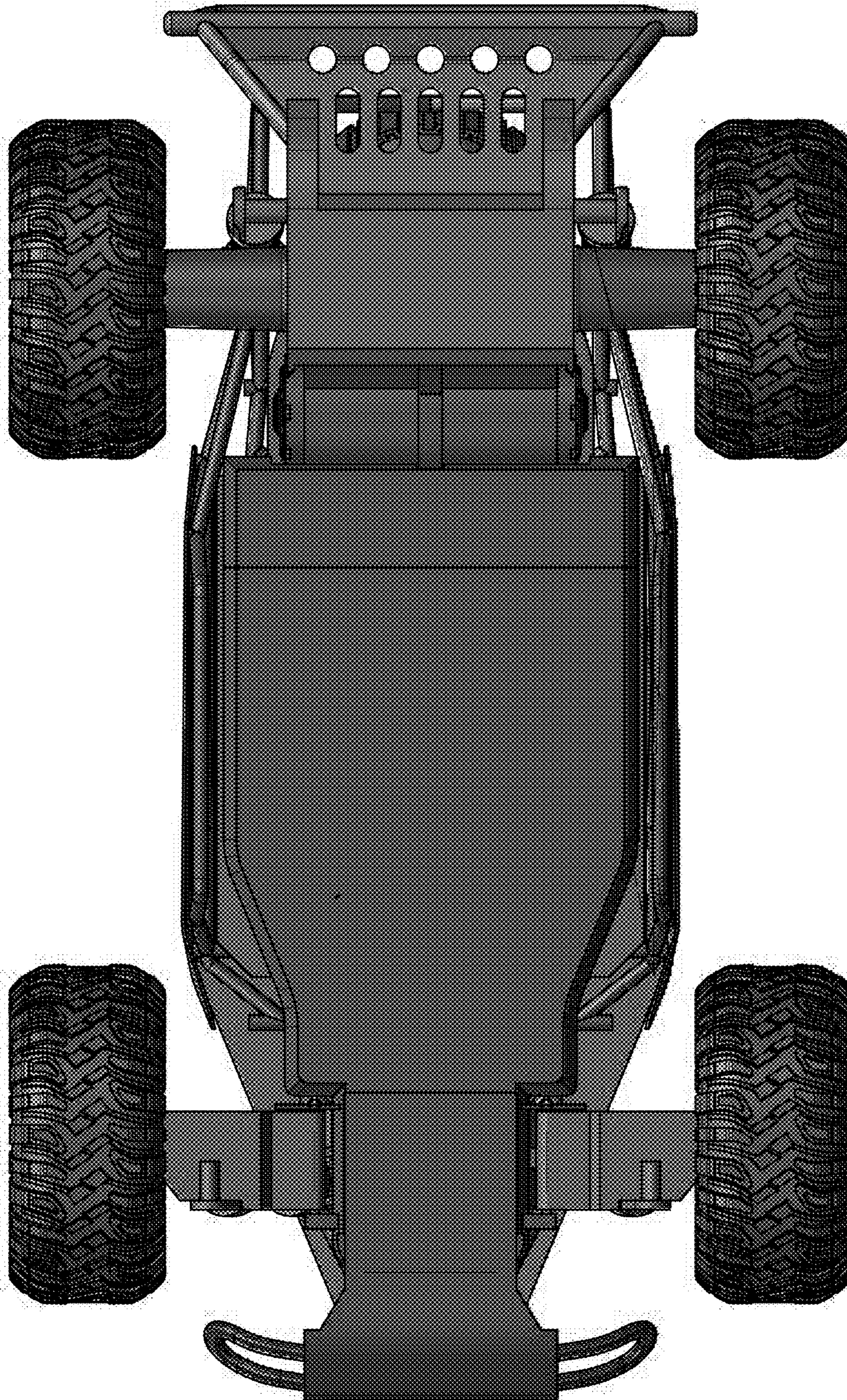


FIG. 7

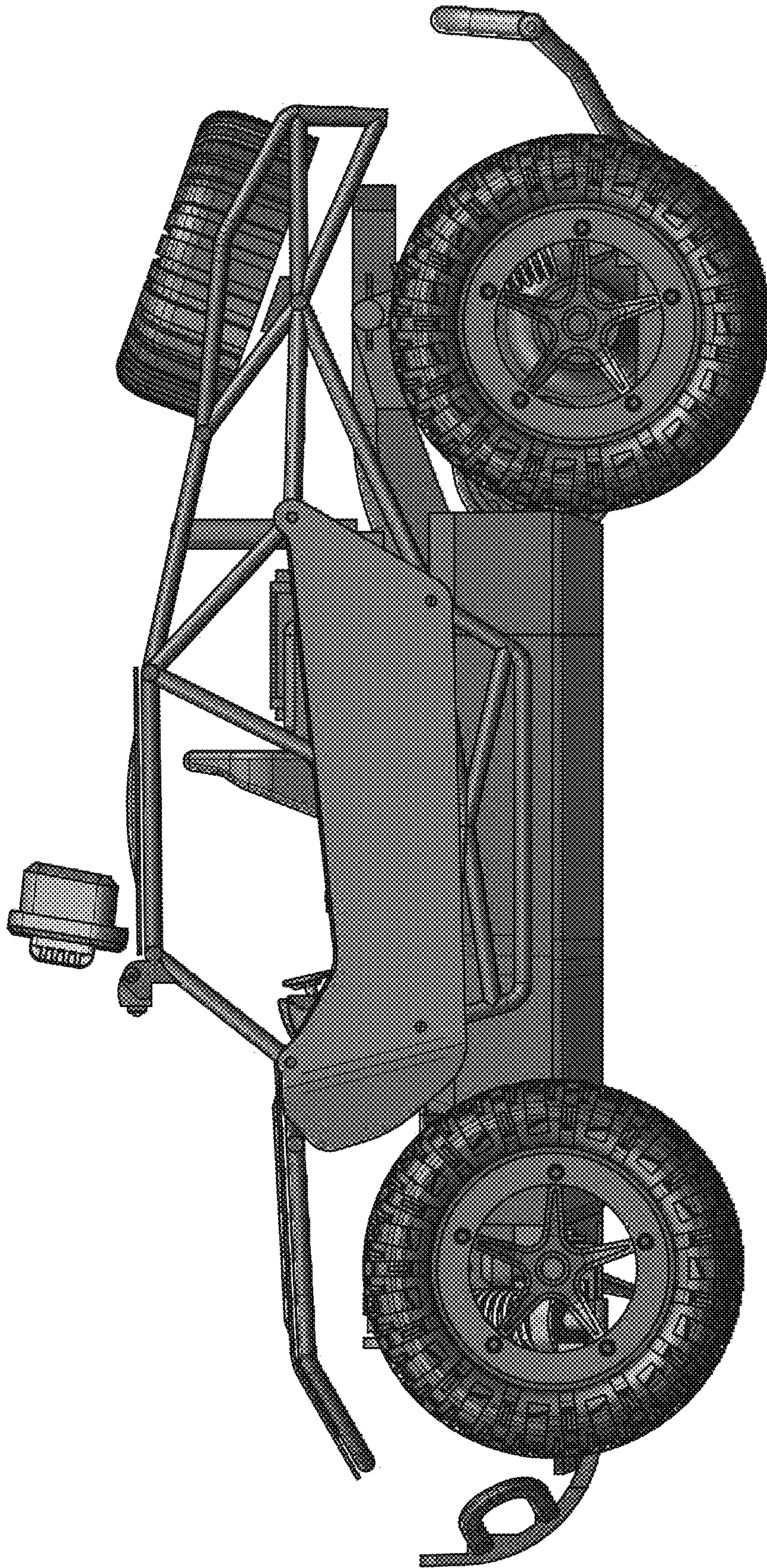


FIG. 8

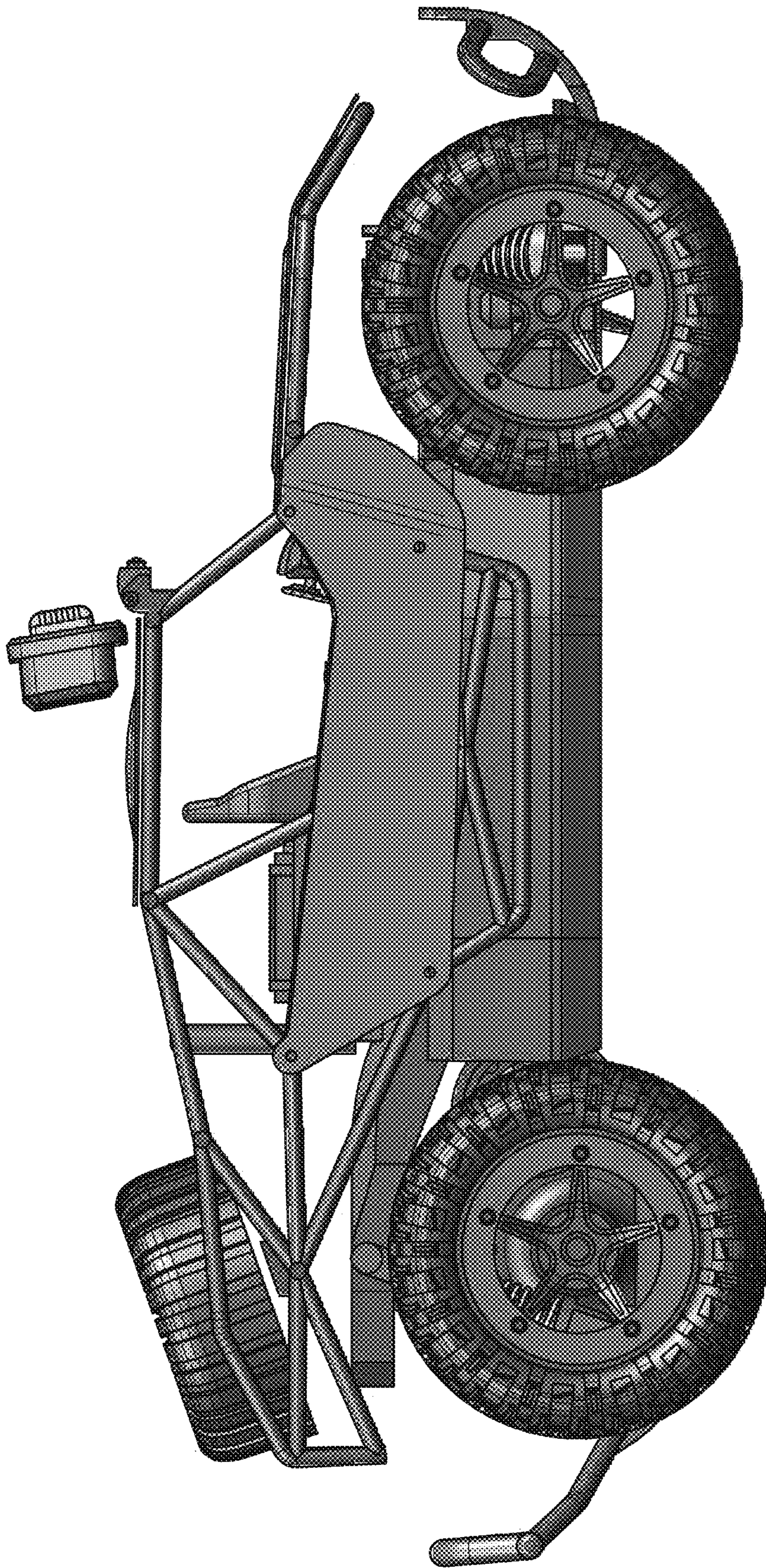


FIG. 9

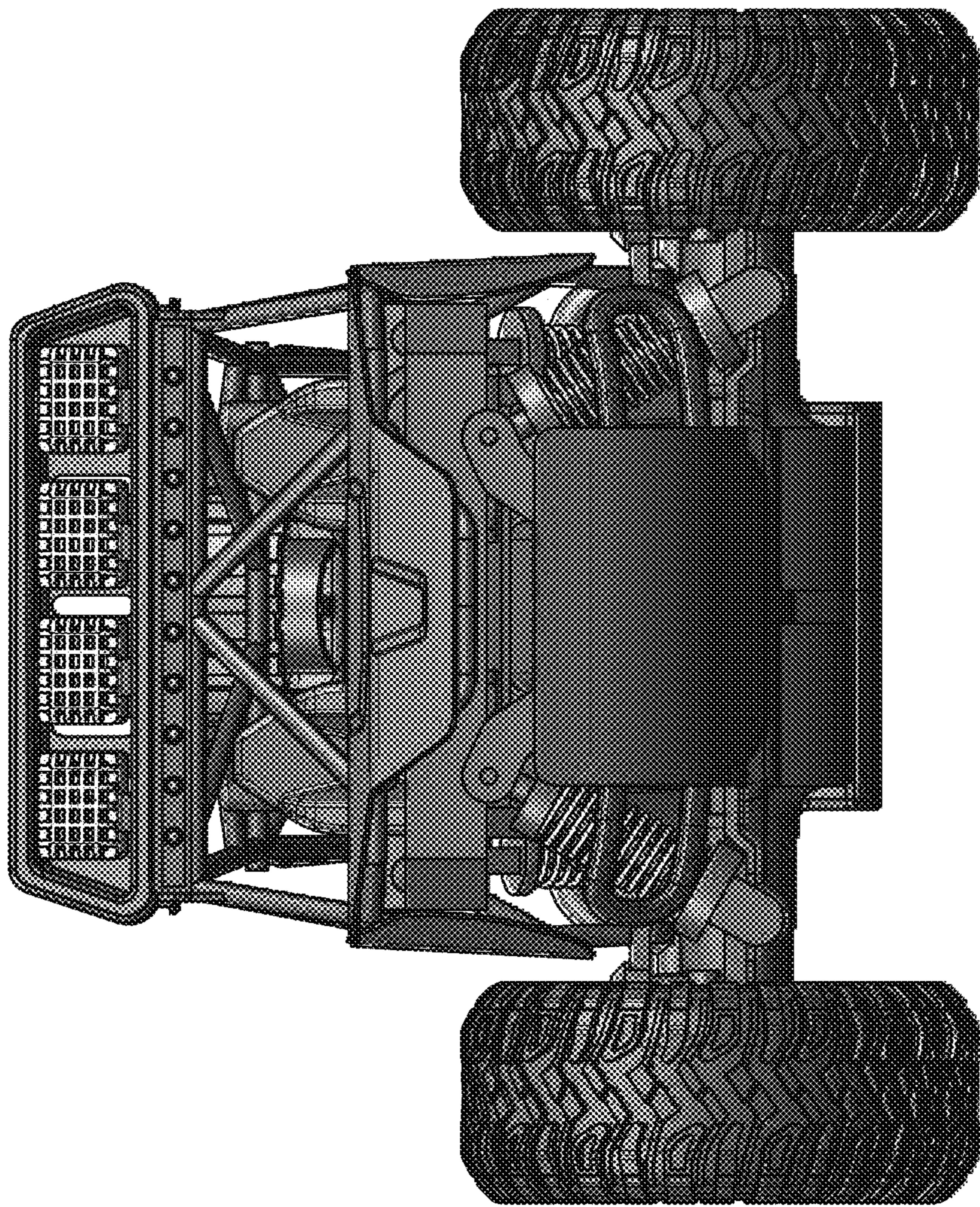


FIG. 10

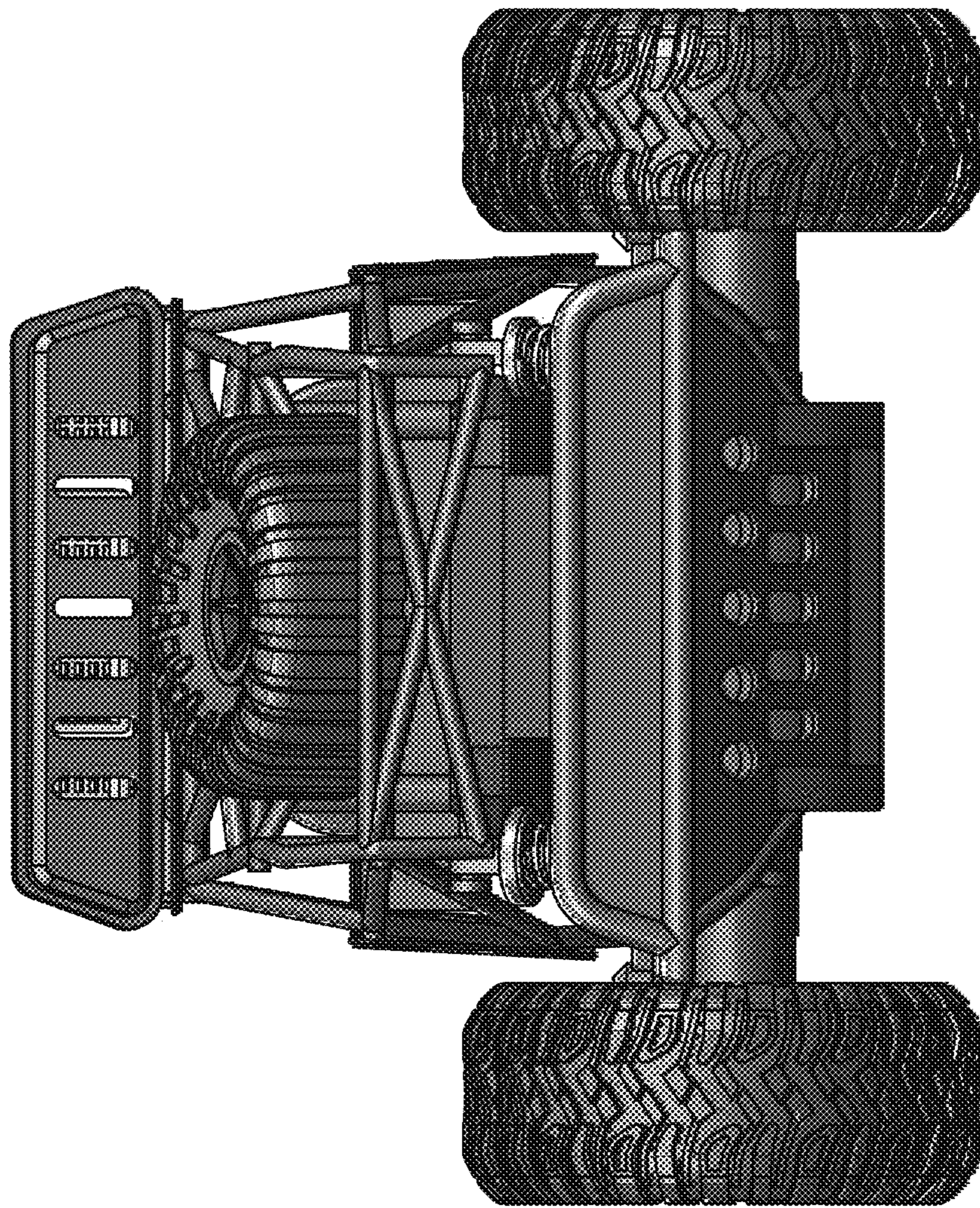


FIG. 11