



US00D897449S

(12) **United States Design Patent**  
**Xu**

(10) **Patent No.:** **US D897,449 S**

(45) **Date of Patent:** **\*\* Sep. 29, 2020**

(54) **TOY**  
(71) Applicant: **Genhua Xu, Jian (CN)**  
(72) Inventor: **Genhua Xu, Jian (CN)**  
(\*\*) Term: **15 Years**

(21) Appl. No.: **29/679,050**  
(22) Filed: **Feb. 1, 2019**  
(51) **LOC (12) Cl.** ..... **21-01**  
(52) **U.S. Cl.**  
USPC ..... **D21/468; D21/398; D21/341; D21/392;**  
**D19/59**

(58) **Field of Classification Search**  
USPC ..... **D21/300, 324, 334–397, 468, 475,**  
**D21/478–480; D19/59, 60, 62, 64;**  
**273/236–291, 148 R, 309, 153 R, 156,**  
**273/153 S; 434/159, 167, 171, 172, 175,**  
**434/177, 195, 407, 408, 429**  
CPC ..... **A63F 3/00173; A63F 3/00261; A63F**  
**3/00574; A63F 2003/00223; A63F**  
**2003/00492; A63F 2003/00943; A63F**  
**2003/00946; A63F 2003/00952; A63F**  
**2003/00962; A63F 9/0073; A63F 9/0098;**  
**A63F 9/06; G09B 1/02–10**  
See application file for complete search history.

(56) **References Cited**  
**U.S. PATENT DOCUMENTS**

1,604,127 A \* 10/1926 Lambert ..... G09B 17/00  
434/177  
1,676,505 A \* 7/1928 Scanlan ..... A63F 9/0807  
273/153 S  
2,434,066 A \* 1/1948 Fey ..... A63F 3/022  
273/237  
3,371,439 A \* 3/1968 Smith ..... G03B 21/64  
40/735  
3,410,011 A \* 11/1968 Bowman ..... A63F 3/00261  
40/504

3,462,154 A \* 8/1969 Giraud ..... A63F 3/04  
273/287  
4,624,464 A \* 11/1986 Propsom ..... A63F 3/00895  
273/280  
4,776,597 A \* 10/1988 Rudell ..... A63F 3/0423  
273/241

(Continued)

**FOREIGN PATENT DOCUMENTS**

FR 982137 A \* 6/1951  
FR 2326216 A1 \* 4/1977

(Continued)

*Primary Examiner* — Catherine A Tuttle  
(74) *Attorney, Agent, or Firm* — Law Offices of Steven  
W. Weinrieb

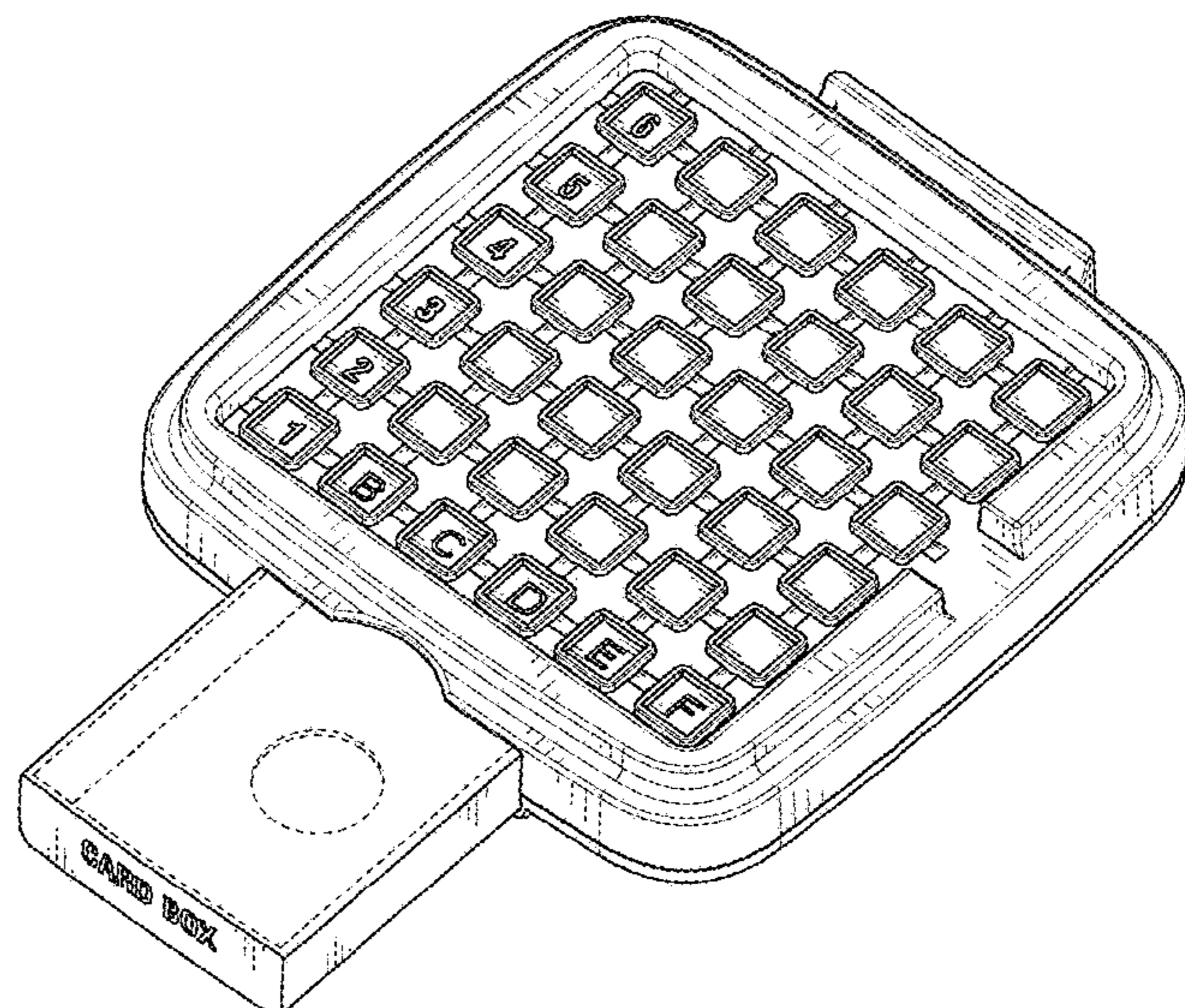
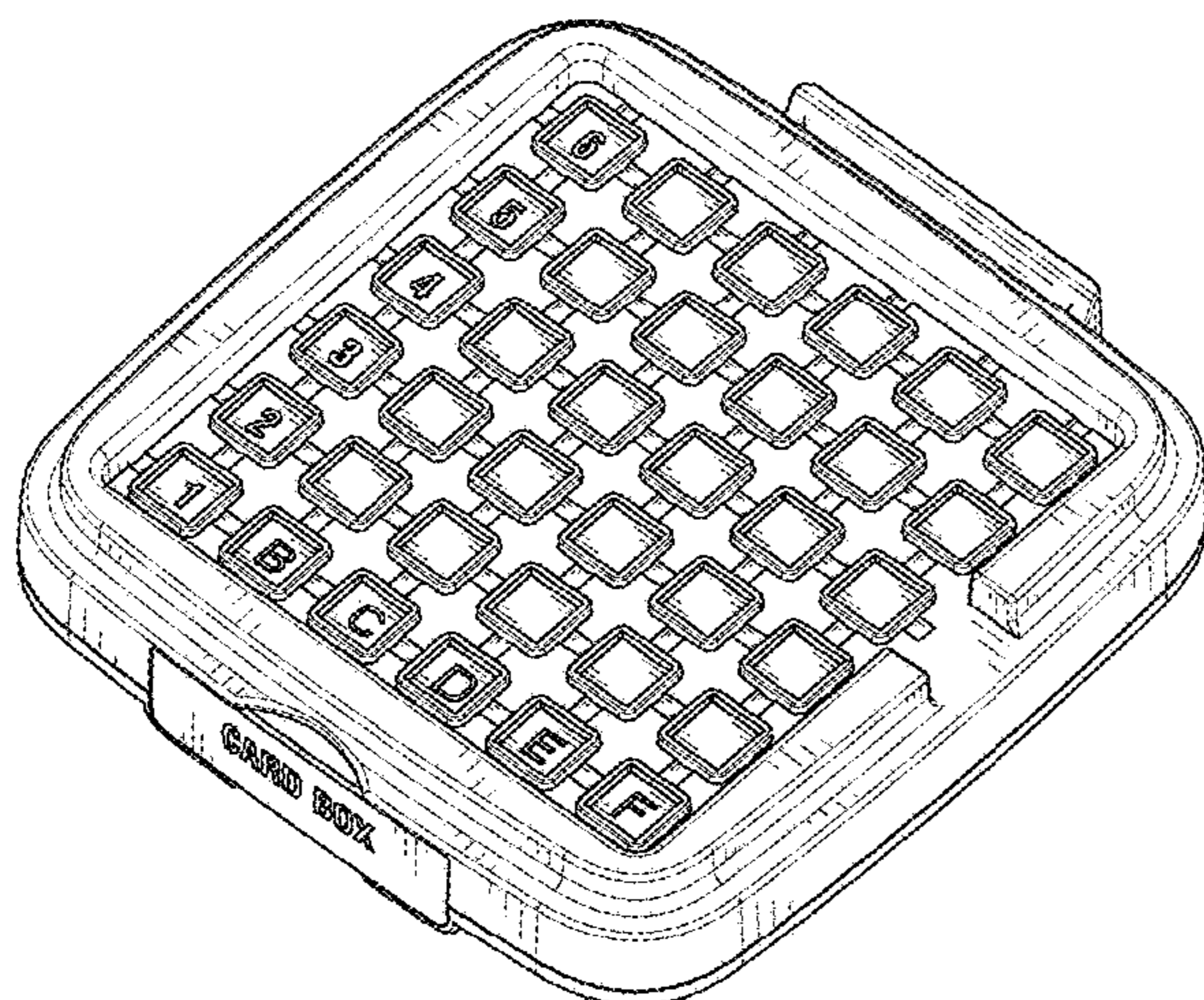
(57) **CLAIM**

The ornamental design for a toy, as shown and described.

**DESCRIPTION**

FIG. 1 is a front, right side, top perspective view of the toy showing my new design;  
FIG. 2 is a rear, left side, bottom perspective view thereof;  
FIG. 3 is a top plan view thereof;  
FIG. 4 is a bottom plan view thereof;  
FIG. 5 is a left side elevational view thereof;  
FIG. 6 is a right side elevational view thereof;  
FIG. 7 is a rear elevational view thereof;  
FIG. 8 is a front elevational view thereof; and,  
FIG. 9 is a front, right side, top perspective view shown with the card box portion in an opened position.  
The broken lines shown in FIGS. 4 and 9 depict portions of the toy that form no part of the claimed design. The broken lines immediately adjacent to the card box perimeter in FIG. 9 and the perimeter of each broken line region in FIG. 4 further serve to define the bounds of the claim.

**1 Claim, 9 Drawing Sheets**



(56)

**References Cited**

U.S. PATENT DOCUMENTS

D304,044 S \* 10/1989 Rudell ..... D21/478  
 4,896,889 A \* 1/1990 Kuhn ..... A63F 1/10  
 273/150  
 4,927,150 A \* 5/1990 Monoyios ..... A63F 9/0807  
 273/153 S  
 5,120,226 A \* 6/1992 Tsai ..... A63F 3/0415  
 434/195  
 5,338,041 A \* 8/1994 Jones ..... A63F 3/02  
 273/259  
 D395,468 S \* 6/1998 Wagner ..... D21/478  
 6,116,599 A \* 9/2000 Nelson ..... A63F 9/0807  
 273/153 S  
 6,171,110 B1 \* 1/2001 Chang ..... G09B 1/28  
 434/159  
 D448,051 S \* 9/2001 Wilkinson ..... D21/338  
 D605,234 S \* 12/2009 Agbor ..... D21/478  
 D864,304 S \* 10/2019 Macadam ..... D21/337

10,463,951 B1 \* 11/2019 Su ..... A63F 9/06  
 2004/0124584 A1 \* 7/2004 Ioannis ..... A63F 3/02  
 273/287  
 2005/0227573 A1 \* 10/2005 Lin ..... A63F 9/06  
 446/85  
 2009/0230625 A1 \* 9/2009 Clutterbuck ..... A63F 3/02  
 273/287  
 2013/0099446 A1 \* 4/2013 Benedict, III ..... A63F 3/0023  
 273/242  
 2014/0131945 A1 \* 5/2014 McClung, III ..... A63F 3/0423  
 273/272

FOREIGN PATENT DOCUMENTS

FR 2513530 A2 \* 4/1983  
 FR 2686522 A3 \* 7/1993  
 WO WO-2009102224 A1 \* 8/2009  
 WO WO-2014027743 A1 \* 2/2014

\* cited by examiner

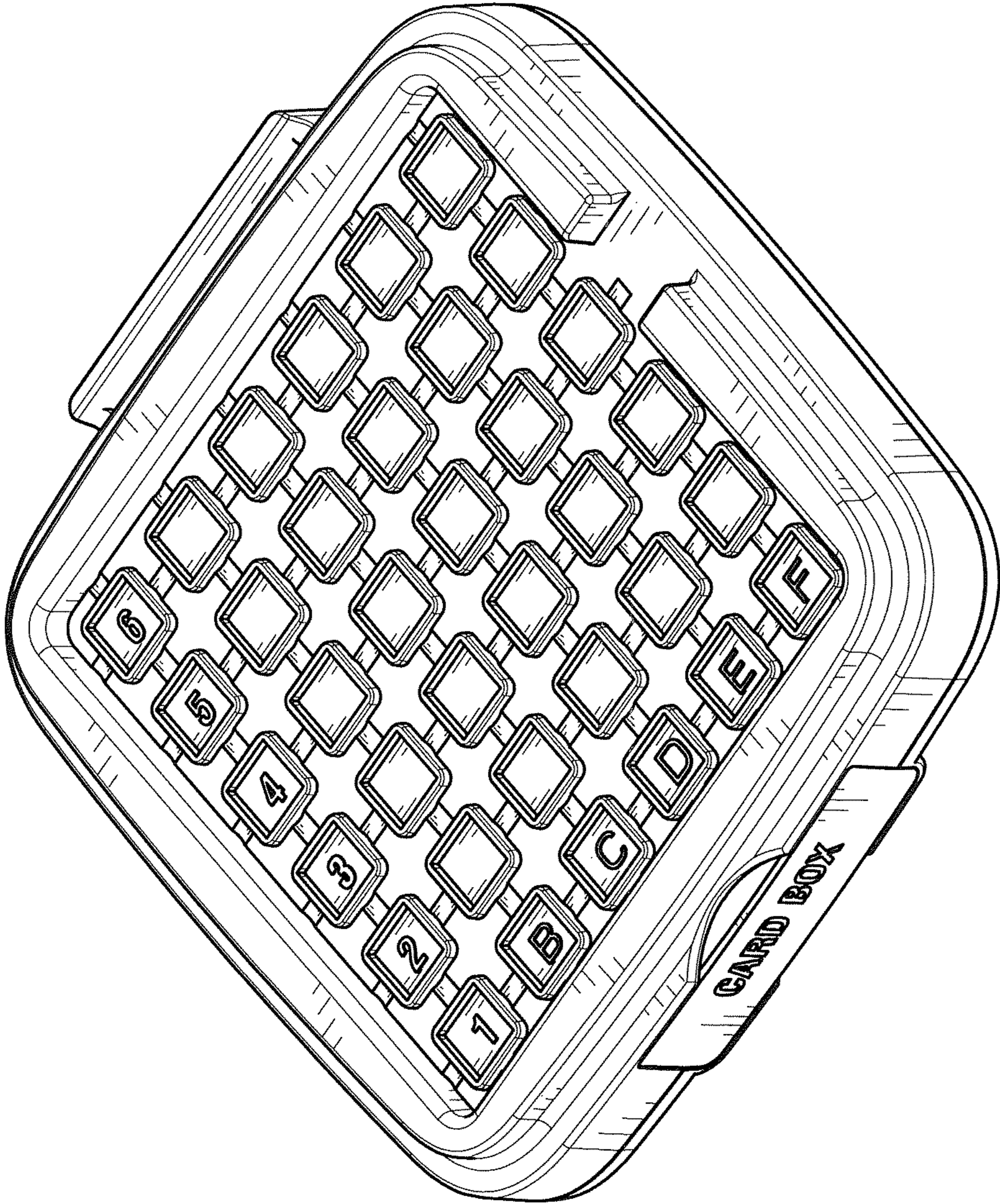


FIG. 1

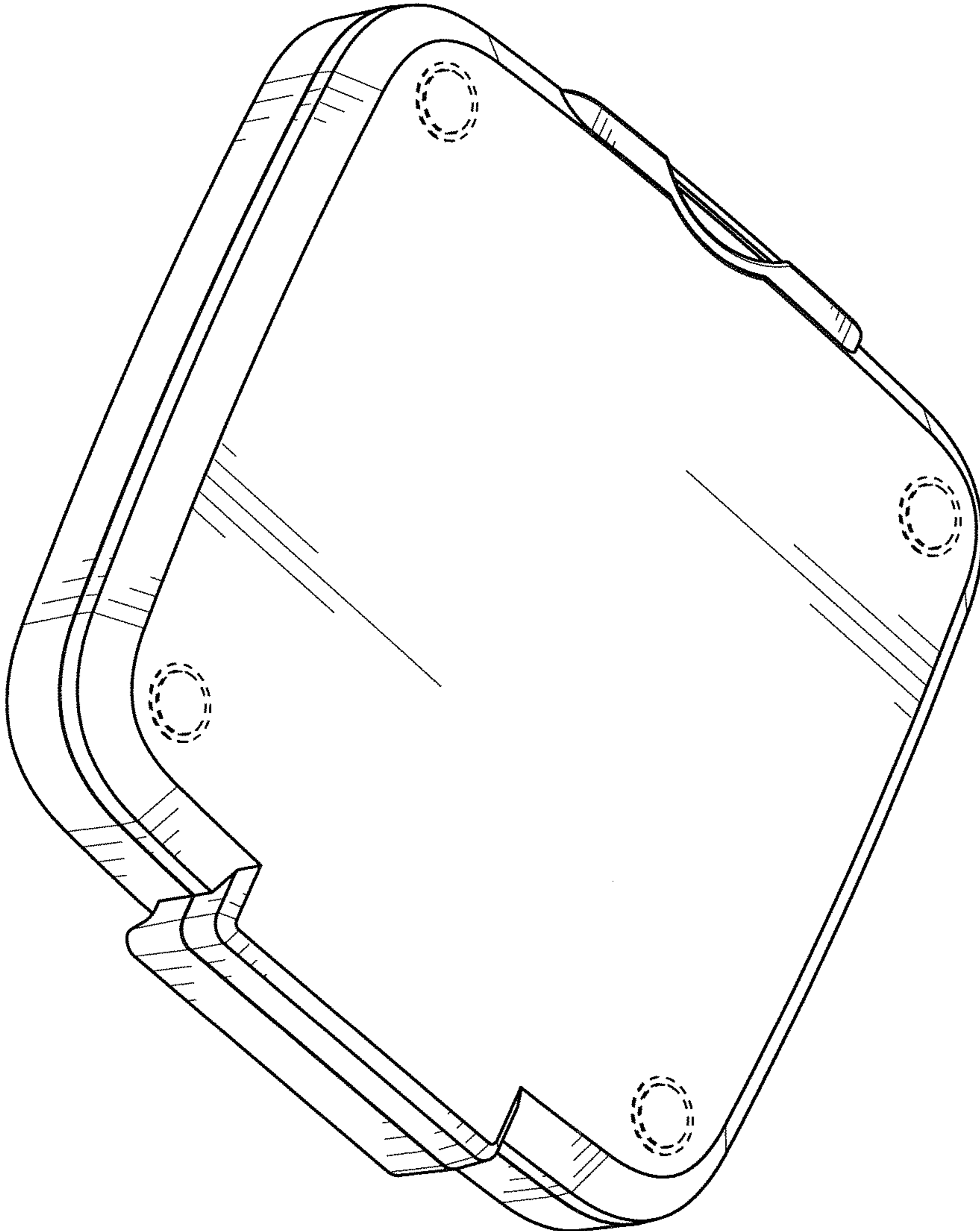


FIG. 2

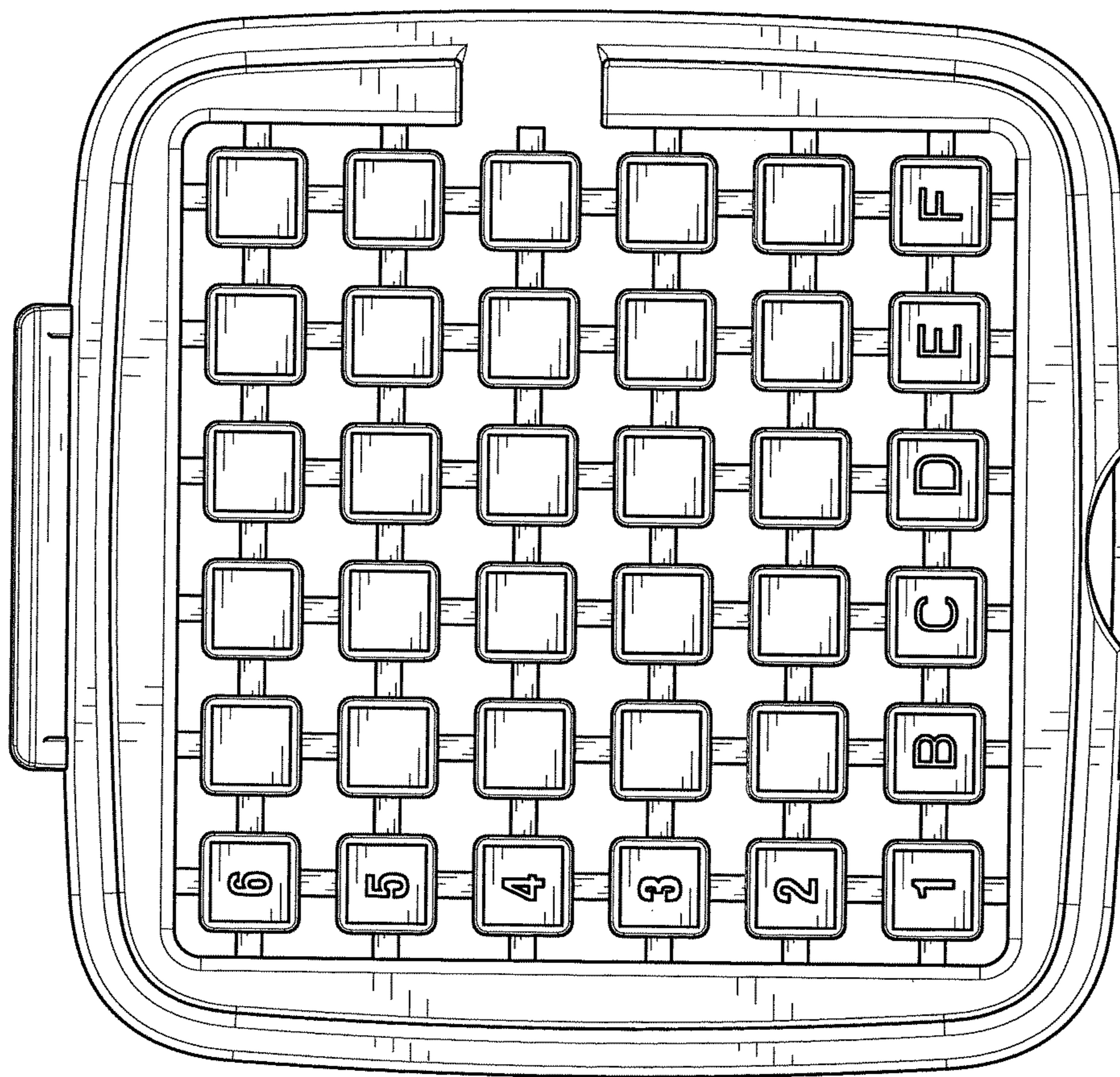


FIG. 3

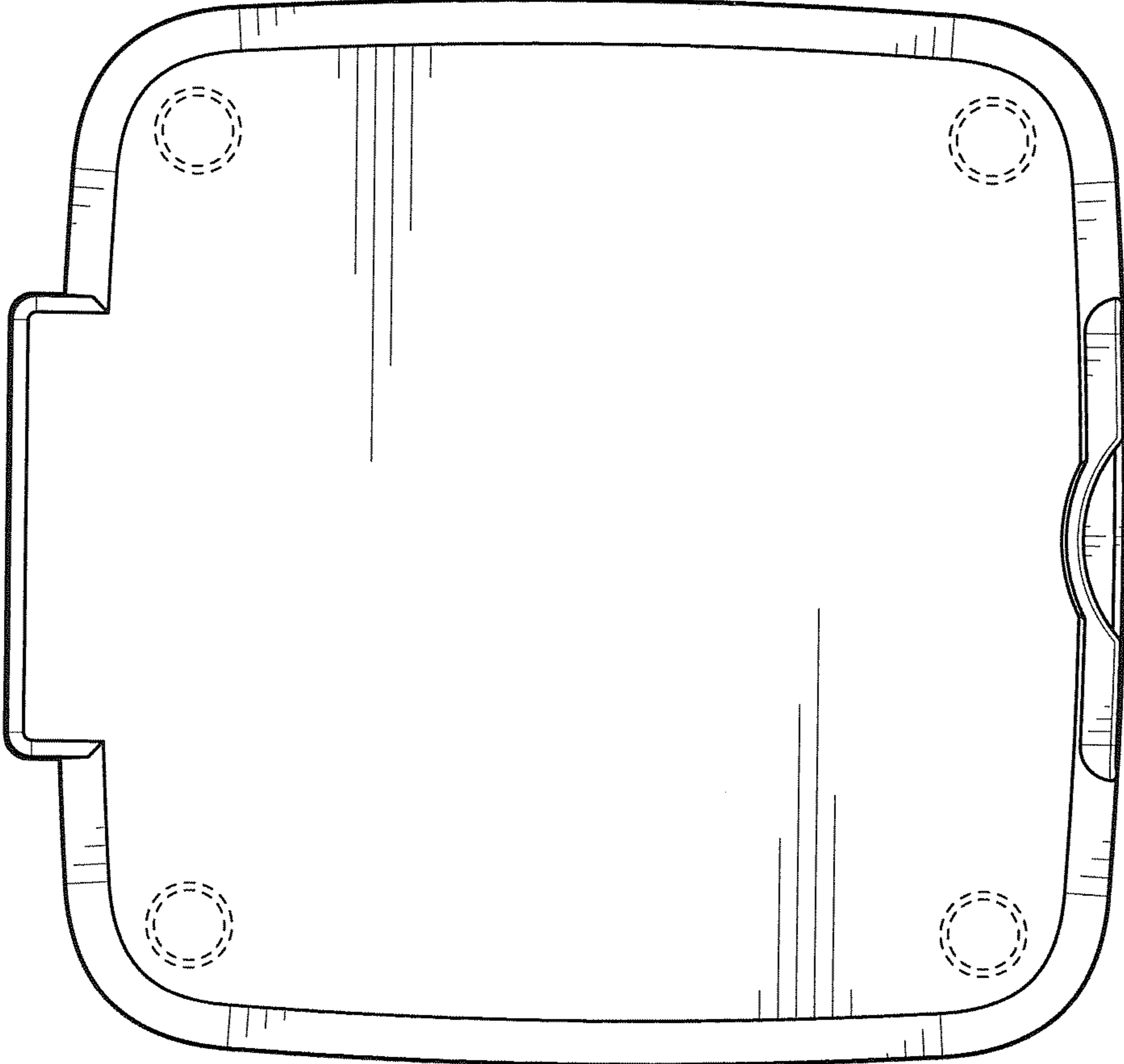


FIG. 4

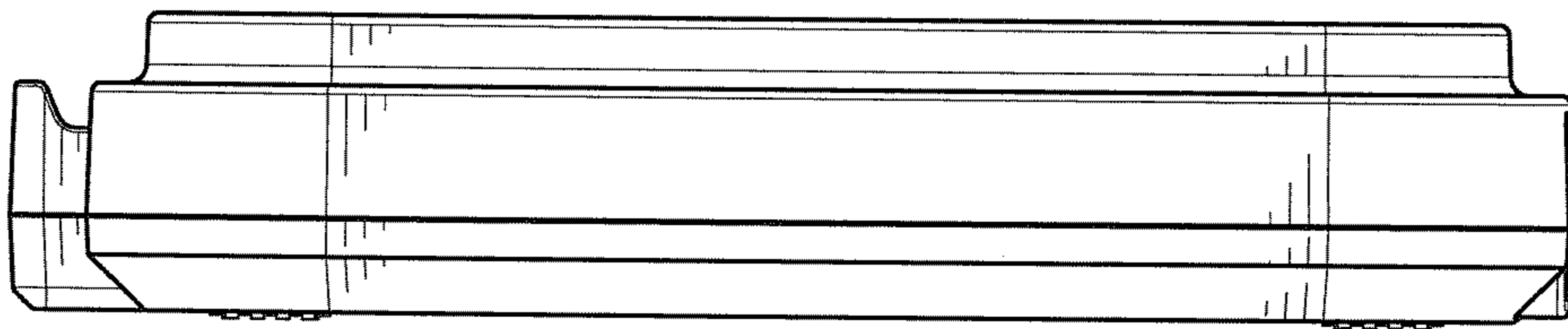


FIG. 5

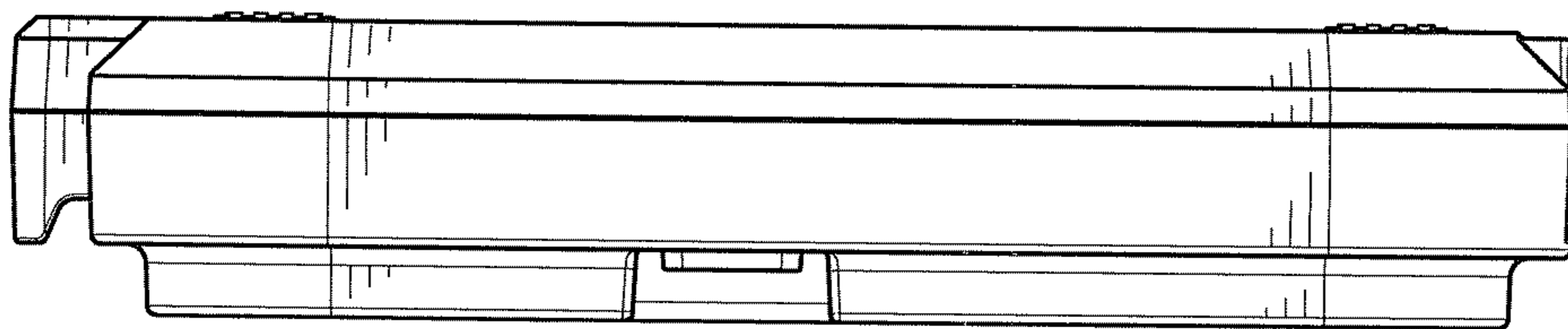


FIG. 6



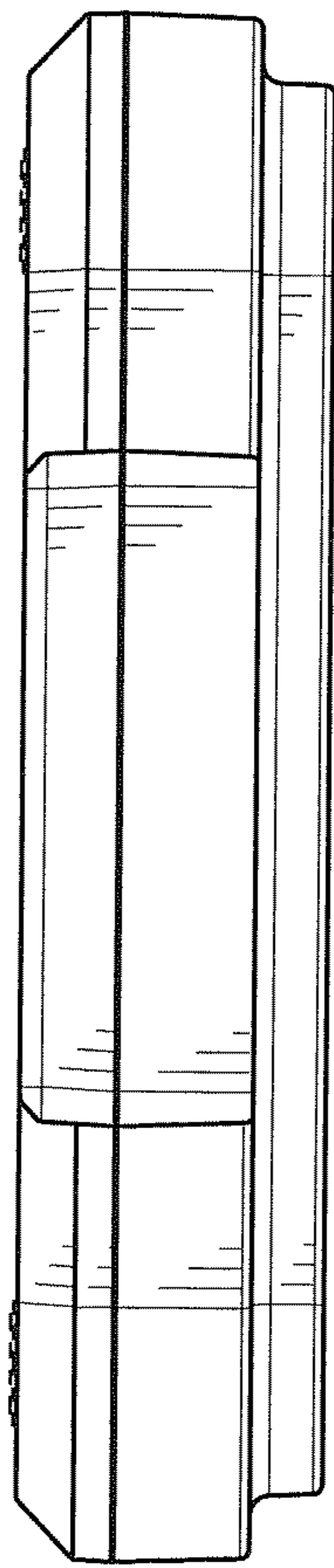


FIG. 7

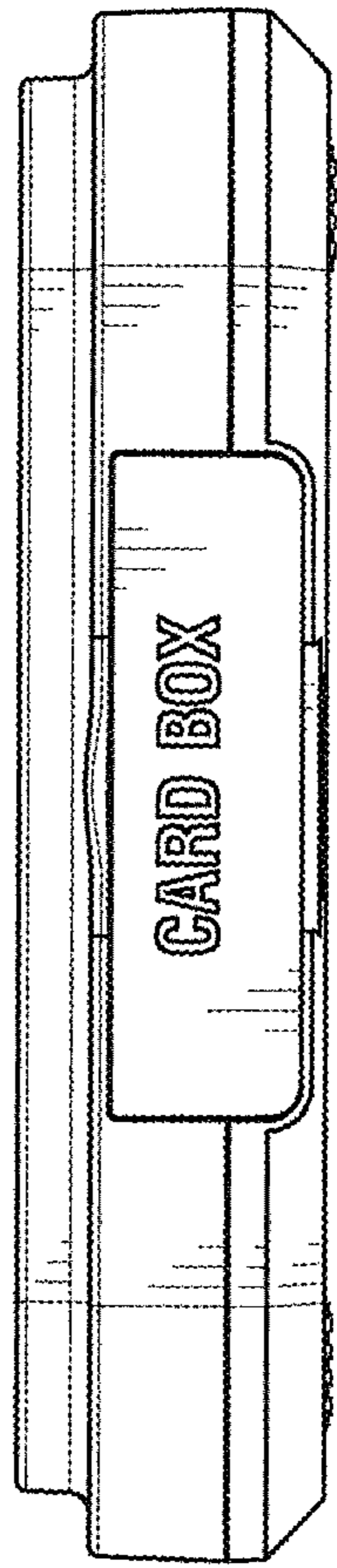


FIG. 8

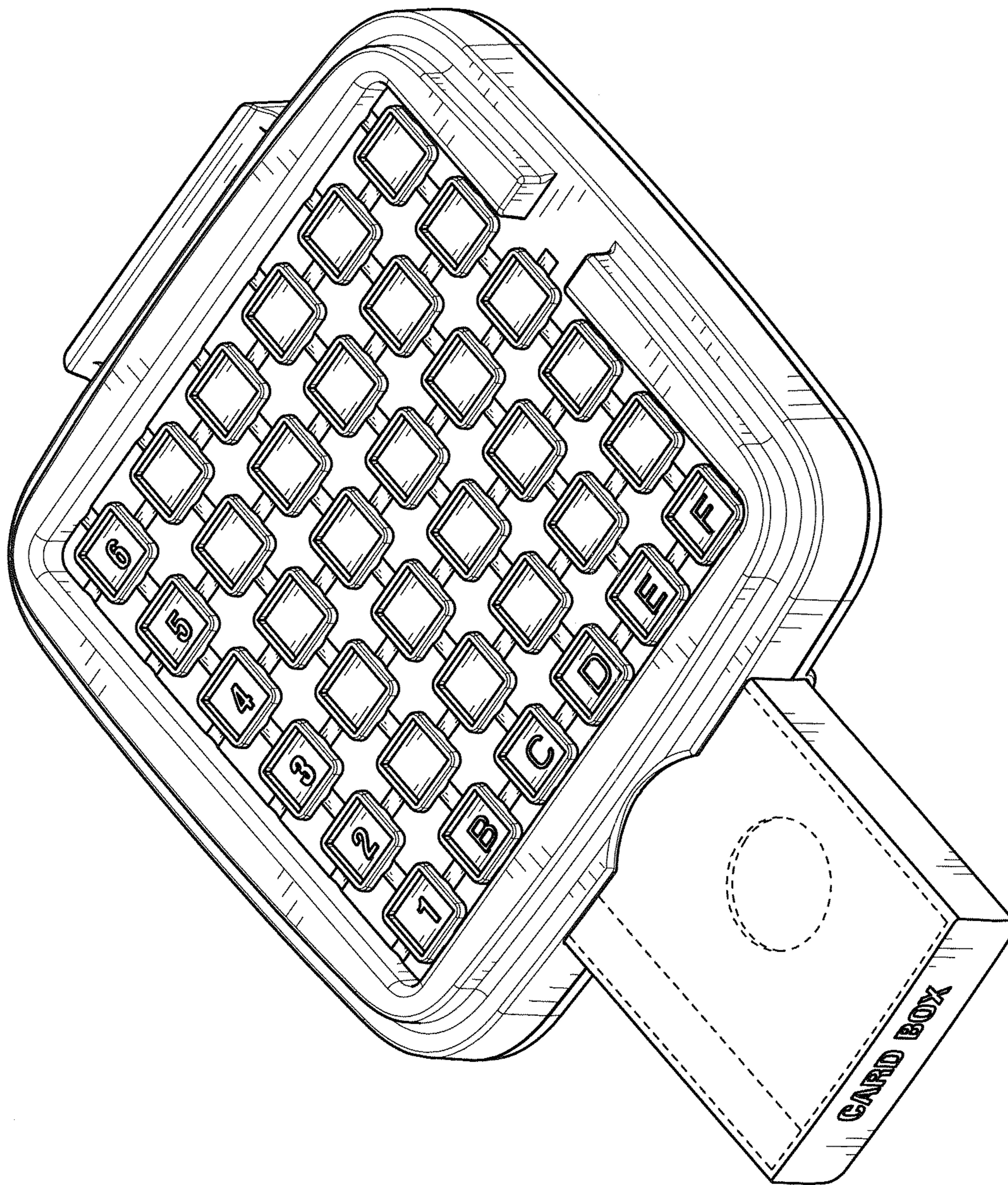


FIG. 9