



US00D897448S

(12) **United States Design Patent** (10) **Patent No.:** **US D897,448 S**
Gillenwater (45) **Date of Patent:** **** Sep. 29, 2020**

(54) **BIPLANE TOY**
(71) Applicant: **Jill Kiplyn Gillenwater**, Cathedral City, CA (US)
(72) Inventor: **Jill Kiplyn Gillenwater**, Cathedral City, CA (US)
(**) Term: **15 Years**
(21) Appl. No.: **29/693,418**
(22) Filed: **Jun. 3, 2019**
(51) **LOC (12) Cl.** **21-07**
(52) **U.S. Cl.**
USPC **D21/447**
(58) **Field of Classification Search**
USPC D12/1-4, 16.1, 319-345; D21/301, 436, D21/441, 442, 443, 444, 447, 448, 449, D21/450, 451, 452, 453, 454, 455
CPC B64C 39/024; B64C 2201/108; B64C 2201/141; B64C 2201/024
See application file for complete search history.

D320,421 S * 10/1991 Harris D21/450
D336,664 S * 6/1993 Uchida D21/450
D345,587 S * 3/1994 Berggreen D21/450
D413,970 S * 9/1999 Chen D12/344
D431,862 S * 10/2000 Chen D23/367
D588,807 S * 3/2009 Azman D19/80
D613,202 S * 4/2010 Rodriquez D12/3
D827,039 S * 8/2018 Lim D21/447
D845,169 S * 4/2019 Cui D12/16.1
10,618,627 B2 * 4/2020 Hefner B64C 5/02

* cited by examiner

Primary Examiner — Marissa J Cash

(74) *Attorney, Agent, or Firm* — Mestechkin Law Group P.C.

(57) **CLAIM**

The ornamental design for a biplane toy, as shown and described.

DESCRIPTION

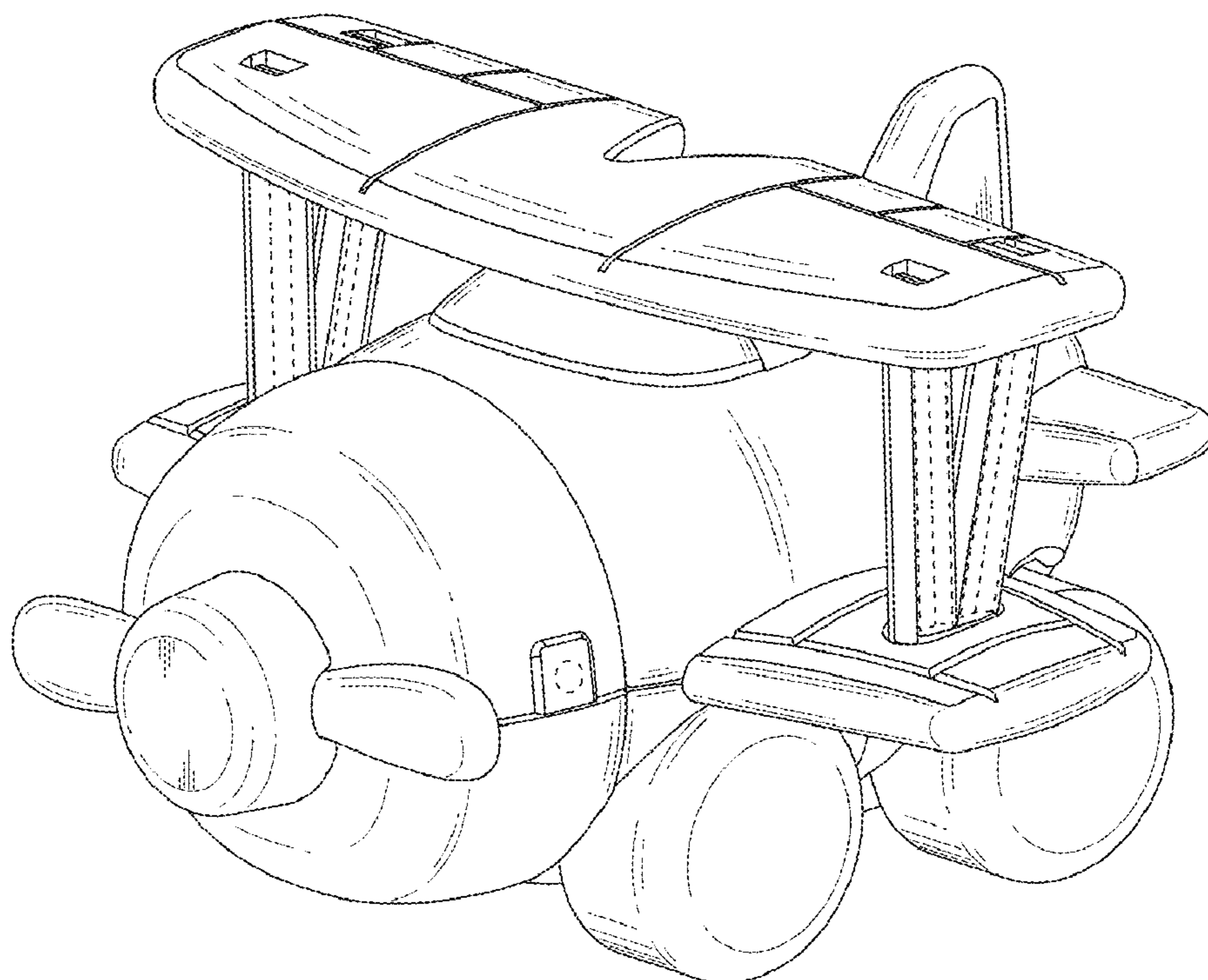
FIG. 1 is a top front isometric view of a biplane toy showing my new design;
FIG. 2 is a bottom rear isometric view thereof;
FIG. 3 is a front view thereof;
FIG. 4 is a rear view thereof;
FIG. 5 is a left view thereof;
FIG. 6 is a right view thereof;
FIG. 7 is a top view thereof; and,
FIG. 8 is a bottom view thereof.
In the drawings, the broken lines depict portions of the biplane toy that form no part of the claimed design.

1 Claim, 6 Drawing Sheets

(56) **References Cited**

U.S. PATENT DOCUMENTS

D257,863 S * 1/1981 Enzman D21/450
D265,574 S * 7/1982 Nagode D21/450
D265,841 S * 8/1982 Tung D21/450
D266,441 S * 10/1982 Appel D21/450
D267,501 S * 1/1983 Tabata D21/450
4,889,514 A * 12/1989 Auer A63H 17/00
446/230
D308,281 S * 6/1990 Bergman D2/978
D316,883 S * 5/1991 Doles D21/442



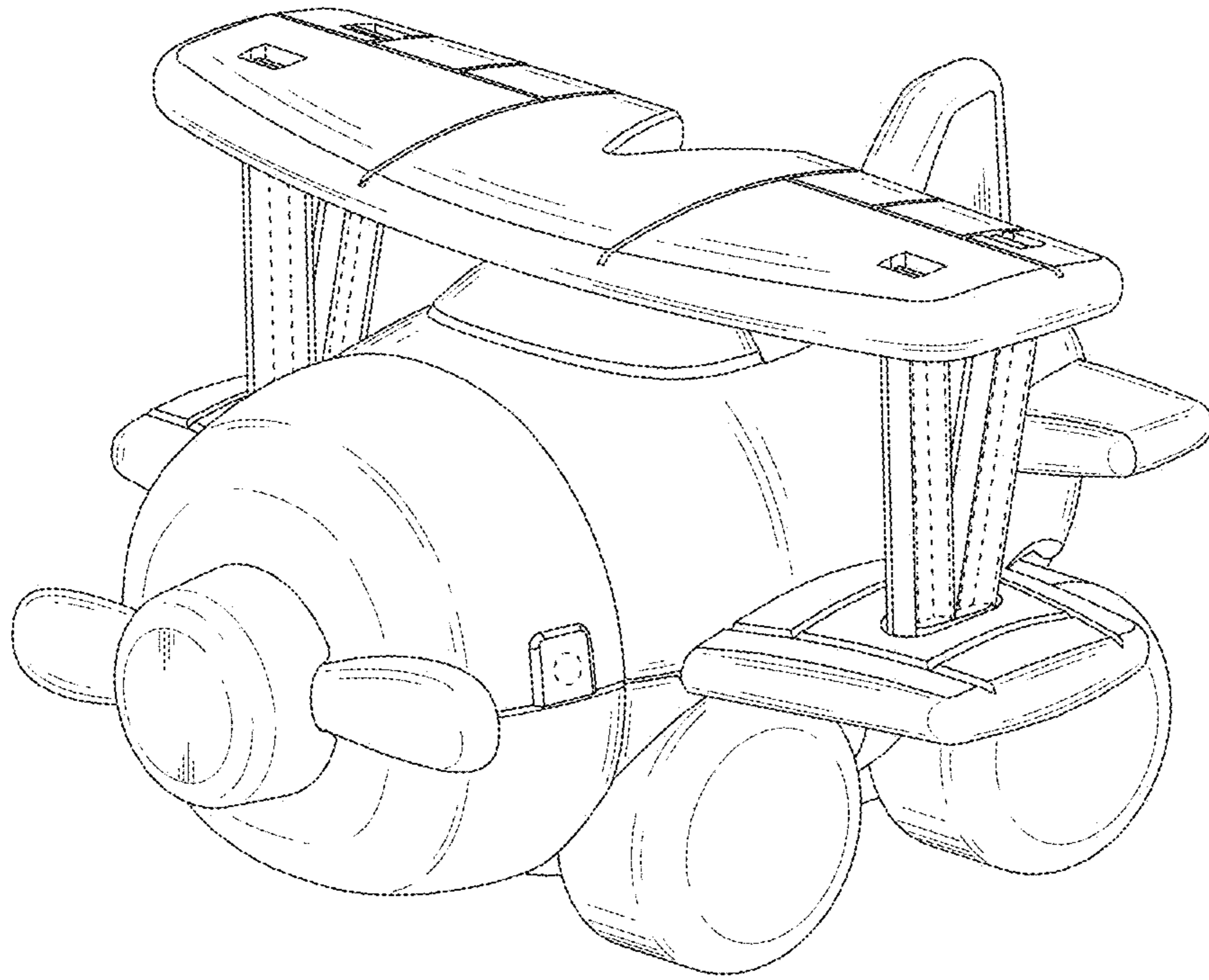


FIG. 1

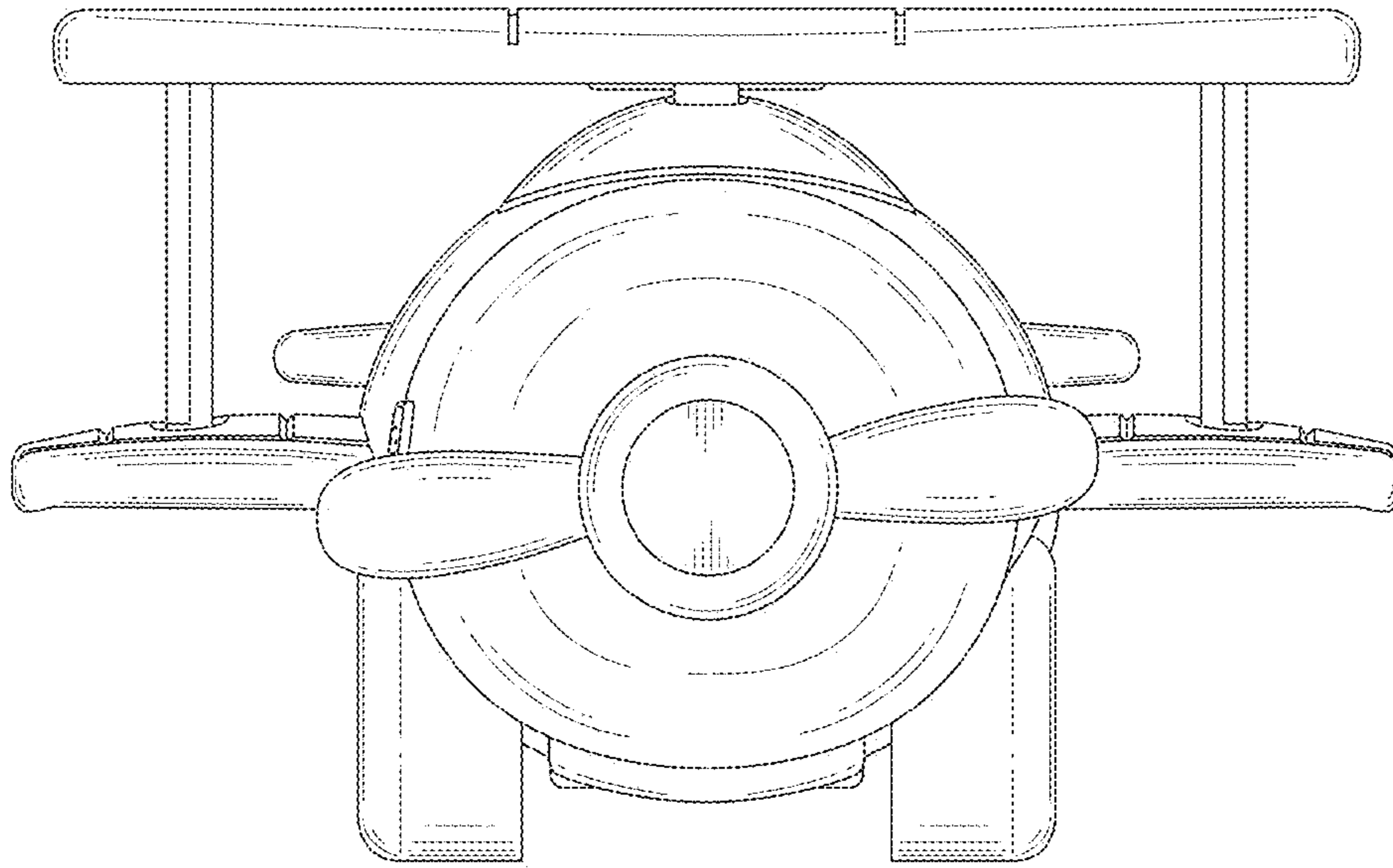


FIG. 3

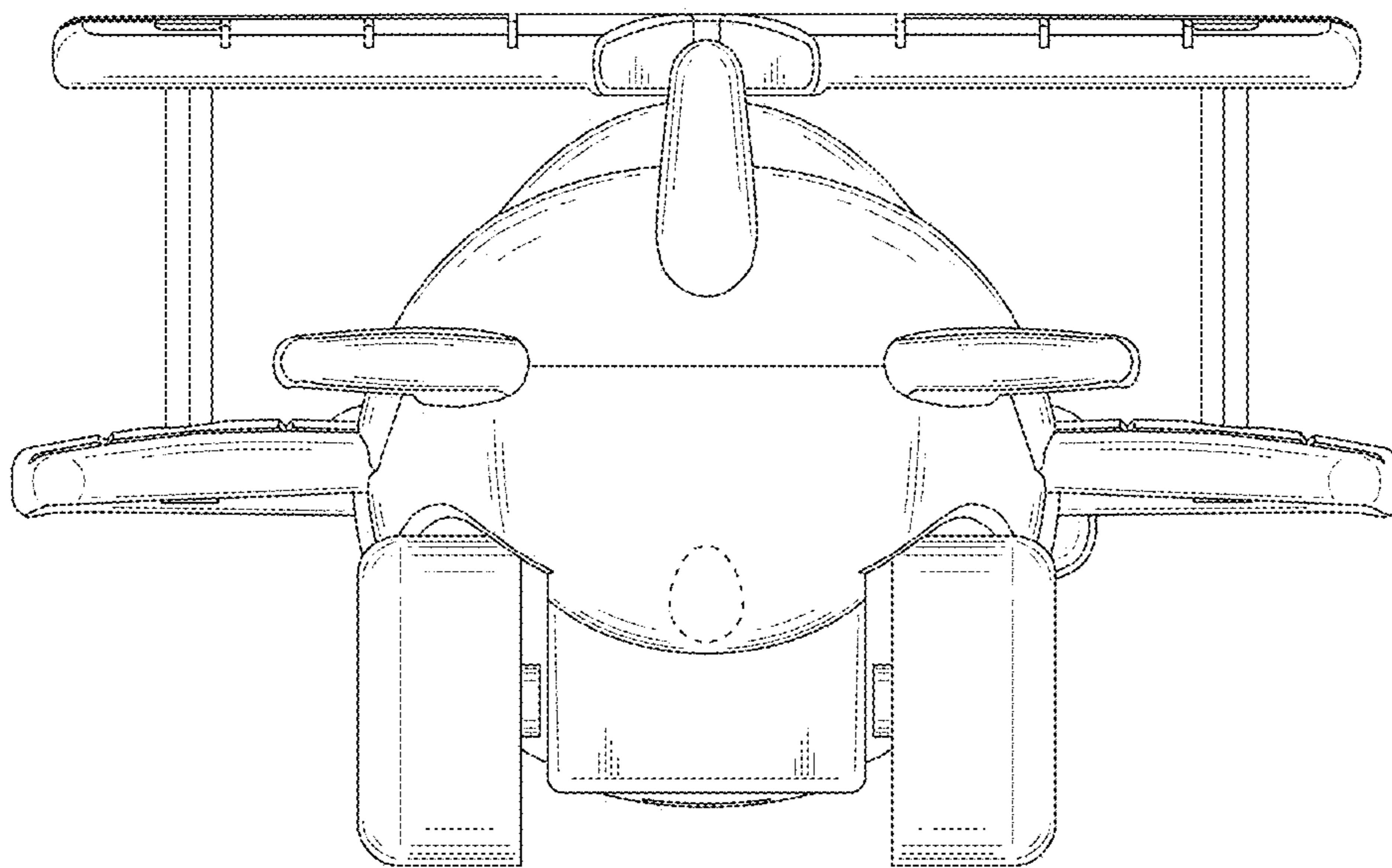


FIG. 4

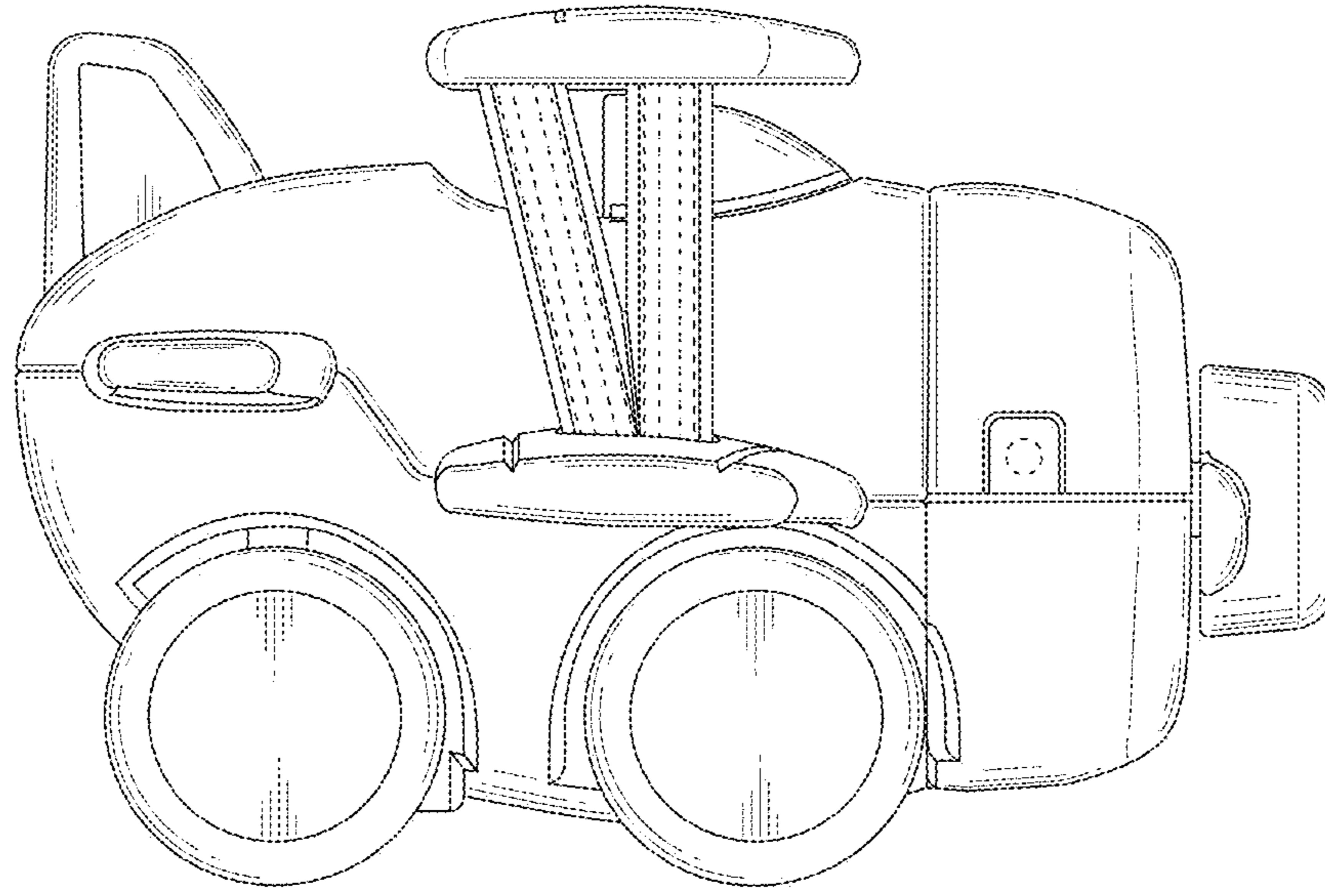


FIG. 5

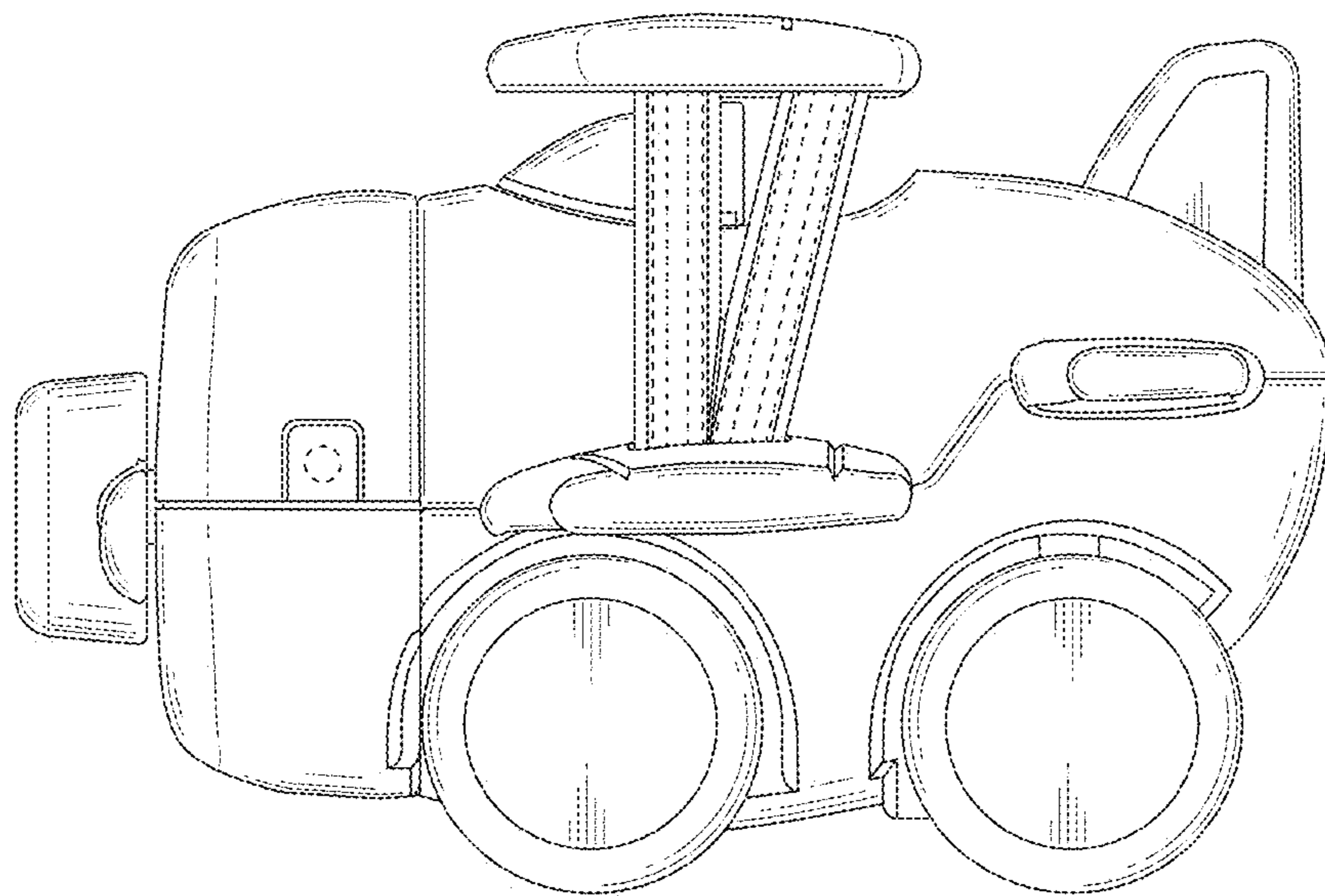


FIG. 6

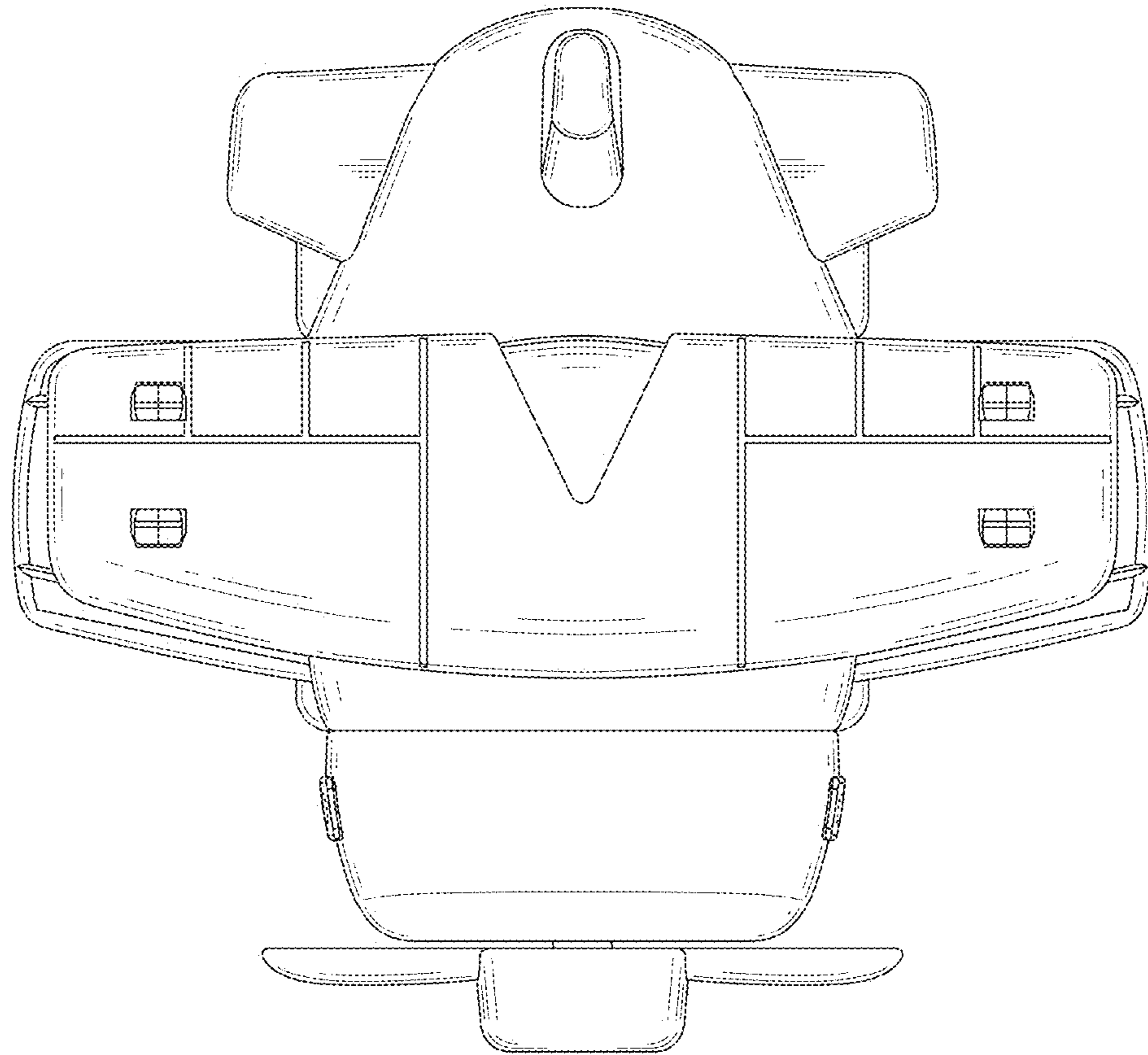


FIG. 7

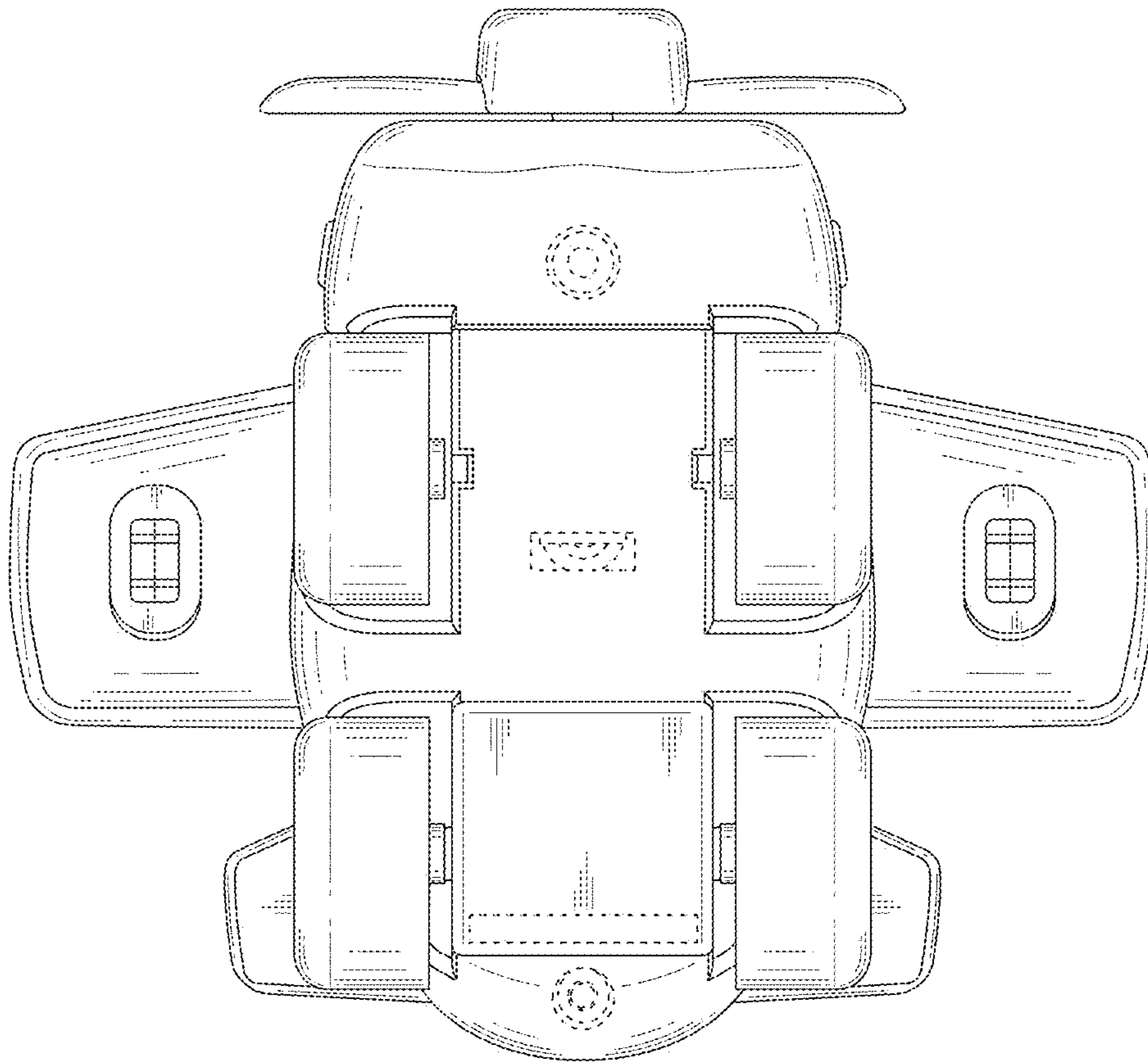


FIG. 8