



US00D897447S

(12) **United States Design Patent** (10) **Patent No.:** **US D897,447 S**  
**Gillenwater** (45) **Date of Patent:** **\*\* Sep. 29, 2020**

(54) **MONOPLANE TOY**

(71) Applicant: **Jill Kiplyn Gillenwater**, Cathedral City, CA (US)

(72) Inventor: **Jill Kiplyn Gillenwater**, Cathedral City, CA (US)

(\*\*) Term: **15 Years**

(21) Appl. No.: **29/693,414**

(22) Filed: **Jun. 3, 2019**

(51) **LOC (12) Cl.** ..... **21-07**

(52) **U.S. Cl.**  
 USPC ..... **D21/447**

(58) **Field of Classification Search**  
 USPC ..... D12/1-4, 16.1, 319-345; D21/301, 436, D21/441, 442, 443, 444, 447, 448, 449, D21/450, 451, 452, 453, 454, 455  
 CPC ..... B64C 39/024; B64C 2201/108; B64C 2201/141; B64C 2201/024  
 See application file for complete search history.

D320,421 S \* 10/1991 Harris ..... D21/450  
 D336,664 S \* 6/1993 Uchida ..... D21/450  
 D345,587 S \* 3/1994 Berggreen ..... D21/450  
 D413,970 S \* 9/1999 Chen ..... D12/344  
 D431,862 S \* 10/2000 Chen ..... D23/367  
 D588,807 S \* 3/2009 Azman ..... D19/80  
 D613,202 S \* 4/2010 Rodriquez ..... D12/3  
 D827,039 S \* 8/2018 Lim ..... D21/447  
 D845,169 S \* 4/2019 Cui ..... D12/16.1  
 10,618,627 B2 \* 4/2020 Hefner ..... B64C 5/02

\* cited by examiner

*Primary Examiner* — Marissa J Cash  
 (74) *Attorney, Agent, or Firm* — Mestechkin Law Group P.C.

(57) **CLAIM**

The ornamental design for a monoplane toy, as shown and described.

**DESCRIPTION**

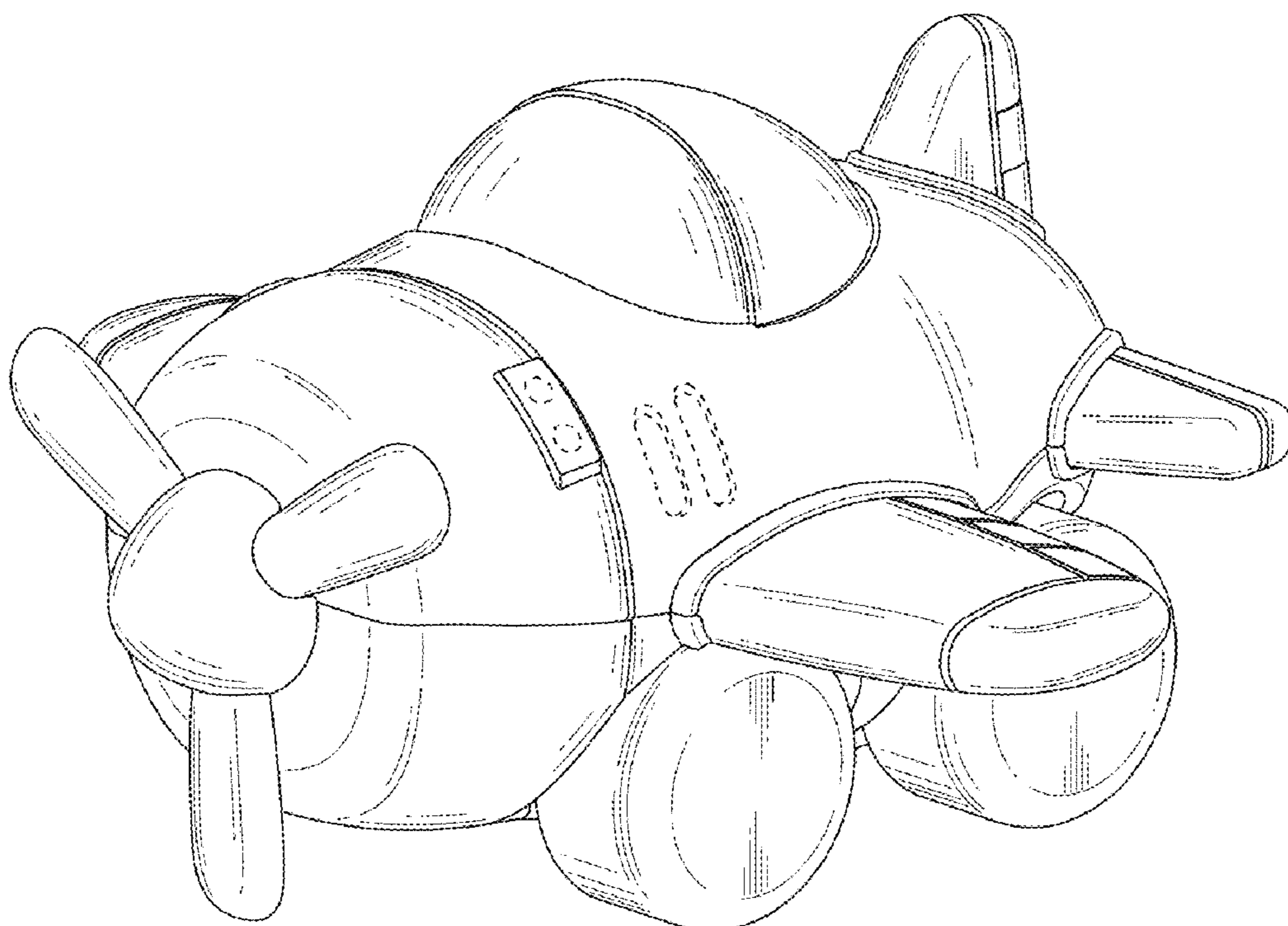
FIG. 1 is a top front isometric view of a monoplane toy showing my new design;  
 FIG. 2 is a bottom rear isometric view thereof;  
 FIG. 3 is a front view thereof;  
 FIG. 4 is a rear view thereof;  
 FIG. 5 is a left view thereof;  
 FIG. 6 is a right view thereof;  
 FIG. 7 is a top view thereof; and,  
 FIG. 8 is a bottom view thereof.  
 In the drawings, the broken lines depict portions of the monoplane toy that form no part of the claimed design.

**1 Claim, 6 Drawing Sheets**

(56) **References Cited**

U.S. PATENT DOCUMENTS

D257,863 S \* 1/1981 Enzman ..... D21/450  
 D265,574 S \* 7/1982 Nagode ..... D21/450  
 D265,841 S \* 8/1982 Tung ..... D21/450  
 D266,441 S \* 10/1982 Appel ..... D21/450  
 D267,501 S \* 1/1983 Tabata ..... D21/450  
 4,889,514 A \* 12/1989 Auer ..... A63H 17/00  
 446/230  
 D308,281 S \* 6/1990 Bergman ..... D2/978  
 D316,883 S \* 5/1991 Doles ..... D21/442



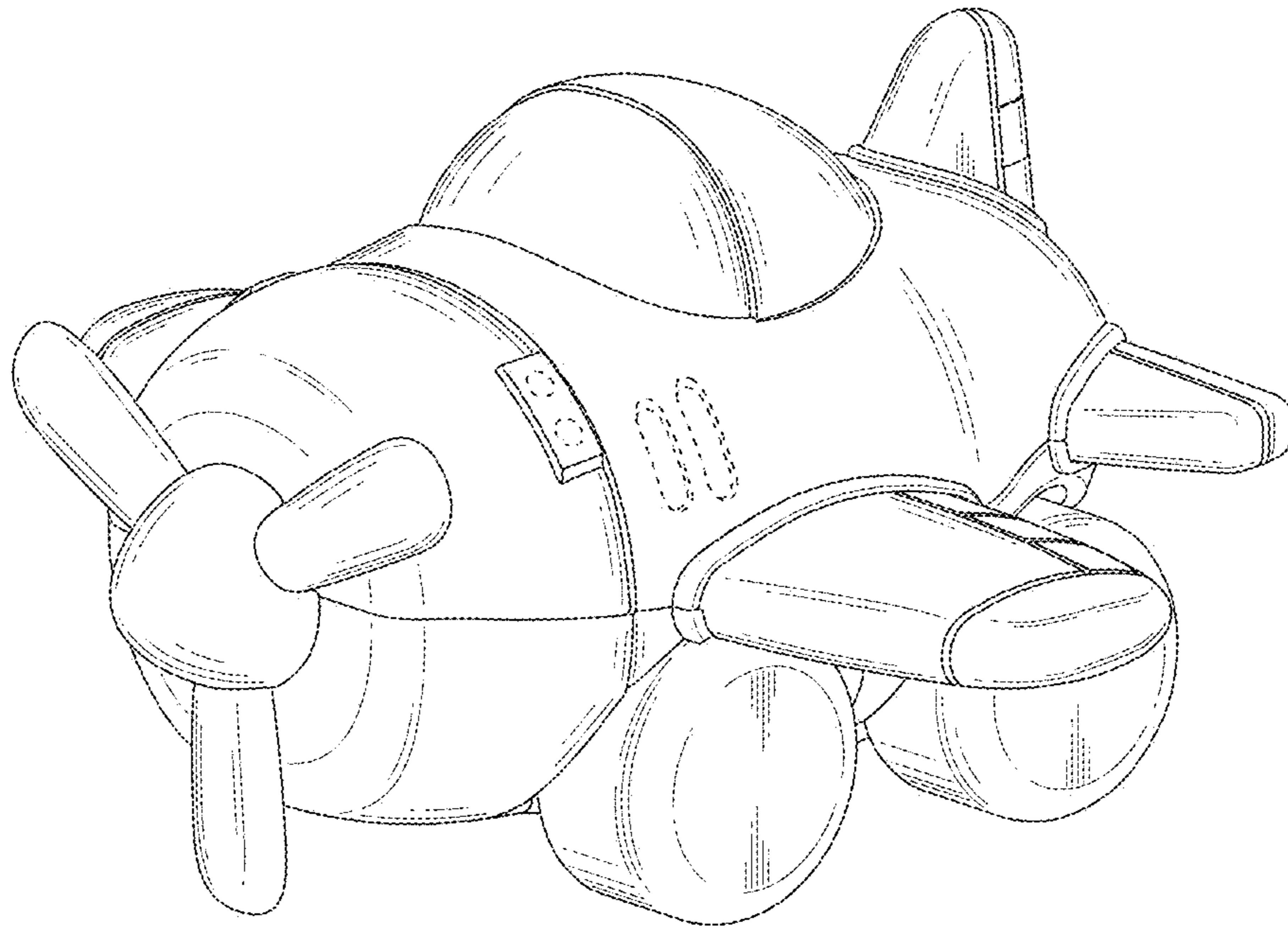


FIG. 1

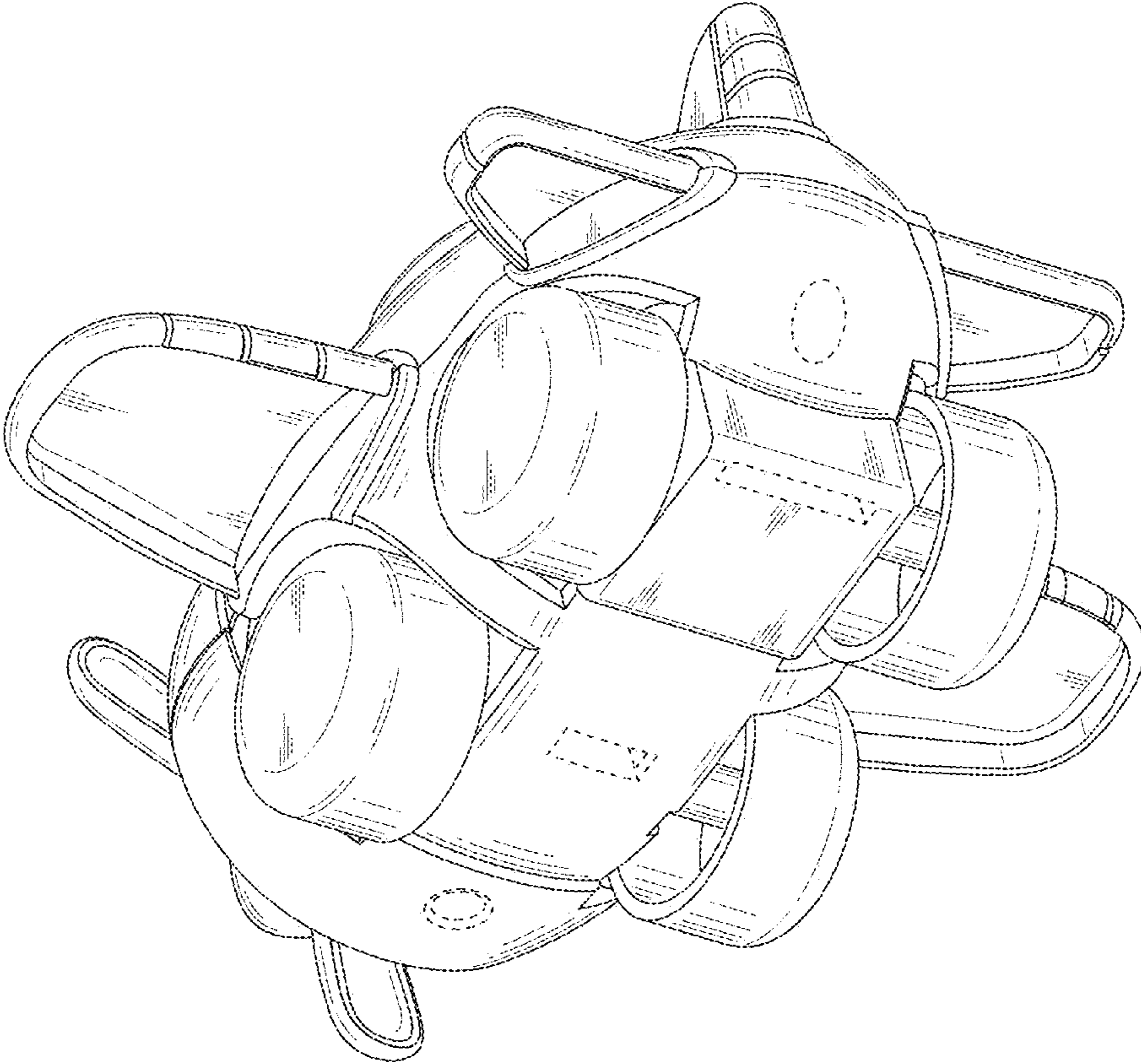


FIG. 2

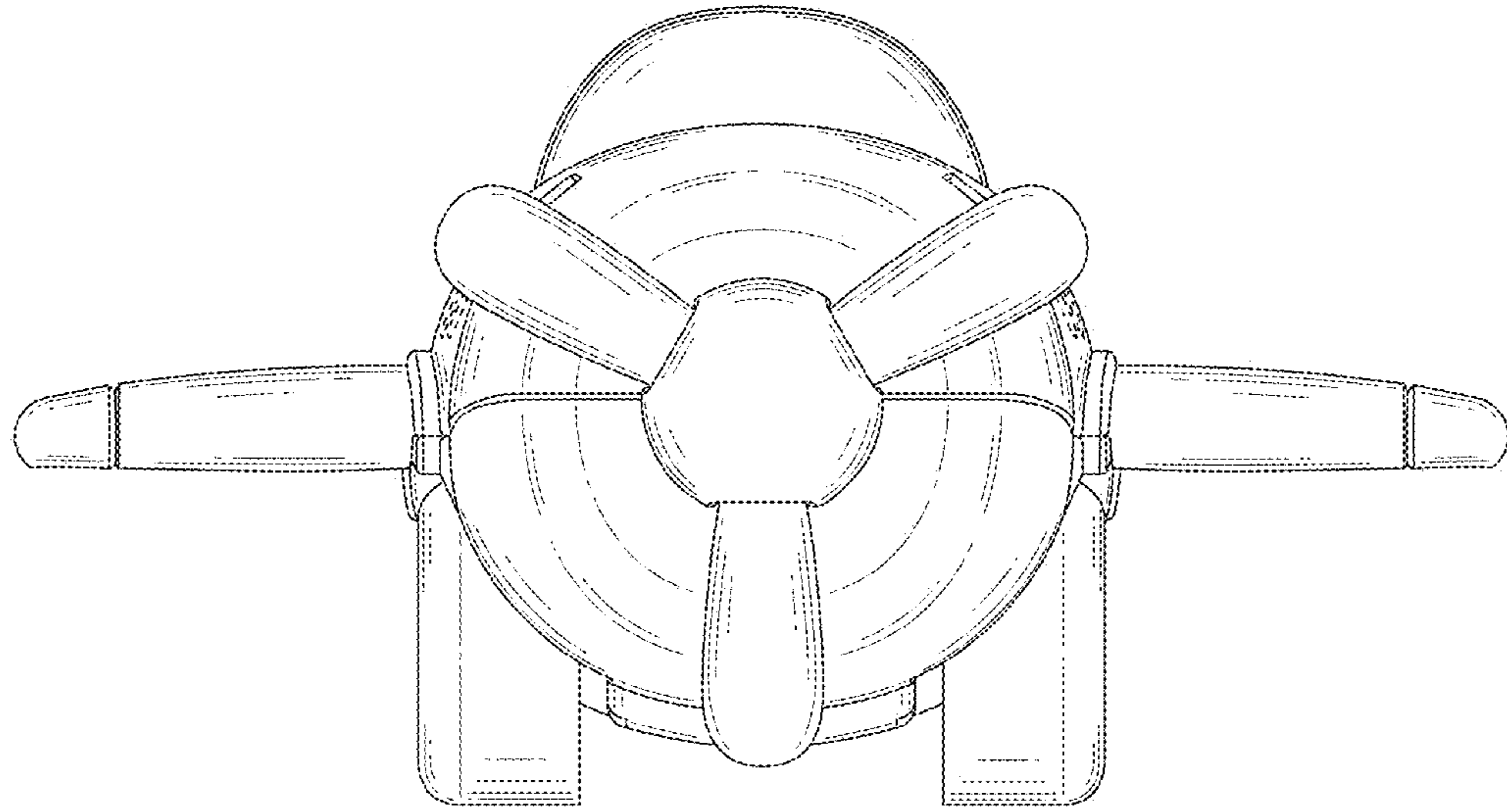


FIG. 3

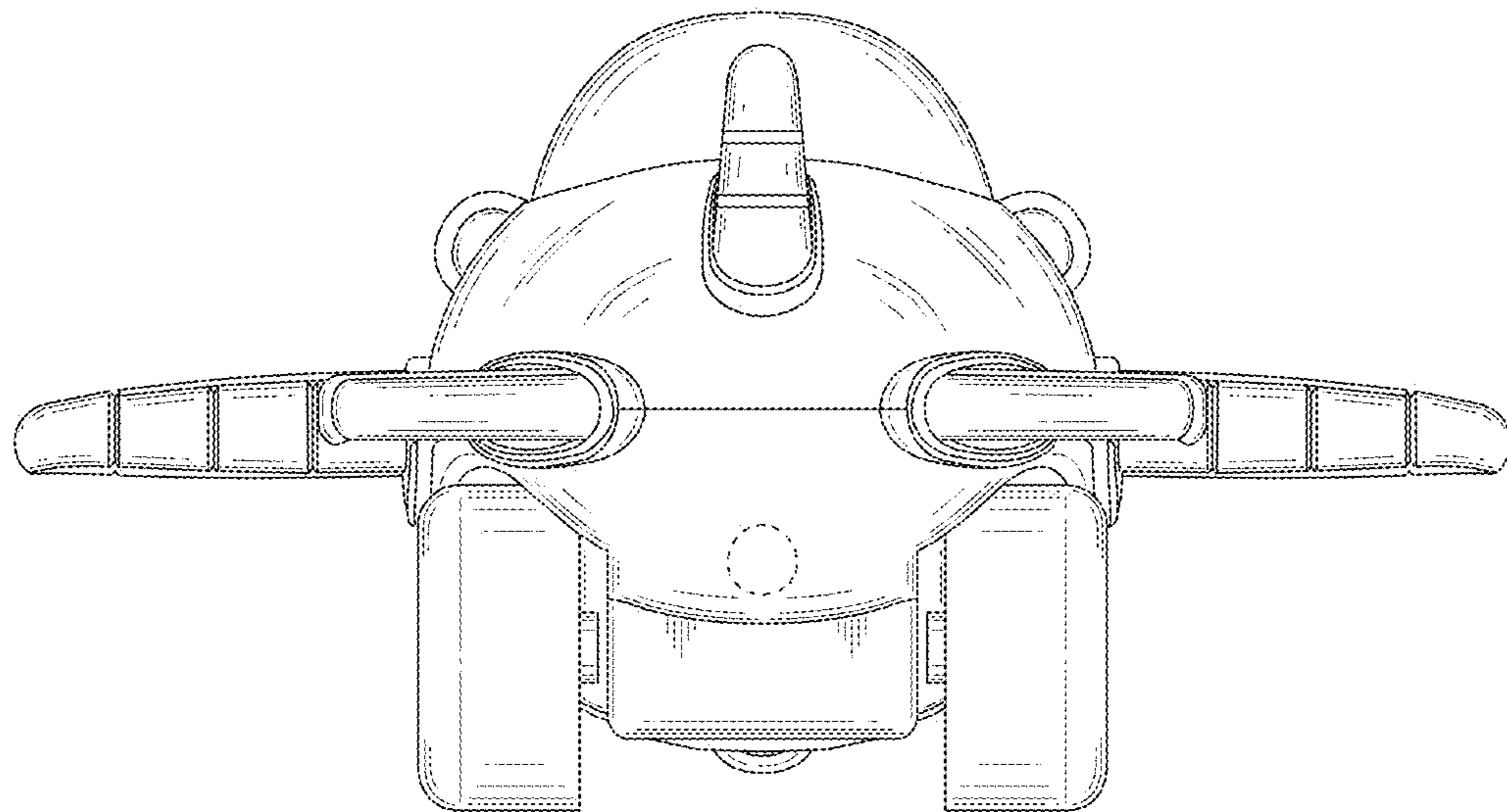


FIG. 4



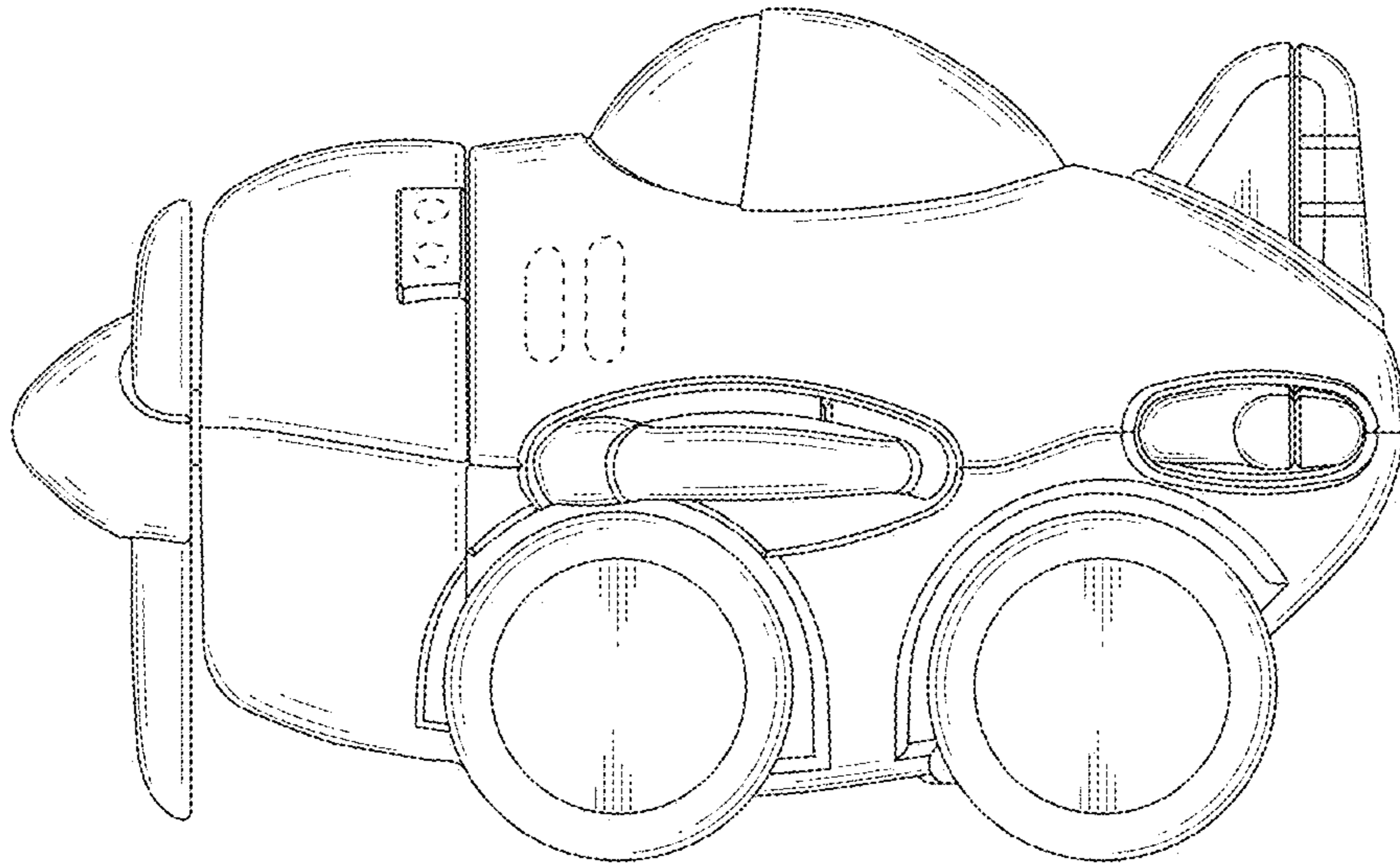


FIG. 5

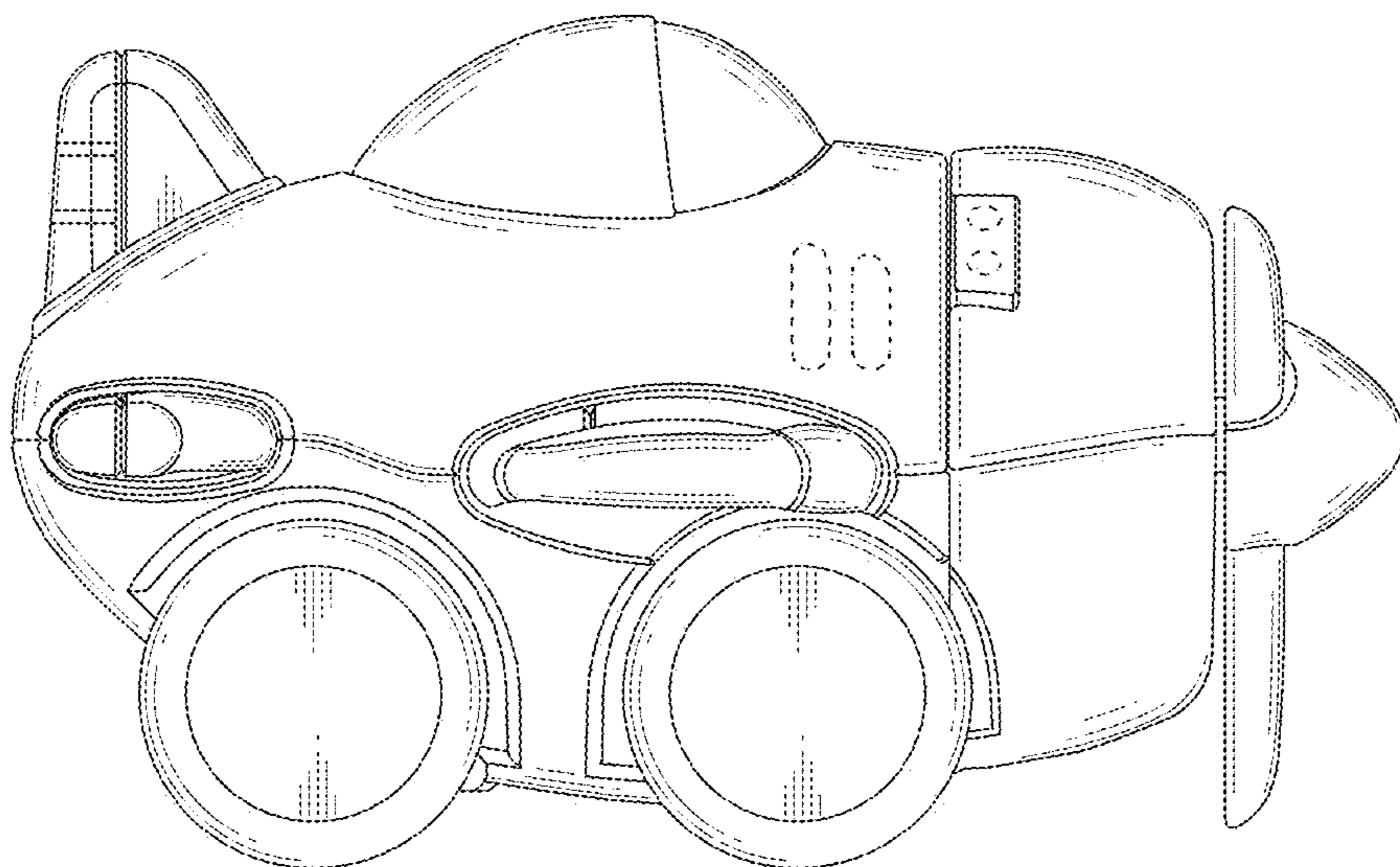


FIG. 6

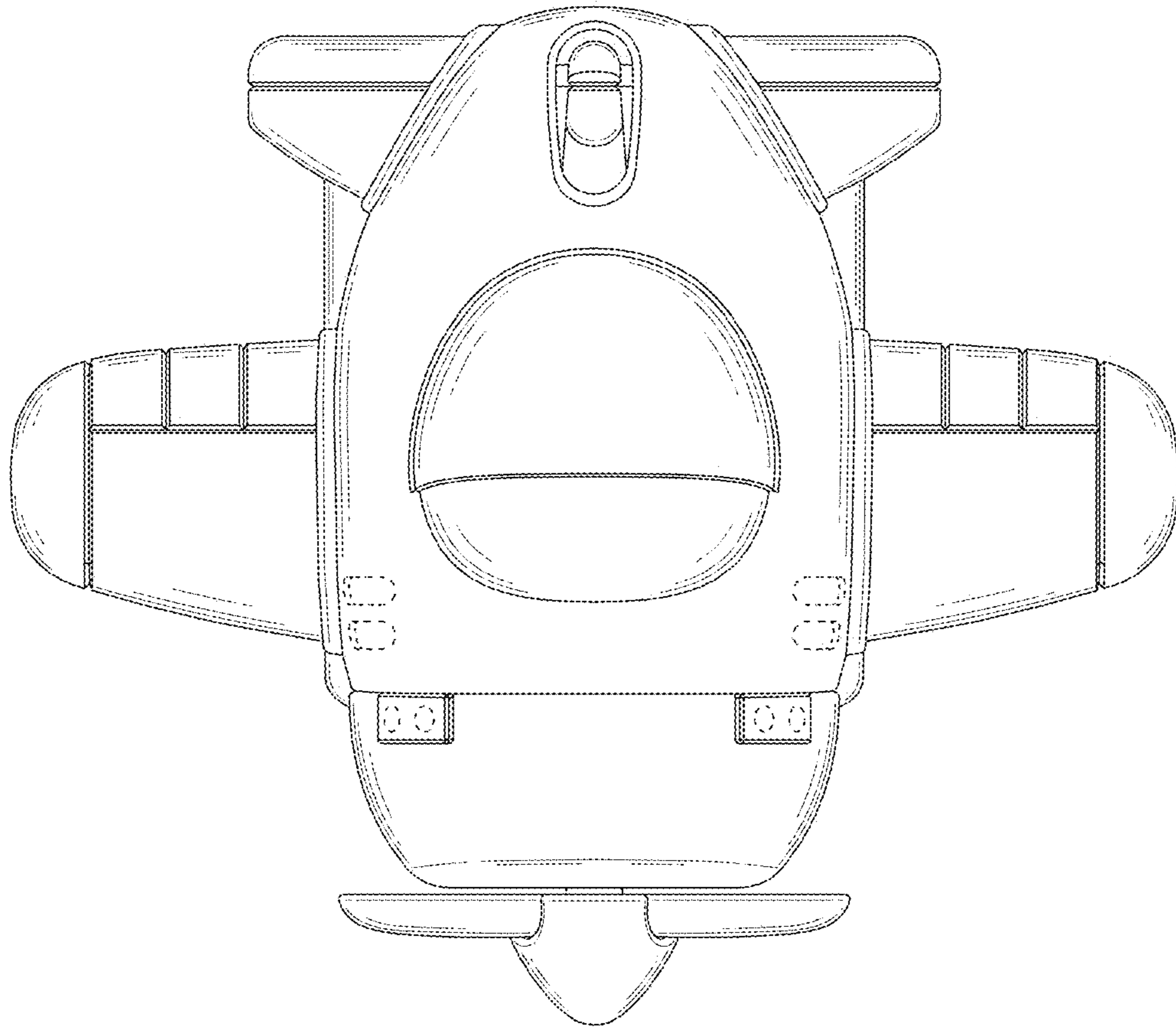


FIG. 7

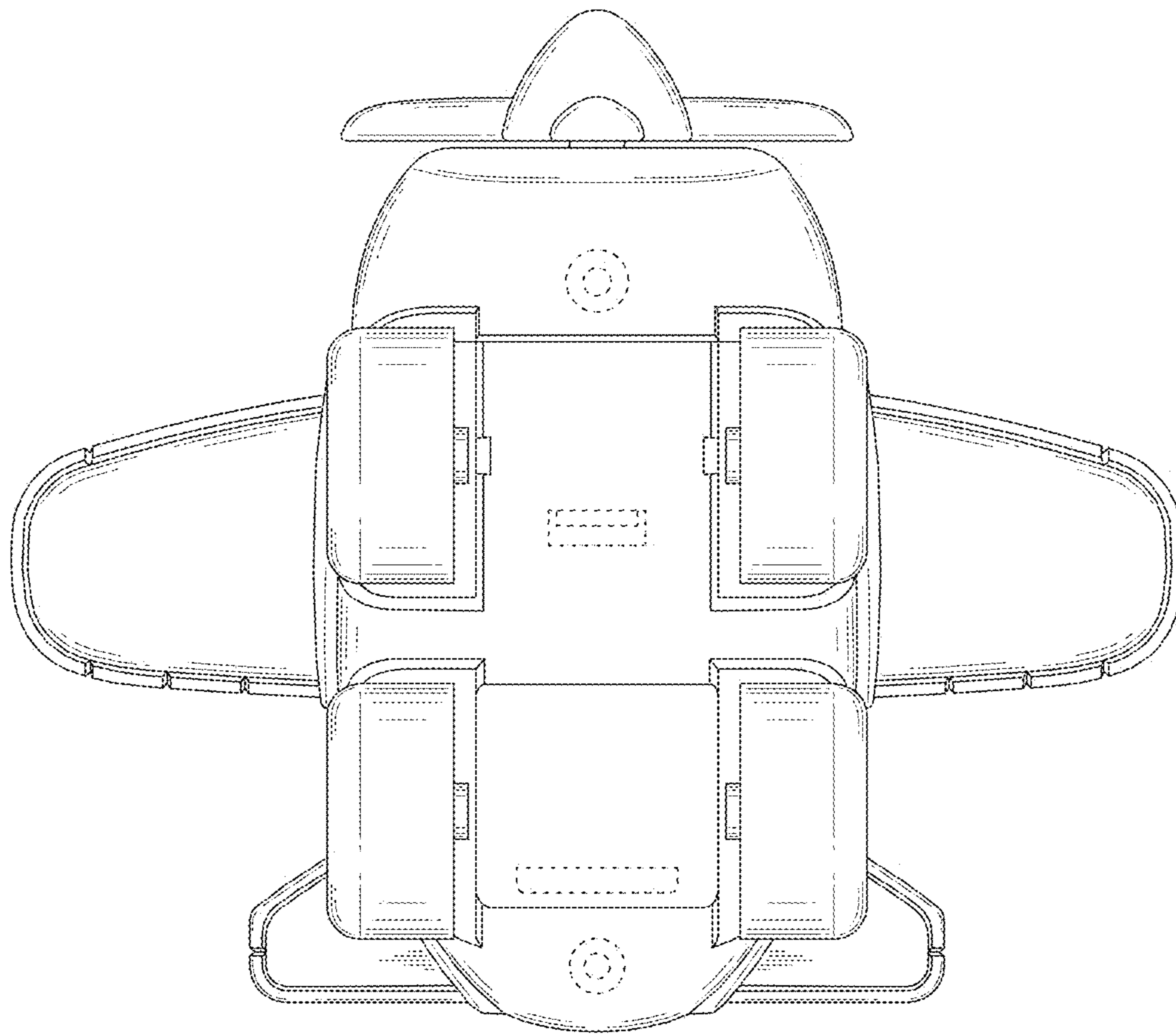


FIG. 8