



US00D897446S

(12) **United States Design Patent**  
**Lee et al.**

(10) **Patent No.:** **US D897,446 S**  
(45) **Date of Patent:** **\*\* Sep. 29, 2020**

(54) **ELECTRIC SCOOTER**

(71) Applicant: **LG ELECTRONICS INC.**, Seoul (KR)

(72) Inventors: **Euiseok Lee**, Seoul (KR); **Hophil Lee**, Seoul (KR)

(73) Assignee: **LG Electronics Inc.**, Seoul (KR)

(\*\*) Term: **15 Years**

(21) Appl. No.: **29/703,643**

(22) Filed: **Aug. 28, 2019**

(30) **Foreign Application Priority Data**

Mar. 6, 2019 (WO) ..... WIPO81141

(51) **LOC (12) Cl.** ..... **21-01**

(52) **U.S. Cl.**  
USPC ..... **D21/423**

(58) **Field of Classification Search**  
USPC ..... D21/419, 421, 423, 432, 760, 763, 765, D21/771; D12/1, 110  
CPC ..... B62K 3/002; B62K 9/00; B62K 2202/00; B62K 15/00; B62K 2015/001; B62K 2015/003; B60Y 2200/126  
See application file for complete search history.

(56) **References Cited**

**U.S. PATENT DOCUMENTS**

D456,460 S \* 4/2002 Tseng ..... B62K 3/002 D21/423  
D492,367 S \* 6/2004 Dennis ..... D21/423

D497,397 S \* 10/2004 Sramek ..... D21/423  
D516,132 S \* 2/2006 Sramek ..... D21/423  
D839,359 S \* 1/2019 Hadley ..... D21/423  
D841,097 S \* 2/2019 Zeng ..... D21/423  
D846,654 S \* 4/2019 Van Eyndhoven ..... D21/423  
D849,153 S \* 5/2019 Zhang ..... D21/423  
D872,191 S \* 1/2020 Lee ..... D21/423  
D872,192 S \* 1/2020 Hadley ..... D21/423  
2013/0257003 A1 \* 10/2013 Chen ..... B62L 1/04 280/87.041  
2019/0118647 A1 \* 4/2019 Jessie, Jr. .... B62K 9/02

\* cited by examiner

*Primary Examiner* — Cynthia M. Chin

(74) *Attorney, Agent, or Firm* — Birch, Stewart, Kolasch & Birch, LLP

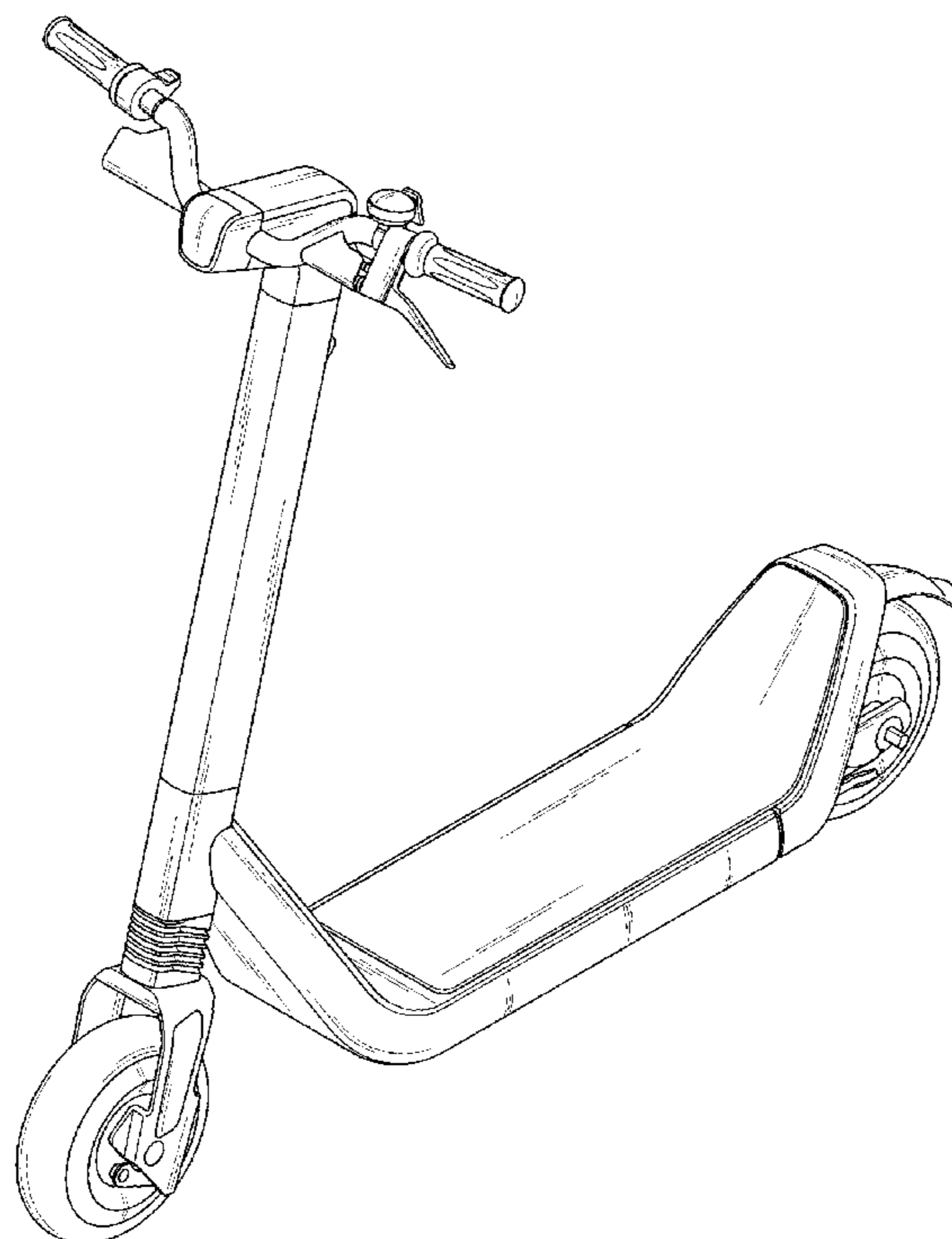
(57) **CLAIM**

We claim the ornamental design for an electric scooter, as shown and described.

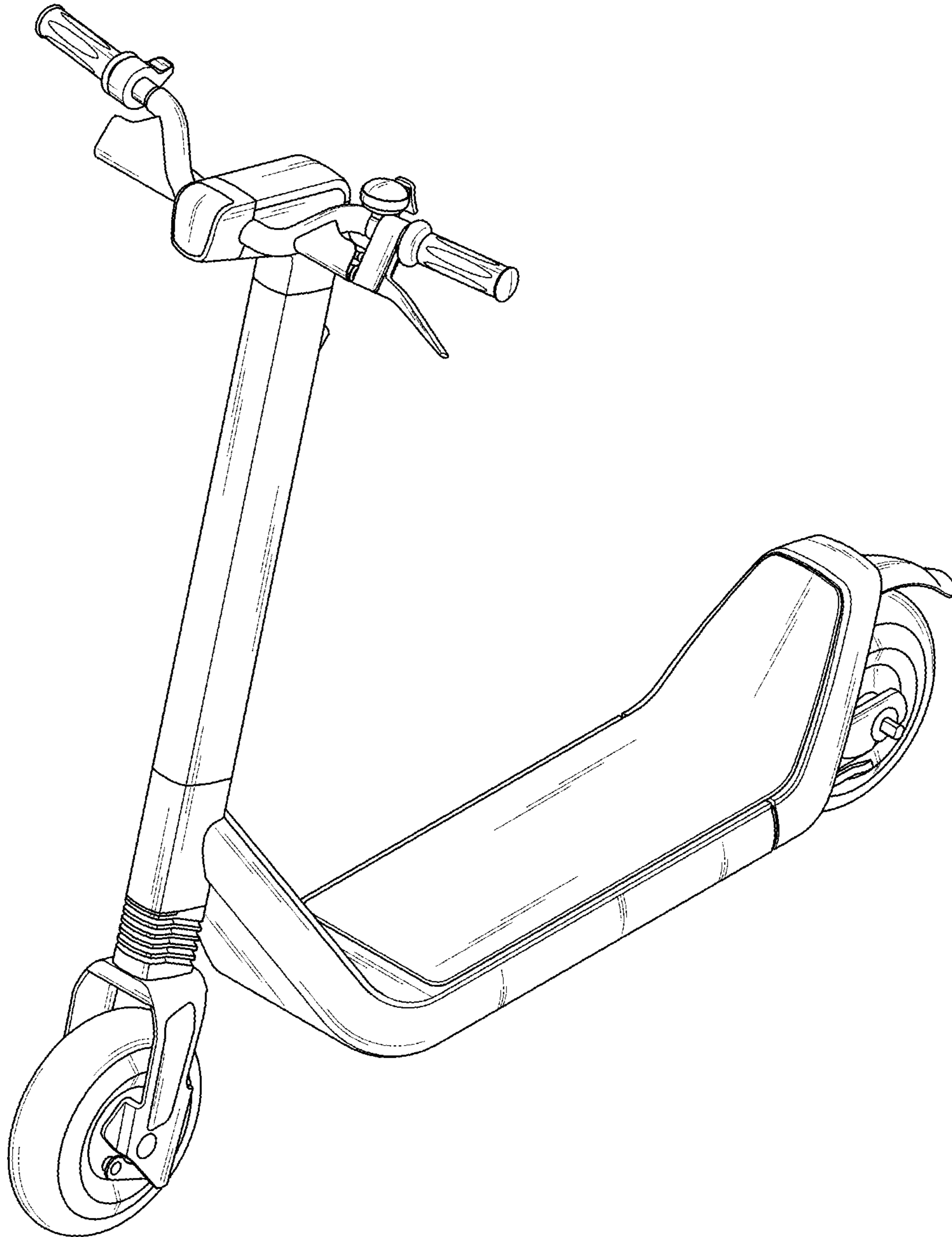
**DESCRIPTION**

FIG. 1 is a front perspective view of an electric scooter showing the new design;  
FIG. 2 is a front elevation view thereof;  
FIG. 3 is a rear elevation view thereof;  
FIG. 4 is a left-side elevation view thereof;  
FIG. 5 is a right-side elevation view thereof;  
FIG. 6 is a top plan view thereof;  
FIG. 7 is a bottom plan view thereof;  
FIG. 8 is a rear perspective view thereof; and,  
FIG. 9 is a reference view thereof.  
The broken lines in FIG. 9 are included for the purpose of illustrating environment and form no part of the claimed design.

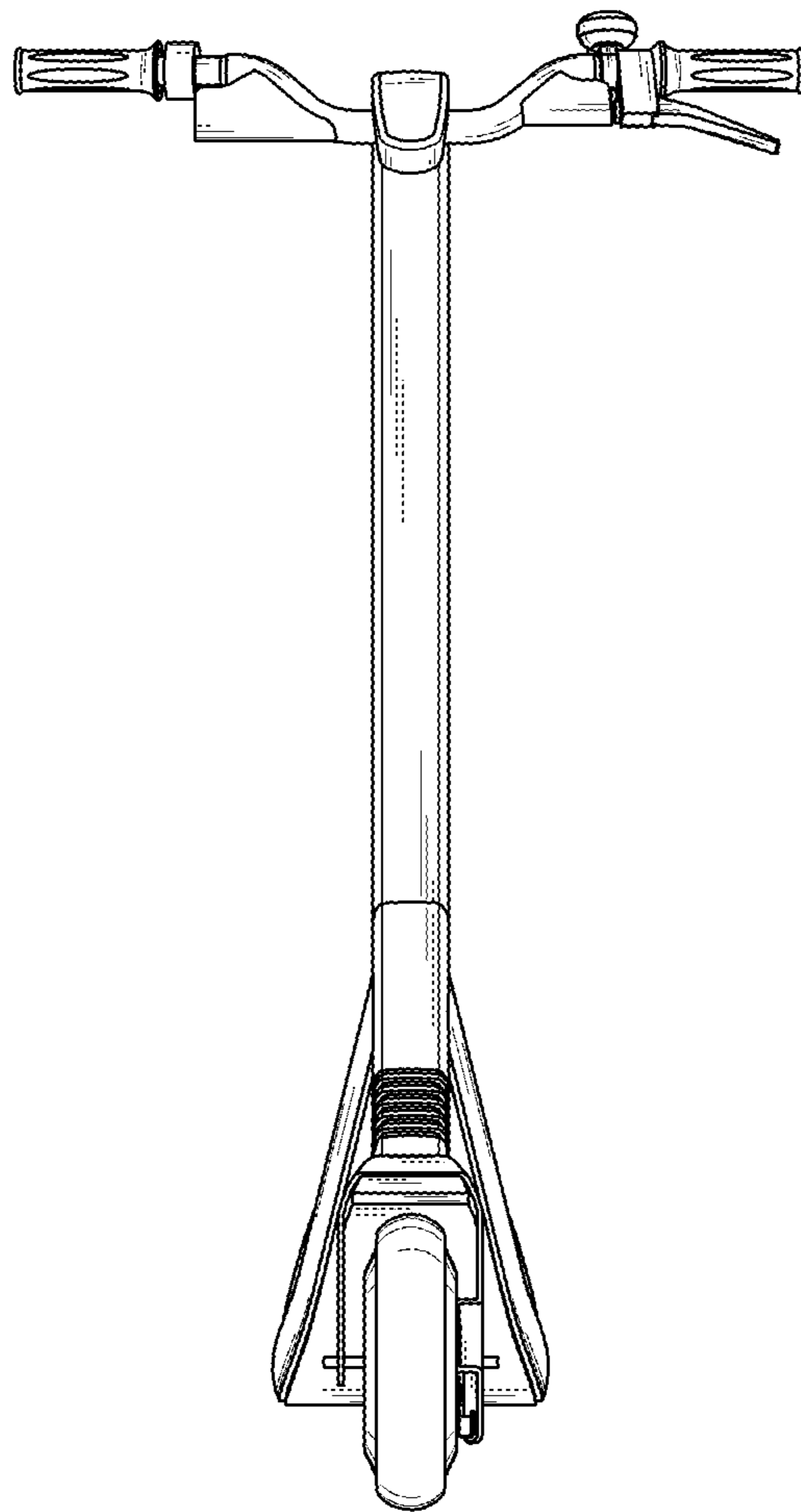
**1 Claim, 9 Drawing Sheets**



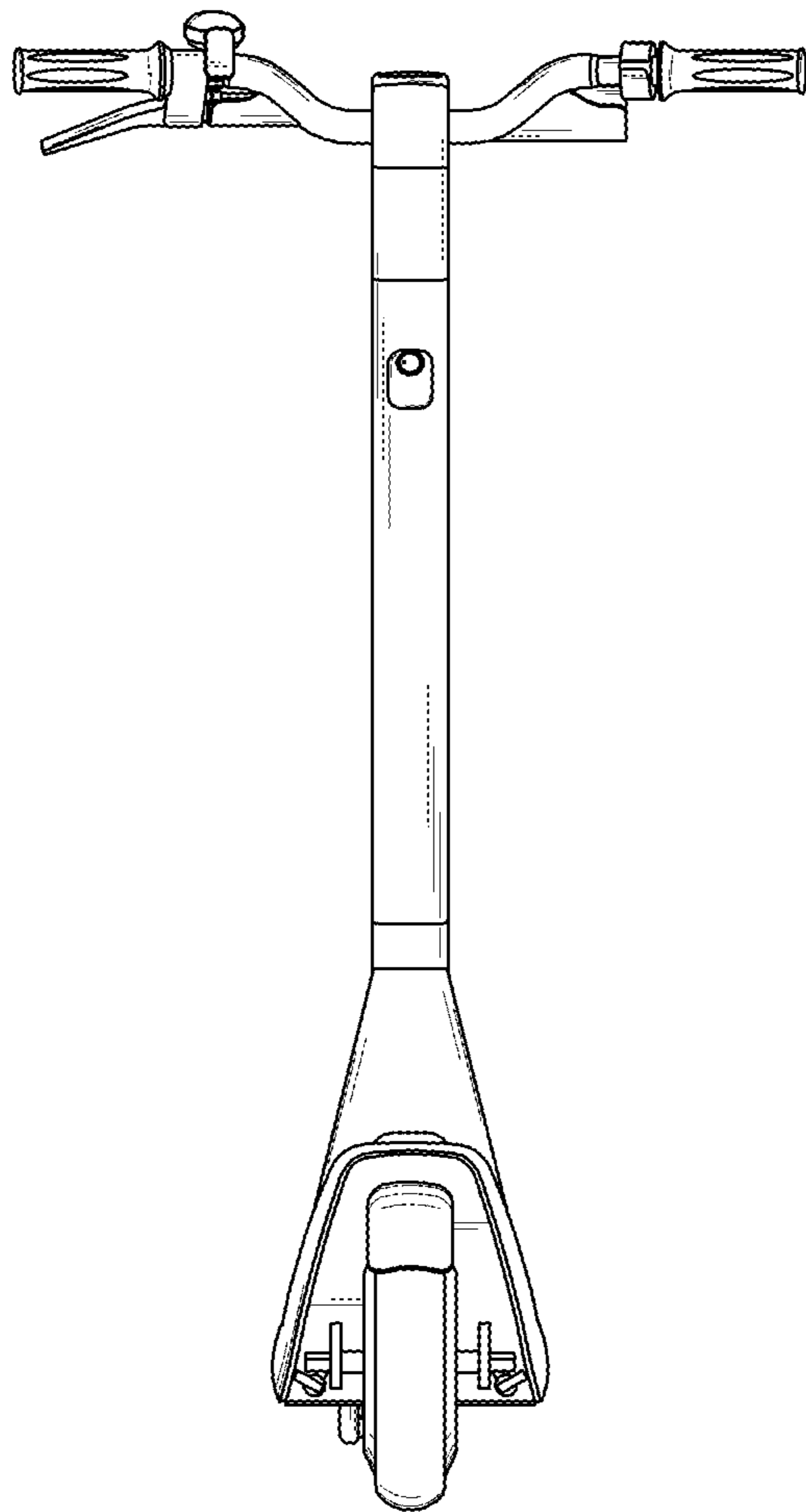
*FIG. 1*



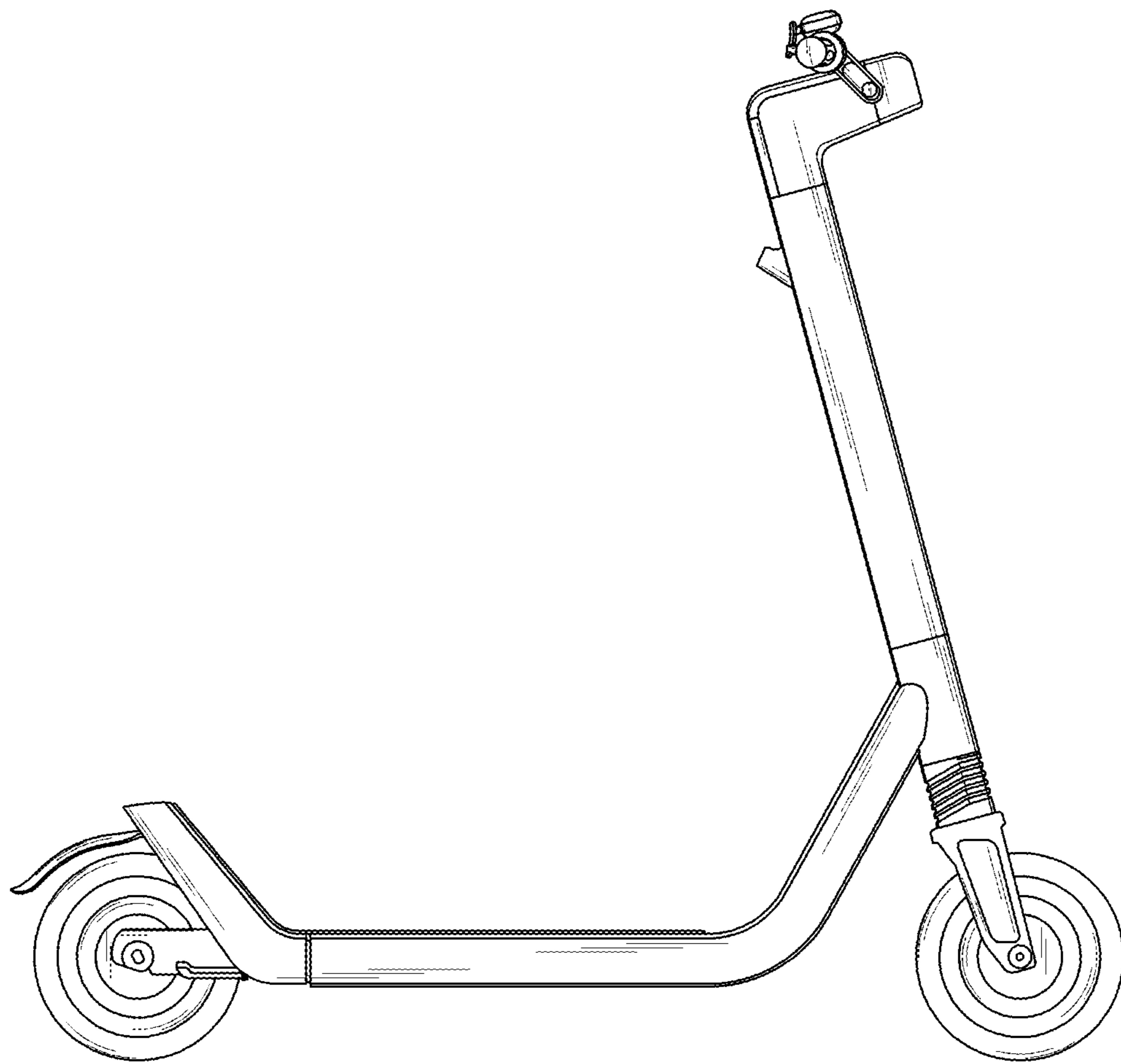
*FIG. 2*



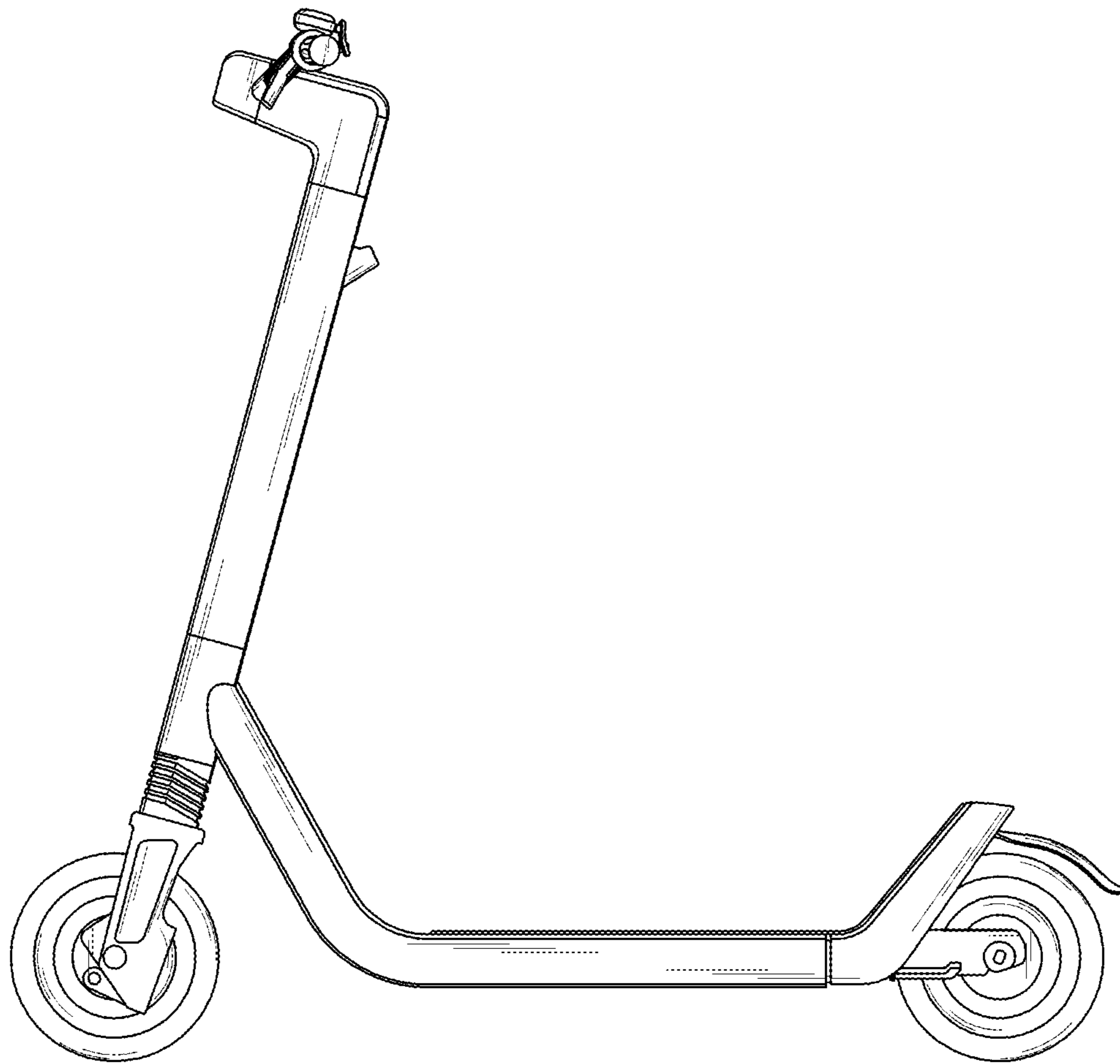
*FIG. 3*



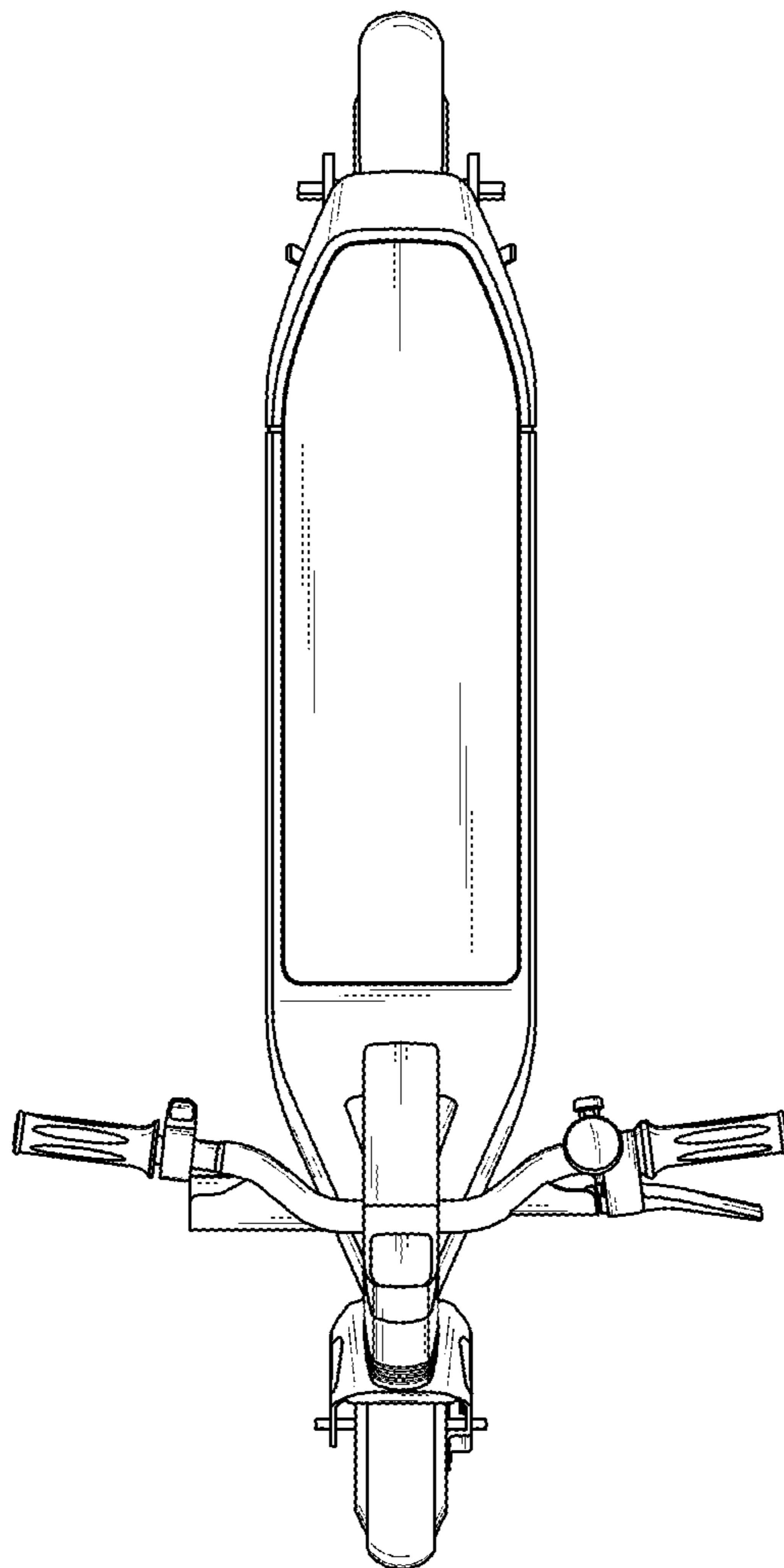
*FIG. 4*



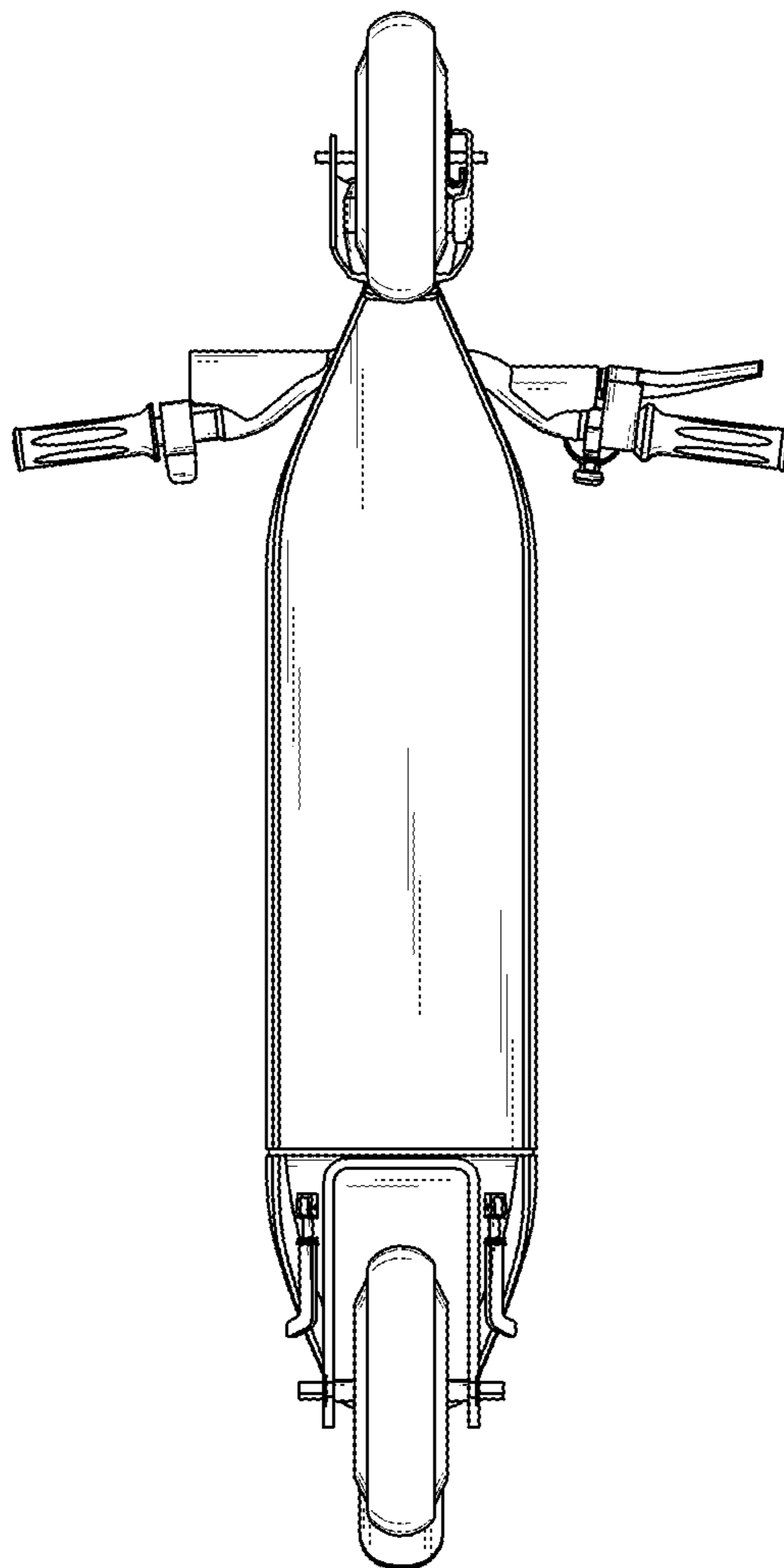
*FIG. 5*



*FIG. 6*

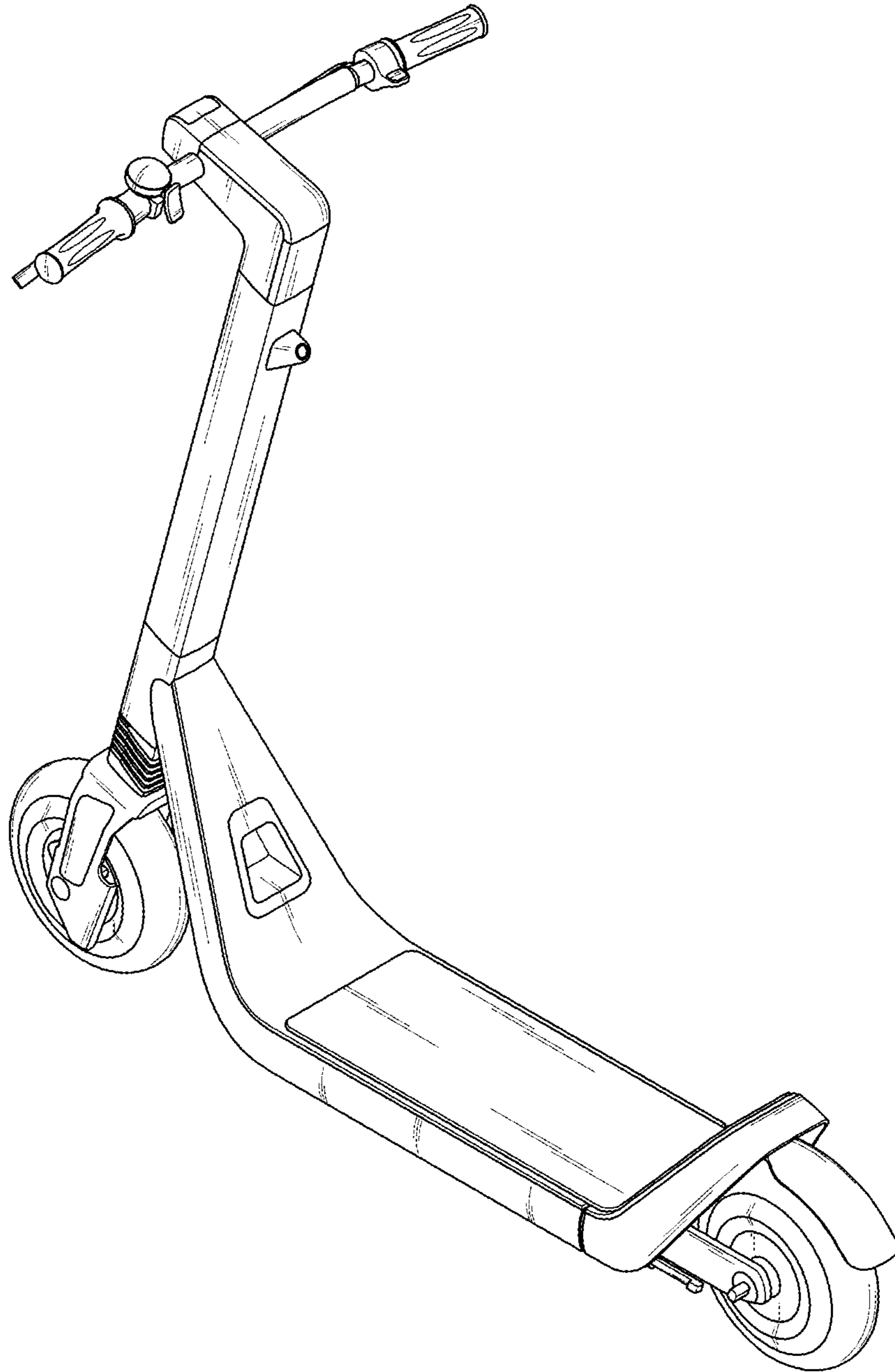


*FIG. 7*





*FIG. 8*



*FIG. 9*

