



US00D897442S

(12) **United States Design Patent**
Kiribuchi

(10) **Patent No.:** **US D897,442 S**

(45) **Date of Patent:** **** Sep. 29, 2020**

(54) **ASSEMBLING GAME PLATE**

(71) Applicant: **People Co., Ltd.**, Chuo-ku, Tokyo (JP)

(72) Inventor: **Masato Kiribuchi**, Tokyo (JP)

(73) Assignee: **PEOPLE CO., LTD.**, Chuo-Ku, Tokyo (JP)

(**) Term: **15 Years**

(21) Appl. No.: **29/709,962**

(22) Filed: **Oct. 18, 2019**

(30) **Foreign Application Priority Data**

Apr. 24, 2019 (JP) 2019-009159

(51) **LOC (12) Cl.** **21-01**

(52) **U.S. Cl.**
USPC **D21/363**

(58) **Field of Classification Search**
USPC D21/334-368, 385, 397; D25/113-118
CPC A63H 33/04-14; A63F 9/1204; A63F
9/1208; A63F 2009/1212-1228
See application file for complete search history.

(56) **References Cited**

U.S. PATENT DOCUMENTS

- D713,891 S * 9/2014 Schwartz A63F 3/00697
D21/342
- D773,562 S * 12/2016 Kiribuchi G09B 1/02
D21/363
- D773,563 S * 12/2016 Kiribuchi D21/363
- D773,564 S * 12/2016 Kiribuchi D21/363

- D799,603 S * 10/2017 Wang D21/386
- D799,604 S * 10/2017 Wang D21/386
- 2004/0063080 A1 * 4/2004 Cheng G09B 1/02
434/208
- 2004/0188936 A1 * 9/2004 Andrie A63F 3/00697
273/290

* cited by examiner

Primary Examiner — George D. Kirschbaum

Assistant Examiner — Joseph J Kukella

(74) *Attorney, Agent, or Firm* — Leydig Voit & Mayer, Ltd.

(57) **CLAIM**

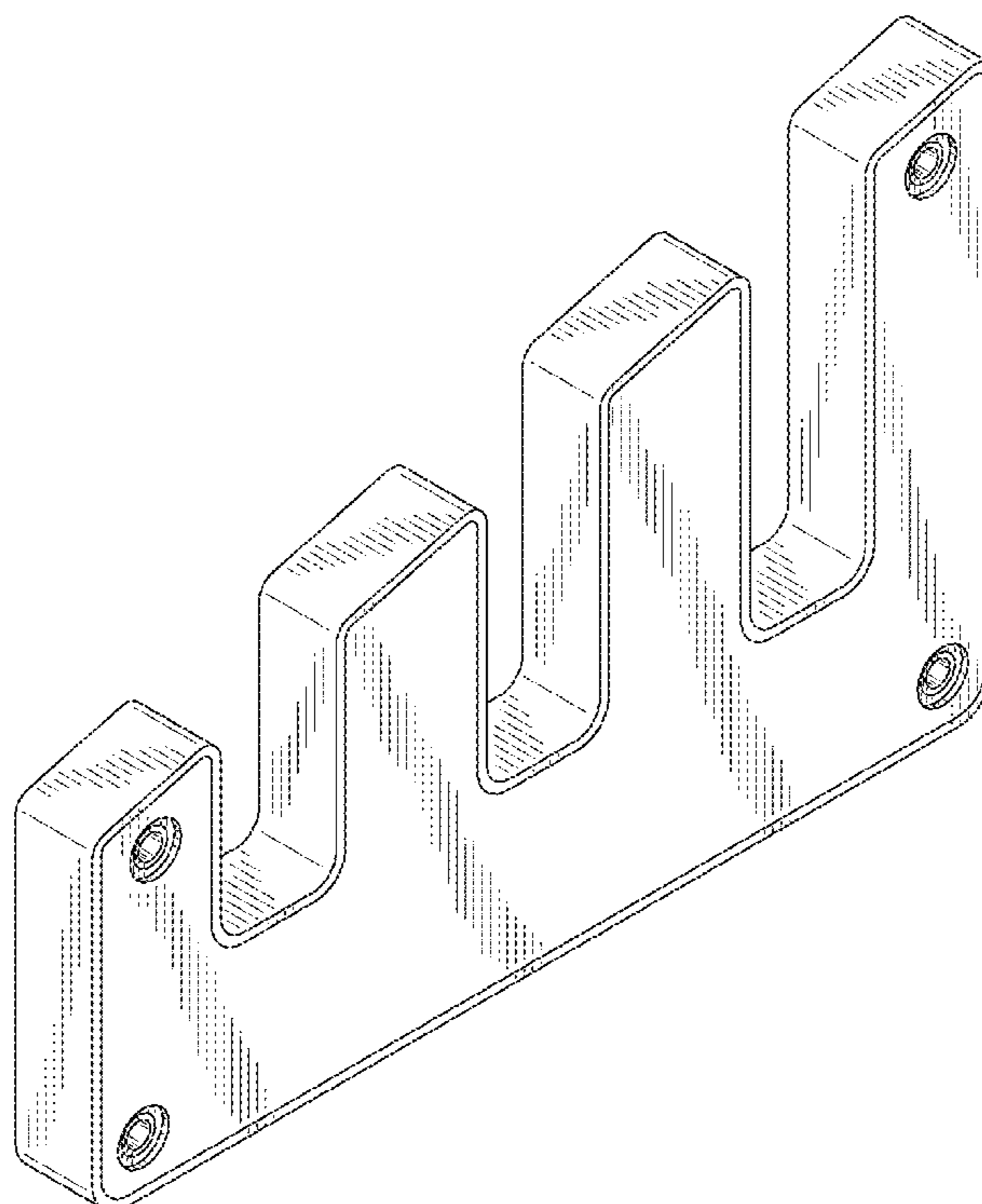
The ornamental design for an assembling game plate, as shown and described.

DESCRIPTION

FIG. 1 is a front view of an assembling game plate of the present invention;
 FIG. 2 is a rear view thereof;
 FIG. 3 is a top plan view thereof;
 FIG. 4 is a bottom plan view thereof;
 FIG. 5 is a right side view thereof;
 FIG. 6 is a left side view thereof;
 FIG. 7 is a perspective view thereof;
 FIG. 8 is a sectional view thereof taken along the line 8-8 of FIG. 1; and,
 FIG. 9 is a sectional view thereof taken along the line 9-9 of FIG. 3.

The broken lines are for the purpose of illustrating portions of the article that form no part of the claim.

1 Claim, 9 Drawing Sheets



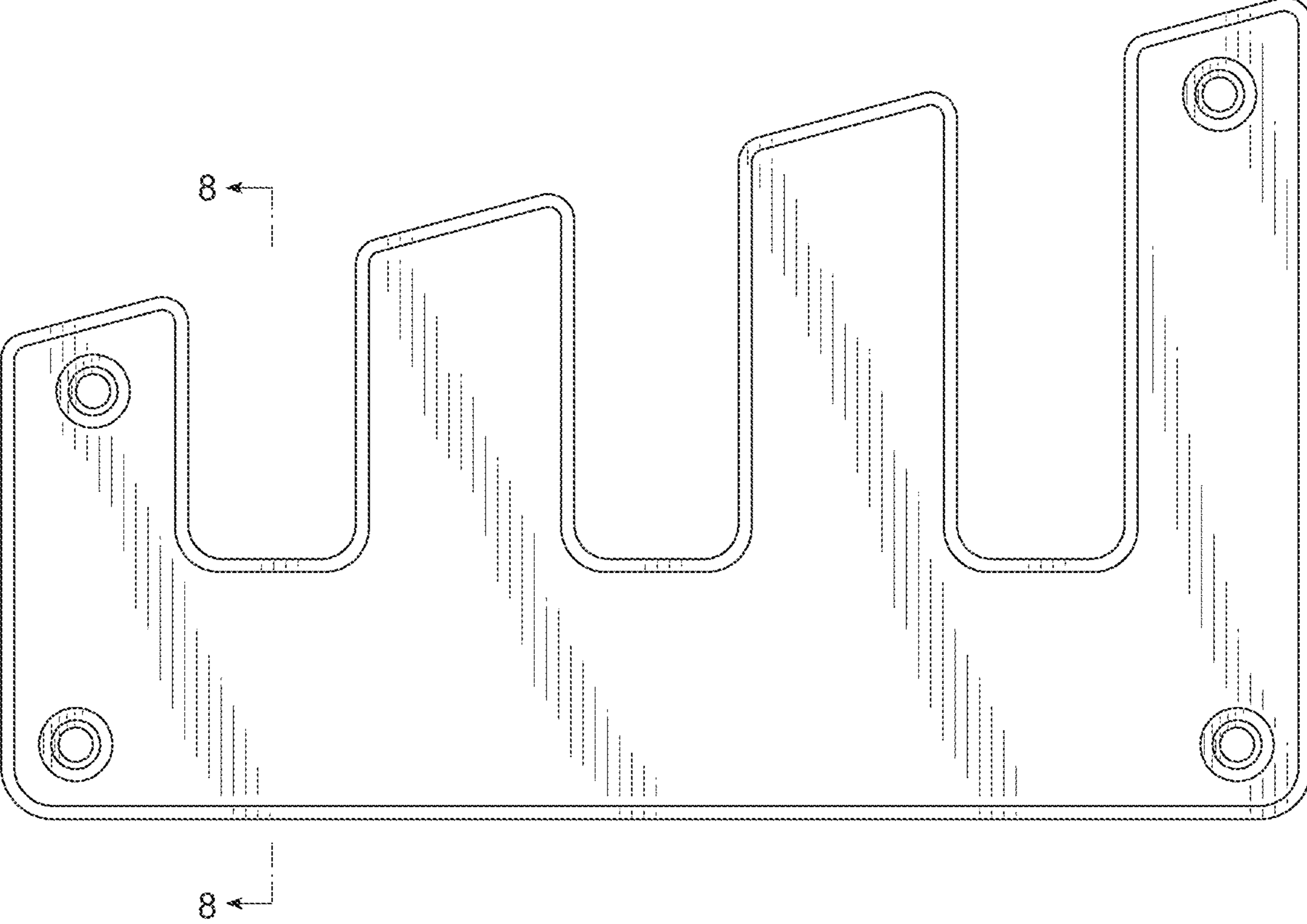


FIG. 1

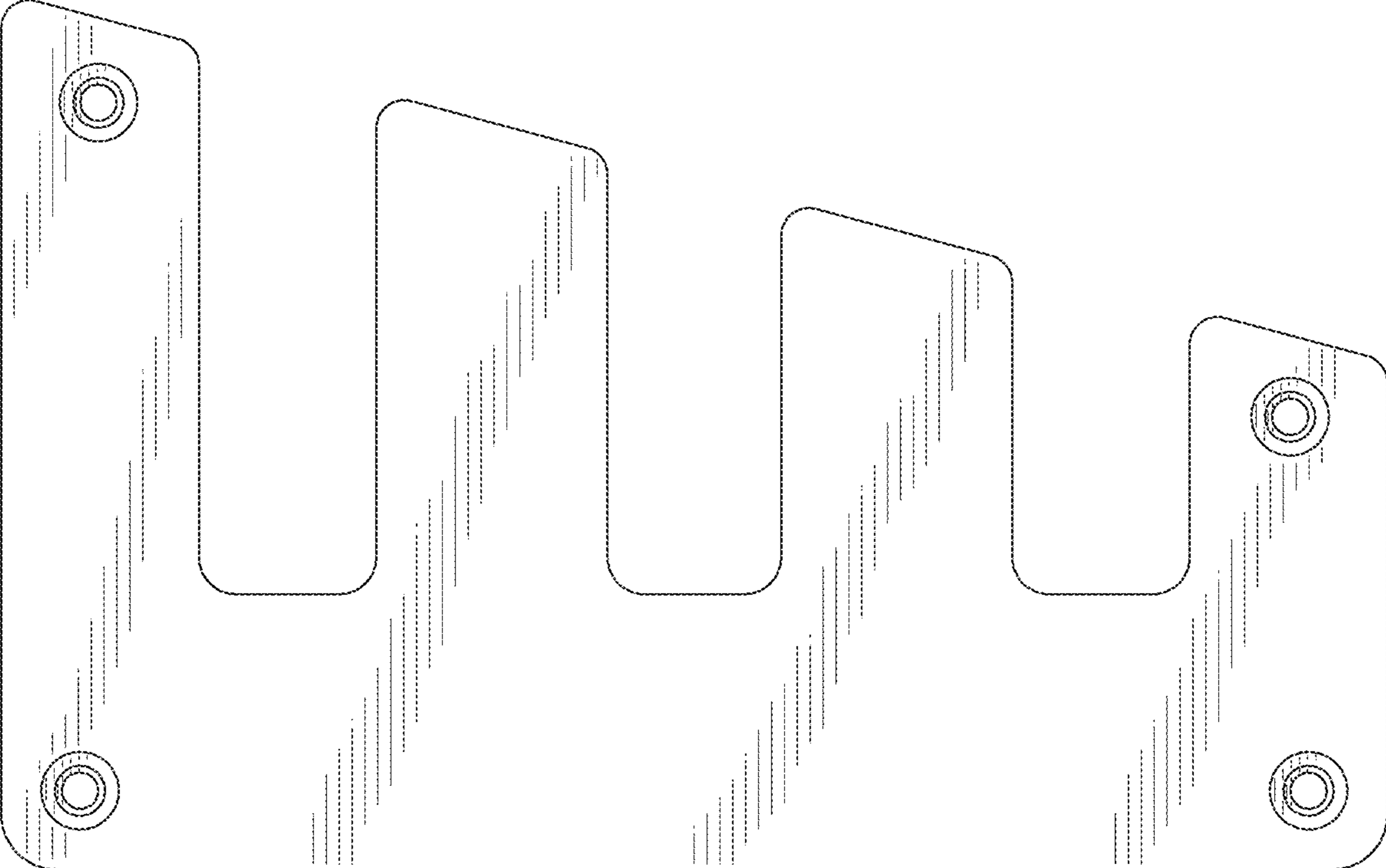


FIG. 2

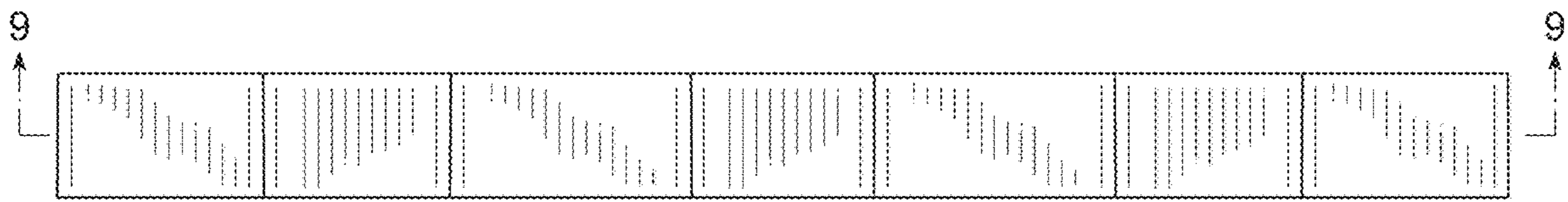


FIG. 3



FIG. 4

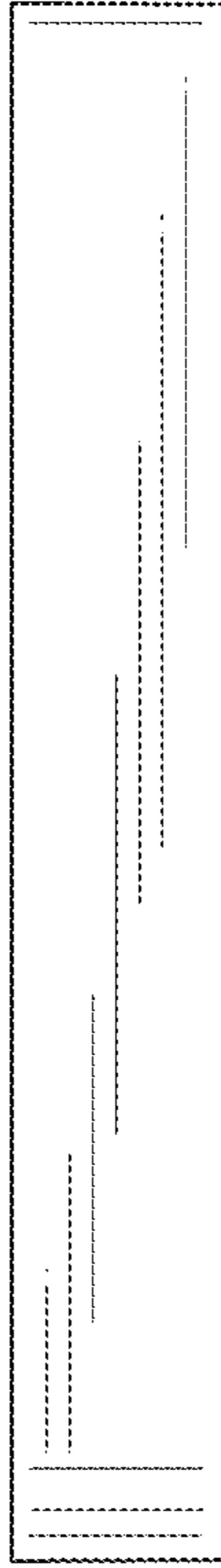


FIG. 5

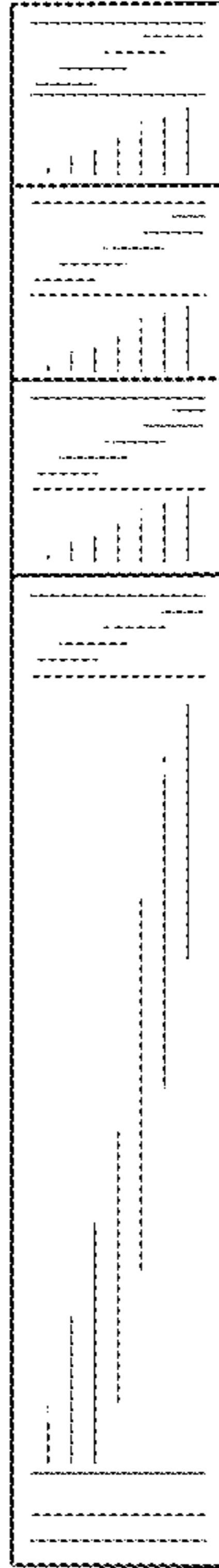


FIG. 6

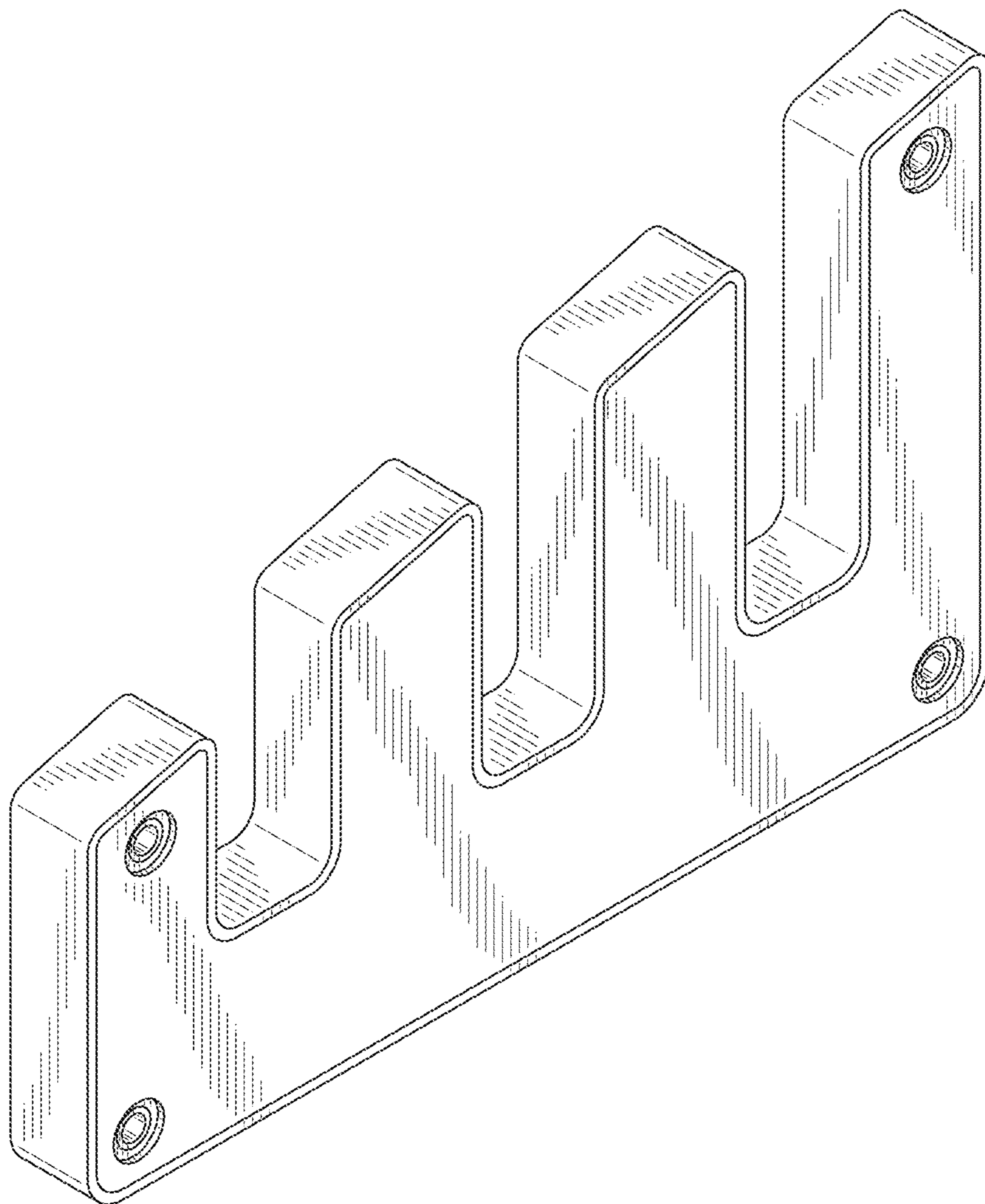


FIG. 7

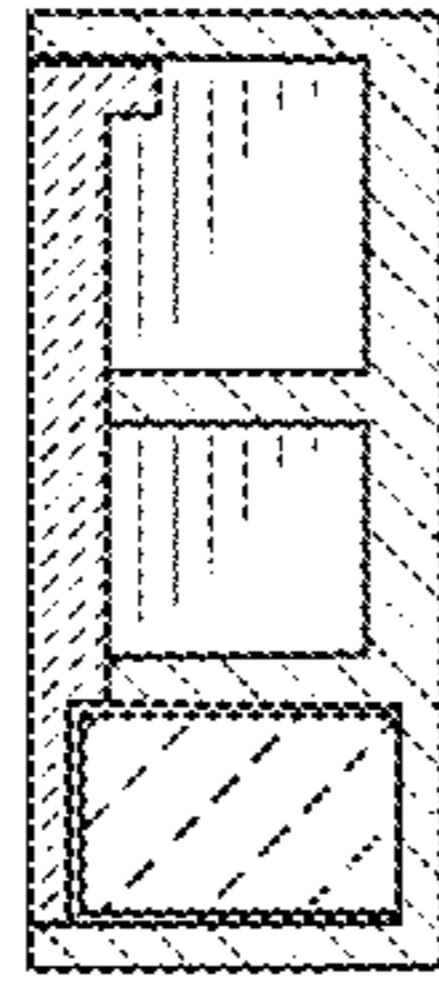


FIG. 8

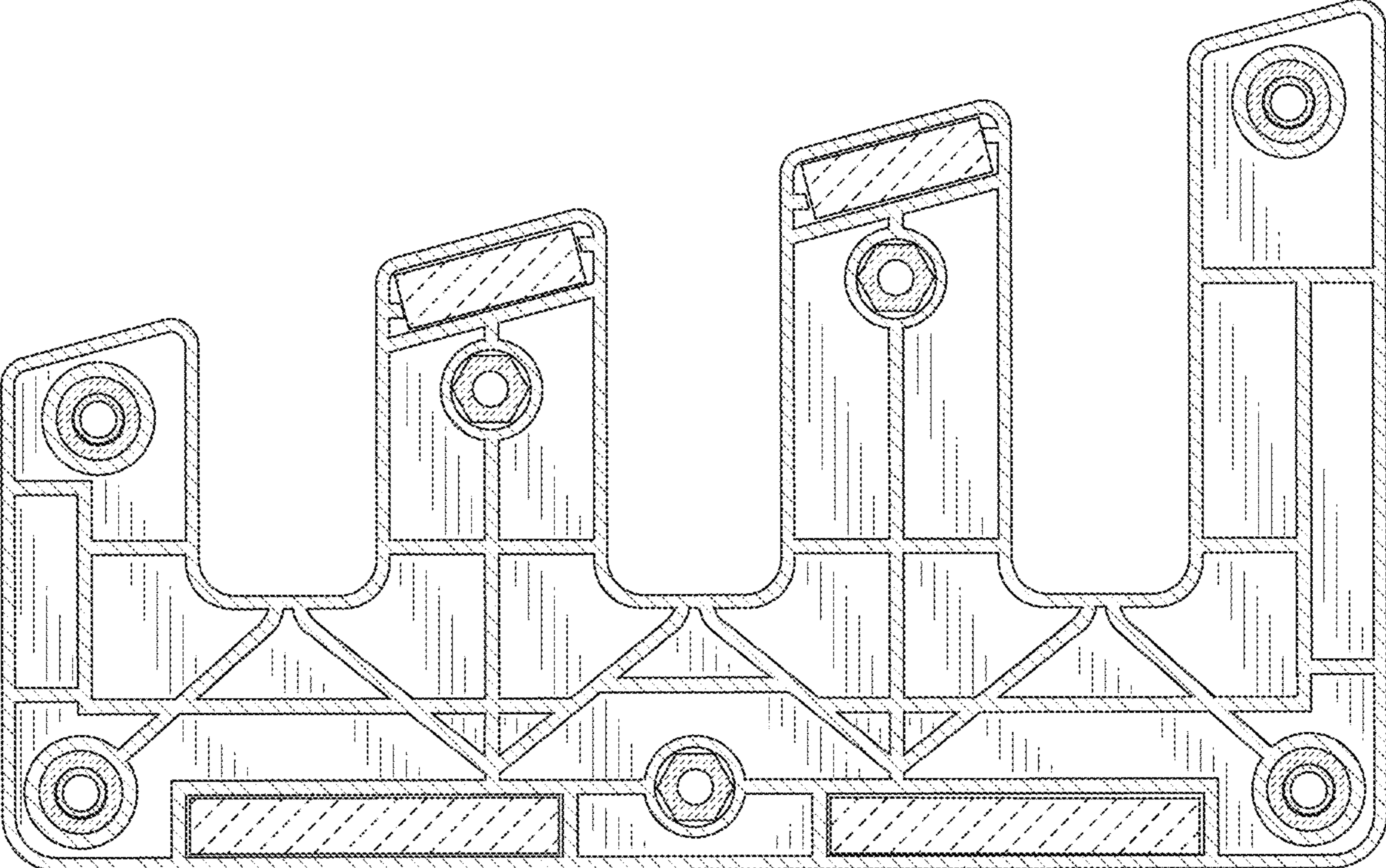


FIG. 9