



US00D897439S

(12) **United States Design Patent**
Tsai et al.

(10) **Patent No.:** **US D897,439 S**

(45) **Date of Patent:** **** *Sep. 29, 2020**

(54) **GAME MACHINE**

(71) Applicant: **FEILOLI ELECTRONIC CO., LTD.**,
Hemei Town, Changhua (TW)

(72) Inventors: **Chi-Ming Tsai**, Hemei Town (TW);
I-Chiang Yang, Hemei Town (TW)

(73) Assignee: **Feiloli Electronic Co., Ltd.**, Hemei
Town (TW)

(*) Notice: This patent is subject to a terminal dis-
claimer.

(**) Term: **15 Years**

(21) Appl. No.: **29/646,281**

(22) Filed: **May 3, 2018**

(51) **LOC (12) Cl.** **21-01**

(52) **U.S. Cl.**
USPC **D21/333**

(58) **Field of Classification Search**
USPC D21/325, 333, 329, 369, 811; 273/148 B,
273/447, 448, 454, 459, 460, 461; 463/7,
463/25, 46, 47; 221/75, 33, 55, 12,
221/82-286, 12 A, 12 C
CPC G07F 17/3297; A63F 9/00
See application file for complete search history.

(56) **References Cited**

U.S. PATENT DOCUMENTS

5,358,260 A * 10/1994 Ogata A63F 9/00
198/626.1
D421,284 S * 2/2000 Huang D21/811

D445,838 S * 7/2001 Ishii D21/325
D624,600 S * 9/2010 Fowler D21/333
D638,479 S * 5/2011 Verstraeten D21/325
8,002,284 B1 * 8/2011 Hsieh G07F 17/32
273/447
8,016,292 B1 * 9/2011 Yang A63F 9/30
273/447
8,267,405 B1 * 9/2012 Tsai G07F 17/3297
273/454
8,585,057 B2 * 11/2013 Wang A63F 9/30
273/454
D794,716 S * 8/2017 Wei D21/325
D835,197 S * 12/2018 Inuyama D21/325
2016/0314648 A1 * 10/2016 Takahashi B44F 1/04
2016/0325175 A1 * 11/2016 Tsai A63F 9/30

* cited by examiner

Primary Examiner — Sandra S Snapp

Assistant Examiner — Mehri Bajoul

(74) *Attorney, Agent, or Firm* — Alan D. Kamrath; Karin
L. Williams; Mayer & Williams PC

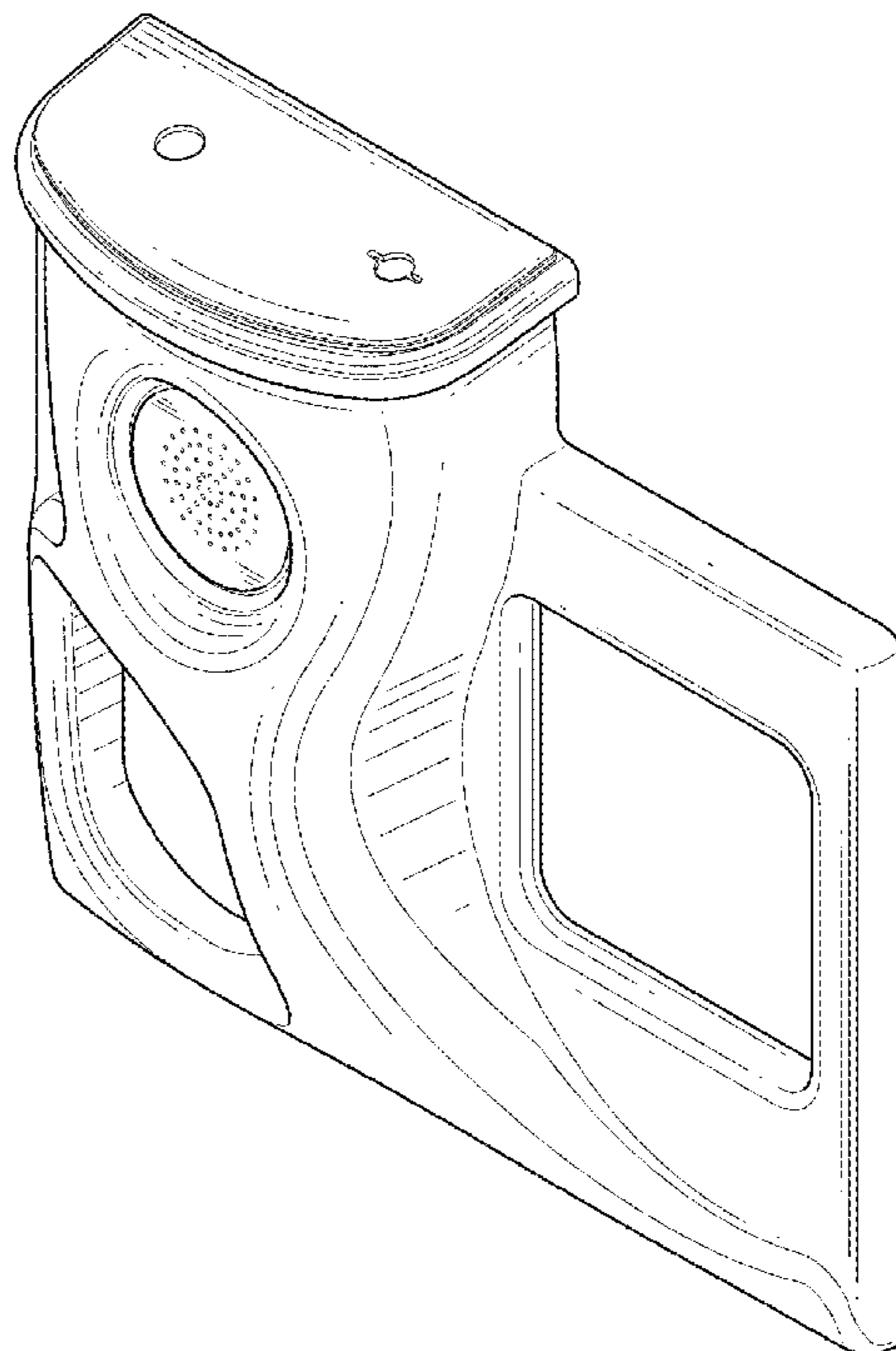
(57) **CLAIM**

The ornamental design for a game machine, as shown and
described.

DESCRIPTION

FIG. 1 is a perspective view of a game machine showing our
new design;
FIG. 2 is a front view thereof;
FIG. 3 is a rear view thereof;
FIG. 4 is a left view thereof;
FIG. 5 is a right view thereof;
FIG. 6 is a top view thereof; and,
FIG. 7 is a bottom view thereof.

1 Claim, 7 Drawing Sheets



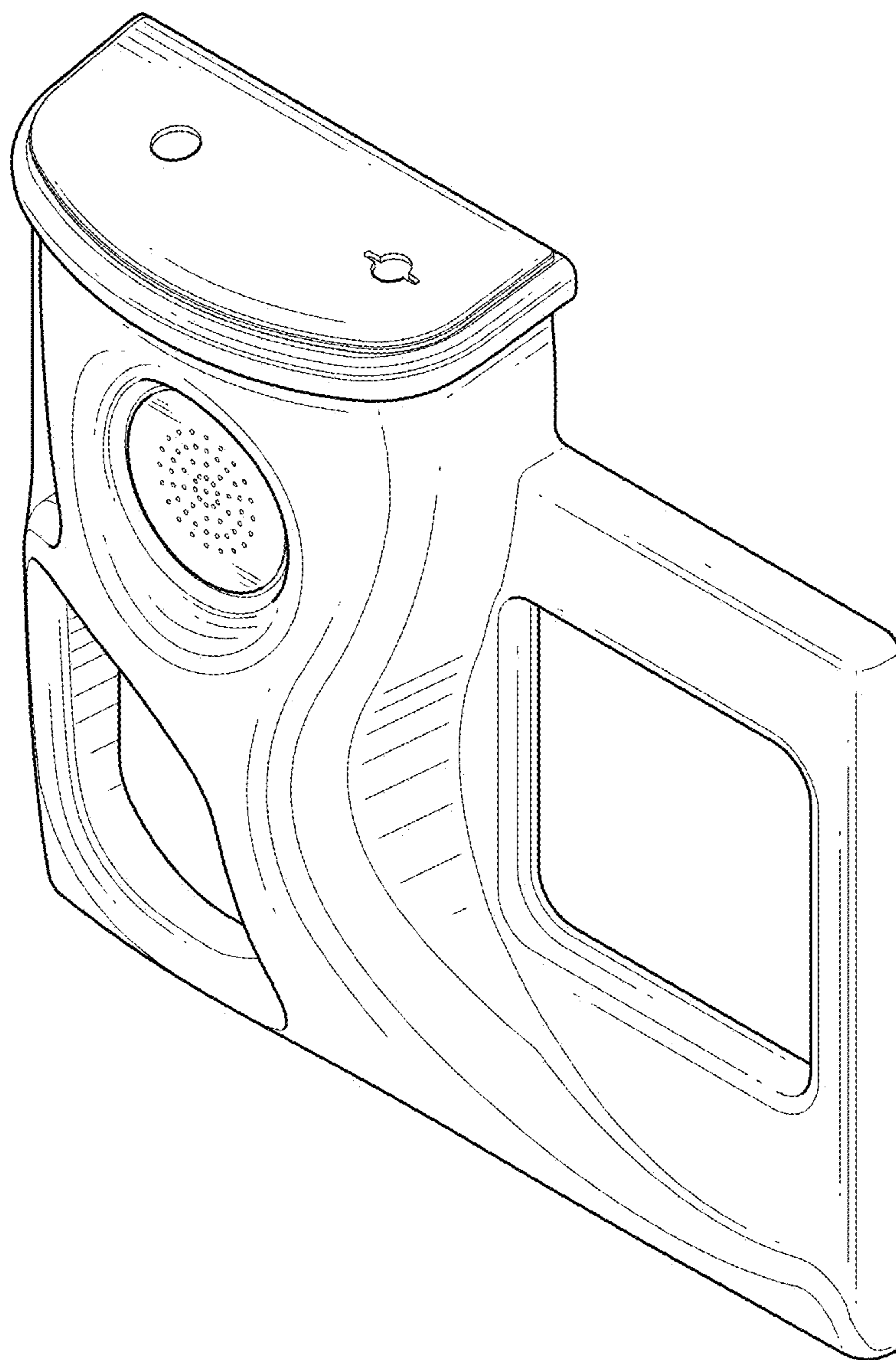


FIG. 1

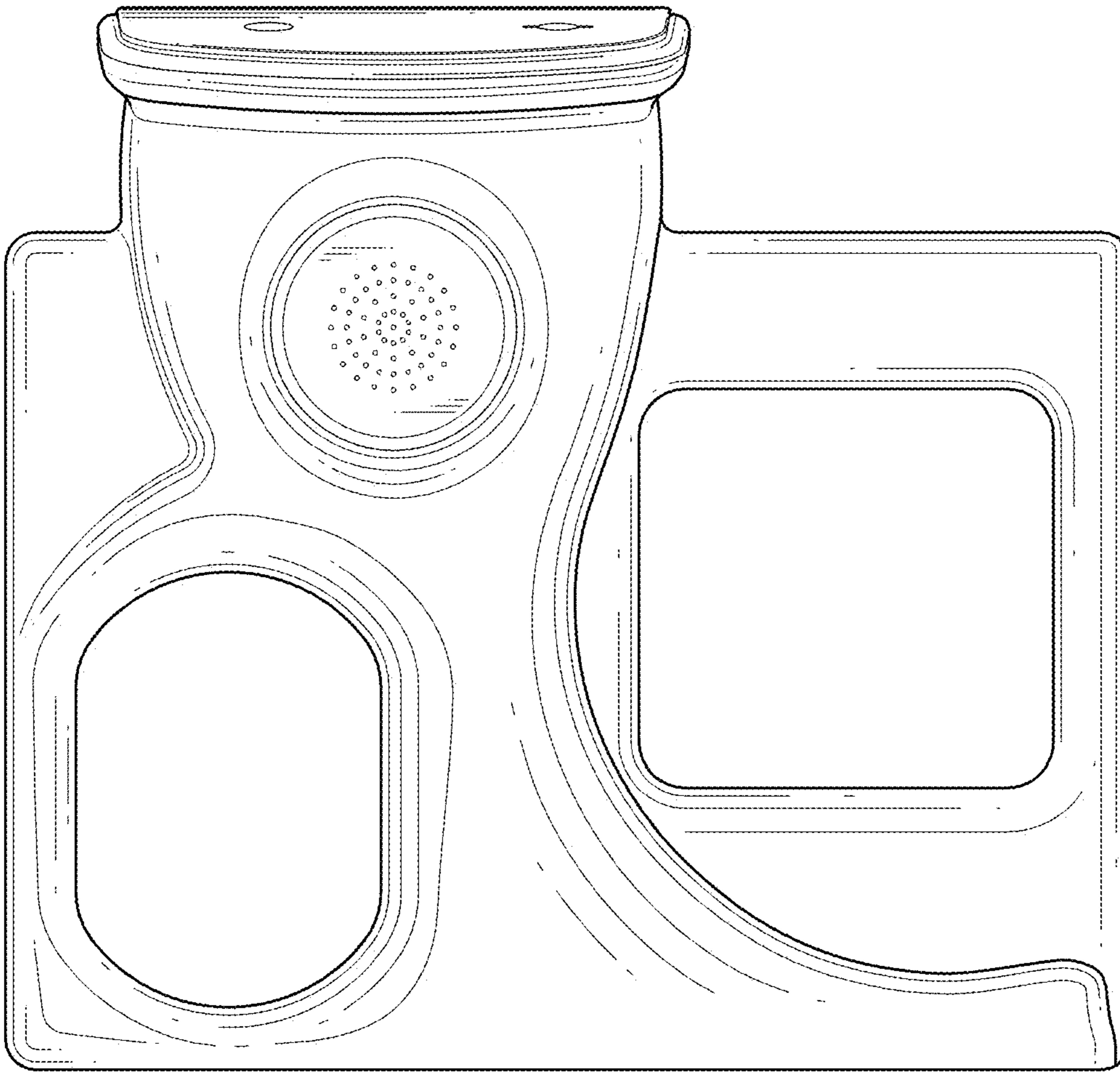


FIG. 2

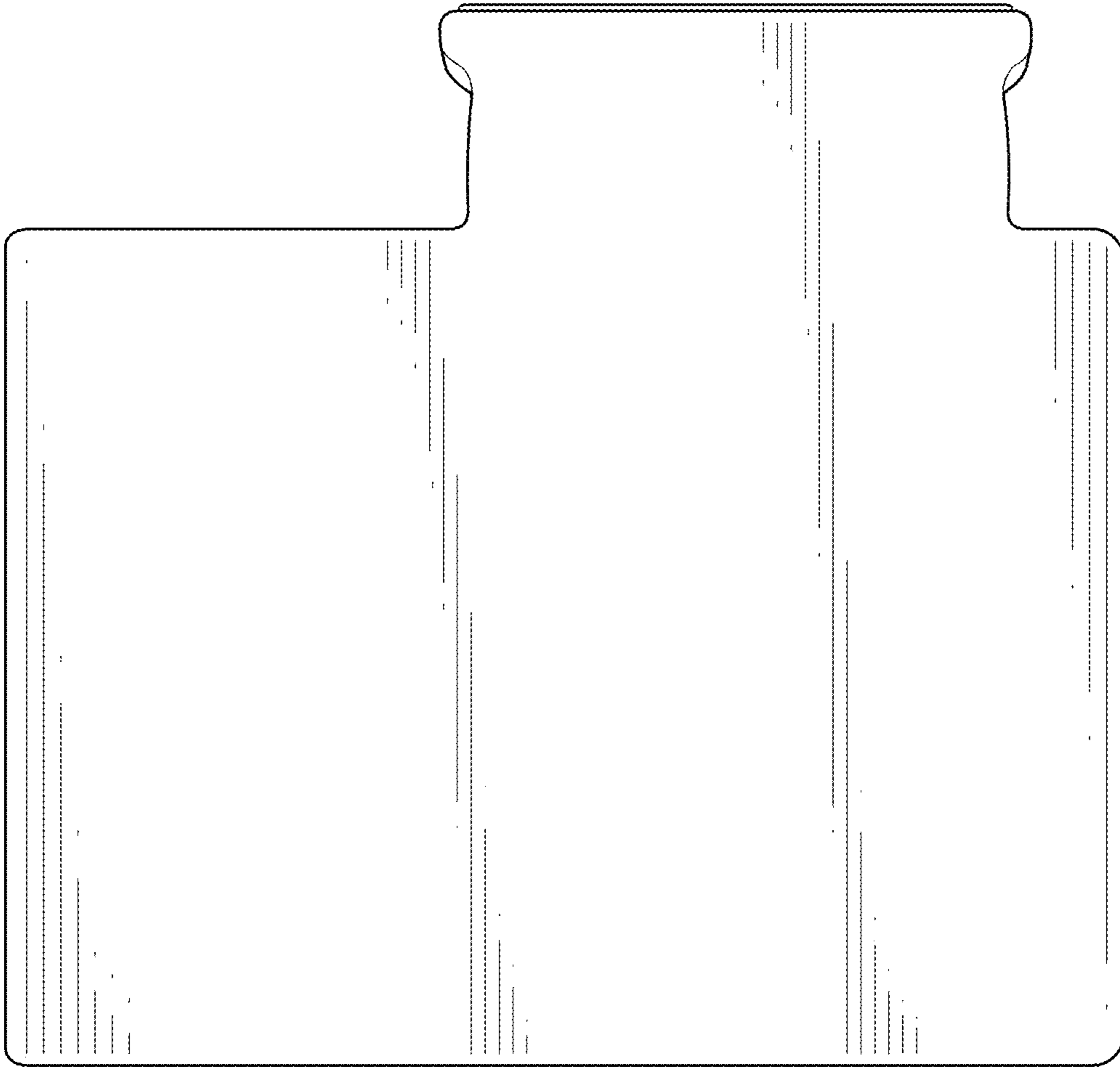


FIG. 3

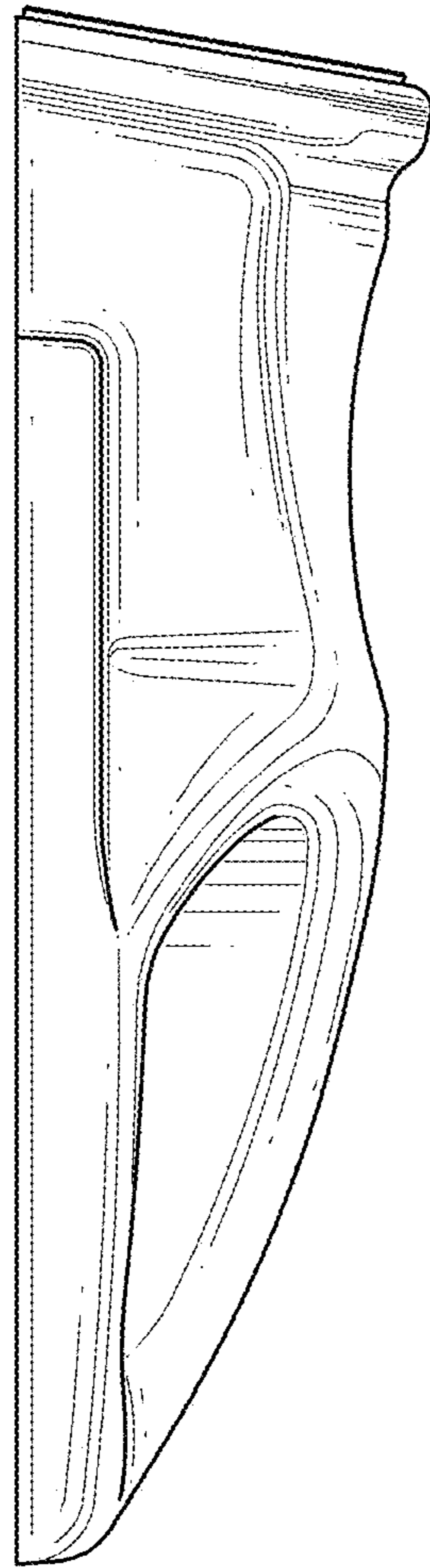


FIG. 4

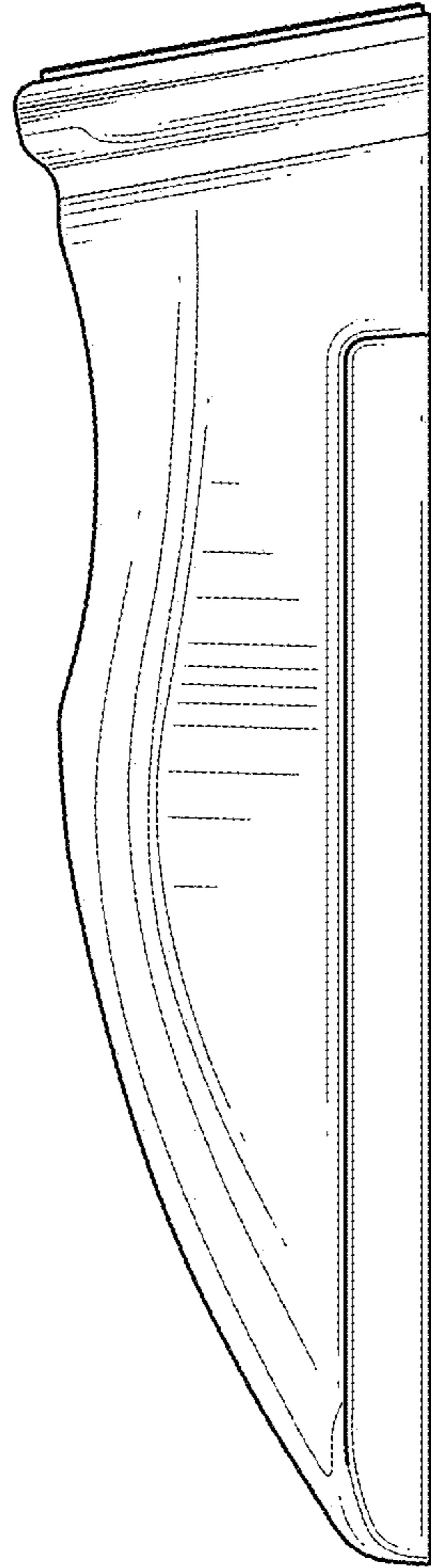


FIG. 5

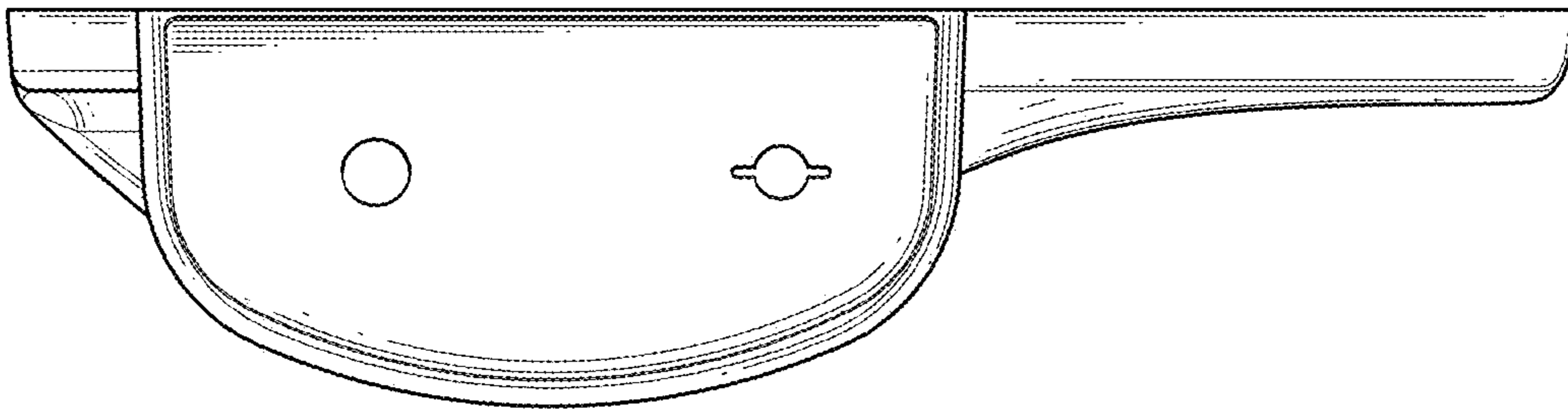


FIG. 6

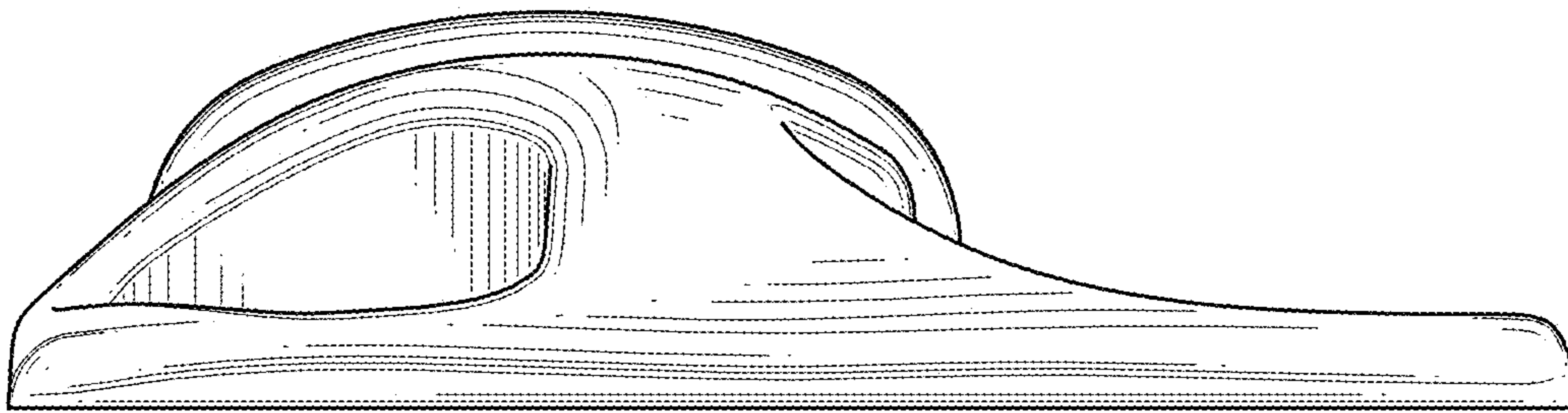


FIG. 7