



US00D897438S

(12) **United States Design Patent** (10) **Patent No.:** **US D897,438 S**
Olive et al. (45) **Date of Patent:** **** Sep. 29, 2020**

(54) **GAMING MACHINE END CAP**
(71) Applicant: **Aristocrat Technologies Australia Pty Limited**, North Ryde, NSW (AU)
(72) Inventors: **Scott Olive**, Narrabeen (AU); **John Curtis**, Gold Coast (AU); **Thomas Frawley**, Gold Coast (AU)
(73) Assignee: **ARISTOCRAT TECHNOLOGIES AUSTRALIA PTY LIMITED**, North Ryde (AU)

D396,898 S 8/1998 Tsuda
D413,936 S 9/1999 Uehara
D510,959 S 10/2005 Morrison
D617,388 S * 6/2010 Wildner D21/325
D617,389 S * 6/2010 Wildner D21/325
D646,336 S * 10/2011 Kelly D21/329
D695,706 S * 12/2013 Garneau D14/172
D706,741 S * 6/2014 Myers D14/172
D733,088 S * 6/2015 Garneau D14/172
D762,613 S * 8/2016 Garneau D14/172
D787,605 S * 5/2017 Bushnell D14/172

(Continued)

(**) Term: **15 Years**
(21) Appl. No.: **29/639,694**
(22) Filed: **Mar. 8, 2018**

OTHER PUBLICATIONS

Australian Design Examination Report No. 1 for Application No. 201812639, dated Aug. 28, 2018, 2 pages.

(Continued)

Primary Examiner — George D. Kirschbaum
Assistant Examiner — Joseph Kukella
(74) *Attorney, Agent, or Firm* — Armstrong Teasdale LLP

Related U.S. Application Data

(63) Continuation of application No. 29/613,149, filed on Aug. 8, 2017, and a continuation of application No. 29/613,154, filed on Aug. 8, 2017.

(51) **LOC (12) Cl.** **21-01**
(52) **U.S. Cl.**
USPC **D21/333**

(58) **Field of Classification Search**
USPC D6/672, 675, 681; D14/496, 125–129, D14/133, 217, 239; D21/324, 325, D21/329–333; D26/118, 119, 120, 121, D26/122
CPC G06F 1/1601; G06F 1/1603; G06F 1/1605; G06F 1/1647; G06F 1/1652
See application file for complete search history.

CLAIM

(57) We claim the ornamental design for a gaming machine end cap, as shown and described.

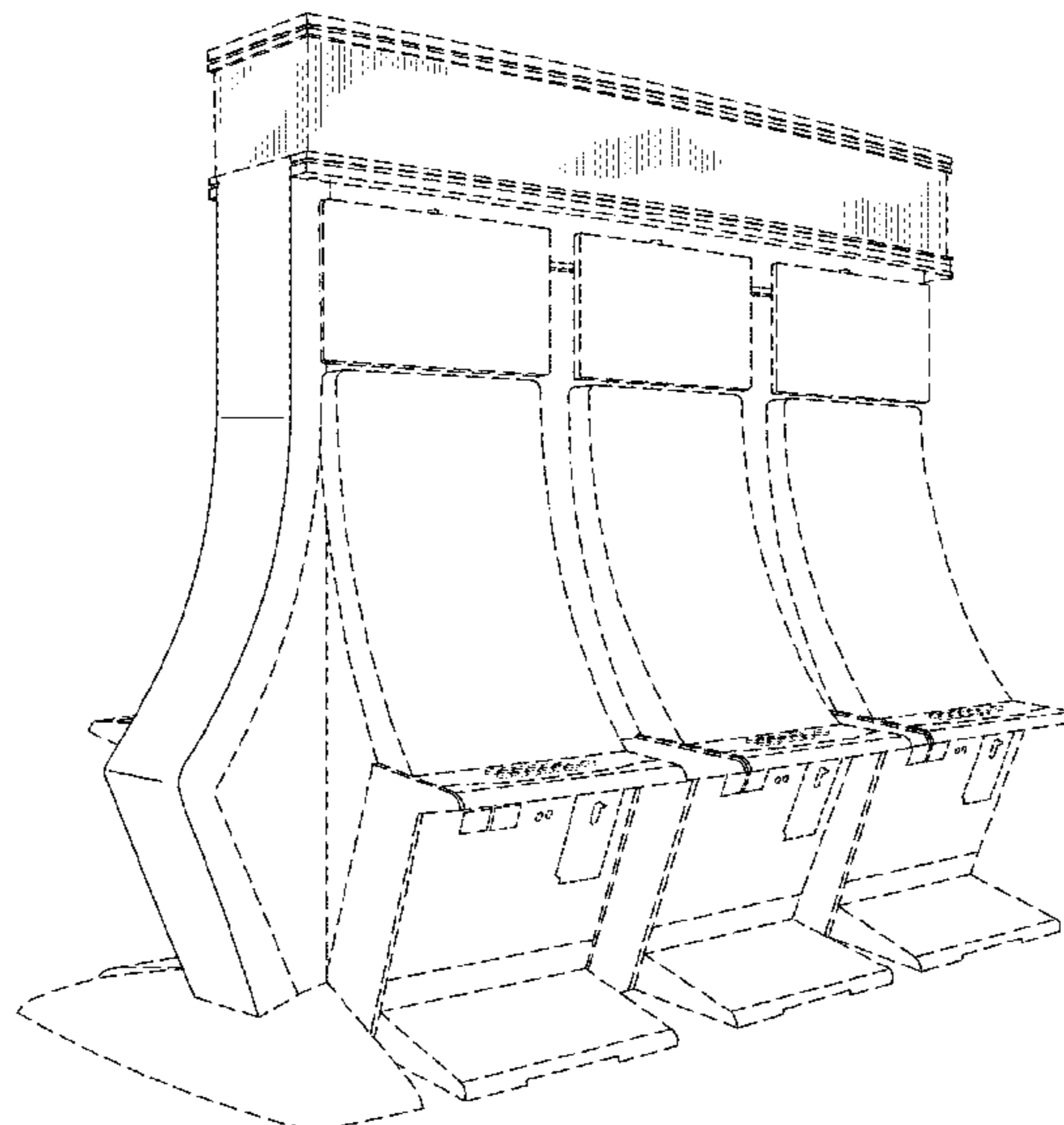
DESCRIPTION

FIG. 1 is a perspective view of an exemplary bank of gaming machines including an exemplary gaming machine end cap in accordance with the new design.
FIG. 2 is a front side view thereof.
FIG. 3 is a rear view thereof.
FIG. 4 is a left view thereof.
FIG. 5 is a right view thereof.
FIG. 6 is a top view thereof; and,
FIG. 7 is a bottom view thereof.
In the drawings, the broken lines depict portions of the gaming machine end cap that form no part of the claimed design.

(56) **References Cited**
U.S. PATENT DOCUMENTS

D355,676 S * 2/1995 Wilson D14/373
D392,689 S 3/1998 Muraki et al.
D396,888 S 8/1998 Hayashi

1 Claim, 7 Drawing Sheets



(56)

References Cited

U.S. PATENT DOCUMENTS

D792,520 S 7/2017 Hohman
 D835,196 S * 12/2018 Zelinka D21/325

OTHER PUBLICATIONS

Google: Gaming machine' which was published on the website <http://spinning2win.blogspot.com/2016/091> on Sep. 20, 2016. 1 page.

Twitter Aristocrat slots' which was published on the website https://twitter.com/iaristocratslots/status/852587967164039169/photo?ref_src=twsrc%5Etfw%7Chvcamp%5Etweetembed%7Ctwterm%5E8525879671640391698,ref_uri:--hdp%3A%2F%2Fwww.freearistocratpokies.com%2Fdra... on Apr. 13, 2017. 2 pages.

Twitter: Aristocrat gaming cabinet <https://twitter.com/search?f=images&crAristocrat%20gaming%20cabinets%20&src=typd> Jul. 6, 2017. 2 pages.

Twitter: Aristocrat Gaming' which was published on the website <https://twitter.com/aristocratslots> on Apr. 12, 2017.

YouTube: Dragon Link' which was published on the website https://www.youtube.com/watch?v=Hdn_15w3a0Y on Apr. 5, 2017. 2 pages.

Google: Dragon Link' which was published on the website <http://www.gamesbras.com/english-version/2017/3/30/aristocrats-slots-named-most-innovative-products-1711.html> on Mar. 30, 2017. 2 pages.

Australian Design Examination Report No. 1 for Application No. 201812640, dated Aug. 28, 2018, 2 pages.

Australian Design Examination Report No. 1 for Application No. 201812634, dated Aug. 28, 2018, 2 pages.

Google search—Fast Cash poker machines' which was published on the website <http://www.freearistocratpokies.com/dragon-link-fast-cash-pokies-named-casino-journals-top-20-innovative-gaming-technology-products-awards-2016/> on Apr. 28, 2017. 2 pages.

Google search—Aristocrat gaming' which was published on the website <http://www.gamesbras.com/english-version/2017/3/30/aristocrats-slots-named-most-innovative-products-1711.html> on Mar. 30, 2017. 1 page.

Australian Design Examination Report No. 1 for Application No. 201812637, dated Aug. 28, 2018, 6 pages.

Twitter search—Aristocrat gaming' which was published on the website <https://twitter.com/aristocratslots/status/852244558603624448> on Apr. 12, 2017. 1 page.

Twitter search—Aristocrat gaming' which was published on the website <https://twitter.com/MeskwakiCasino/status/817127325422718980> on Jan. 5, 2017, 1 page.

Google: Gaming machine' which was published on the website <http://spinning2win.blogspot.com/2016/09/> on Sep. 20, 2016. 1 page.

Twitter: Aristocrat slots' which was published on the website https://twitter.com/aristocratslots/status/852587967164039169/photo/1?ref_src=twsrc%5Etfw%7Ctwcamp%5Etweetembed%7Ctwterm%5E852587967164039169&ref_url=http%3AcY02F%2Fwww.freearistocratpokies.com%2Fdra... on Apr. 13, 2017. 2 pages.

Twitter: Aristocrat gaming cabinet <https://twitter.com/search?f=images&q=Aristocrat%20gaming%20cabinets%20&src=typd> Jul. 6, 2017. 2 pages.

Google: Dragon Link' which was published on the website <http://www.gamesbras.com/english-version/2017/3/30/aristocrats-slots-named-most-innovative-products-1711.html> on Mar. 30, 2017. 2 pages.

Google search—Fast Cash poker machines' which was published on the website <http://www.freearistocratpokies.com/dragon-link-fast-cash-pokies-named-casino-journals-top-20-innovative-gaming-technology-products-awards-2016/> on Apr. 28, 2017. 2 pages.

Google search—Aristocrat gaming' which was published on the website <http://www.gamesbras.com/english-version/2017/3/30/aristocrats-slots-named-most-innovative-products-1711.html> on Mar. 30, 2017. 1 page.

Twitter search—Aristocrat gaming' which was published on the website <https://twitter.com/MeskwakiCasino/status/817127325422718980> on Jan. 5, 2017. 1 page.

* cited by examiner

FIG. 1

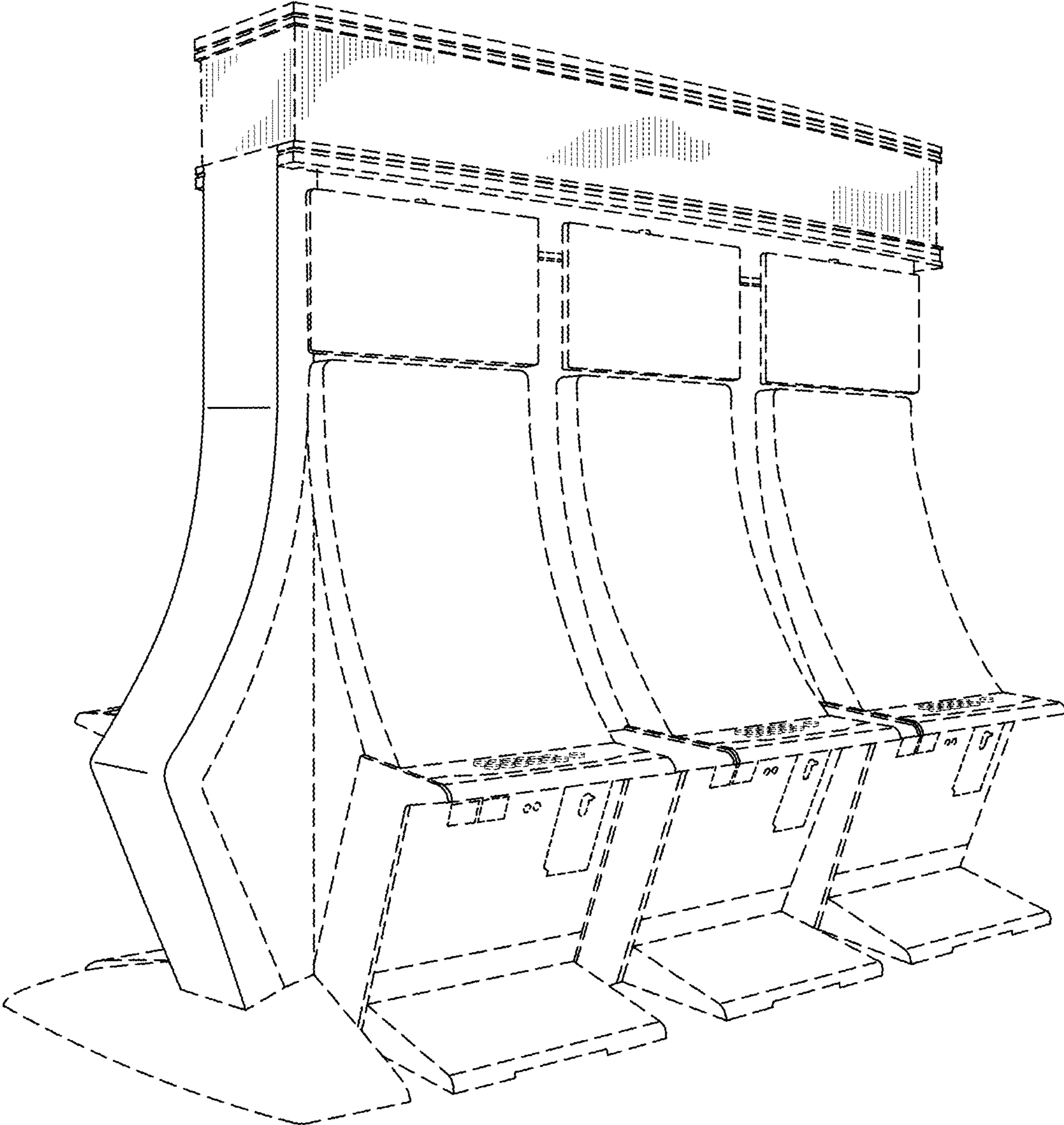


FIG. 2

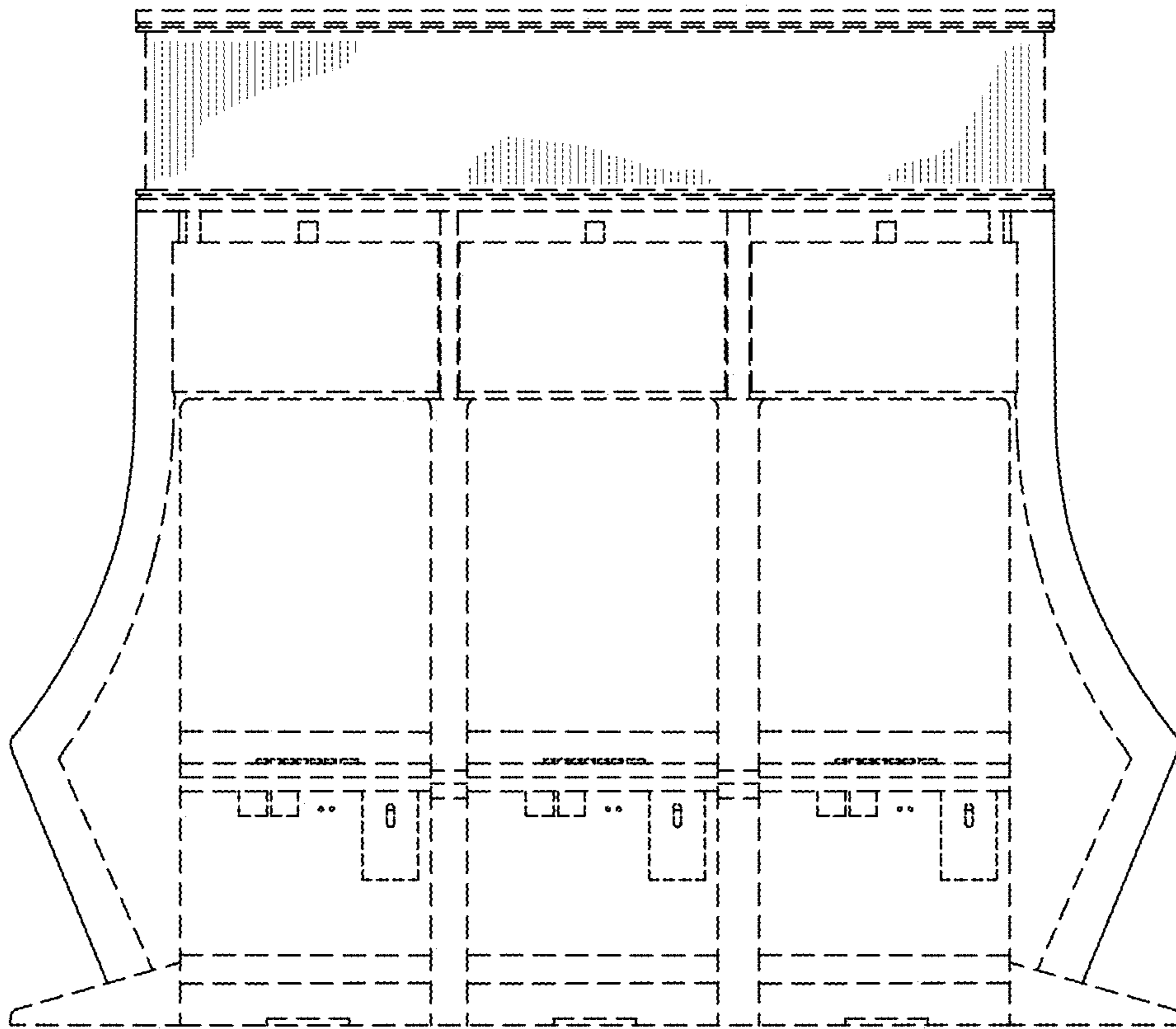


FIG. 3

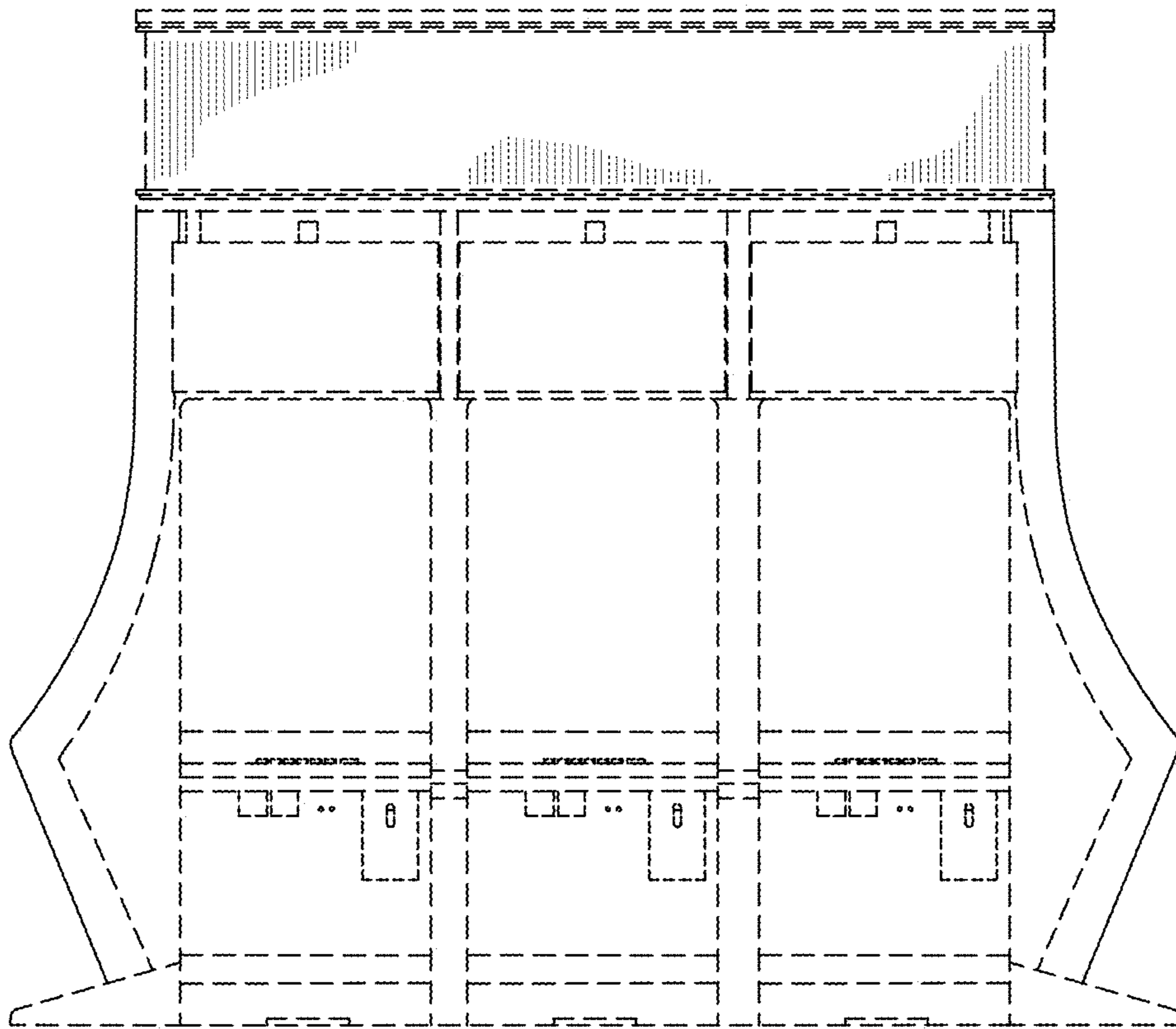


FIG. 4

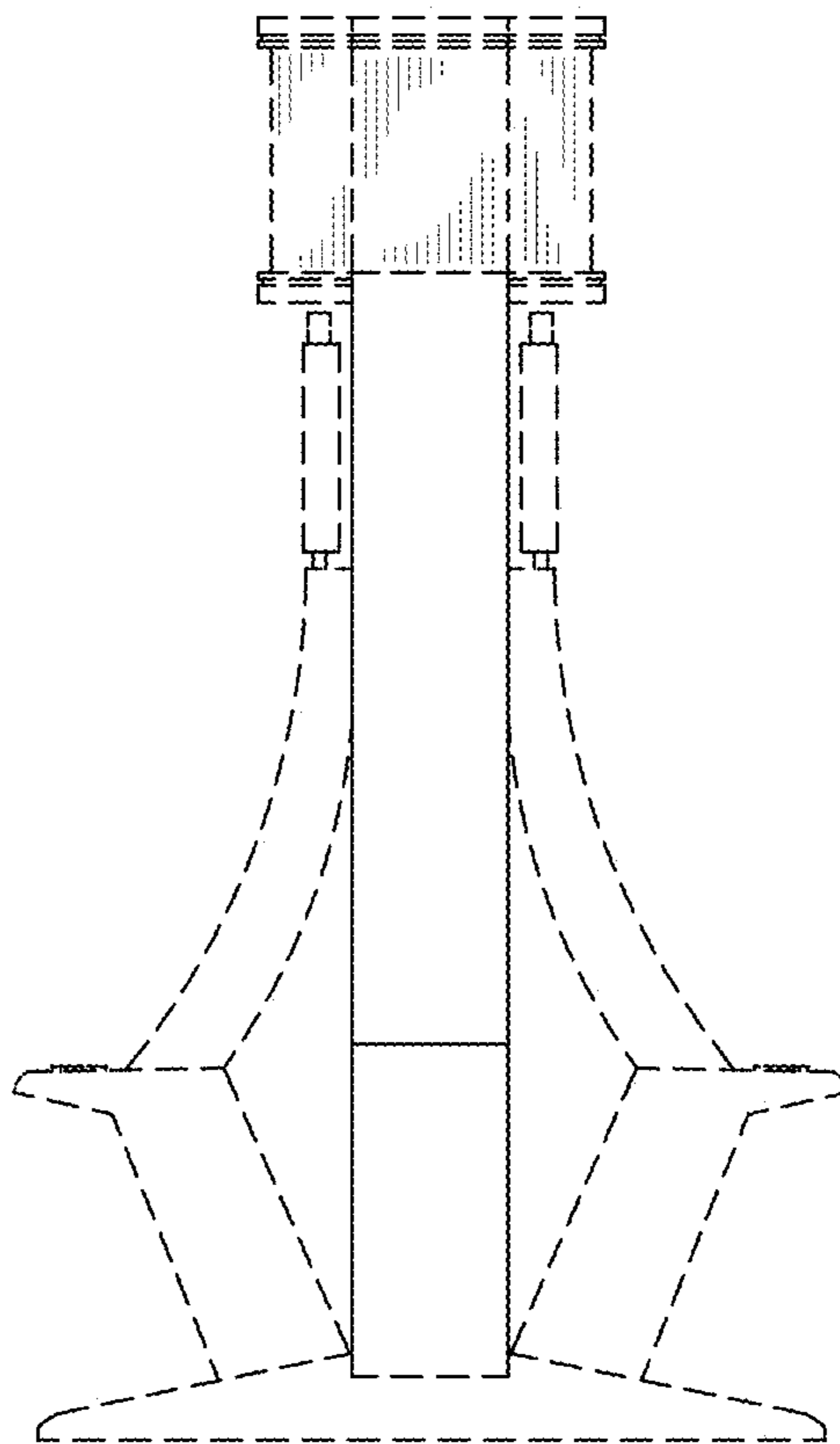


FIG. 5

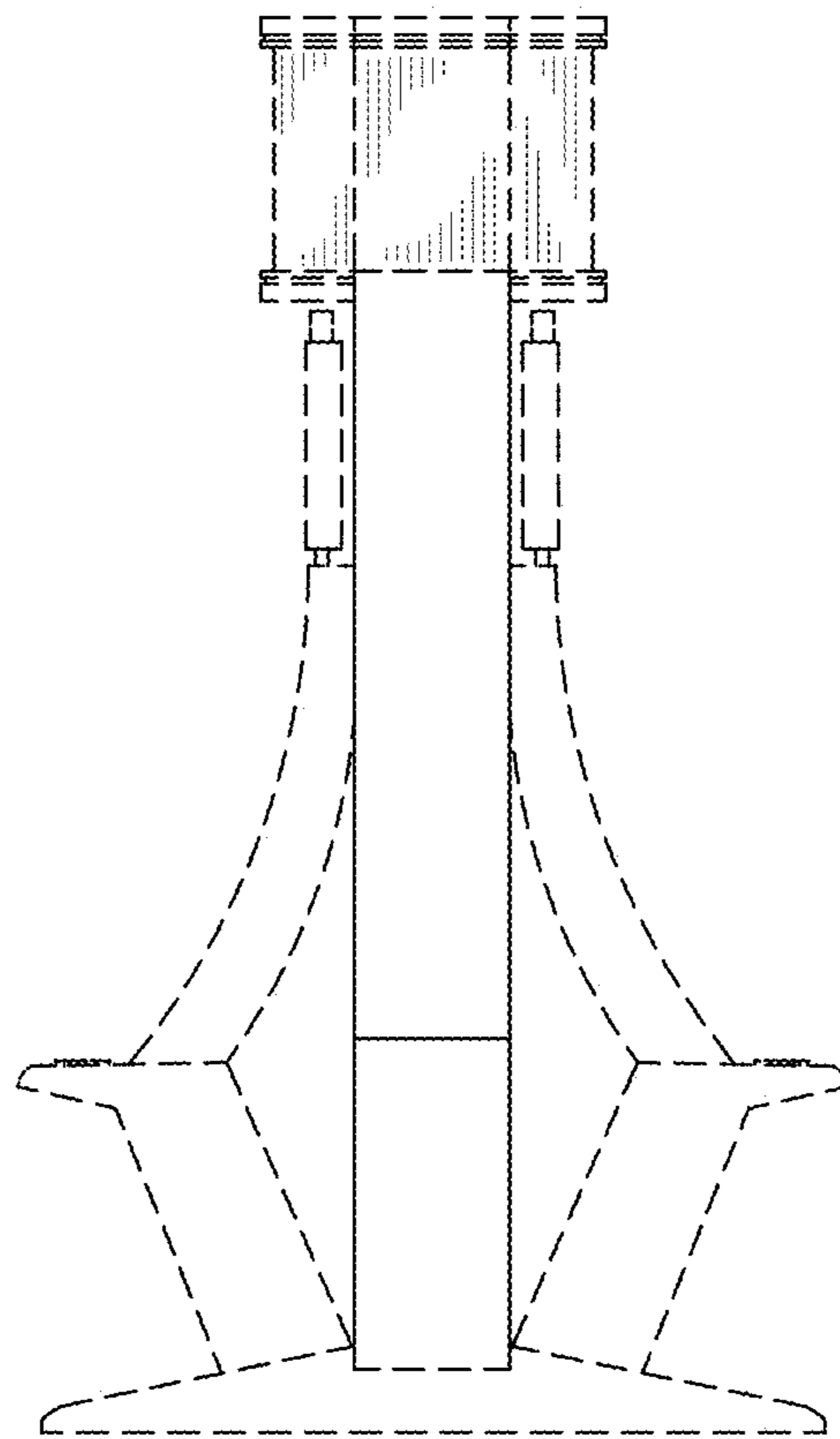


FIG. 6

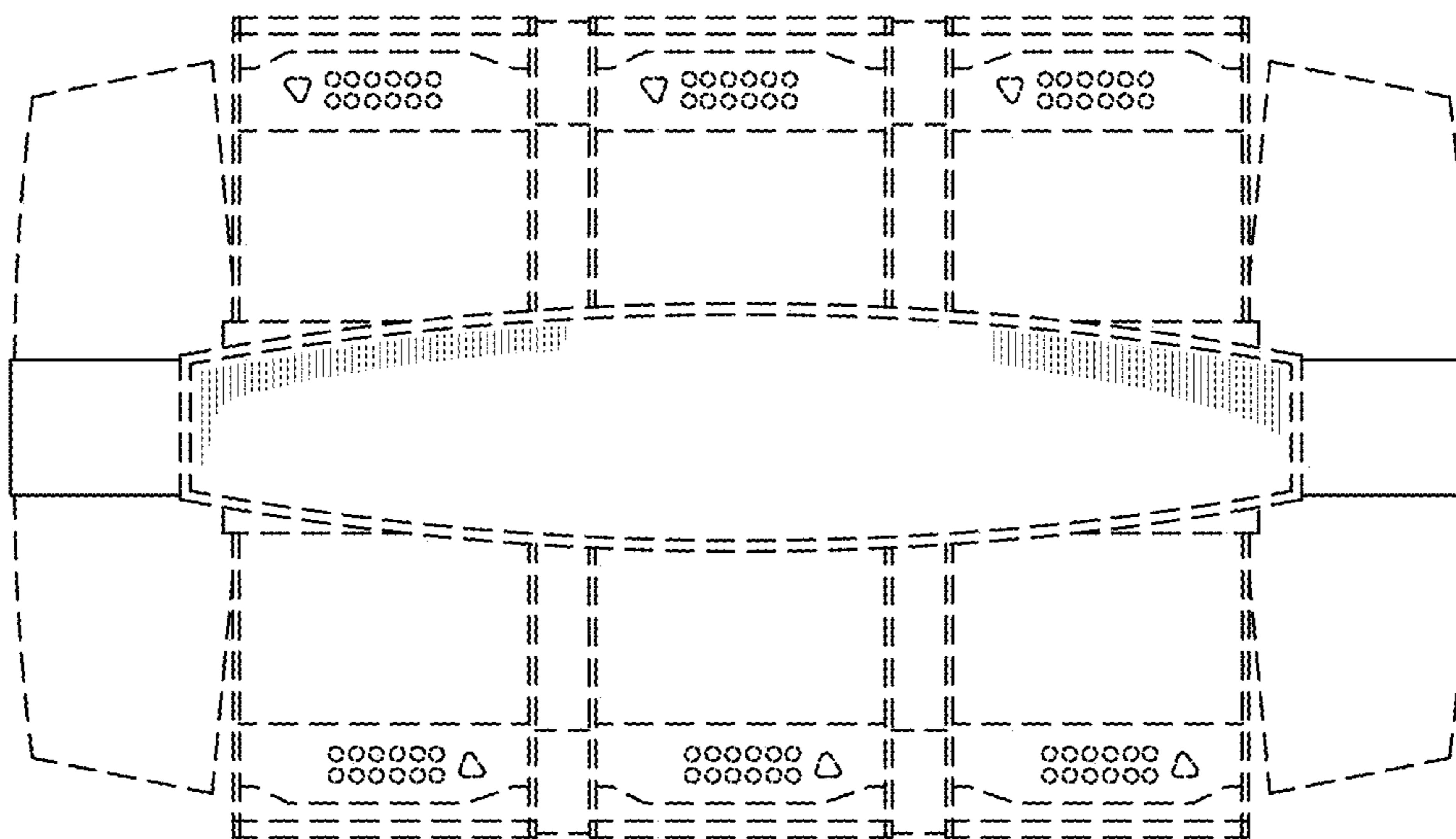


FIG. 7

