



US00D897437S

(12) **United States Design Patent** (10) **Patent No.:** **US D897,437 S**
Ehara et al. (45) **Date of Patent:** **** Sep. 29, 2020**

(54) **COMPUTER**

(71) Applicant: **Nintendo Co., Ltd.**, Kyoto (JP)
(72) Inventors: **Yui Ehara**, Kyoto (JP); **Yuko Zenri**,
Kyoto (JP); **Junichiro Miyatake**, Kyoto
(JP); **Tetsuya Akama**, Kyoto (JP);
Hitoshi Tsuchiya, Kyoto (JP)
(73) Assignee: **Nintendo Co., Ltd.**, Kyoto (JP)
(**) Term: **15 Years**

(21) Appl. No.: **29/645,459**
(22) Filed: **Apr. 26, 2018**

Related U.S. Application Data

(62) Division of application No. 29/595,213, filed on Feb.
27, 2017, now Pat. No. Des. 819,696.

(30) **Foreign Application Priority Data**

Aug. 30, 2016 (JP) 2016-018388
Aug. 30, 2016 (JP) 2016-018389
Aug. 30, 2016 (JP) 2016-018390

(51) **LOC (12) Cl.** **21-01**

(52) **U.S. Cl.**
USPC **D21/331**

(58) **Field of Classification Search**

USPC D21/324-333, 341, 342, 349, 386;
D14/203, 203.7, 218, 250, 299, 322, 341,
D14/345, 346, 353, 354, 374, 375, 376,
D14/324-333, 342, 349, 386, 421, 432,
D14/440, 443, 463, 496, 507
CPC A45C 13/00; A45C 13/001; A45C 13/002;
A63F 13/10; A63F 13/98; A63F 13/24;
A63F 9/0291; A63F 13/06; A63F
2300/204; A63F 13/92; H04N 5/232
See application file for complete search history.

(56) **References Cited**

U.S. PATENT DOCUMENTS

D265,326 S * 7/1982 Sugiyama D21/331
D320,624 S * 10/1991 Taylor D21/331
D328,474 S * 8/1992 Chen D21/331
6,042,478 A 3/2000 Ng
D529,493 S 10/2006 Ogasawara
7,711,397 B2 5/2010 Kim
D619,989 S * 7/2010 Huang D14/138 AD
(Continued)

OTHER PUBLICATIONS

“7 things the Nintendo Switch does”, posted Oct. 20, 2016
[online], [retrieved Jan. 2, 2020]. Retrieved from internet, <https://www.youtube.com/watch?v=jPude3R45co>.*

(Continued)

Primary Examiner — Sandra Snapp
Assistant Examiner — Mehri F. Bajoul
(74) *Attorney, Agent, or Firm* — Nixon & Vanderhye PC

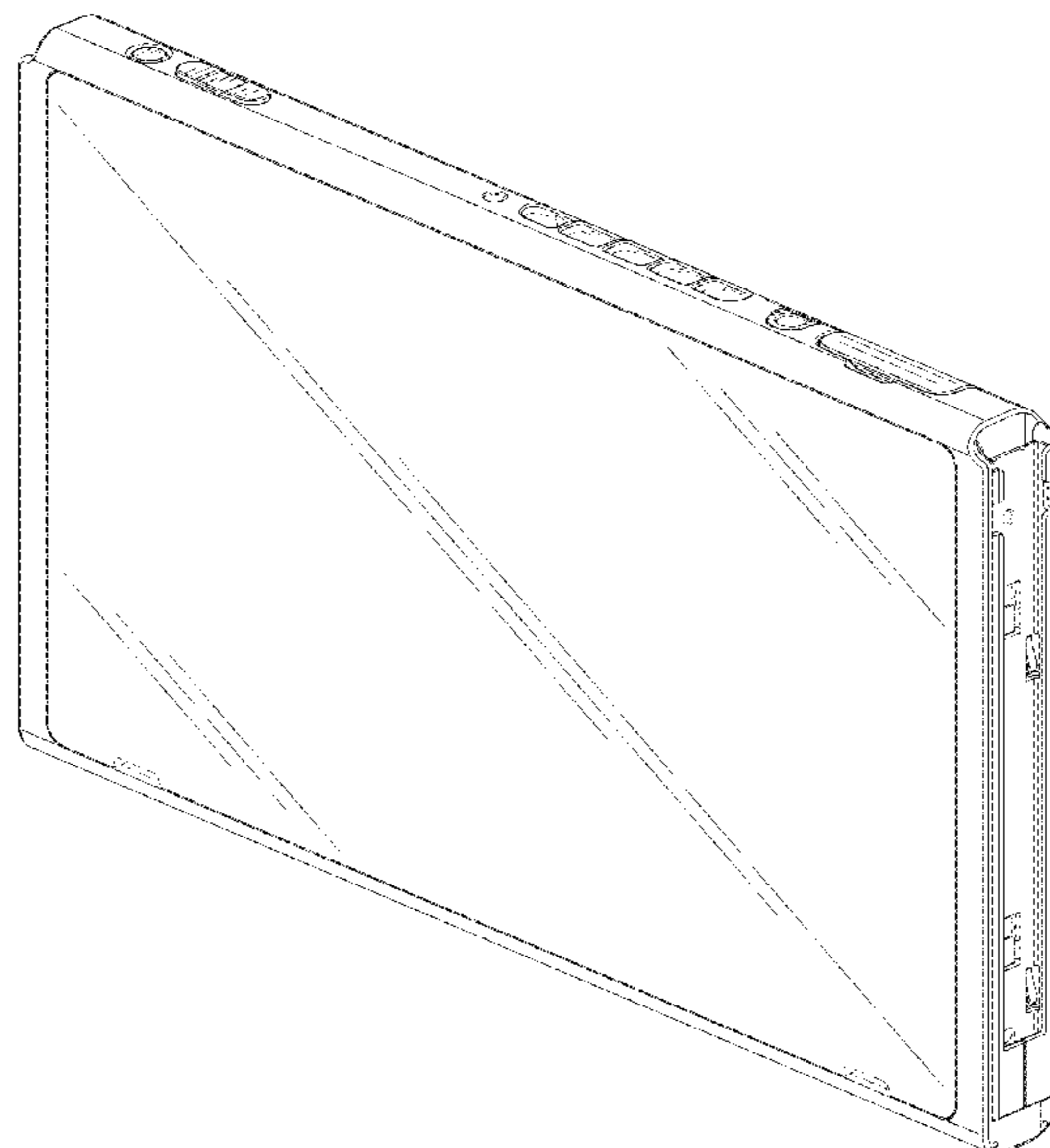
(57) **CLAIM**

The ornamental design for a computer, as shown and
described.

DESCRIPTION

FIG. 1 is a front side perspective view of a computer
showing our new design;
FIG. 2 is a back side perspective view thereof;
FIG. 3 is a front view thereof;
FIG. 4 is a back view thereof;
FIG. 5 is a top view thereof;
FIG. 6 is a bottom view thereof;
FIG. 7 is a right view thereof;
FIG. 8 is a left view thereof; and,
FIG. 9 a back side perspective view setting a stand thereof.
The broken lines show portions of the computer that form no
part of the claimed design.

1 Claim, 7 Drawing Sheets



(56)

References Cited

U.S. PATENT DOCUMENTS

D619,991 S * 7/2010 Huang D14/138 G
 D620,056 S 7/2010 Yano
 D638,374 S 5/2011 Corcoran
 D650,447 S * 12/2011 Ehara D21/330
 8,105,169 B2 1/2012 Ogasawara
 D657,823 S * 4/2012 Gutowski D21/325
 D664,601 S 7/2012 Sogabe
 D681,127 S * 4/2013 Ashida D21/328
 D681,128 S * 4/2013 Ashida D14/401
 D686,669 S * 7/2013 Ashida D21/328
 D689,138 S * 9/2013 Ashida D21/332
 D691,663 S * 10/2013 Ashida D21/332
 D692,882 S 11/2013 Lakraa
 D697,139 S * 1/2014 Sugino D14/345
 D720,342 S 12/2014 Starrett
 D736,959 S 8/2015 Edgar
 D740,885 S 10/2015 Nokuo
 D741,952 S 10/2015 Nokuo
 D745,606 S * 12/2015 Ehara D21/330
 D819,696 S * 6/2018 Ehara D14/496
 10,434,424 B2 * 10/2019 Miwa A63F 13/22
 10,441,883 B2 * 10/2019 Mizuta A63F 13/211
 10,456,665 B2 * 10/2019 Mizuta G07F 17/3218
 D867,365 S * 11/2019 Corigliano D14/401
 D868,052 S * 11/2019 Jia D14/250

10,471,346 B2 * 11/2019 Yamashita A63F 13/25
 10,481,702 B2 * 11/2019 Hirose G06F 3/0338
 10,482,657 B2 * 11/2019 Kitazono A63F 13/25
 D868,790 S * 12/2019 Weng D14/440
 10,500,495 B2 * 12/2019 Gohara A63F 13/54
 10,512,842 B2 * 12/2019 Okamura G06F 12/08
 10,516,280 B2 * 12/2019 Tamaki G06F 1/1671
 10,518,171 B2 * 12/2019 Akifusa A63F 13/25
 2012/0320503 A1 * 12/2012 Yturralde G06F 1/1628
 361/679.01
 2015/0280768 A1 * 10/2015 Huang H04B 1/3888
 455/575.8
 2019/0351320 A1 * 11/2019 Koizumi A63F 13/2145
 2019/0358533 A1 * 11/2019 Takei A63F 13/235
 2019/0358534 A1 * 11/2019 Fang A63F 13/24
 2019/0366211 A1 * 12/2019 Suzuki A63F 13/98
 2019/0374852 A1 * 12/2019 Sakaguchi A63F 13/98

OTHER PUBLICATIONS

“Nintendo Switch”, posted May 22, 2018 [online], [retrieved Jan. 2, 2020]. Retrieved from internet, https://www.youtube.com/watch?v=qB_u2BDaU9U.
 Design U.S. Appl. No. 29/595,213, filed Feb. 27, 2017, Ehara et al.
 Design U.S. Appl. No. 29/645,440, filed Apr. 26, 2018, Ehara et al.

* cited by examiner

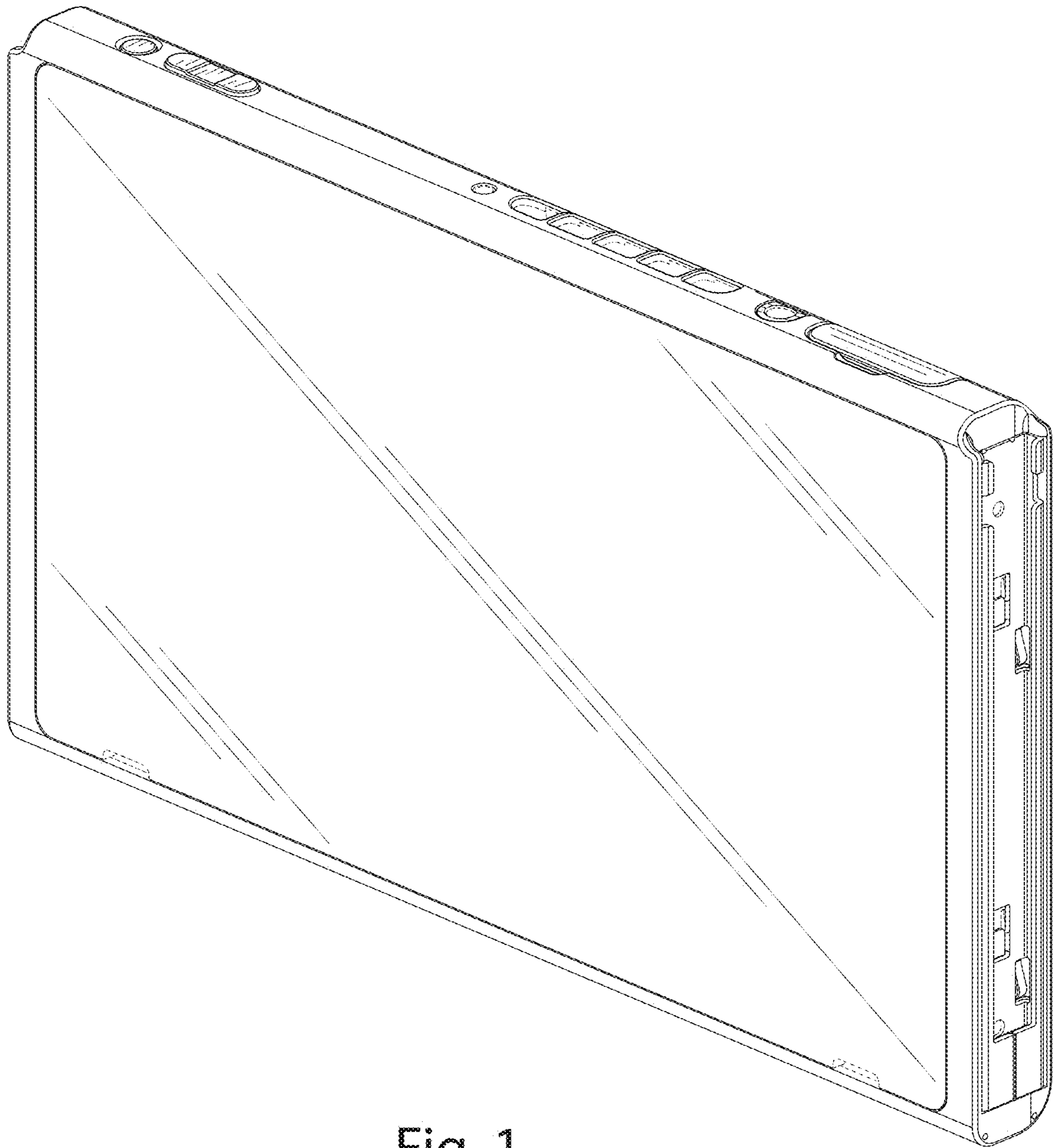


Fig. 1

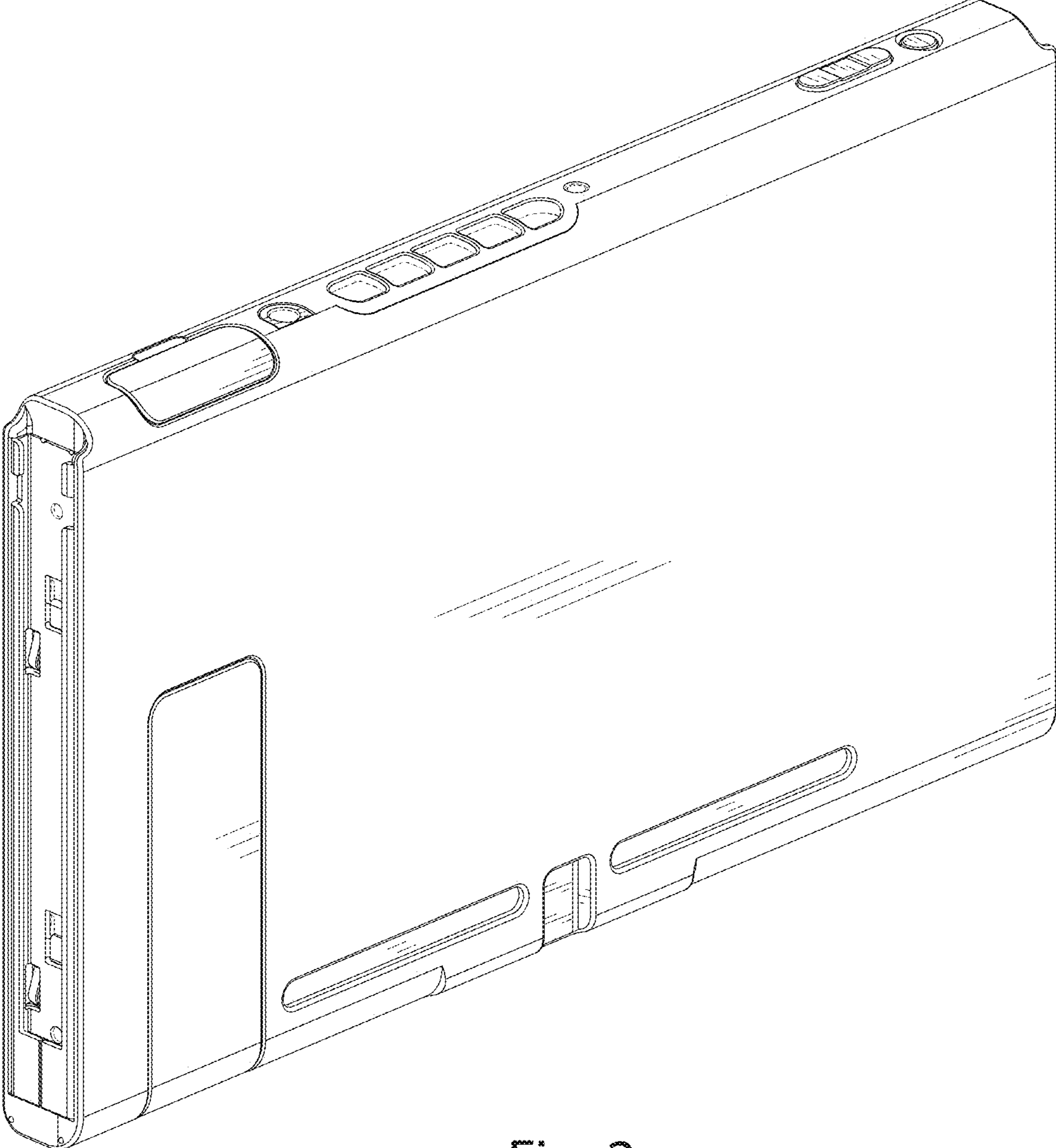


Fig. 2

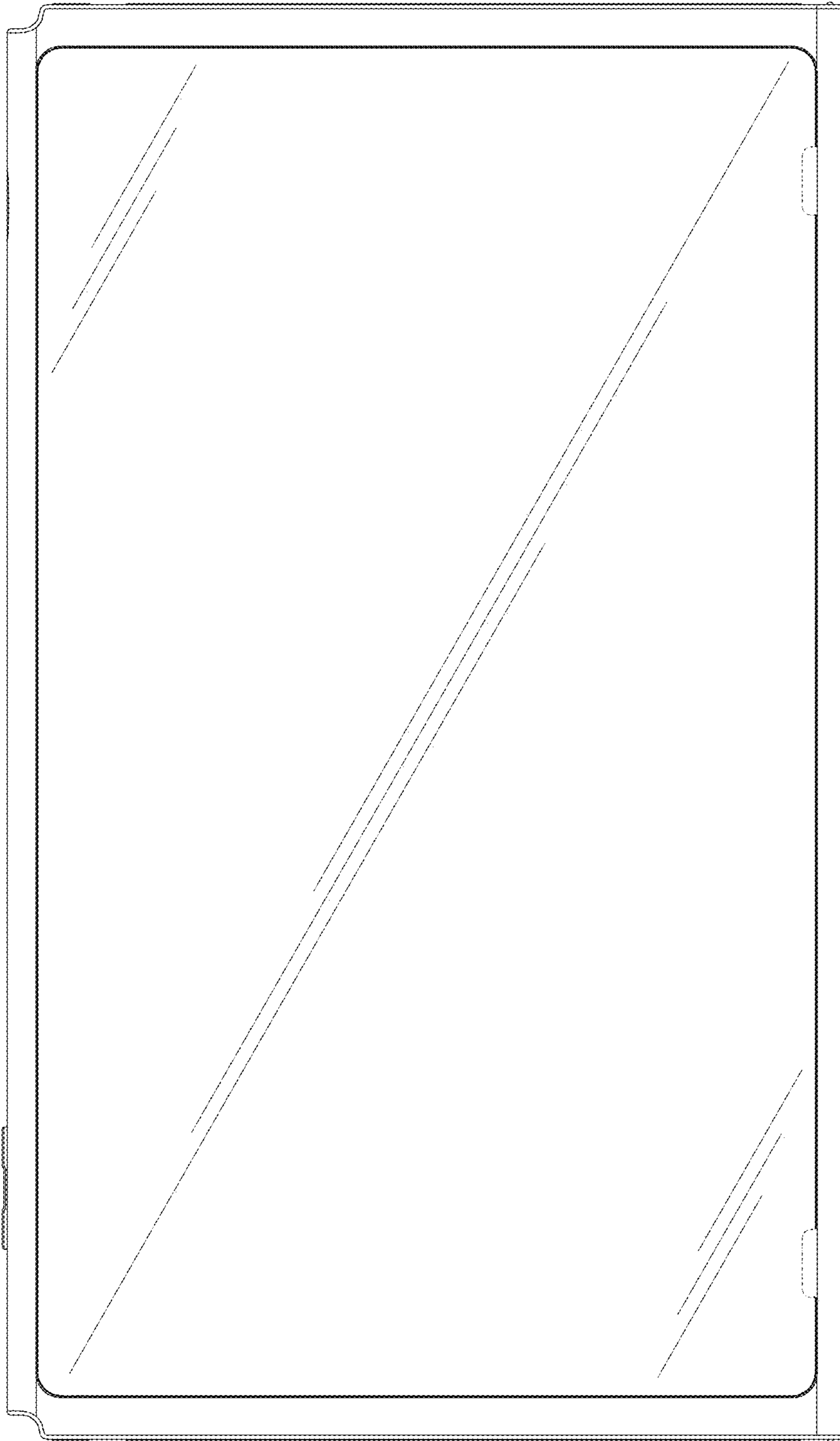


Fig. 3

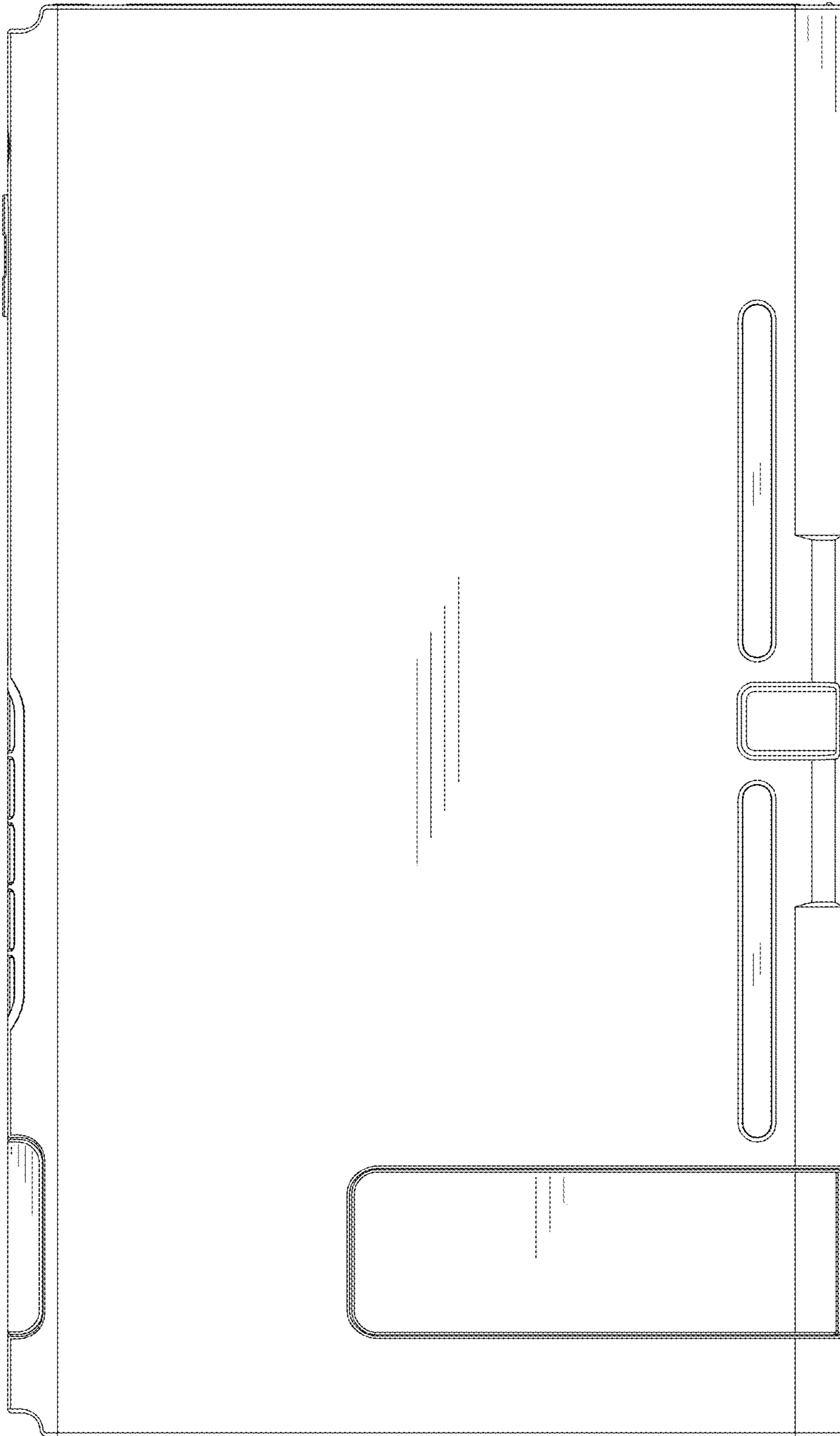


Fig. 4

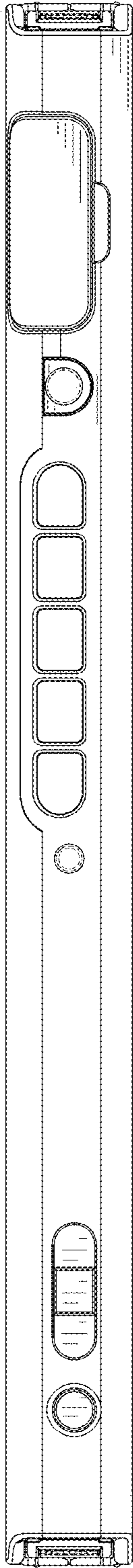


Fig. 5

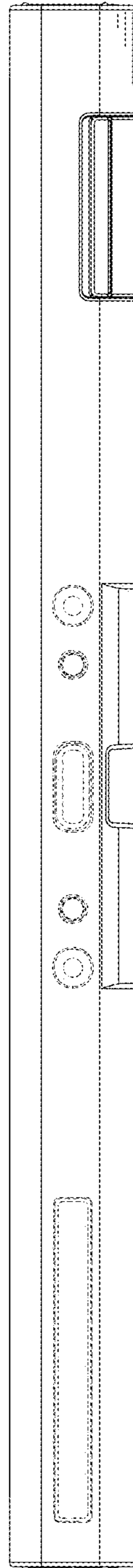


Fig. 6

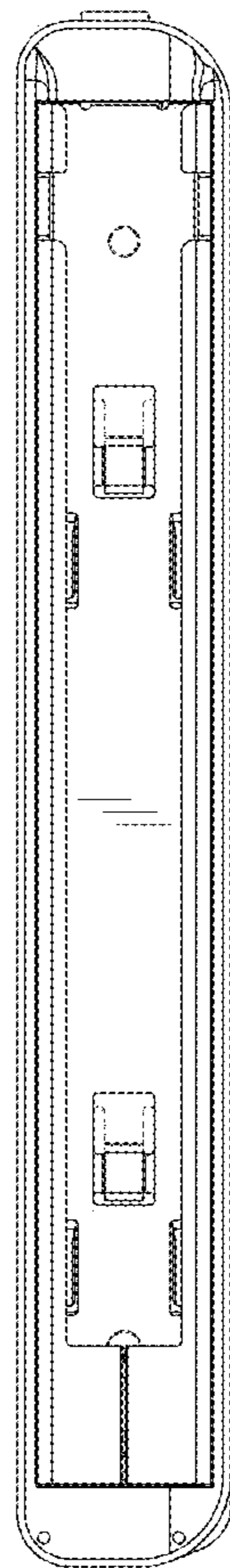


Fig. 7

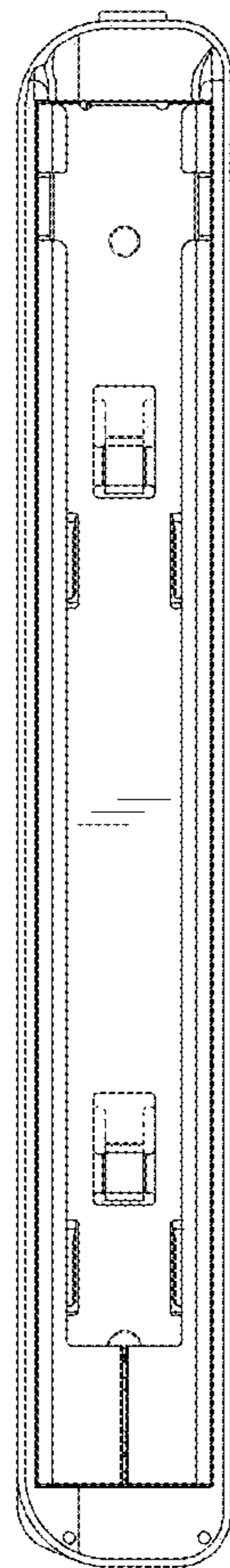


Fig. 8

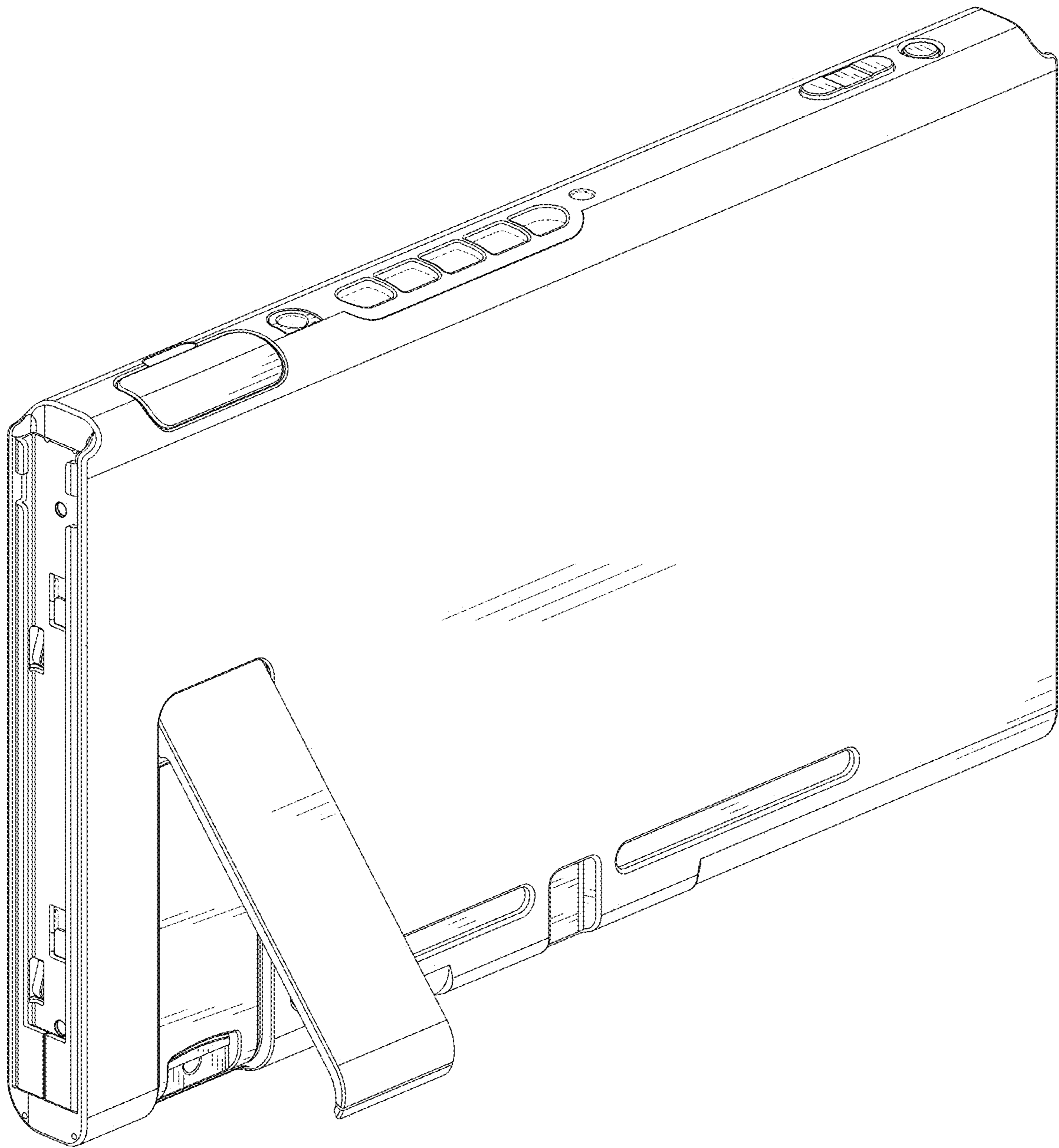


Fig. 9