



US00D897436S

(12) **United States Design Patent**
Butler et al.

(10) **Patent No.:** **US D897,436 S**

(45) **Date of Patent:** **** Sep. 29, 2020**

(54) **ELECTRONIC COMPANION CONSOLE**

(71) Applicant: **Square Panda Inc.**, Sunnyvale, CA (US)

(72) Inventors: **Andrew Butler**, Sunnyvale, CA (US); **Michael Nuttall**, Portola Valley, CA (US); **Carey Lee**, Redwood City, CA (US); **Shalan Ertis**, Campbell, CA (US); **Timothy James Elliott**, New York, NY (US); **Hector Javier Farias**, Castro Valley, CA (US)

(73) Assignee: **Square Panda Inc.**, Sunnyvale, CA (US)

(**) Term: **15 Years**

(21) Appl. No.: **29/661,932**

(22) Filed: **Aug. 31, 2018**

(51) **LOC (12) Cl.** **21-01**

(52) **U.S. Cl.**
USPC **D21/324**

(58) **Field of Classification Search**
USPC D21/300, 324, 328, 332, 333; D17/20; D19/115, 128, 188, 100; 273/148 R, 273/148 B; 463/1, 46, 47, 43; 84/718, 84/722; D14/315, 318, 320, 322, 330, D14/335, 338, 346, 356, 374, 381, 382, D14/387, 388, 399, 400, 422, 439, 451, D14/455, 456, 474, 129, 133, 137, 138 R, D14/140.1, 163, 178, 199, 208, 217, 261
CPC G06F 1/1626; G06F 1/1656; G09B 19/00; G09B 19/08; H04B 1/0458
See application file for complete search history.

(56) **References Cited**

U.S. PATENT DOCUMENTS

D247,002 S * 1/1978 Katoh D21/332
D303,127 S * 8/1989 Biasotti D21/332
D324,243 S * 2/1992 Meggison D10/46.1

D412,187 S * 7/1999 Kitamori D14/435
D416,888 S * 11/1999 Kitamori D14/435
D428,939 S * 8/2000 Ota D21/332
D460,495 S * 7/2002 Naghi D21/333
D479,860 S * 9/2003 Lim D14/217
D500,528 S * 1/2005 Morris D21/324
D516,634 S * 3/2006 Man-tat D21/332

(Continued)

OTHER PUBLICATIONS

“Square Panda”, posted Dec. 14, 2017 [online], [retrieved Jan. 20, 2020]. Retrieved from internet, <https://www.youtube.com/watch?v=iWfVrIO7y64>.*

Primary Examiner — Sandra S Snapp

Assistant Examiner — Mehri Bajoul

(74) *Attorney, Agent, or Firm* — Schwegman Lundberg & Woessner, P.A.

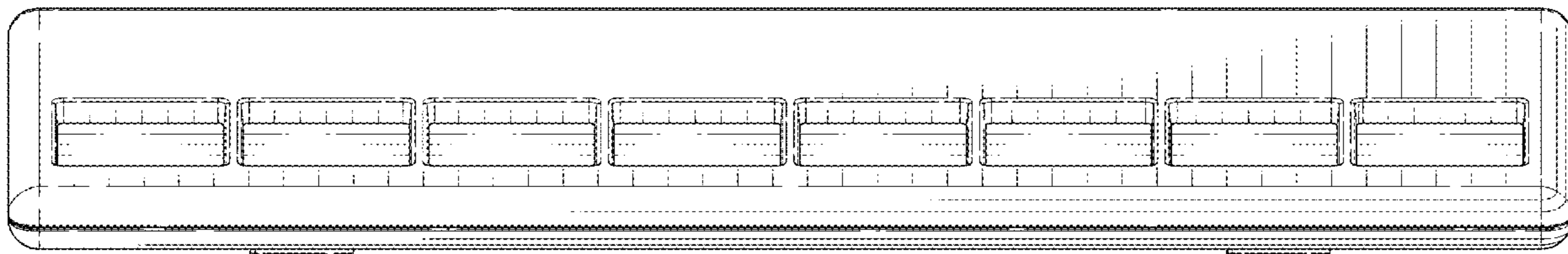
(57) **CLAIM**

The ornamental design for an electronic companion console, as shown and described.

DESCRIPTION

FIG. 1 is a front view of an electronic companion console, showing our new design.
FIG. 2 is a rear view thereof.
FIG. 3 is a left view thereof
FIG. 4 is a right view thereof.
FIG. 5 is a top view thereof.
FIG. 6 is a bottom view thereof.
FIG. 7 is a top-front-right perspective view thereof.
FIG. 8 is a top-rear-right perspective view thereof.
FIG. 9 is a bottom-rear-left perspective view thereof; and, FIG. 10 is bottom-front-left perspective view thereof.
In the drawings, the broken lines depict portions of the electronic companion console, and the broken lines form no part of the claimed design.
The shade lines show surface contour and not surface ornamentation.

1 Claim, 8 Drawing Sheets



(56)

References Cited

U.S. PATENT DOCUMENTS

D536,382 S *	2/2007	Sugino	D21/332	D667,891 S *	9/2012	Hermann, II	D21/300
D539,355 S *	3/2007	Fujita	D14/435	D748,734 S *	2/2016	Burgess	D21/333
D546,396 S *	7/2007	Matsuno	D21/324	D752,039 S *	3/2016	Park	D14/203.3
D559,327 S *	1/2008	Luk	D21/330	D782,567 S *	3/2017	Faoro	D17/20
D568,884 S *	5/2008	Kawanobe	D14/401	D788,768 S *	6/2017	Hsieh	D14/315
D580,429 S *	11/2008	Cheng	D14/315	D789,941 S *	6/2017	Sauvage	D14/455
D581,921 S *	12/2008	Kim	D14/315	D789,942 S *	6/2017	Bailey	D14/455
D584,304 S *	1/2009	Lin	D14/138 AB	D795,214 S *	8/2017	Tschopp	D14/138 G
D586,798 S *	2/2009	Tanaka	D14/315	D803,814 S *	11/2017	Harms	D14/217
D586,799 S *	2/2009	Gluskoter	D14/315	D804,450 S *	12/2017	Spiel	D14/217
D587,715 S *	3/2009	Davis	D14/432	D807,860 S *	1/2018	Tschetter	D14/217
D597,143 S *	7/2009	Izumi	D14/388	D809,484 S *	2/2018	Shi	D14/217
D602,095 S *	10/2009	Fujino	D14/436	D819,633 S *	6/2018	Jun	D14/363
D610,625 S *	2/2010	Guinchard	D21/333	D836,579 S *	12/2018	Gannon	D14/126
D611,103 S *	3/2010	Fujino	D21/332	D848,421 S *	5/2019	Turksu	D14/399
D616,947 S *	6/2010	Kloster	D21/333	D849,719 S *	5/2019	Branscomb	D14/217
D632,340 S *	2/2011	Guinchard	D21/324	D849,742 S *	5/2019	Siminoff	D14/399
D645,909 S *	9/2011	Fujita	D21/330	D850,460 S *	6/2019	Luo	D14/455
D650,447 S *	12/2011	Ehara	D21/330	D864,970 S *	10/2019	Magi	D14/436
				D872,709 S *	1/2020	Pang	D14/217
				2006/0050061 A1 *	3/2006	Aiken	G06F 1/1626 345/173

* cited by examiner

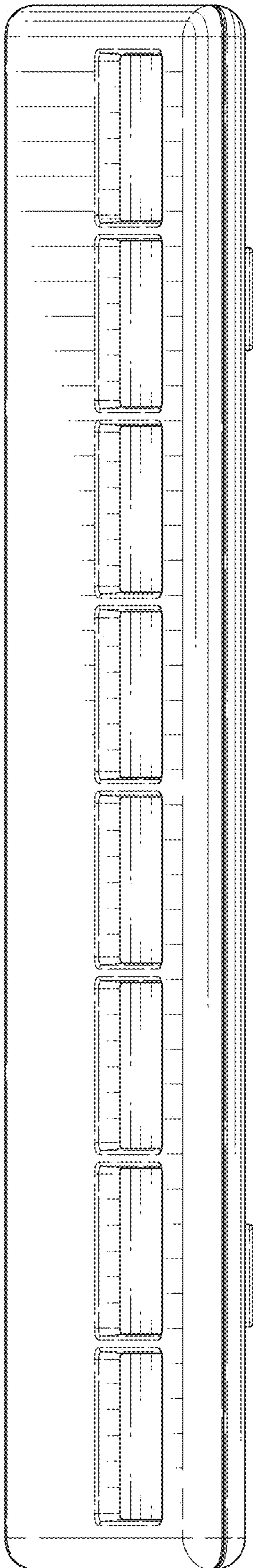


FIG. 1

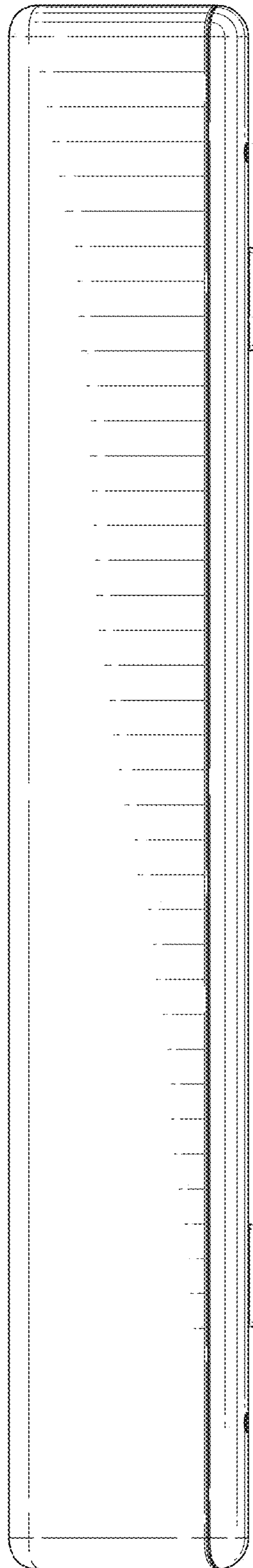


FIG. 2

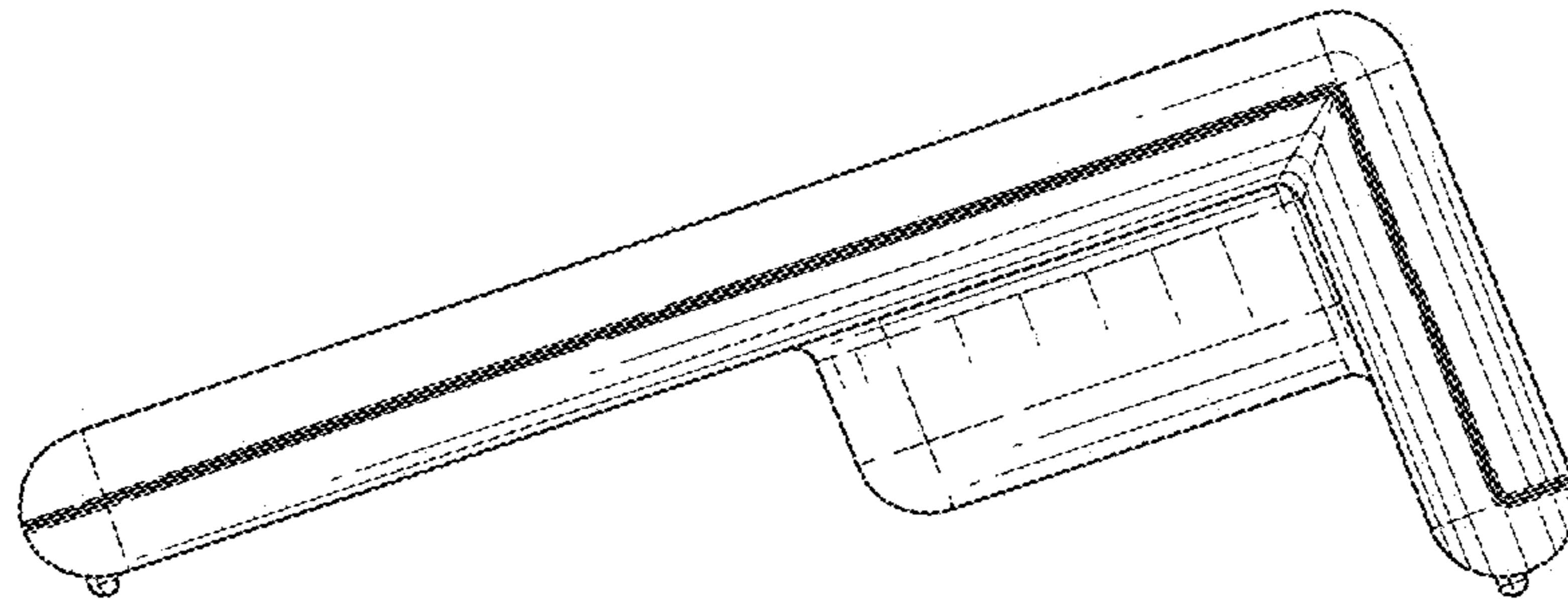


FIG. 3

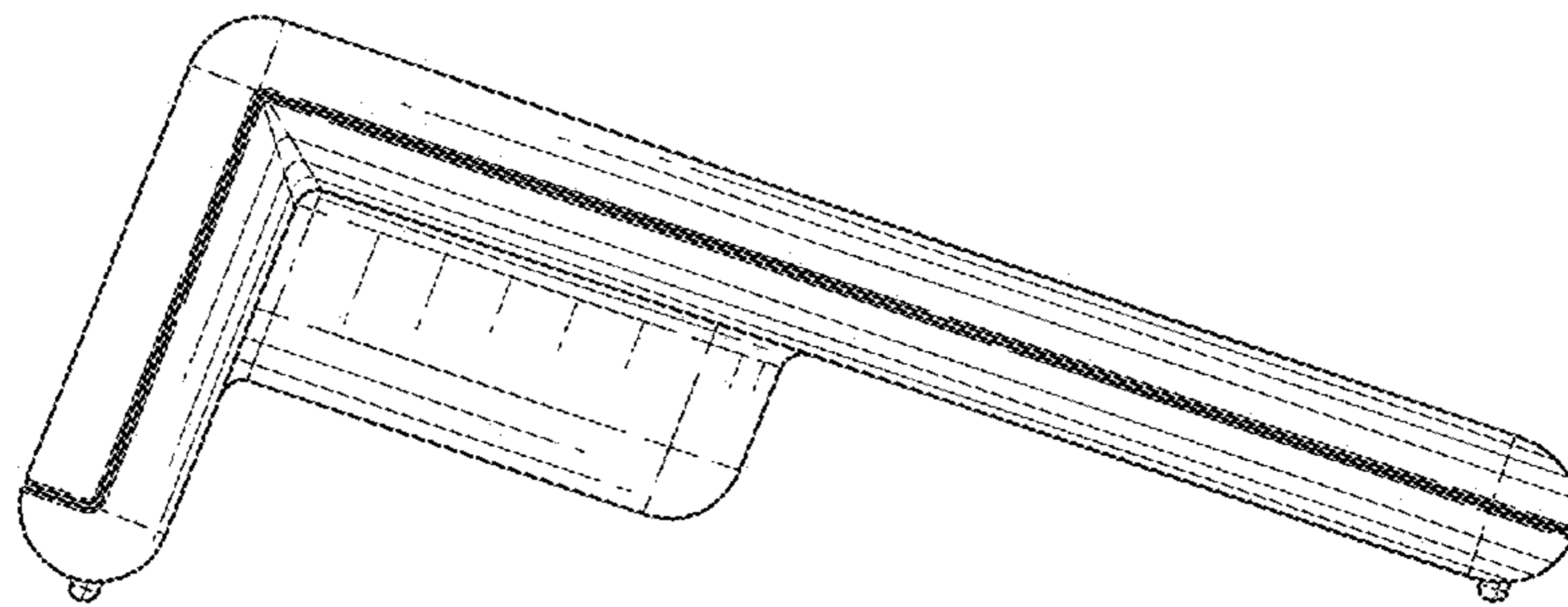


FIG. 4

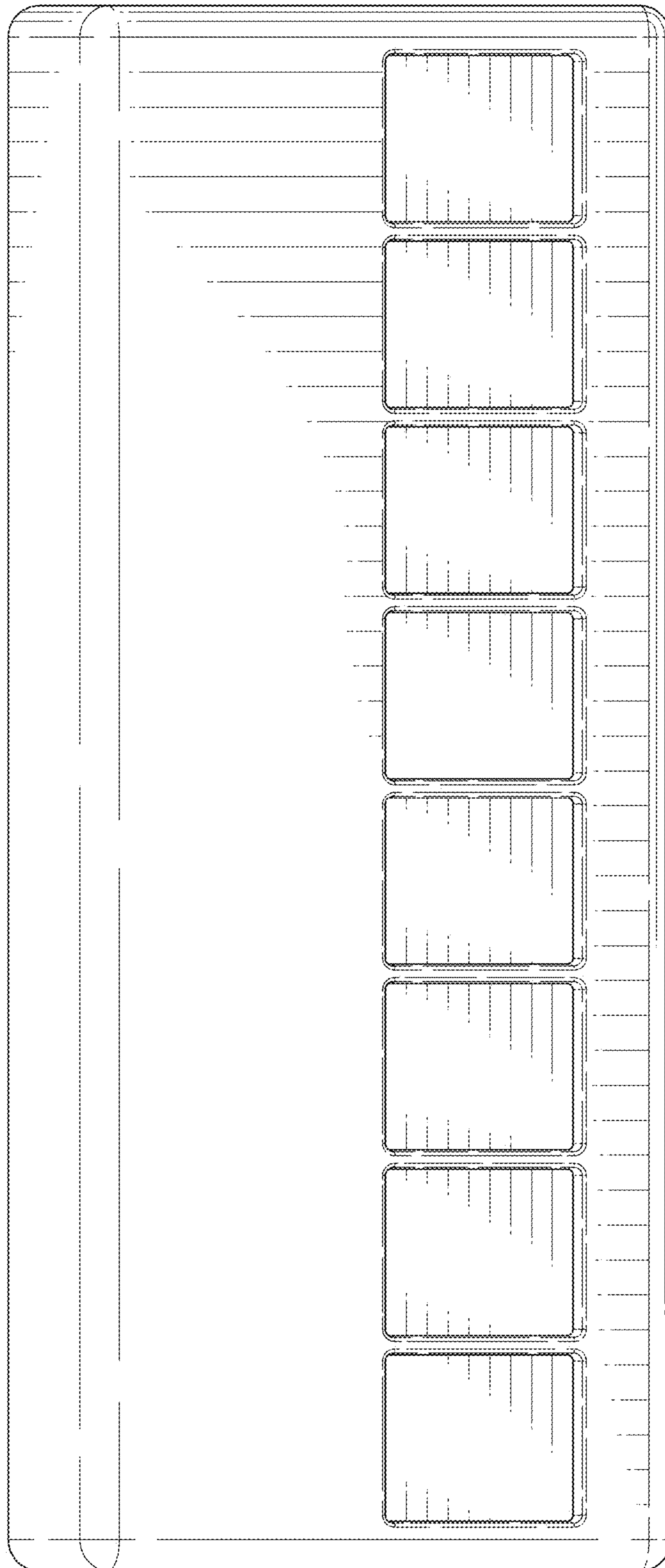


FIG. 5

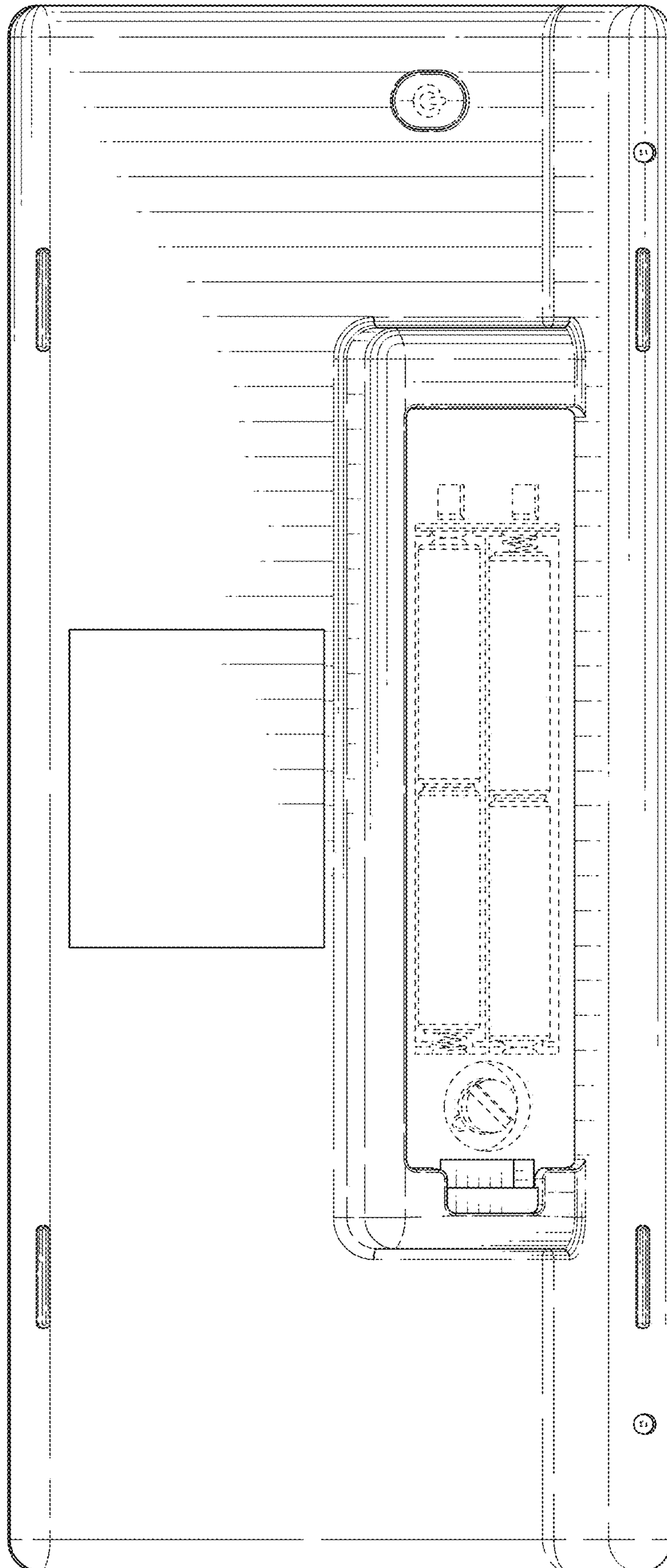


FIG. 6

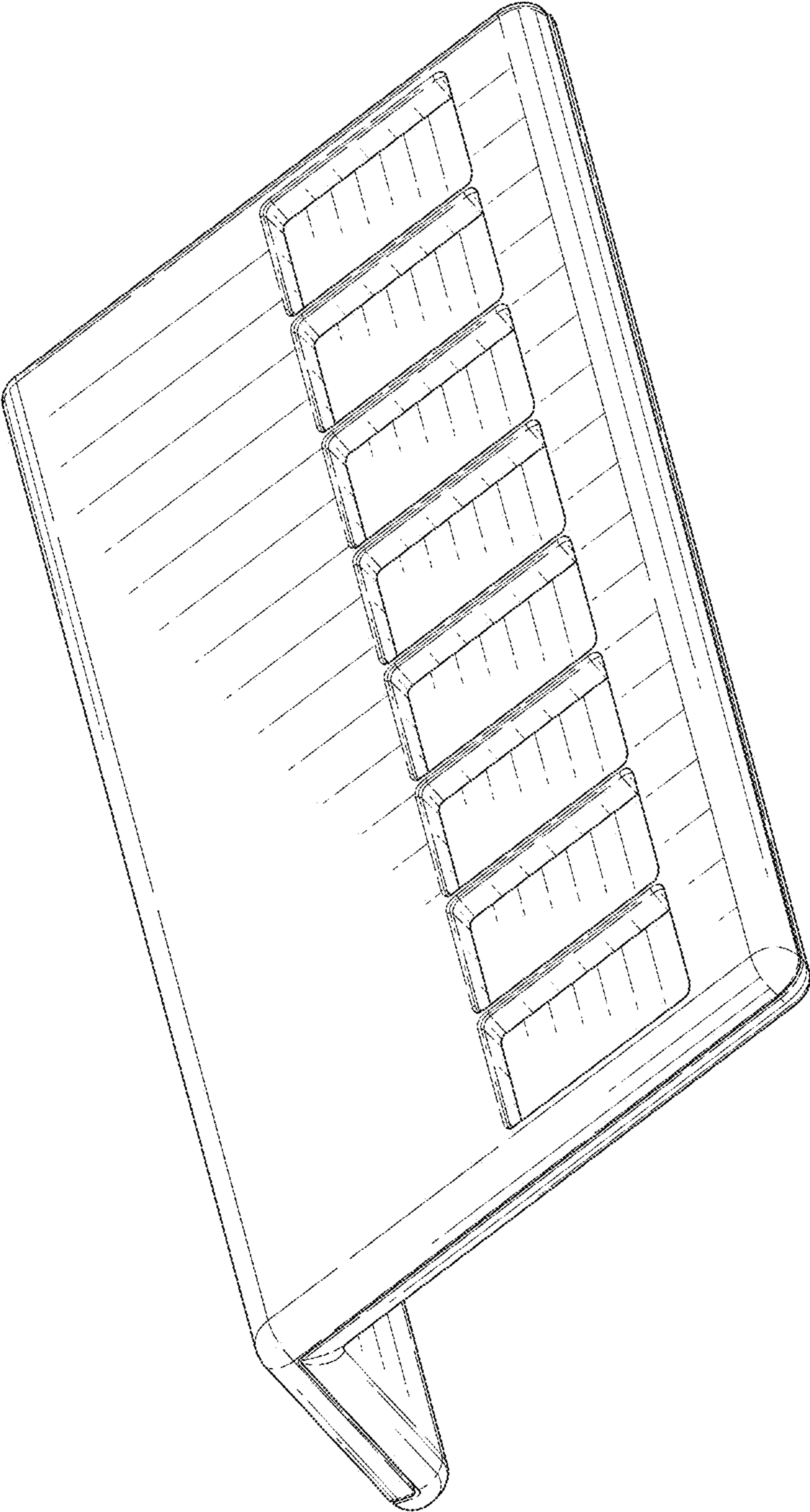


FIG. 7

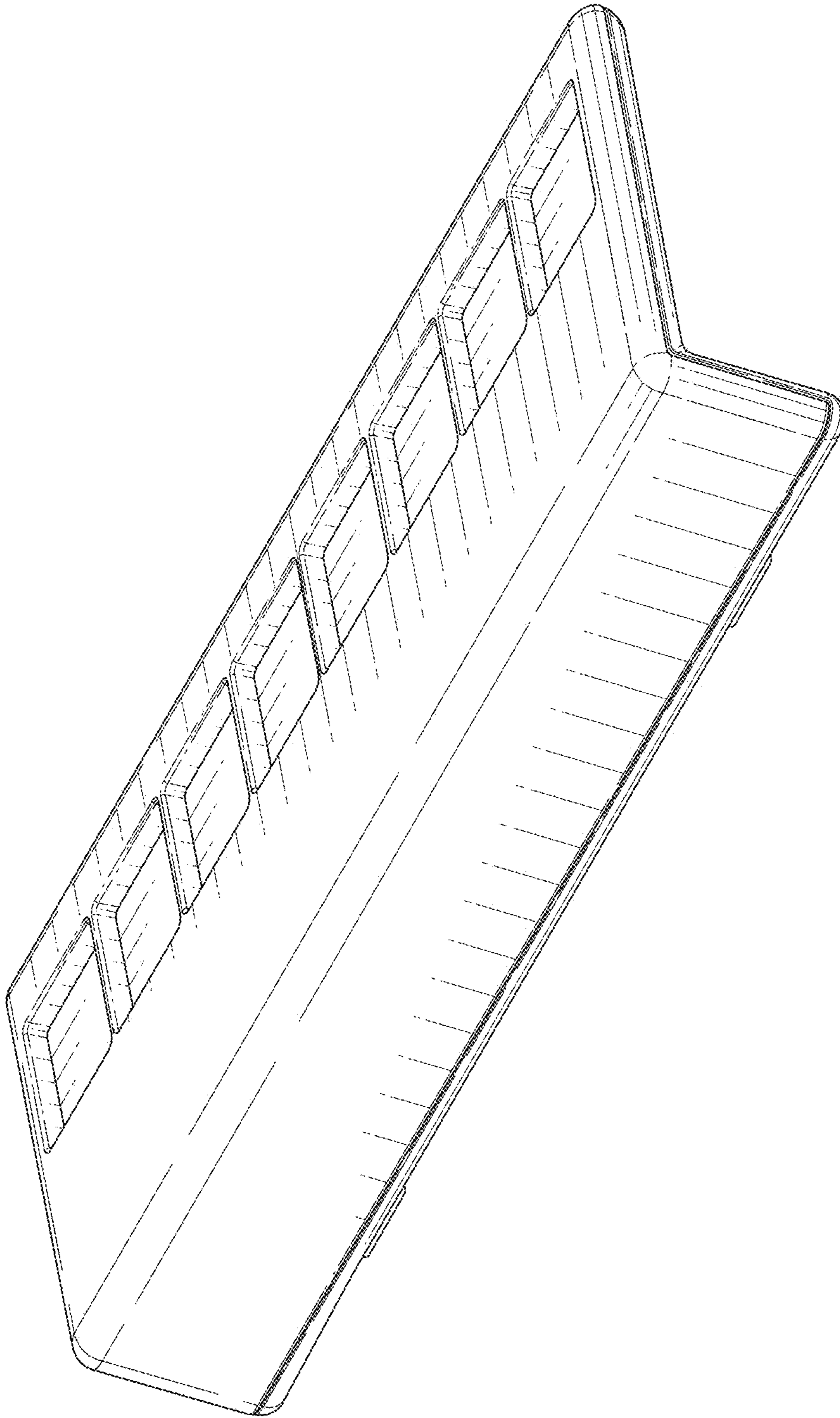


FIG. 8

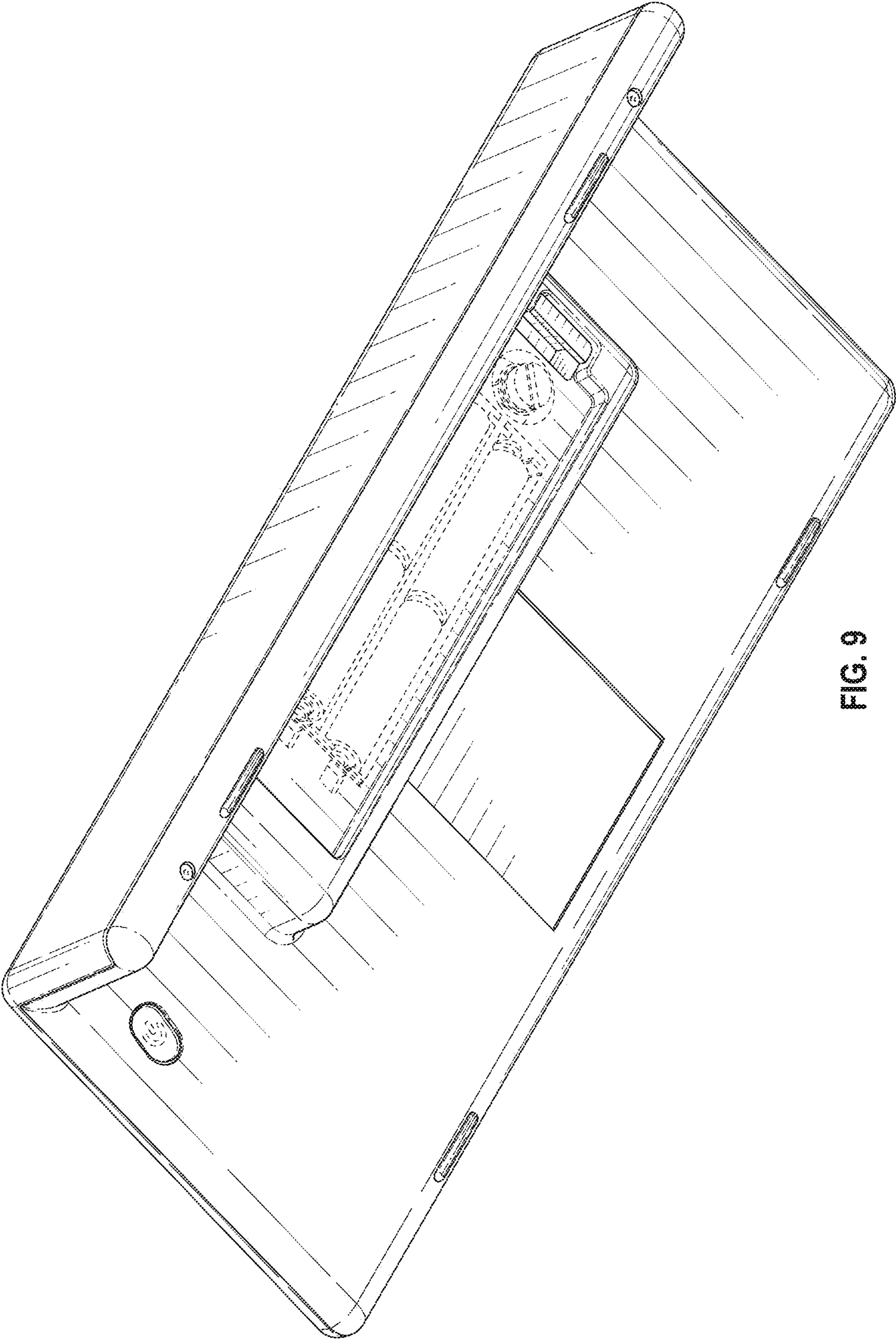


FIG. 9

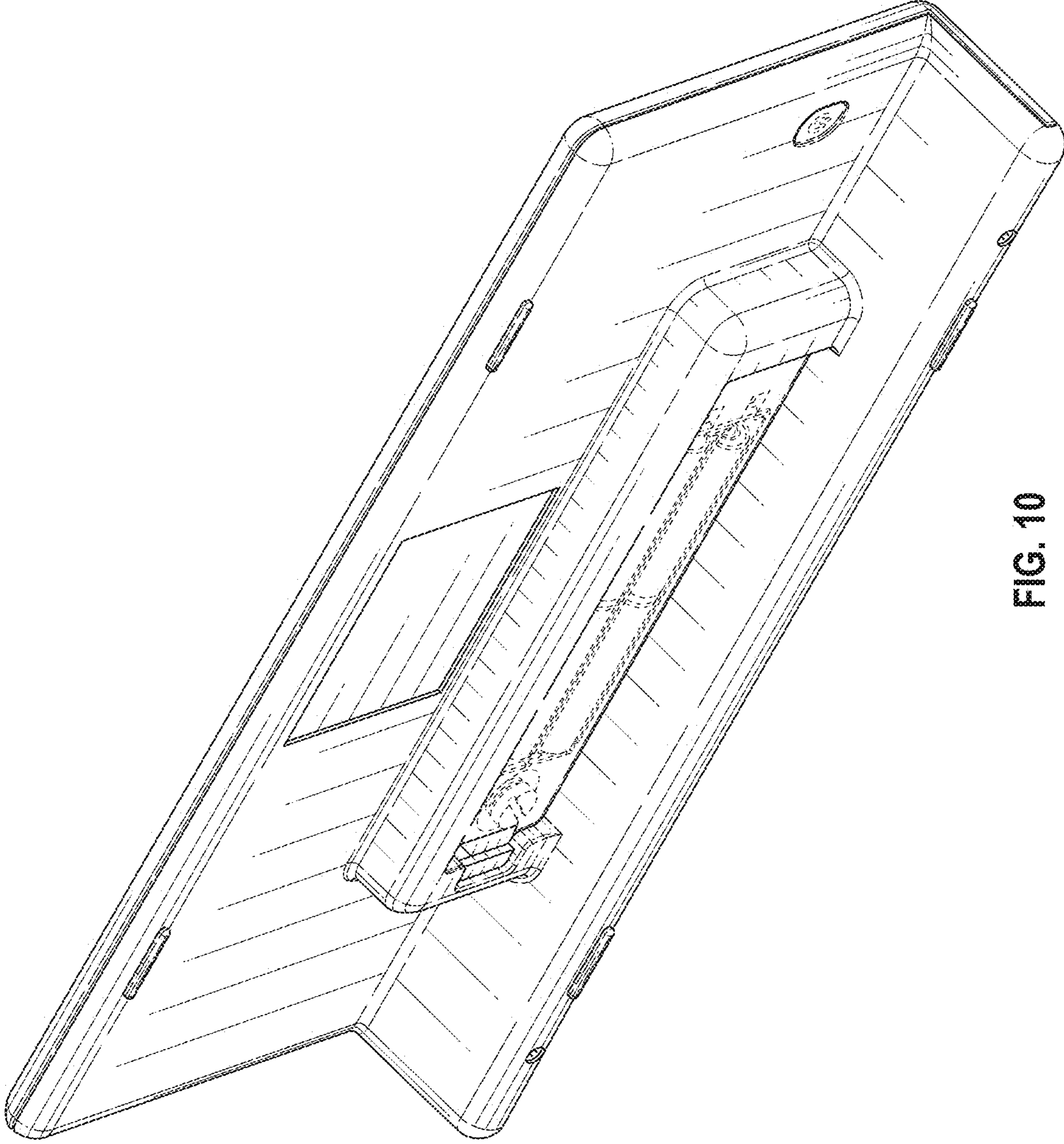


FIG. 10

UNITED STATES PATENT AND TRADEMARK OFFICE
CERTIFICATE OF CORRECTION

PATENT NO. : D897,436 S
APPLICATION NO. : 29/661932
DATED : September 29, 2020
INVENTOR(S) : Butler et al.

Page 1 of 1

It is certified that error appears in the above-identified patent and that said Letters Patent is hereby corrected as shown below:

On the Title Page

In Column 2, under "Description", Line 4, after "thereof", insert --.--

Signed and Sealed this
Sixteenth Day of February, 2021



Drew Hirshfeld
*Performing the Functions and Duties of the
Under Secretary of Commerce for Intellectual Property and
Director of the United States Patent and Trademark Office*