



US00D897432S

(12) **United States Design Patent** (10) **Patent No.:** **US D897,432 S**
Florin (45) **Date of Patent:** **** Sep. 29, 2020**

(54) **WHITEBOARD**
(71) Applicant: **Tangerine Ideas, Inc.**, Dover, DE (US)
(72) Inventor: **Stefan Cristian Florin**, Bucharest (RO)
(73) Assignee: **Tangerine Ideas, Inc.**, Dover, DE (US)
(**) Term: **15 Years**
(21) Appl. No.: **29/664,219**
(22) Filed: **Sep. 24, 2018**
(51) **LOC (12) Cl.** **19-06**
(52) **U.S. Cl.**
USPC **D19/114**
(58) **Field of Classification Search**
USPC D19/75, 91, 20-24, 113, 114; D20/10,
D20/39, 40, 41, 42; D6/310, 311
CPC B43L 1/00; B43L 1/008; B43L 1/08; B43L
1/04; B43L 5/00; B43L 5/02; G09F 1/12;
G09F 15/00; G09F 15/0006; G09F
15/0062; G09F 15/0068; G09F 15/0012;
G09F 2007/1834; G09F 2007/1856
See application file for complete search history.

(56) **References Cited**

U.S. PATENT DOCUMENTS

266,118 A * 10/1882 Elsey B43L 1/00
434/408
323,350 A * 7/1885 McKenzie B43L 1/04
434/413
641,683 A * 1/1900 Evans A47B 41/02
434/419
1,505,046 A * 8/1924 Lush G09F 15/0056
40/611.03
1,887,894 A * 11/1932 Schwab G09F 15/0056
40/611.05
2,454,648 A * 11/1948 Green G09F 15/0056
40/602
2,950,015 A * 8/1960 Pataky A47K 10/04
211/182

3,017,969 A * 1/1962 Nielsen E04B 2/7425
52/239
3,034,230 A * 5/1962 Windram B43L 1/04
434/408
3,146,892 A * 9/1964 White A47F 7/24
211/204
3,336,682 A * 8/1967 Genin B43L 1/008
434/416
3,421,272 A * 1/1969 Walker, Jr. G09F 15/0068
52/127.8
4,085,789 A * 4/1978 Steiner A47G 5/00
160/135
4,127,196 A * 11/1978 Boucher A47F 5/0815
160/351
4,254,569 A * 3/1981 Janik G09F 15/0087
40/606.15
D275,579 S * 9/1984 Brown D20/10
(Continued)

FOREIGN PATENT DOCUMENTS

CN 3114866 * 6/1999
DE 40205629-0002 * 1/2002

Primary Examiner — Elizabeth A. Albert
(74) *Attorney, Agent, or Firm* — Zeller IP Group PLLC;
Kyle M. Zeller

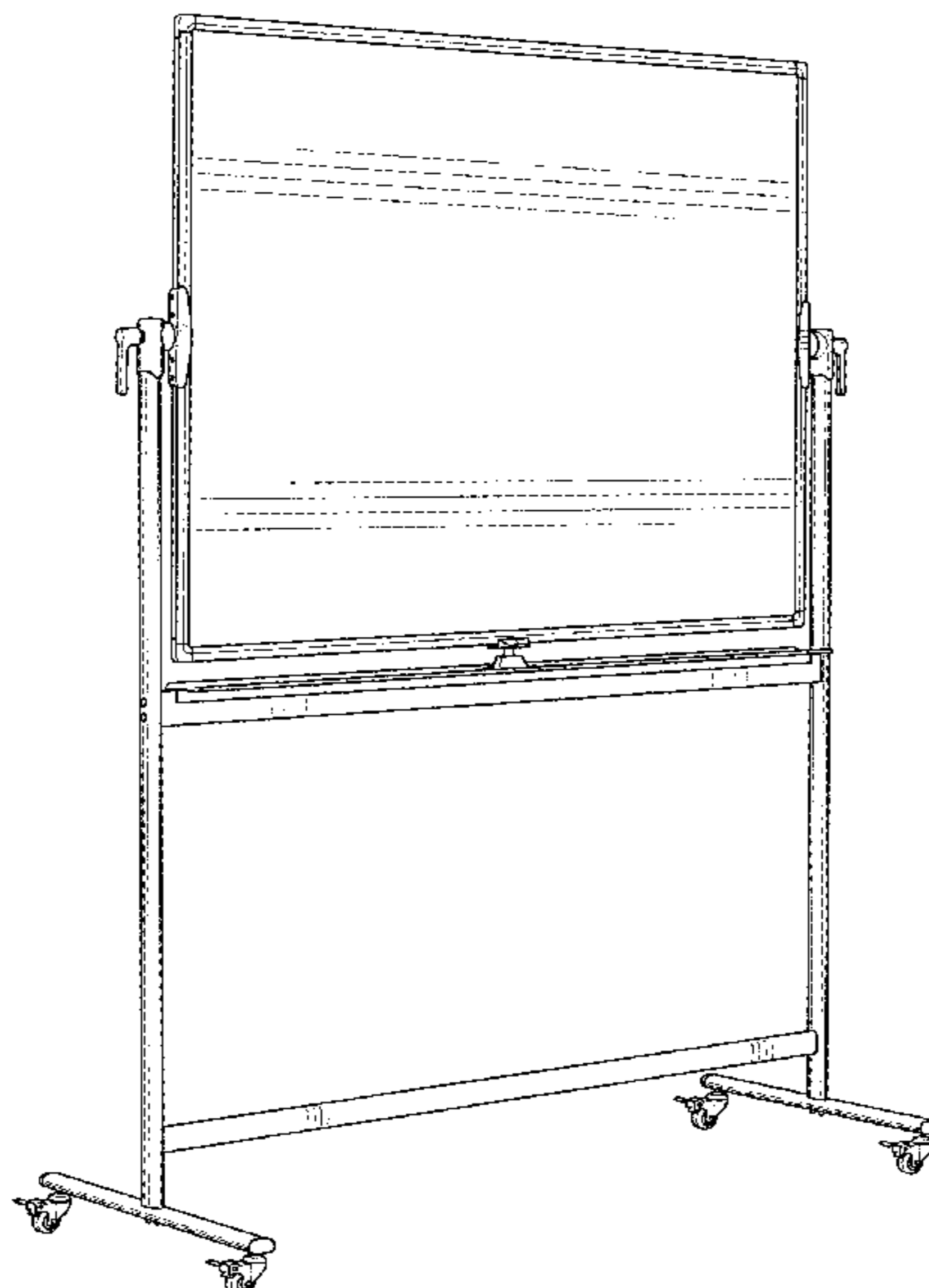
(57) **CLAIM**

The ornamental design for a whiteboard, as shown and described.

DESCRIPTION

FIG. 1 is a front perspective view of a whiteboard showing my new design;
FIG. 2 is a front view thereof;
FIG. 3 is a rear view thereof;
FIG. 4 is a left side view thereof;
FIG. 5 is a right side view thereof;
FIG. 6 is a top view thereof; and,
FIG. 7 is a bottom view thereof.

1 Claim, 7 Drawing Sheets



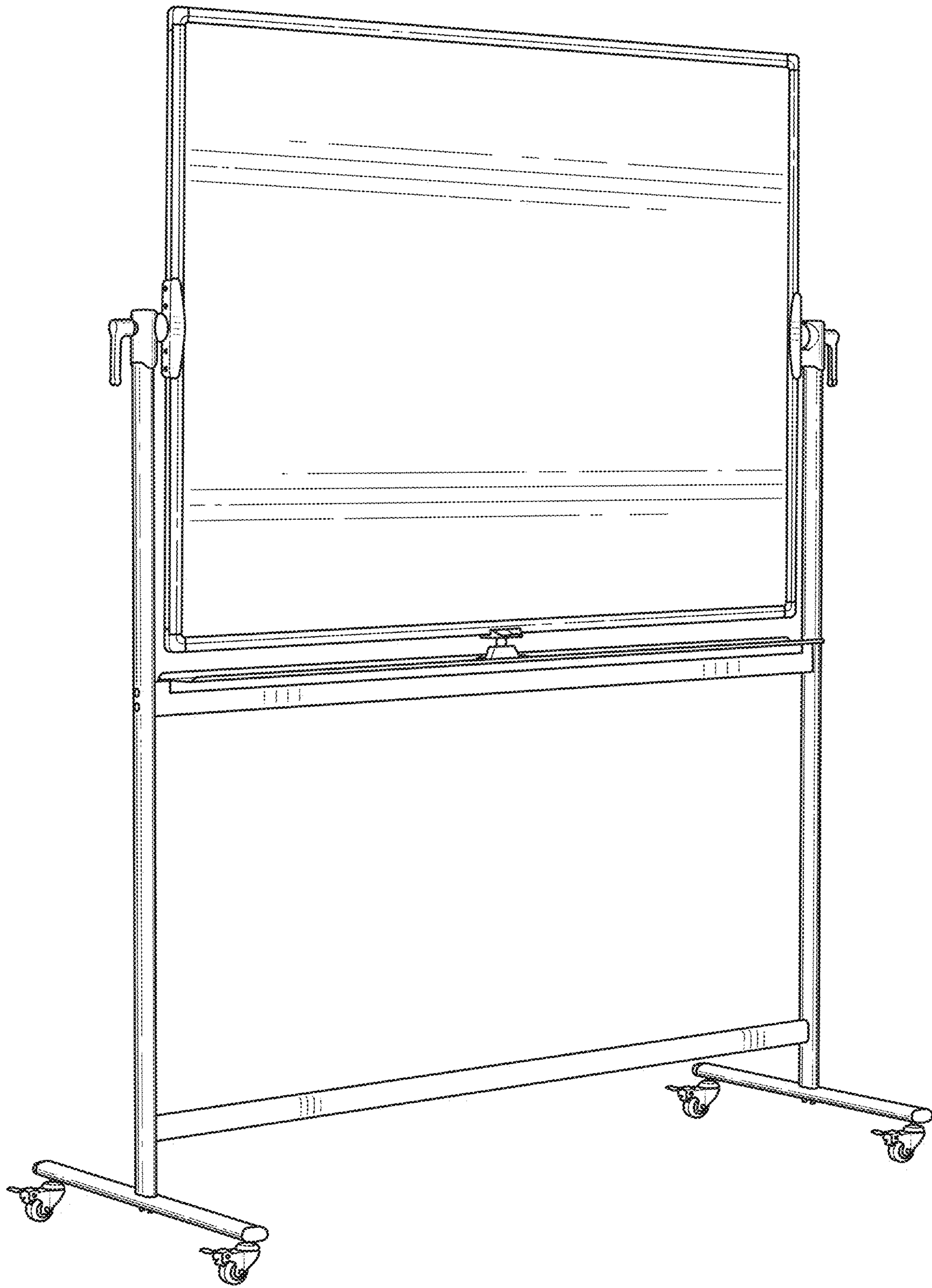


FIG. 1

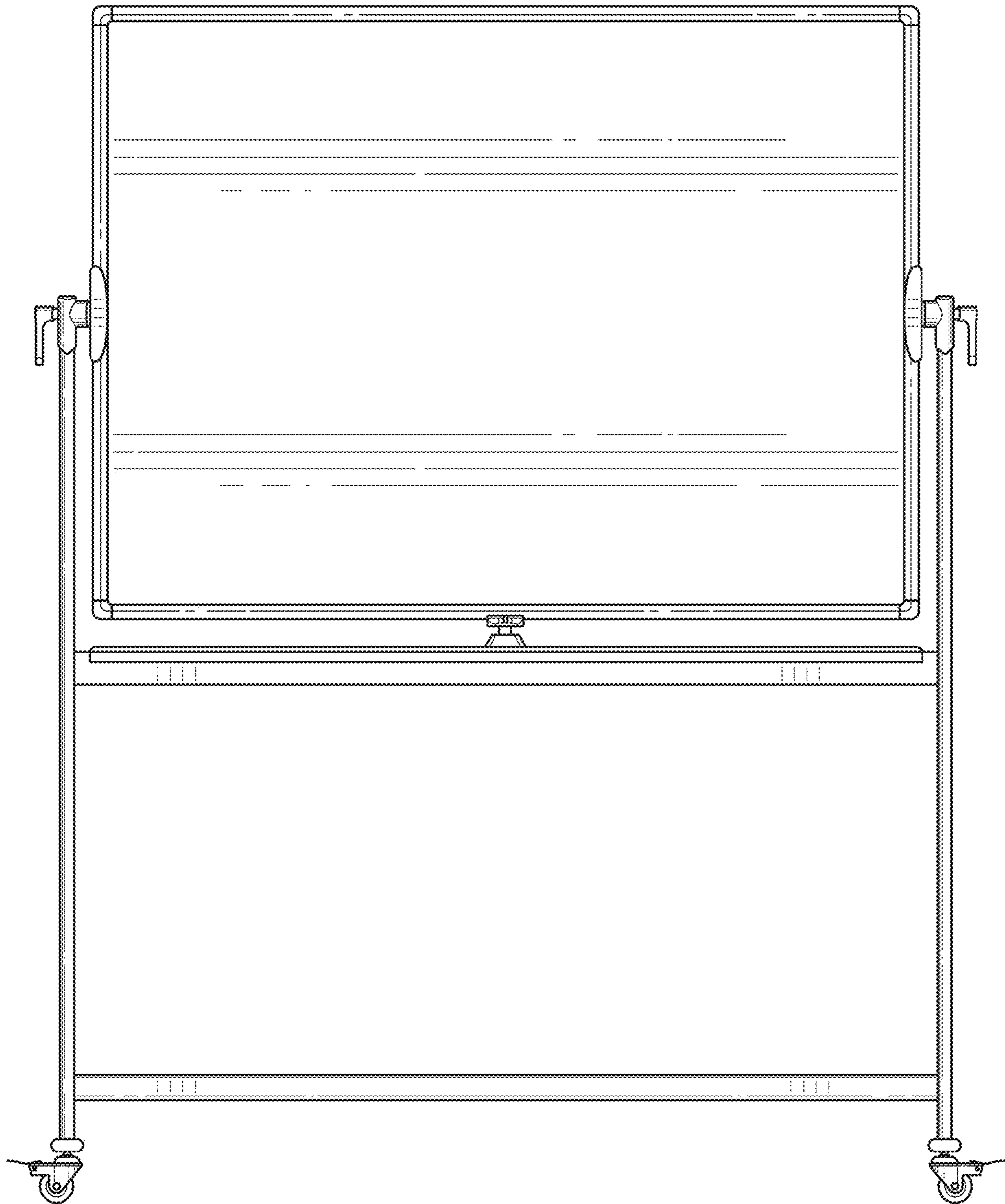


FIG. 2

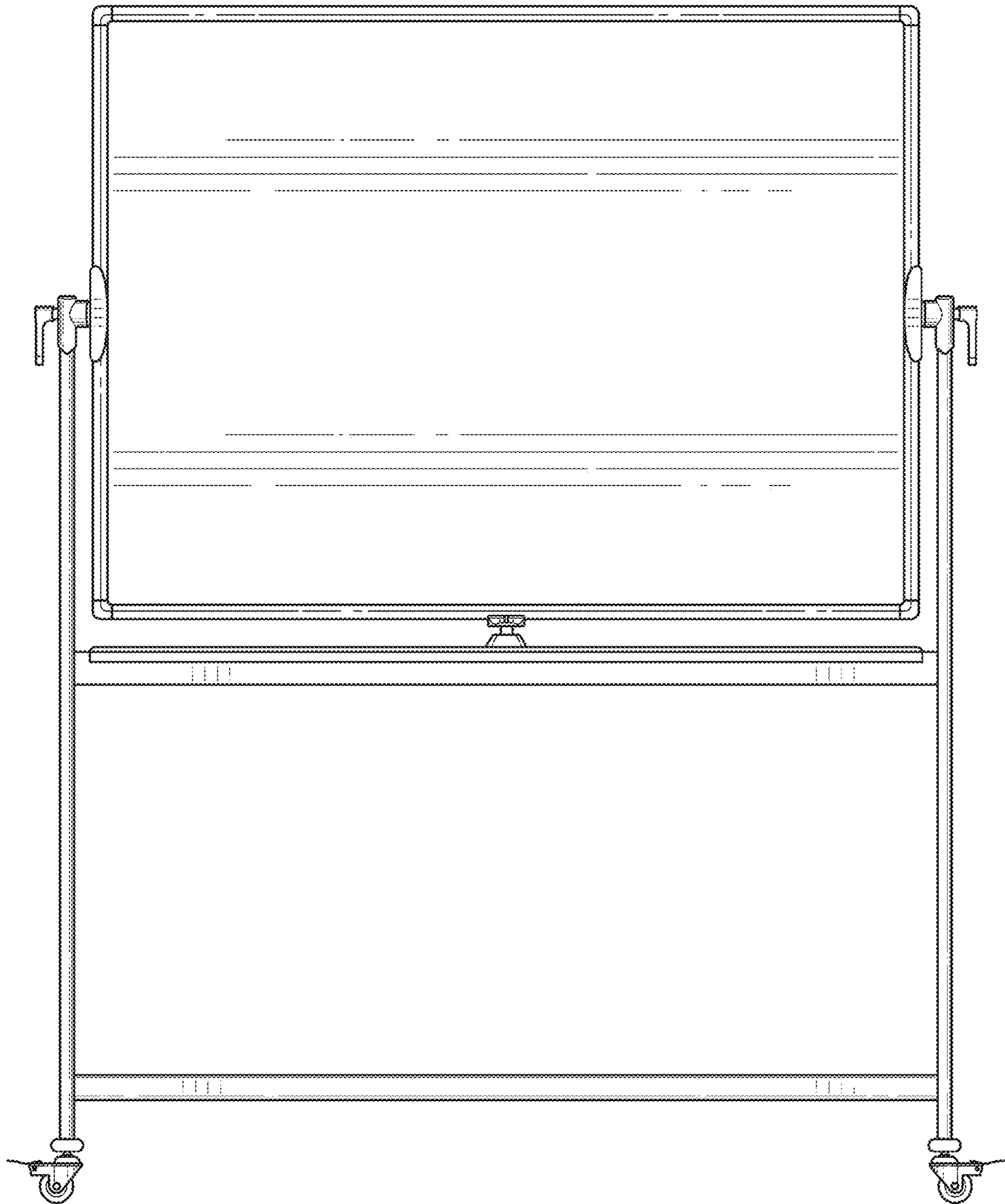


FIG. 3

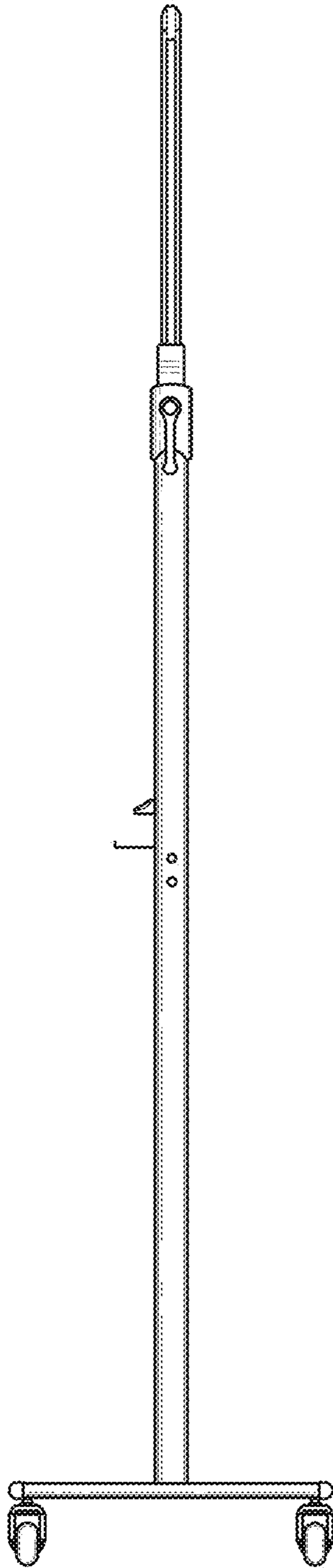


FIG. 4

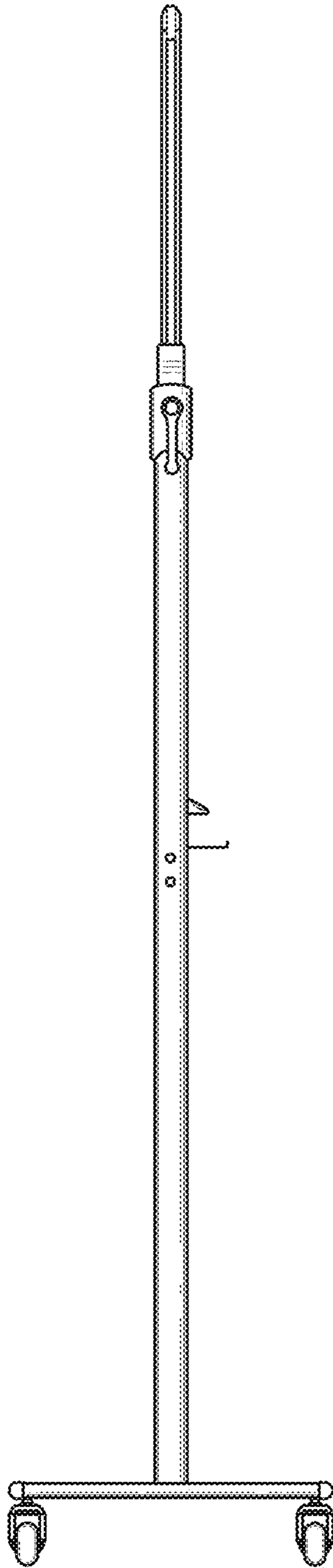


FIG. 5

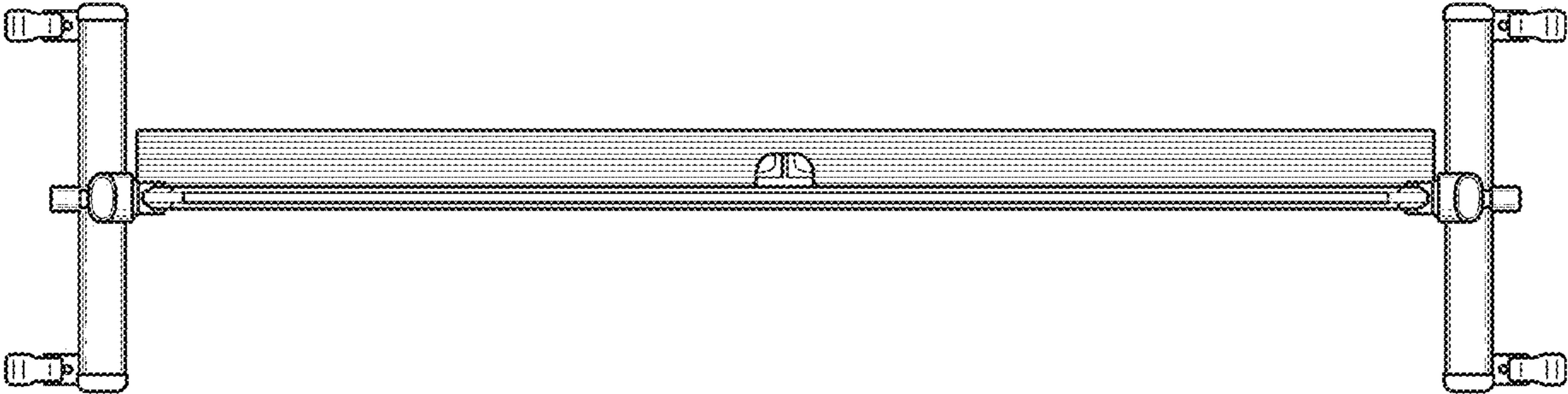


FIG. 6

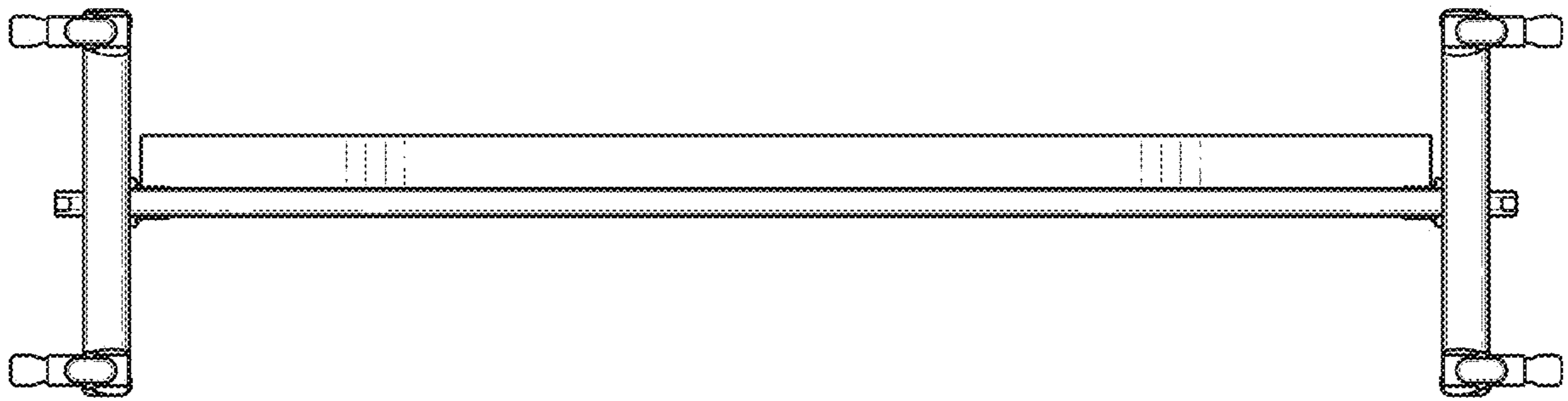


FIG. 7