



US00D897430S

(12) **United States Design Patent**
Bolone

(10) **Patent No.:** **US D897,430 S**

(45) **Date of Patent:** **** Sep. 29, 2020**

- (54) **CARD HOLDER**
- (71) Applicant: **Lore Bolone**, Holly, MI (US)
- (72) Inventor: **Lore Bolone**, Holly, MI (US)
- (**) Term: **15 Years**
- (21) Appl. No.: **29/660,014**
- (22) Filed: **Aug. 14, 2018**
- (51) **LOC (12) Cl.** **19-02**
- (52) **U.S. Cl.**
USPC **D19/90**
- (58) **Field of Classification Search**
USPC D6/310, 311, 312, 313; D10/109.1,
D10/109.2, 113.4; D11/165, 166, 181,
D11/182; D19/75, 86, 90, 91; D20/10,
D20/19, 21, 29, 37, 39, 40, 41, 42, 43, 99
CPC G09F 7/00; G09F 7/12; G09F 7/14; G09F
7/16; G09F 7/18; G09F 2007/122; G09F
2007/1804; G09F 2007/1834; G09F
2007/1886; G09F 9/00; G09F 13/00;
G09F 13/02; G09F 13/04; G09F 13/0018;
G09F 13/22; G09F 2003/1895; G09F
15/00; G09F 15/0037; G09F 15/02; G09F
15/025; G09F 17/00; G09F 2007/0075;
G09F 23/00

See application file for complete search history.

(56) **References Cited**

U.S. PATENT DOCUMENTS

- D34,353 S * 4/1901 Daniels D6/310
- D35,020 S * 9/1901 Hustyava D6/313
- 2,642,861 A * 6/1953 Tvedt B42F 17/02
211/51
- 3,083,425 A * 4/1963 Minnerly, Jr. B42F 1/08
24/67.9
- D196,159 S * 8/1963 Nagelkirk D19/90
- 4,145,022 A * 3/1979 Comfort A47B 23/042
248/451
- D251,580 S * 4/1979 Harlow D19/91
- D251,647 S * 4/1979 Valien D6/311

- 4,203,242 A * 5/1980 Griffin F16M 11/10
248/168
- D325,679 S * 4/1992 O'Mealy 193/42
- D358,271 S * 5/1995 Leveen D19/91
- D367,377 S * 2/1996 Langton D19/91
- 5,615,781 A 4/1997 Janssen
- 5,727,696 A 3/1998 Valiulis
- D403,914 S * 1/1999 Man D19/90
- D404,931 S * 2/1999 Duggan D19/91

(Continued)

FOREIGN PATENT DOCUMENTS

WO WO2005041159 5/2005

OTHER PUBLICATIONS

Biz Card Buddy, posted at Etsy.com, posted on Jan. 28, 2020, site visited Mar. 2, 2020. online, available from internet: https://www.etsy.com/sg-en/listing/646066181/biz-card-buddy?ref=shop_home_active_2 (Year: 2020).*

Primary Examiner — Mary Ann Calabrese

Assistant Examiner — Catherine Ho

(57) **CLAIM**

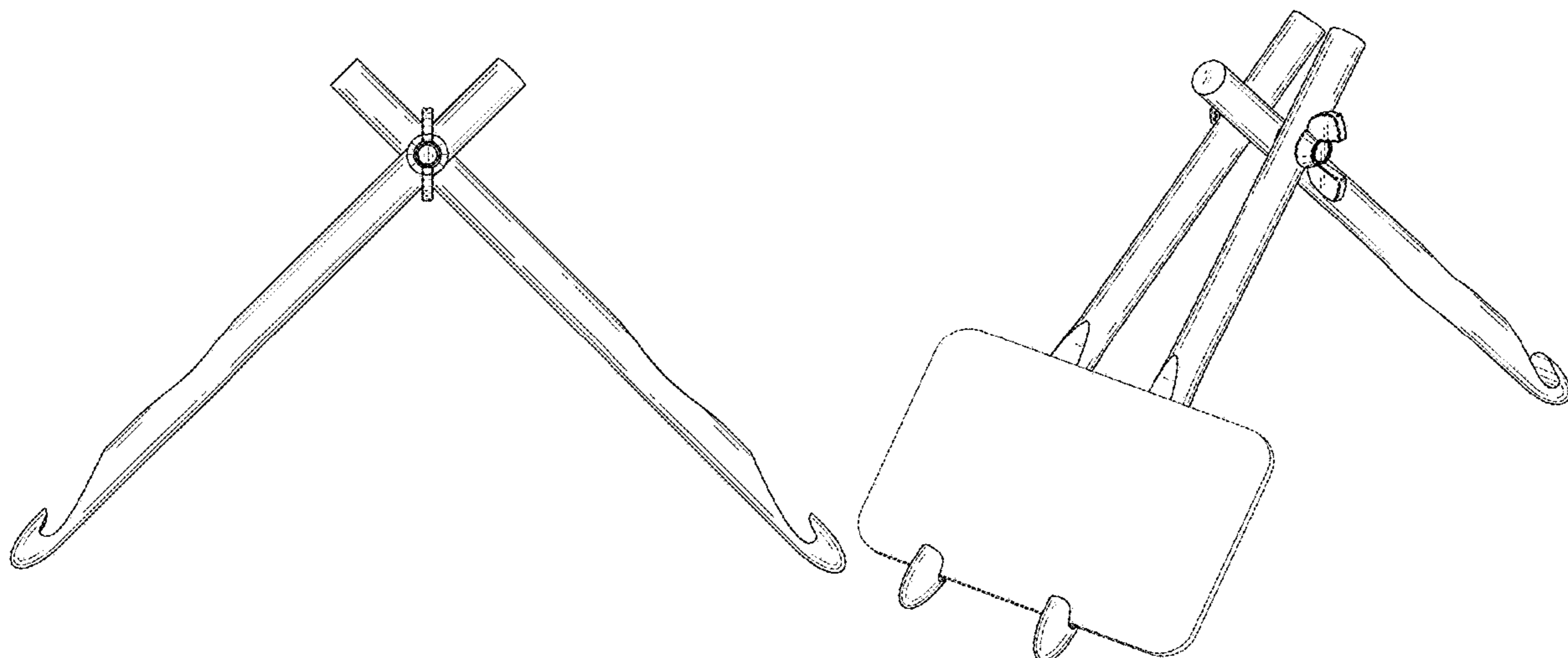
The ornamental design for a card holder, as shown and described.

DESCRIPTION

FIG. 1 is a front view of a card holder showing my new design;
FIG. 2 is a rear view of the card holder;
FIG. 3 is a right side view of the card holder;
FIG. 4 is a left side view of the card holder;
FIG. 5 is a top view of the card holder;
FIG. 6 is a bottom view of the card holder; and,
FIG. 7 is a top front side perspective view of the card holder in use.

The broken lines in FIG. 7 are illustrative of environmental structure and form no part of the claimed design.

1 Claim, 5 Drawing Sheets



(56)

References Cited

U.S. PATENT DOCUMENTS

D404,932	S	*	2/1999	Duggan	D19/91
6,017,012	A		1/2000	Henson, Jr.	
D482,209	S	*	11/2003	Hyché	D19/91
D587,020	S	*	2/2009	Goodman	D6/313
7,527,235	B2		5/2009	Hummel	
D633,149	S		2/2011	Parshad	
D641,559	S	*	7/2011	Segura	D6/313
D828,446	S	*	9/2018	Kim	D19/91

* cited by examiner

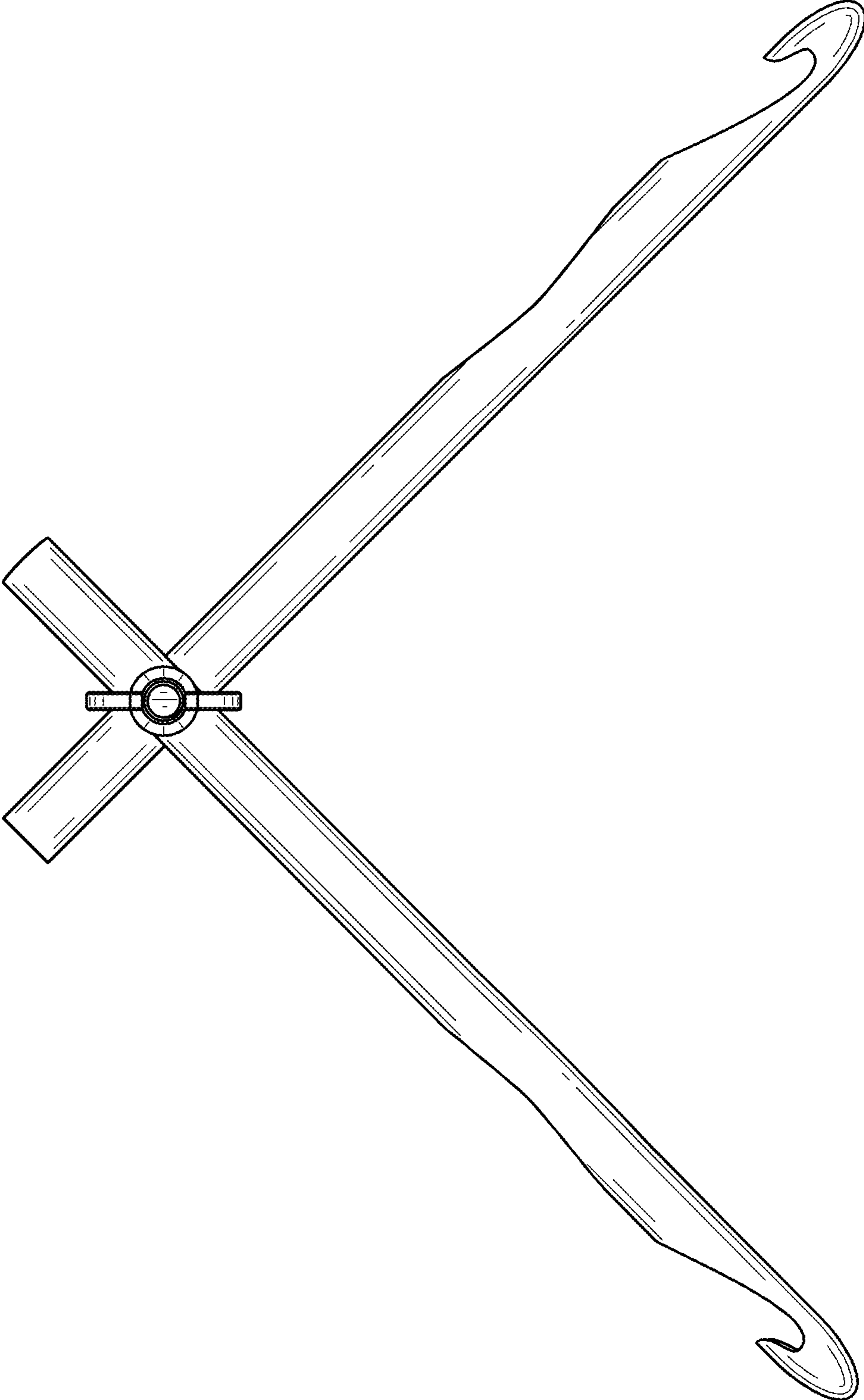


FIG. 1

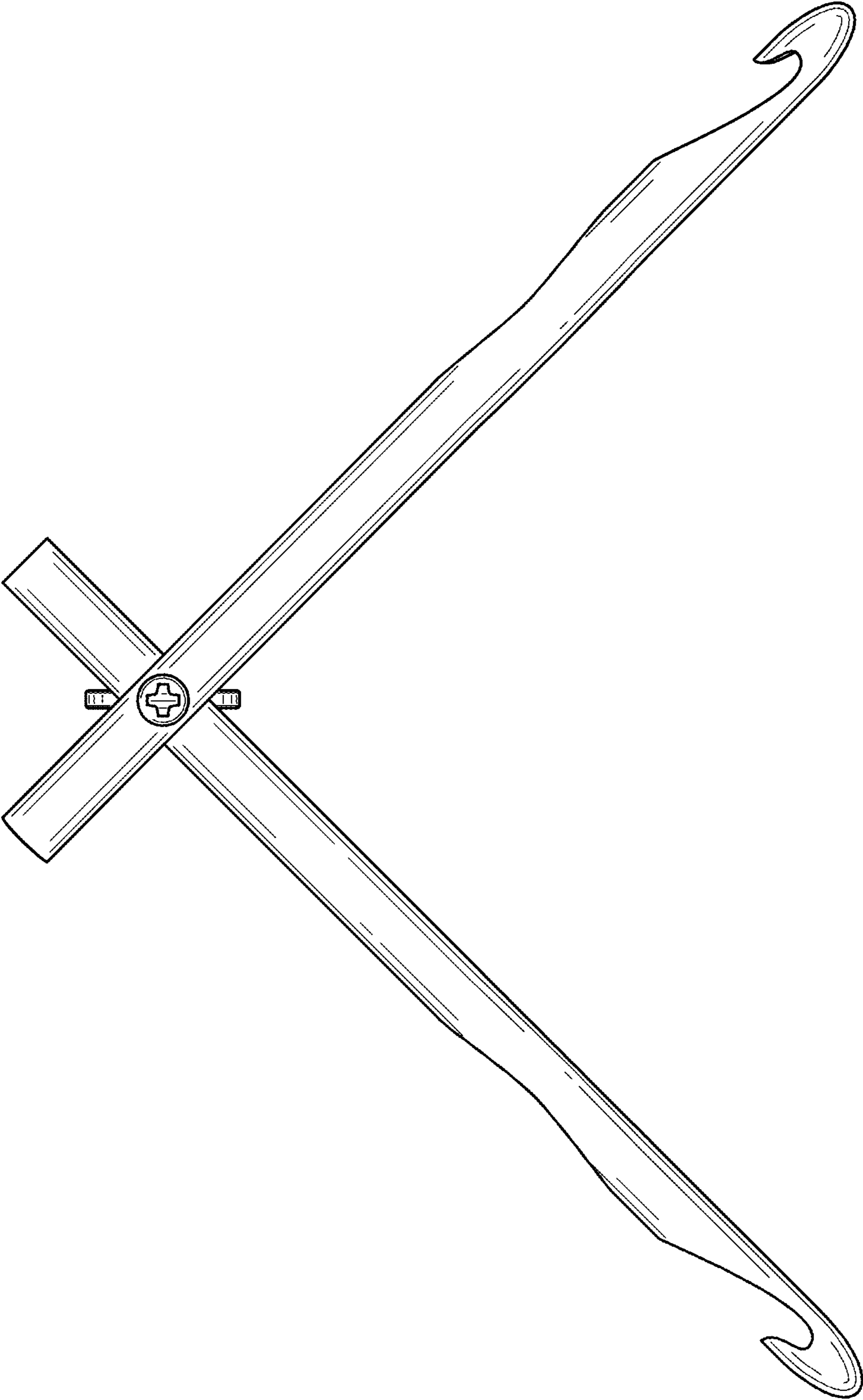


FIG. 2

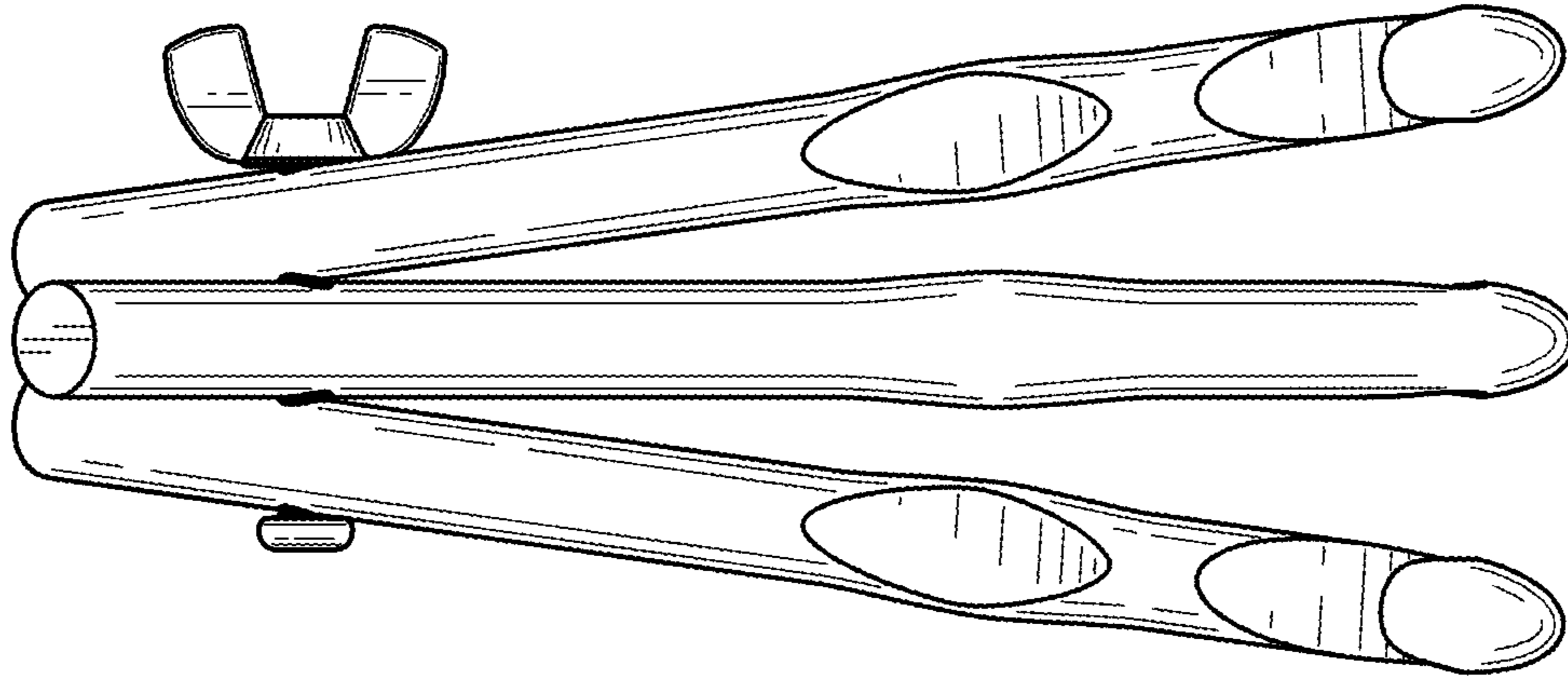


FIG. 4

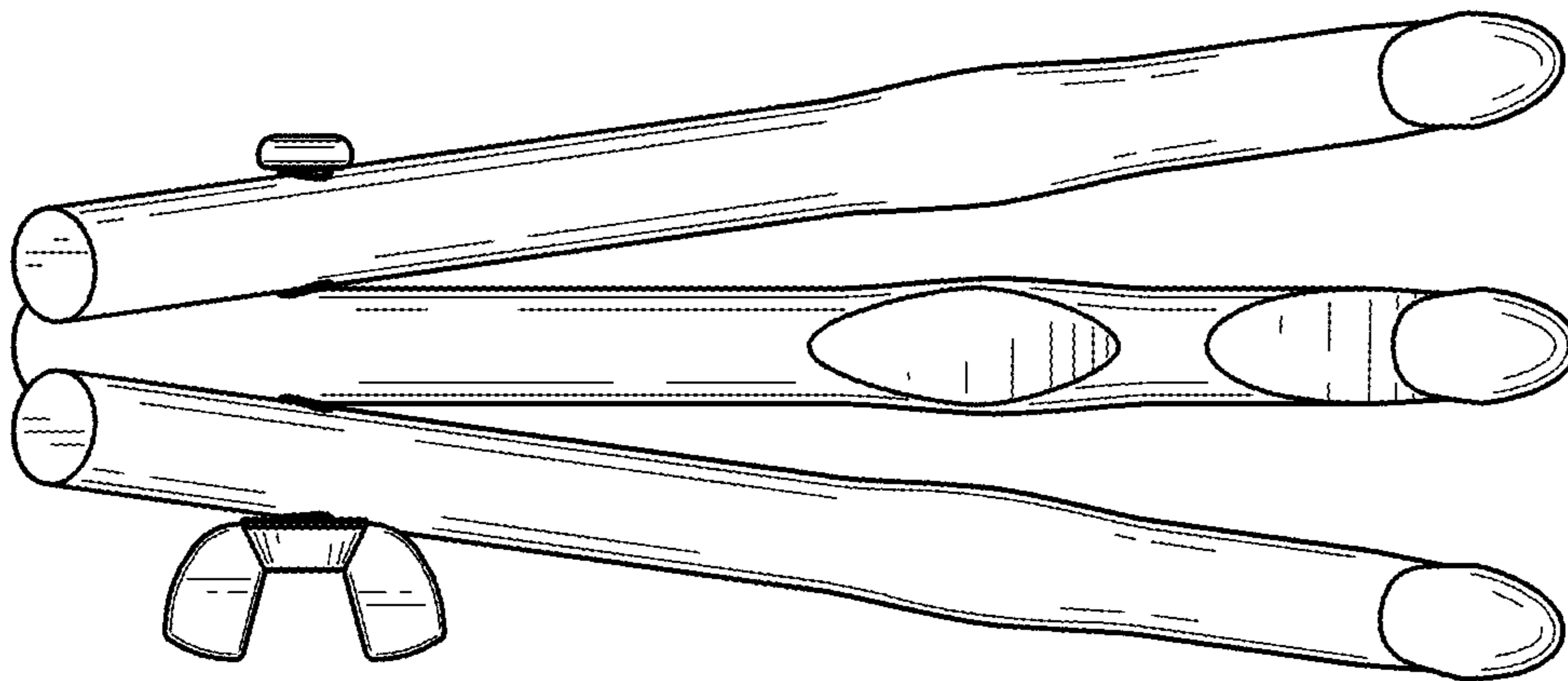


FIG. 3

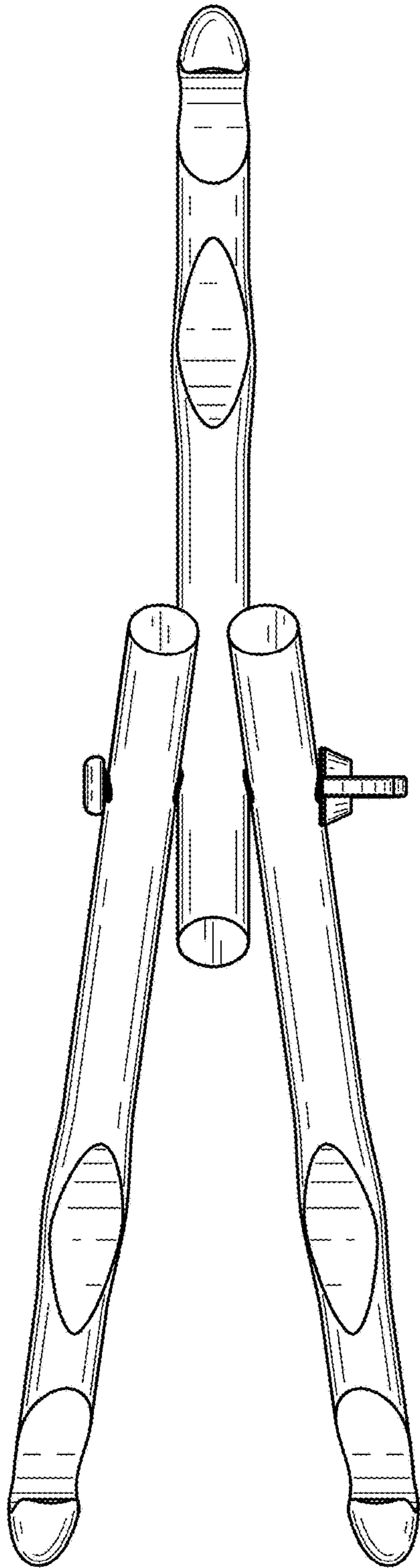


FIG. 5

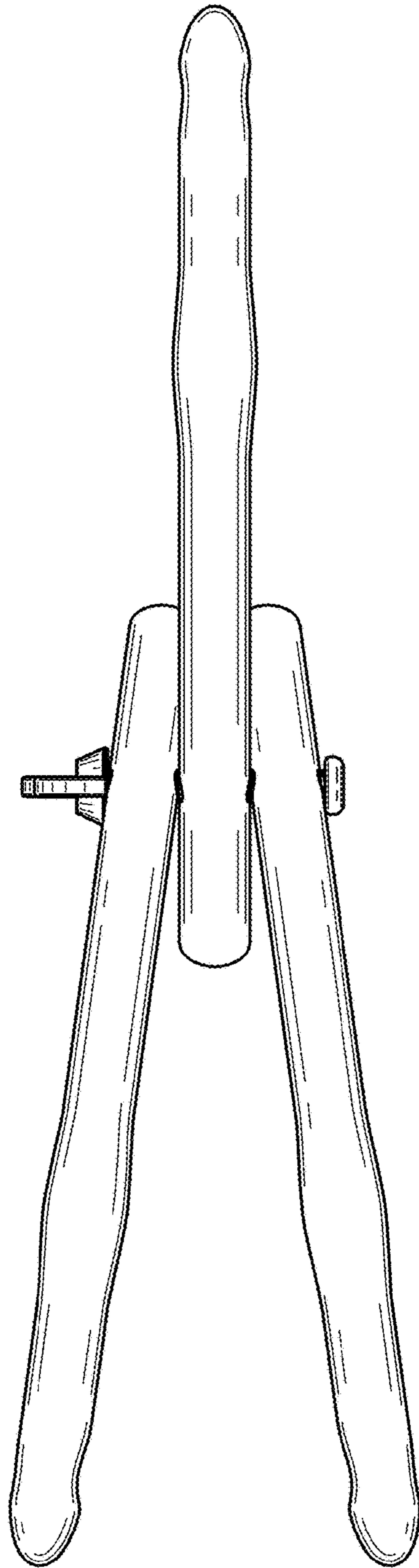


FIG. 6

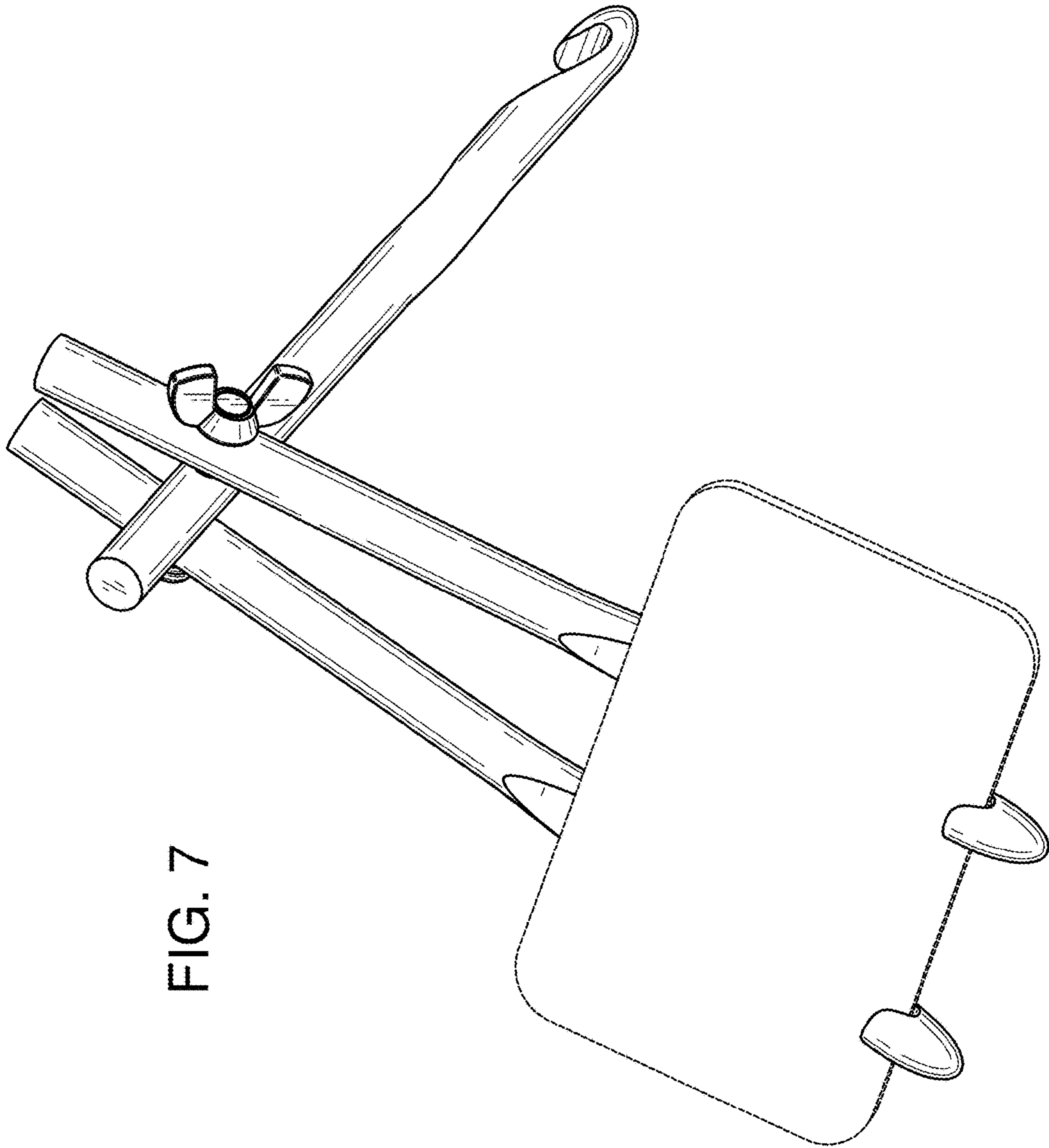


FIG. 7