

US00D897421S

(12) **United States Design Patent**
Chida

(10) **Patent No.:** **US D897,421 S**

(45) **Date of Patent:** **** Sep. 29, 2020**

(54) **PRINTER**

(71) Applicant: **SEIKO INSTRUMENTS INC.**,
Chiba-shi, Chiba (JP)

(72) Inventor: **Hiromi Chida**, Chiba (JP)

(73) Assignee: **SEIKO INSTRUMENTS INC.**,
Chiba-shi (JP)

(**) Term: **15 Years**

(21) Appl. No.: **29/679,569**

(22) Filed: **Feb. 7, 2019**

(30) **Foreign Application Priority Data**

Aug. 7, 2018 (JP) 2018-017372

(51) **LOC (12) Cl.** **18-99**

(52) **U.S. Cl.**
USPC **D18/19**

(58) **Field of Classification Search**
USPC D18/14, 19, 50, 53, 54, 55, 56, 59, 36,
D18/37, 38, 39, 40, 41, 45; D19/65, 66,
D19/67, 68, 69, 70, 71; D14/301, 307,
D14/121

CPC H04N 1/00204; H04N 1/00249; H04N
1/00278; G06K 15/12; G06K 15/14;
G06F 3/12; G06F 3/1292; B41J 3/00;
B41J 3/28; B41J 3/445; B41J 3/46

See application file for complete search history.

(56) **References Cited**

U.S. PATENT DOCUMENTS

D465,236 S * 11/2002 Fukasawa D18/50
D544,530 S * 6/2007 Omuro D18/50
7,731,437 B2 * 6/2010 Shirotori B26D 1/085
400/613
D641,039 S * 7/2011 Kimura D18/55

8,351,822 B2 * 1/2013 Yamada B41J 29/13
399/125
D682,927 S * 5/2013 Azegami D18/50
D710,438 S * 8/2014 Kano D18/50

(Continued)

FOREIGN PATENT DOCUMENTS

EP 3495152 A1 * 6/2019 H04N 1/00538
JP D1634668 * 6/2019

OTHER PUBLICATIONS

POSCatch.com. Link: <https://poscatch.com/seiko-qaliber-lite-rp-d10-3-receipt-printer-rp-d10-k27j1-u1c3/#gallery-2>. Visited Mar. 10, 2020. Seiko Qaliber Lite RP-D10 3" Thermal Receipt Printer, Front or Top Paper Exit Design, Compact Size, USB, Black, RP-D10-K27J1-U1C3. (Year: 2020).*

Primary Examiner — Lauren D McVey

(74) *Attorney, Agent, or Firm* — Oliff PLC

(57) **CLAIM**

The ornamental design for a printer, as shown and described.

DESCRIPTION

FIG. 1 is a top, front and right side perspective view of a printer showing the new design;

FIG. 2 is a top, front and left side perspective view thereof;

FIG. 3 is a rear, bottom and left side perspective view thereof;

FIG. 4 is a front view thereof;

FIG. 5 is a rear view thereof;

FIG. 6 is a right side view thereof;

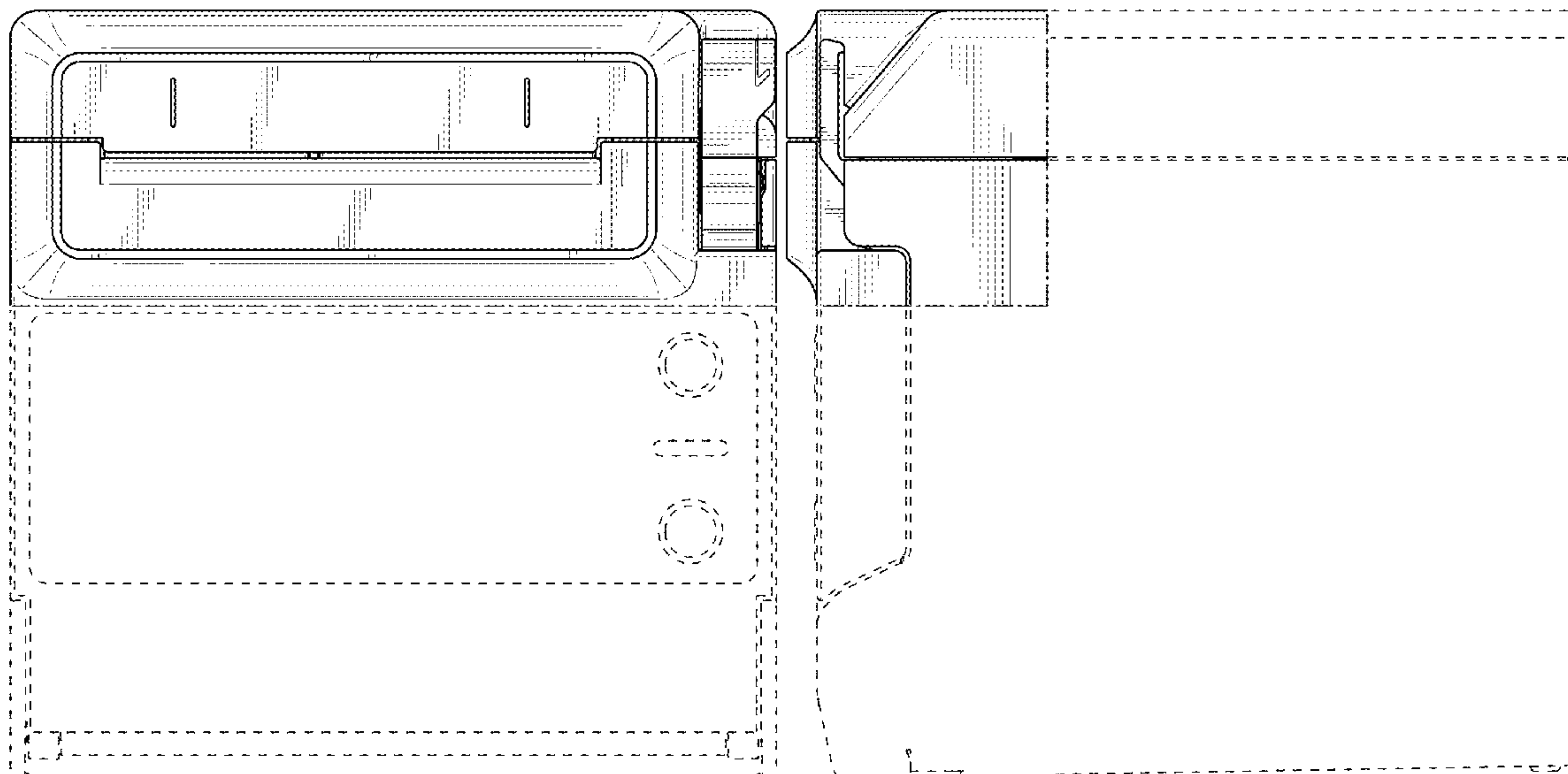
FIG. 7 is a left side view thereof;

FIG. 8 is a top view thereof; and,

FIG. 9 is a bottom view thereof.

The dot-dash broken lines are for the purpose of illustrating the claimed boundaries. Throughout the drawings, the dash-dash broken lines are for the purpose of illustrating environment only and form no part of the claimed design.

1 Claim, 9 Drawing Sheets



(56)

References Cited

U.S. PATENT DOCUMENTS

D720,397 S	*	12/2014	Hirabayashi	D18/50
D767,671 S	*	9/2016	Endo	D18/50
D785,084 S	*	4/2017	Azegami	D18/19
D810,820 S	*	2/2018	Hong	D18/53
D844,702 S	*	4/2019	Hong	D18/53
D855,692 S	*	8/2019	Eun	D18/50

* cited by examiner

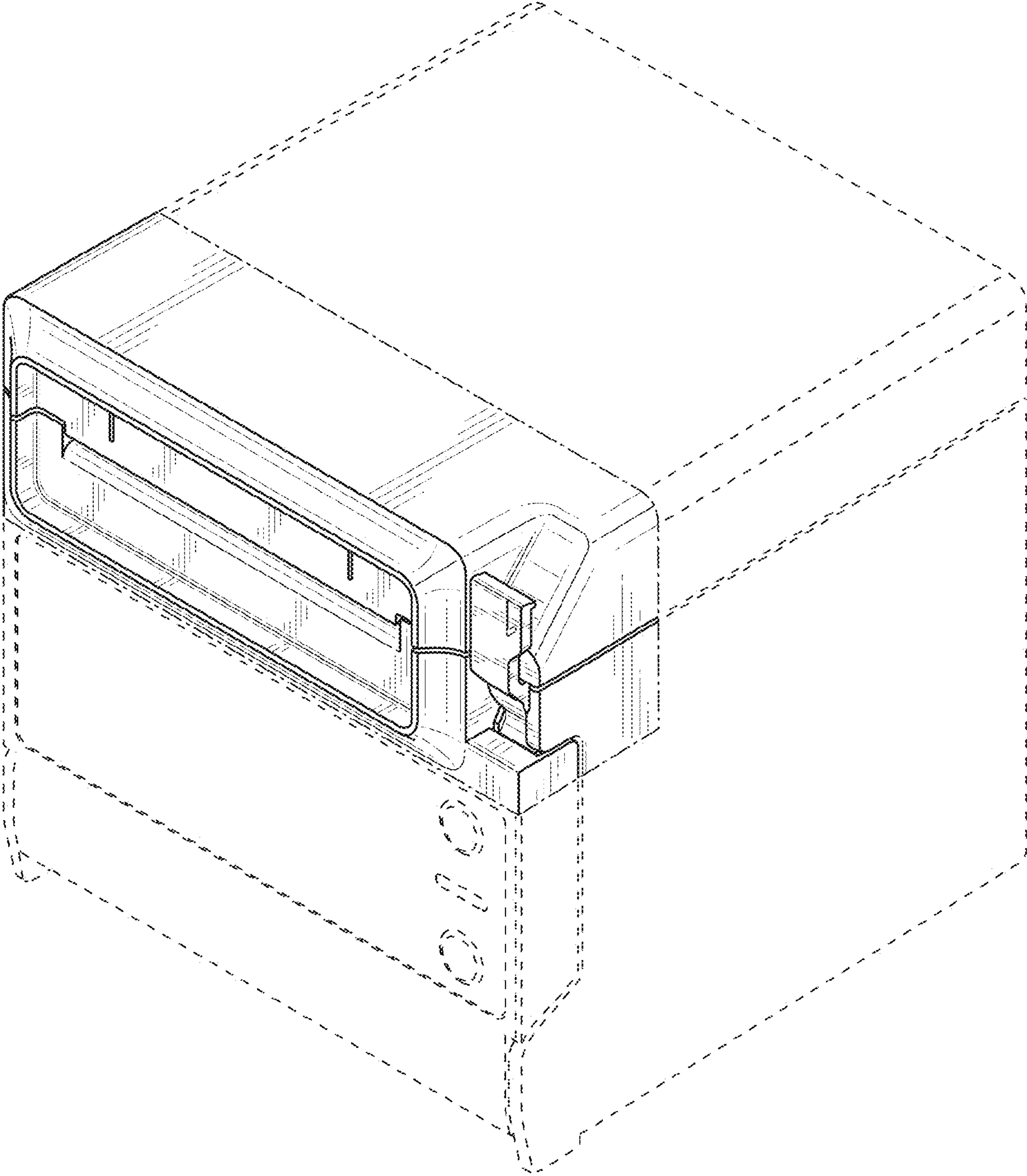


FIG. 1

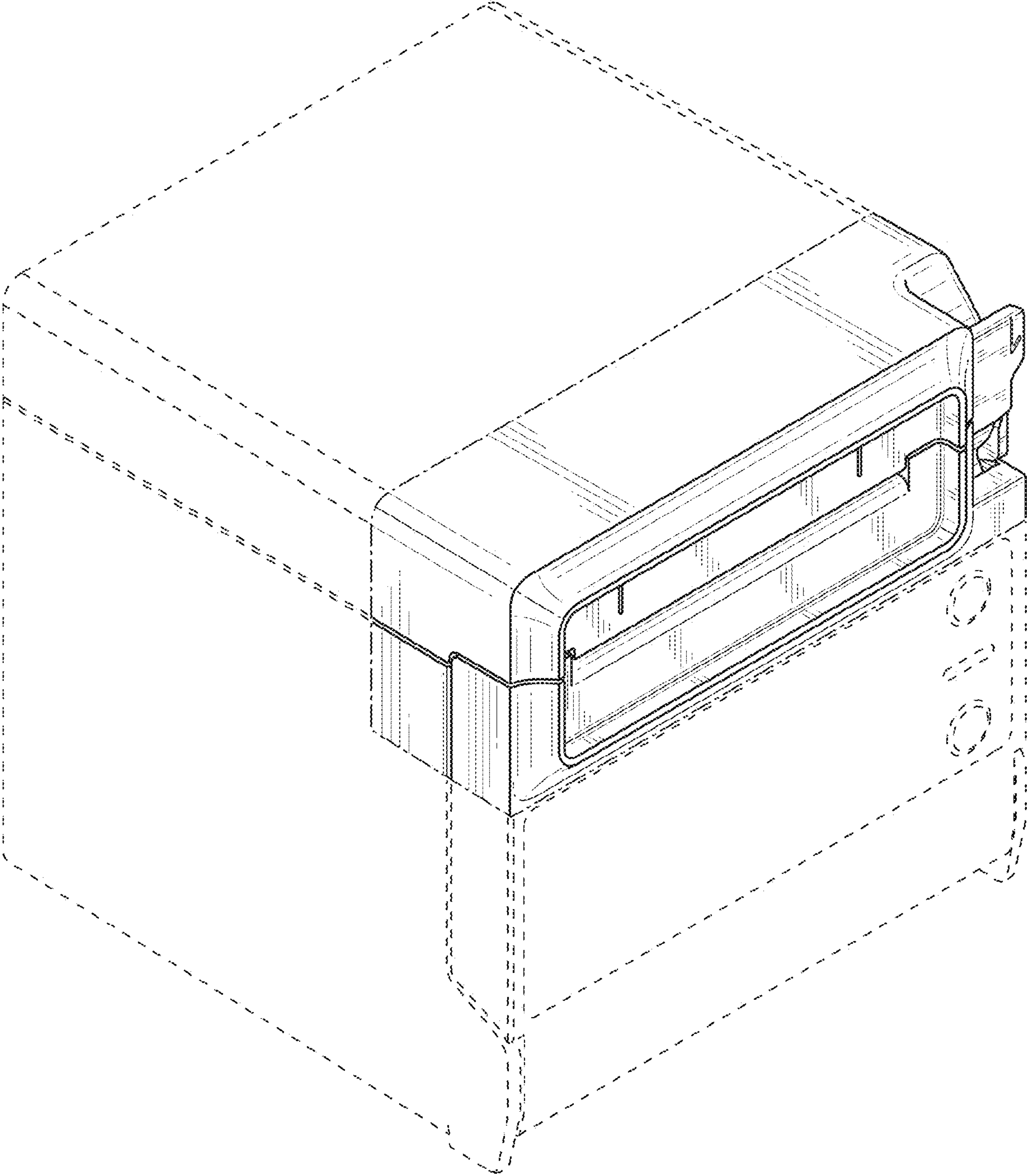


FIG. 2

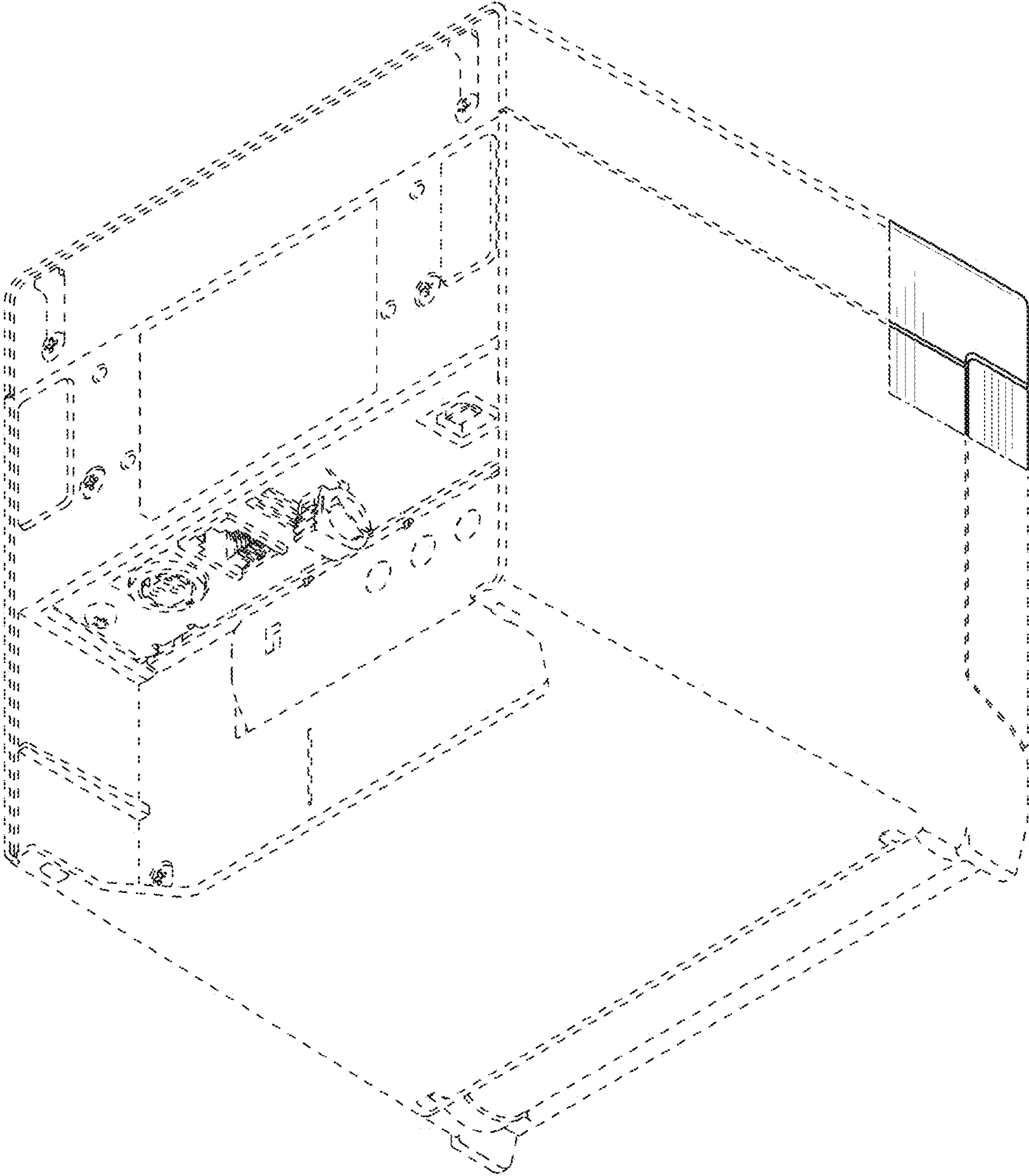


FIG. 3

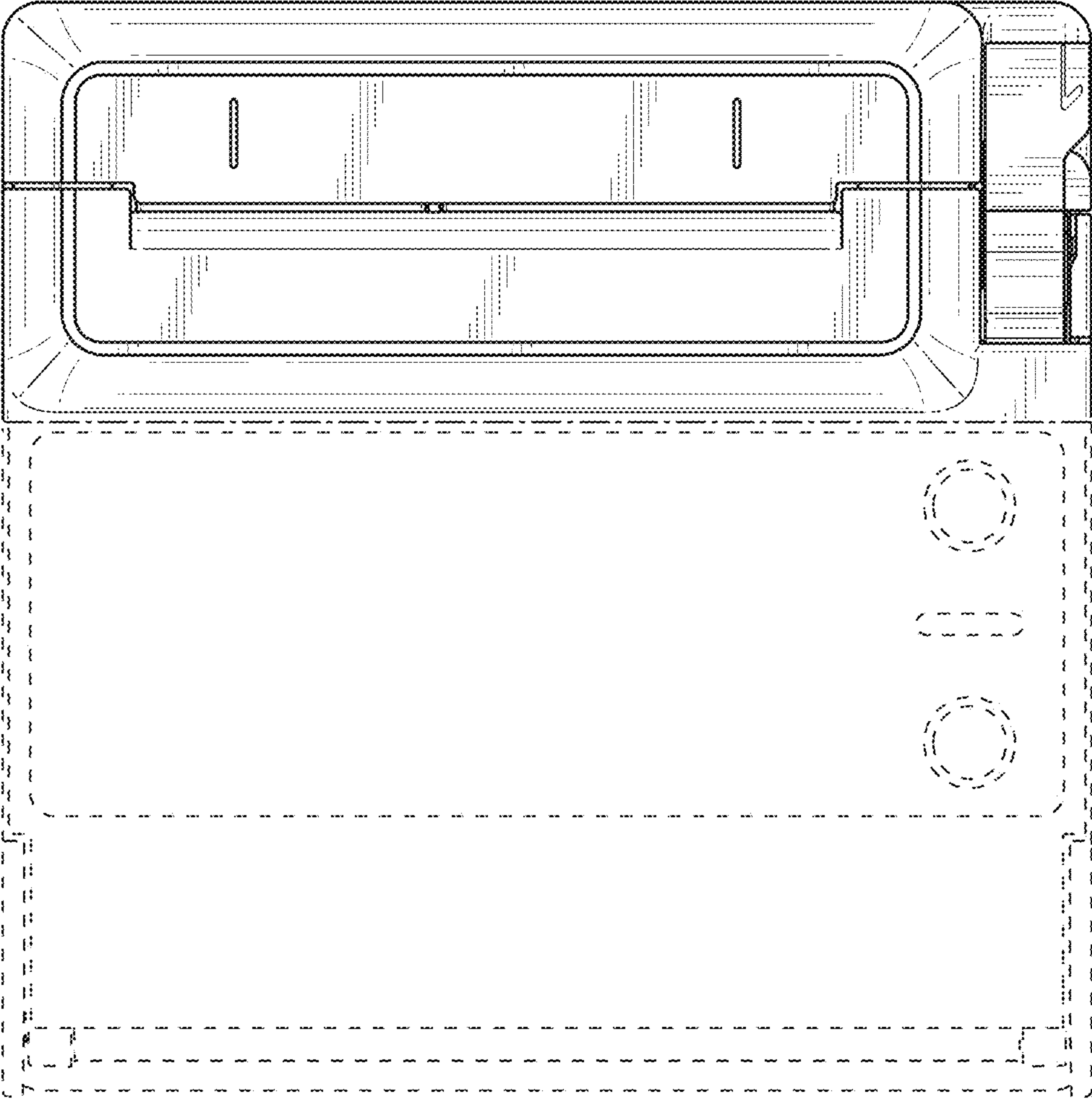


FIG. 4

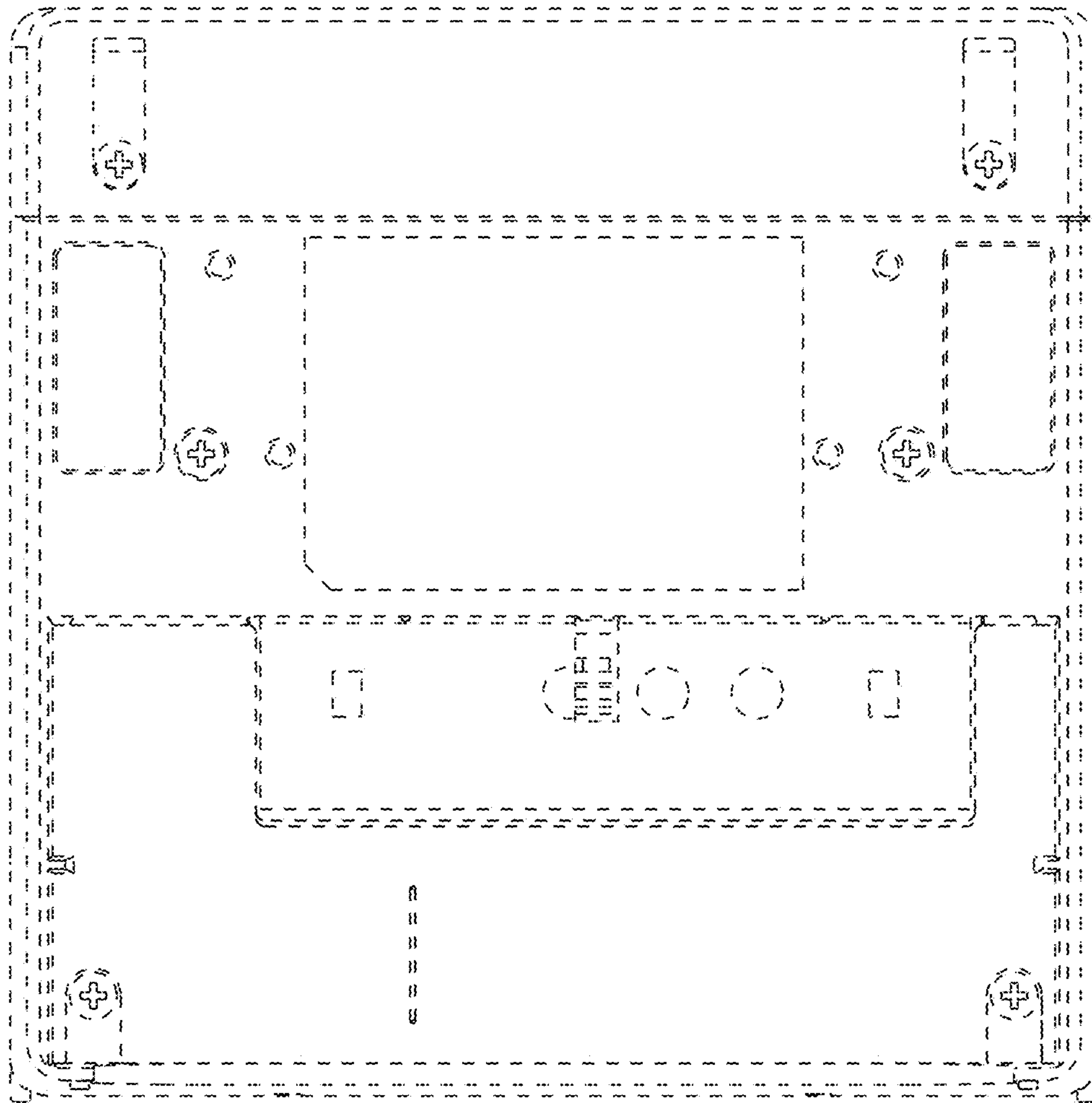


FIG. 5

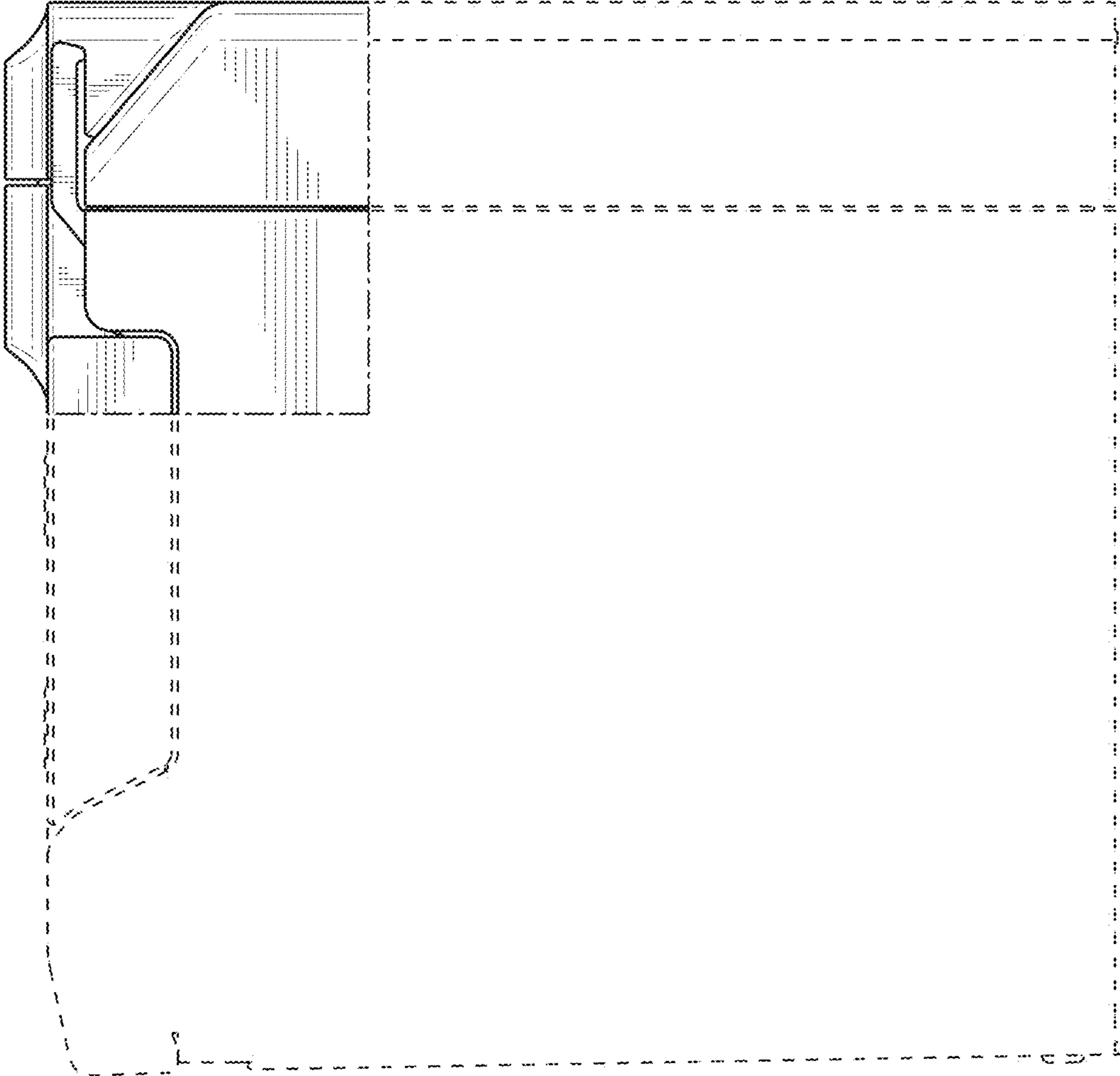


FIG. 6

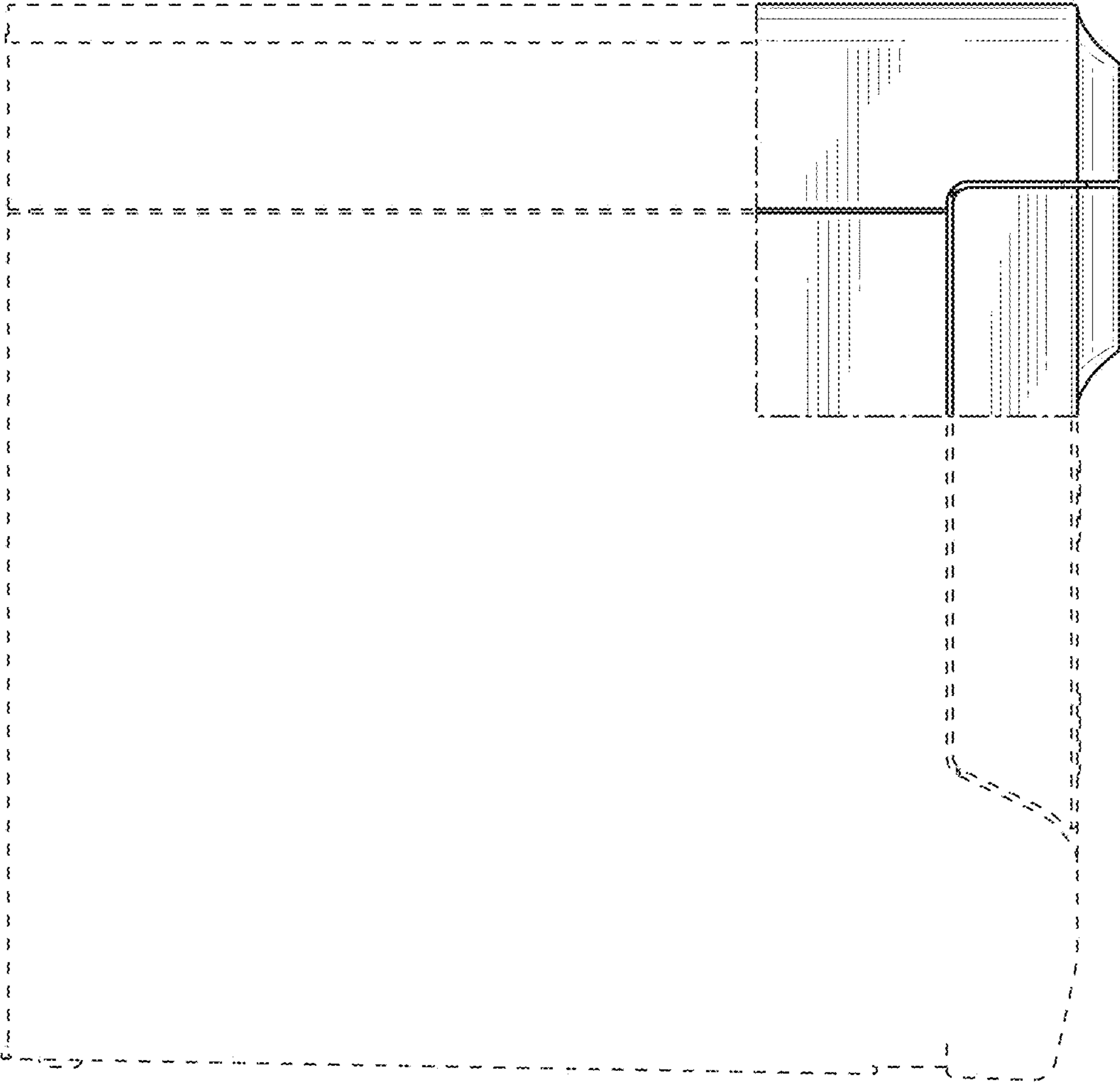


FIG. 7

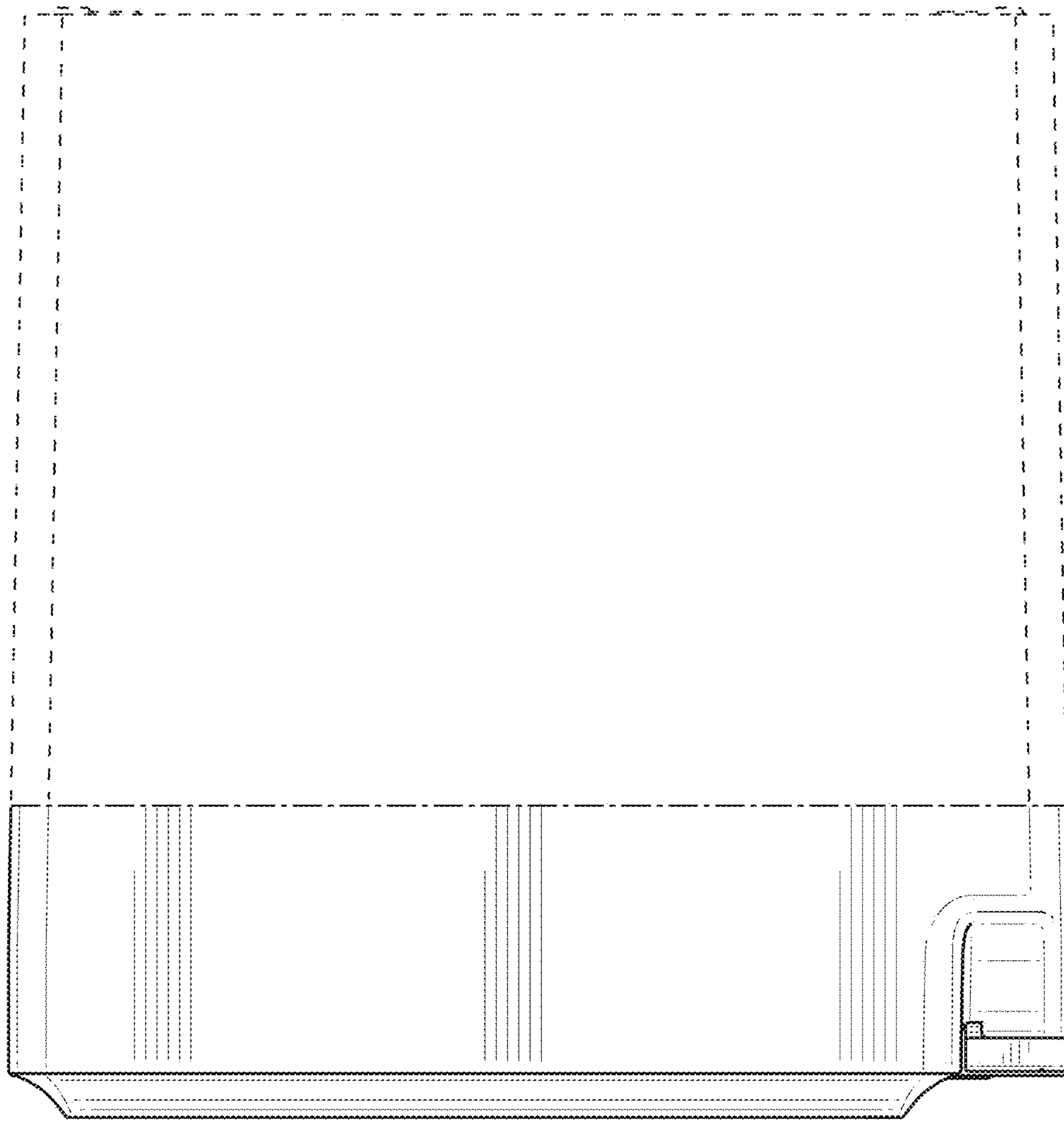


FIG. 8

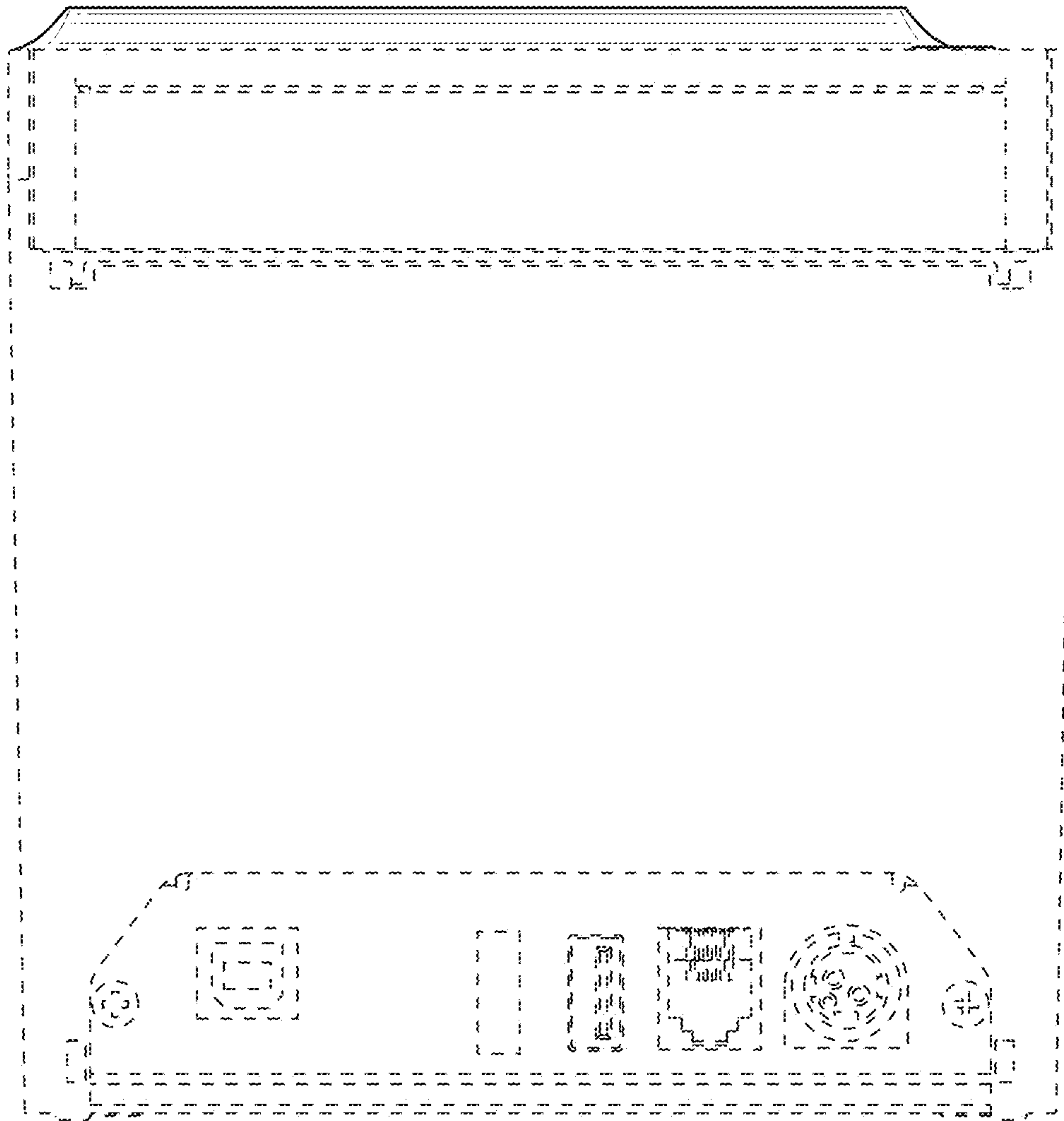


FIG. 9