



US00D897419S

(12) **United States Design Patent** (10) **Patent No.:** **US D897,419 S**
Son (45) **Date of Patent:** **** Sep. 29, 2020**

(54) **MOUTHPIECE FOR A MUSICAL INSTRUMENT**
(71) Applicant: **Leto R&D Corporation**, Closter, NJ (US)
(72) Inventor: **Hye Seong Son**, Closter, NJ (US)
(73) Assignee: **Leto R&D Corporation**, Closter, NJ (US)
(**) Term: **15 Years**
(21) Appl. No.: **29/665,402**
(22) Filed: **Oct. 3, 2018**
(51) **LOC (12) Cl.** **17-02**
(52) **U.S. Cl.**
USPC **D17/13**
(58) **Field of Classification Search**
USPC D17/10, 13, 99
CPC .. G10D 7/00; G10D 7/02; G10D 7/08; G10D 7/10; G10D 7/15; G10D 9/00; G10D 9/02; G10D 9/025; G10D 9/03; G10D 9/06
See application file for complete search history.

(56) **References Cited**
U.S. PATENT DOCUMENTS
1,411,563 A * 4/1922 Clark A45D 33/22 84/383 R
D139,025 S * 10/1944 Runyon D17/13
2,525,523 A * 10/1950 Chance G10D 9/02 84/383 R
5,018,425 A * 5/1991 Rovner G10D 9/035 84/383 R
D343,633 S * 1/1994 Guardala D17/13
5,293,805 A * 3/1994 Guardala G10D 9/035 84/383 R
5,357,837 A * 10/1994 Disera G10D 9/035 84/383 R

6,686,525 B1 * 2/2004 Wu G10D 9/02 84/383 R
6,921,853 B2 * 7/2005 Taillard G10D 9/02 84/383 A
D747,404 S * 1/2016 Selmer D17/13
9,779,704 B1 10/2017 Chang

OTHER PUBLICATIONS

Office Action in U.S. Appl. No. 16/150,433, dated Sep. 19, 2019.

* cited by examiner

Primary Examiner — R. Johnson
(74) *Attorney, Agent, or Firm* — Kim IP Law Group PLLC

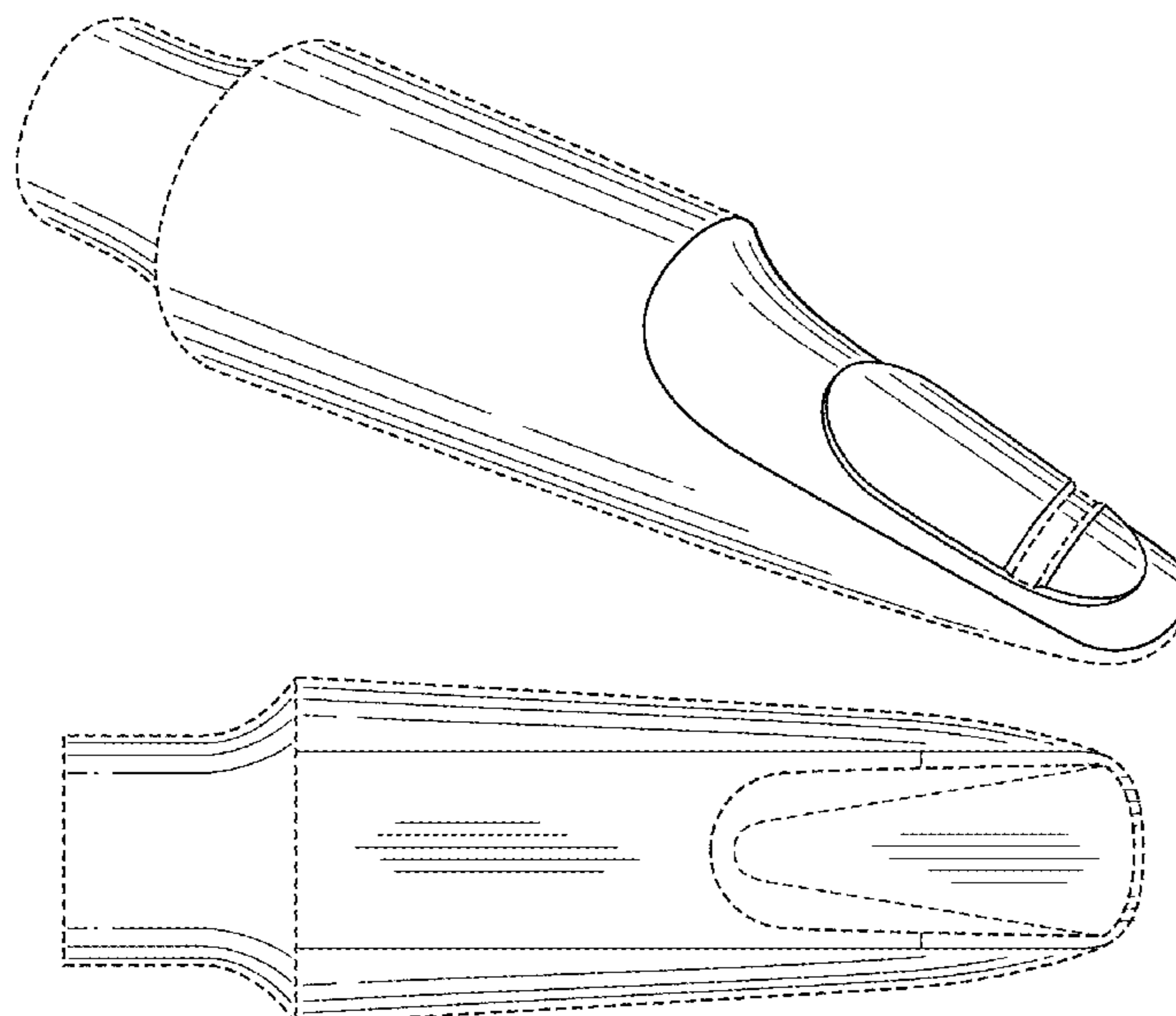
(57) **CLAIM**

The ornamental design for a mouthpiece for a musical instrument, as shown and described.

DESCRIPTION

FIG. 1 is a perspective view of a mouthpiece assembly for a musical instrument in accordance with the new design; FIG. 2 is a top plan view of the mouthpiece assembly of FIG. 1; FIG. 3 is a bottom plan view of the mouthpiece assembly of FIG. 1; FIG. 4 is a left side elevation view of the mouthpiece assembly of FIG. 1; FIG. 5 is a right side elevation view of the mouthpiece assembly of FIG. 1; FIG. 6 is a front elevation view of the mouthpiece assembly of FIG. 1; and, FIG. 7 is a rear elevation view of the mouthpiece assembly of FIG. 1. The broken lines in FIGS. 1-7 illustrate portions of the mouthpiece assembly which form no part of the claimed design.

1 Claim, 4 Drawing Sheets



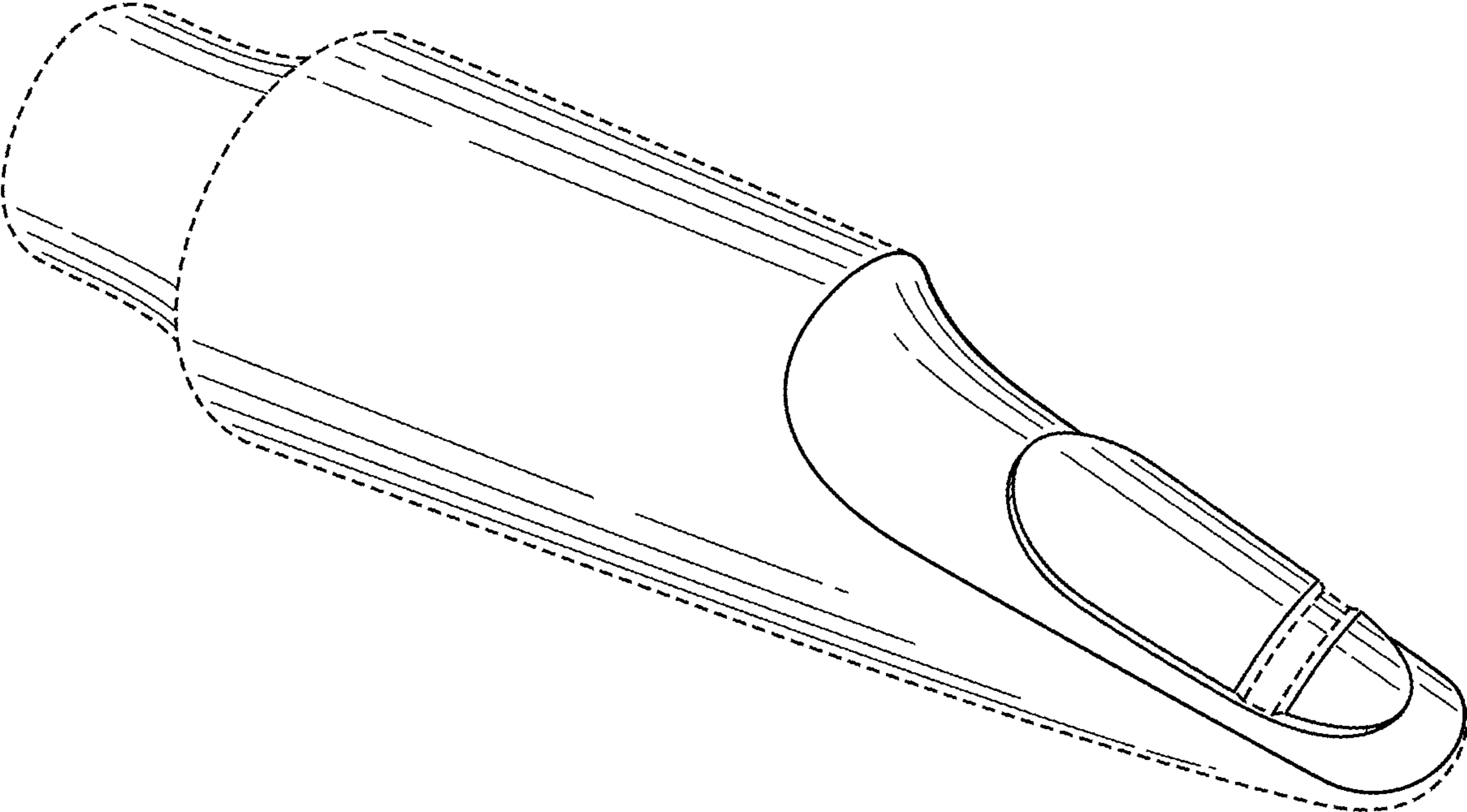


FIG. 1

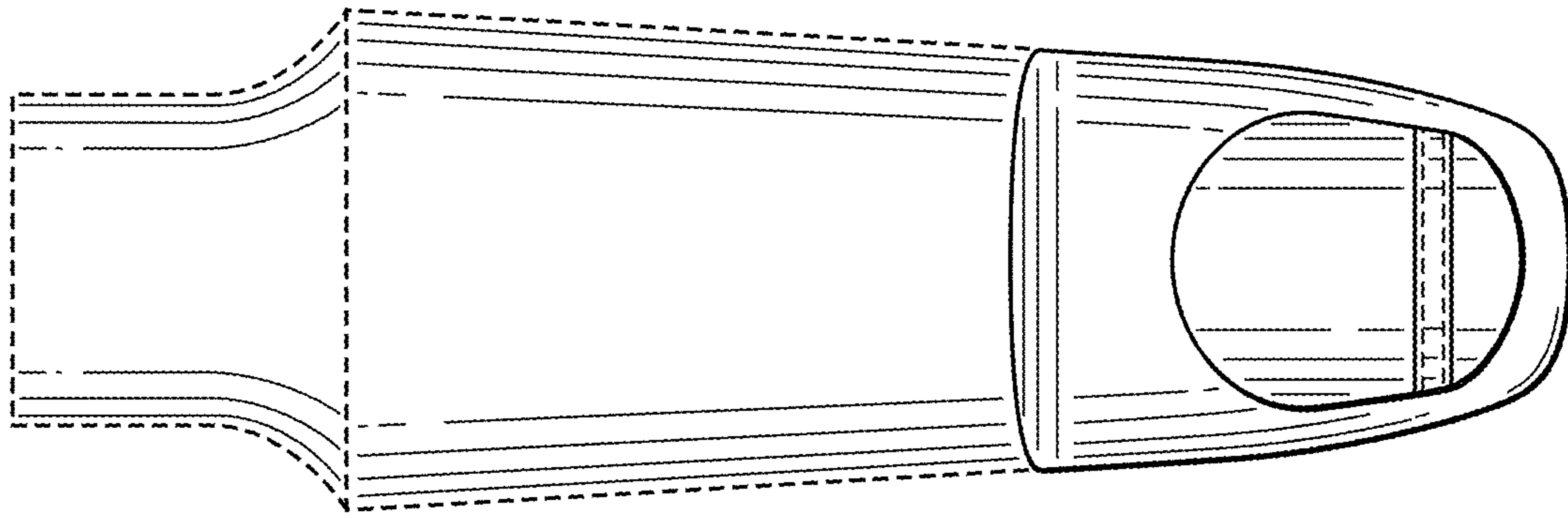


FIG. 2

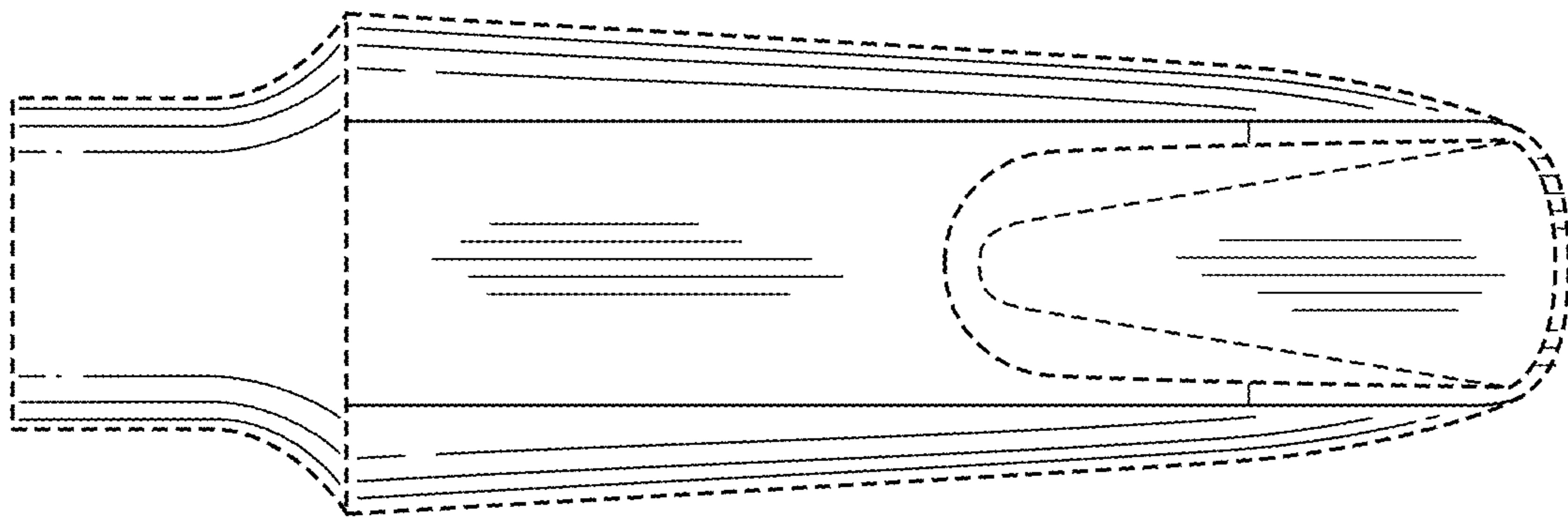


FIG. 3

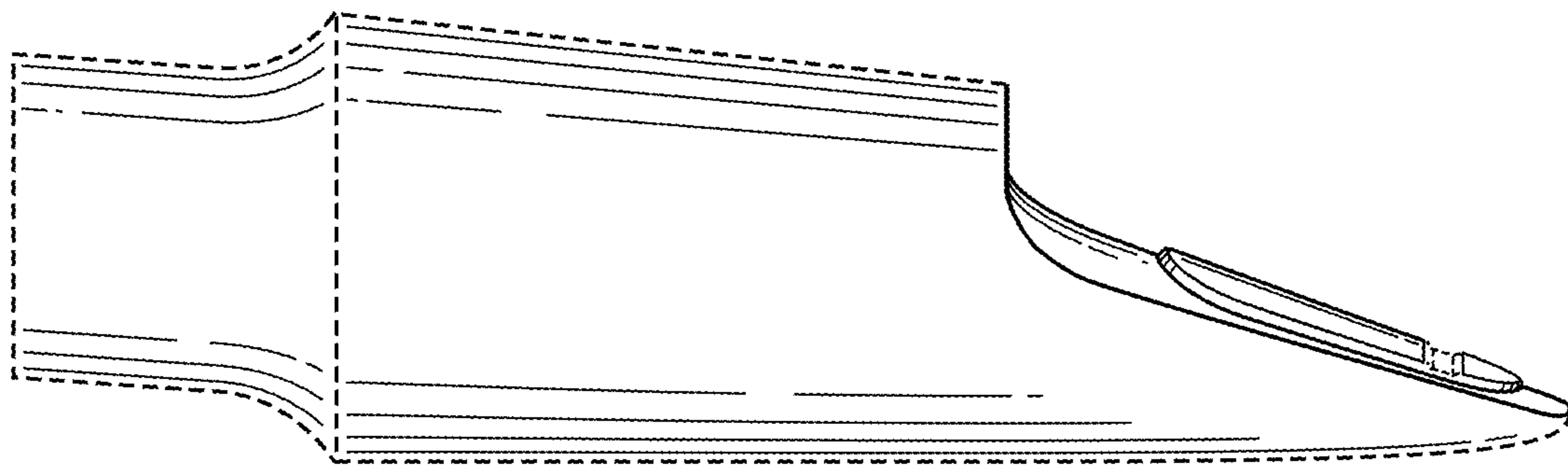


FIG. 4

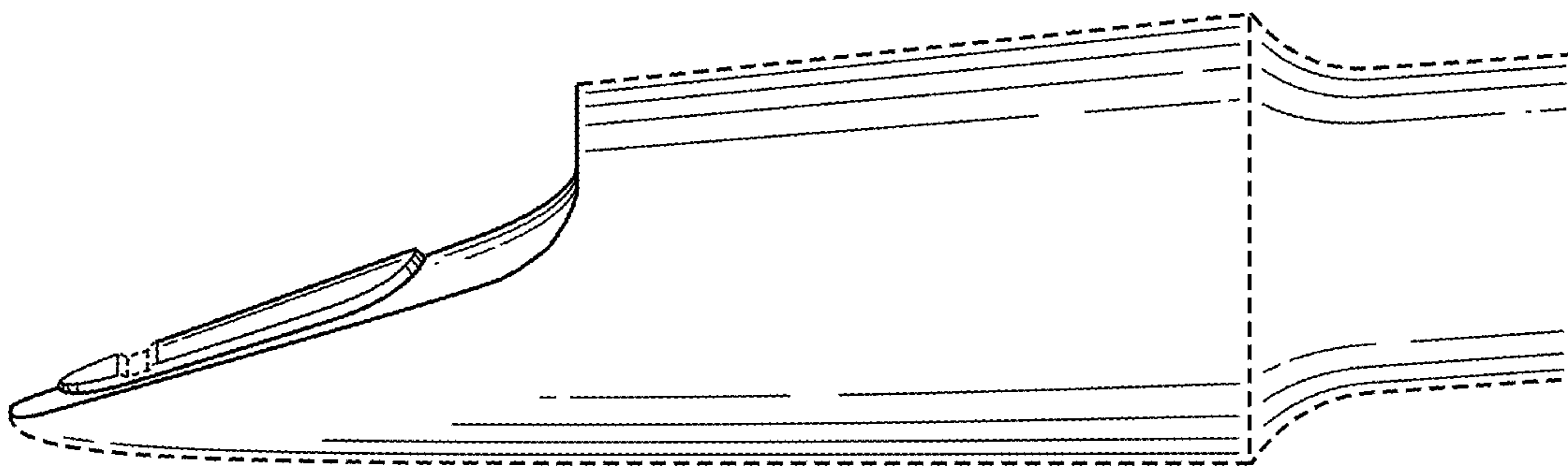


FIG. 5

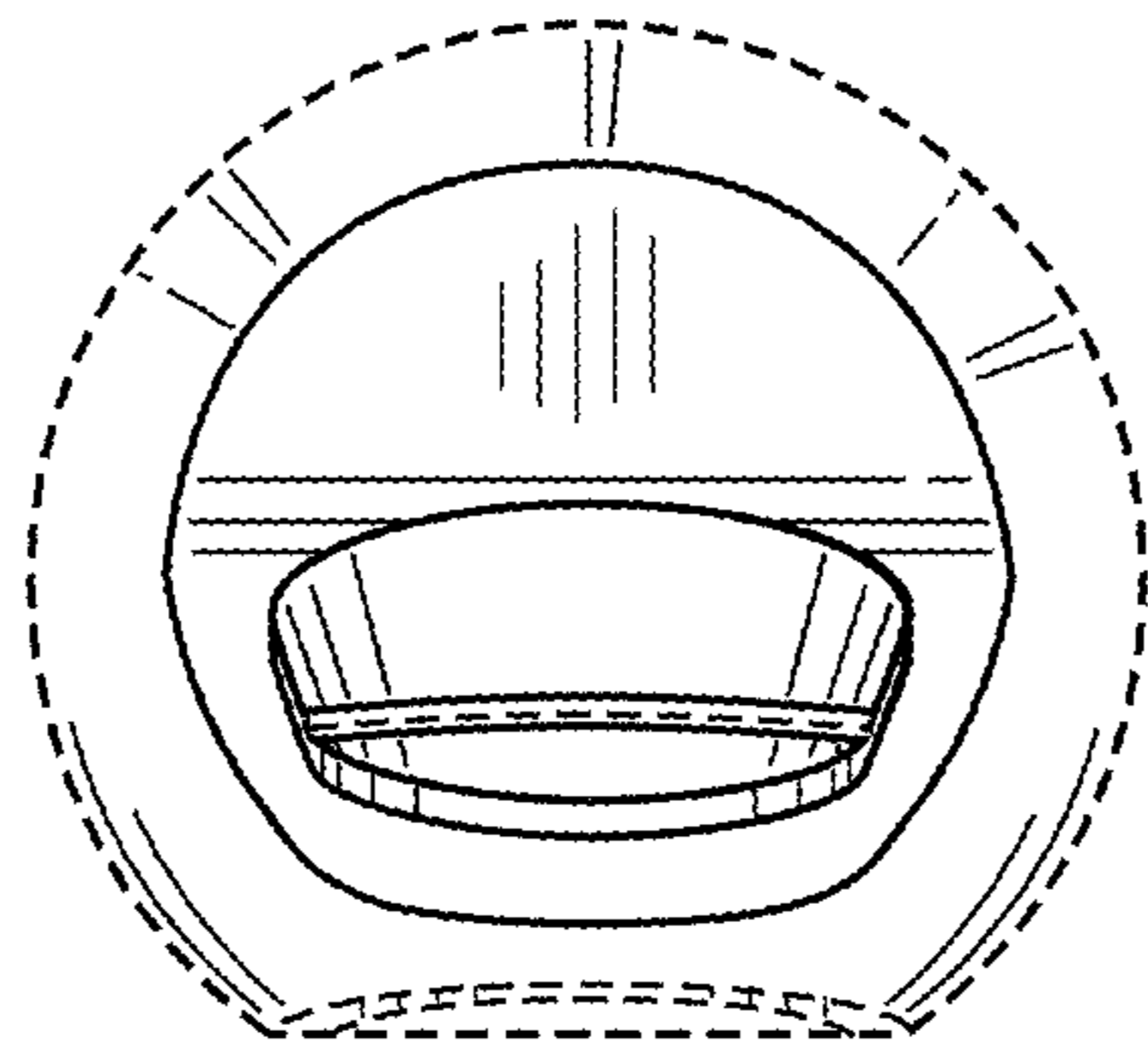


FIG. 6

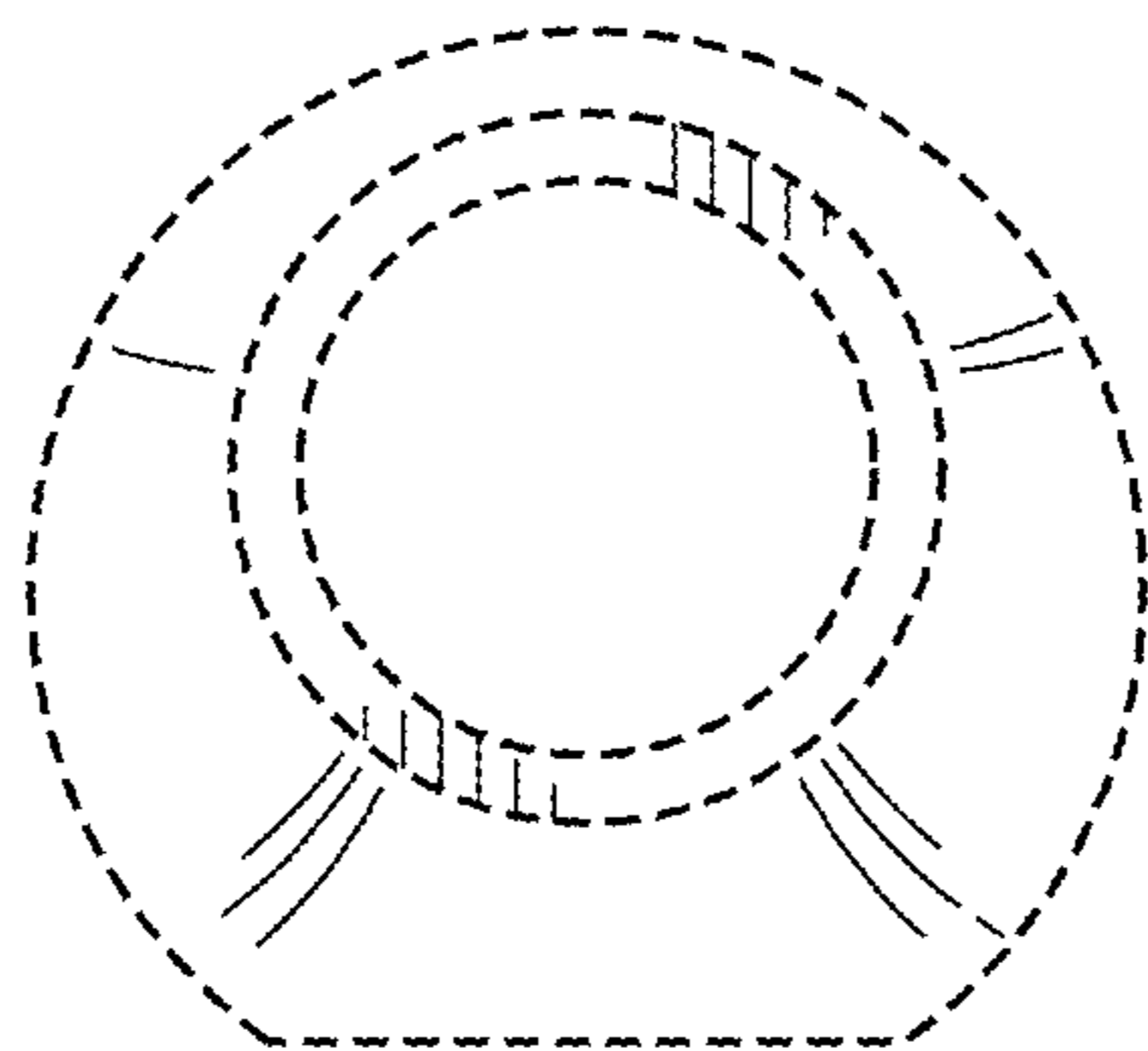


FIG. 7