



US00D897416S

(12) **United States Design Patent** (10) **Patent No.:** **US D897,416 S**  
**Bergman et al.** (45) **Date of Patent:** **\*\* Sep. 29, 2020**

(54) **CAMERA MOUNT**

(71) Applicant: **GoPro, Inc.**, San Mateo, CA (US)

(72) Inventors: **Senka Agic Bergman**, Montara, CA (US); **Arthur Charles Kwun**, Newark, CA (US); **Huy Phuong Nguyen**, San Mateo, CA (US); **Eric McCallister Bennett**, Foster City, CA (US); **Nicholas D. Woodman**, Big Sky, MT (US); **Joshua T. Druker**, Redwood City, CA (US); **Travis Pynn**, Moss Beach, CA (US)

(73) Assignee: **GoPro, Inc.**, San Mateo, CA (US)

(\*\*) Term: **15 Years**

(21) Appl. No.: **29/726,070**

(22) Filed: **Feb. 28, 2020**

**Related U.S. Application Data**

(60) Continuation of application No. 29/651,260, filed on Dec. 19, 2018, now Pat. No. Des. 880,570, which is a division of application No. 29/607,455, filed on Jun. 13, 2017, now Pat. No. Des. 841,722.

(51) **LOC (12) Cl.** ..... **16-05**

(52) **U.S. Cl.**  
USPC ..... **D16/242**

(58) **Field of Classification Search**

USPC ..... D16/237-250; D8/354, 355, 363, 373, D8/382, 383, 394, 396; D14/224, 229, D14/238, 251, 253

CPC ..... G03B 17/56; G03B 17/561-566; F16M 11/14

See application file for complete search history.

(56) **References Cited**

**U.S. PATENT DOCUMENTS**

D713,531 S 9/2014 Way  
D719,266 S 12/2014 Goldstein

D757,842 S 5/2016 Harrison  
D758,473 S 6/2016 Costa  
D759,147 S 6/2016 Harrison  
9,383,630 B2\* 7/2016 Russell ..... G03B 17/561  
9,395,603 B2\* 7/2016 Achenbach ..... G03B 17/561  
9,426,341 B1 8/2016 Baldrige  
D776,745 S 1/2017 Bennett

(Continued)

**OTHER PUBLICATIONS**

GoPro Bite Mount & Floaty . [online] Published on Oct. 4, 2017. Retrieved Apr. 24, 2018 from URL: <https://shop.gopro.com/mounts/bite-mount-plus-floaty/ASLBM-001.html>, 2 pages.

(Continued)

*Primary Examiner* — Vy N Koenig

(74) *Attorney, Agent, or Firm* — Young Basile Hanlon & MacFarlane, P.C.

(57) **CLAIM**

The ornamental design for a camera mount, as shown and described.

**DESCRIPTION**

FIG. 1 is a top, rear, left perspective view of a camera mount. FIG. 2 is a top plan view of the camera mount shown in FIG. 1.

FIG. 3 is a bottom plan view of the camera mount shown in FIG. 1.

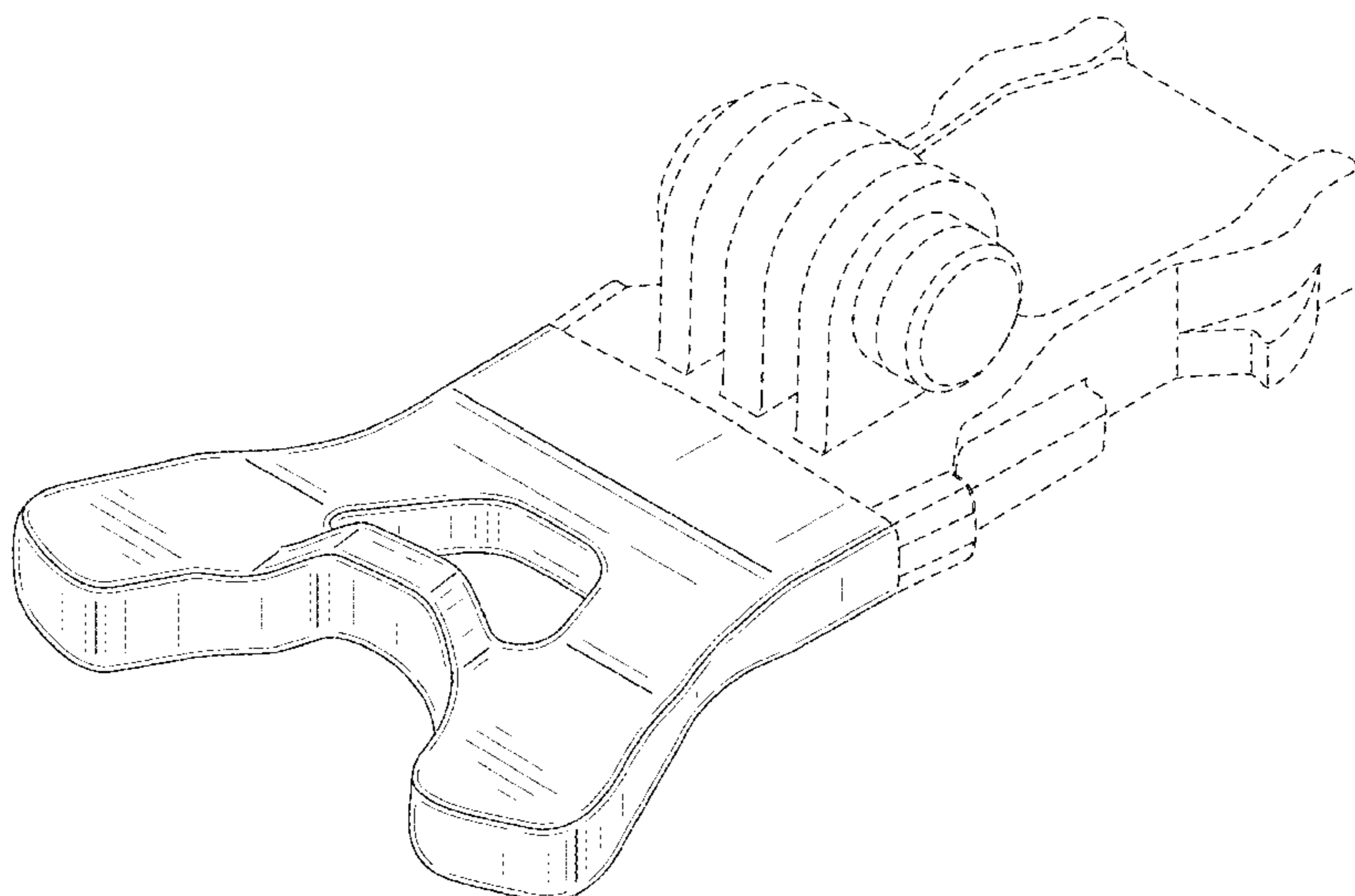
FIG. 4 is a left elevation view of the camera mount shown in FIG. 1.

FIG. 5 is a right elevation view of the camera mount shown in FIG. 1.

FIG. 6 is a rear elevation view of the camera mount shown in FIG. 1; and,

FIG. 7 is a front elevation view of the camera mount shown in FIG. 1.

**1 Claim, 7 Drawing Sheets**



(56)

**References Cited**

U.S. PATENT DOCUMENTS

D776,746	S	1/2017	Bennett	
D780,249	S	2/2017	Ramsthaller	
9,588,407	B1	3/2017	Harrison	
9,715,164	B2	7/2017	Russell	
D800,822	S	10/2017	Costa	
D820,458	S	6/2018	Way	
10,057,465	B2 *	8/2018	Heine	..... F16M 11/041
10,094,513	B2 *	10/2018	Bennett	..... F16M 13/00
D841,722	S	2/2019	Bergman	
D880,570	S *	4/2020	Bergman	..... D16/242
2015/0076184	A1	3/2015	Achenbach	
2015/0253651	A1	9/2015	Russell	
2015/0309396	A1	10/2015	Rohrer	
2015/0316205	A1	11/2015	Bennett	

OTHER PUBLICATIONS

Surfing Dummy Bite Mouth Gum Grill Mount for GoPro. [online]  
Published Jan. 21, 2017. Retrieved Apr. 24, 2018 from URL:  
<https://www.walmart.com/ip/Surfing-Dummy-Bite-Mouth-Gum-Grill-Mount-for-GoPro-Hero-4-3-3-2/281185292>, 6 pages.

\* cited by examiner

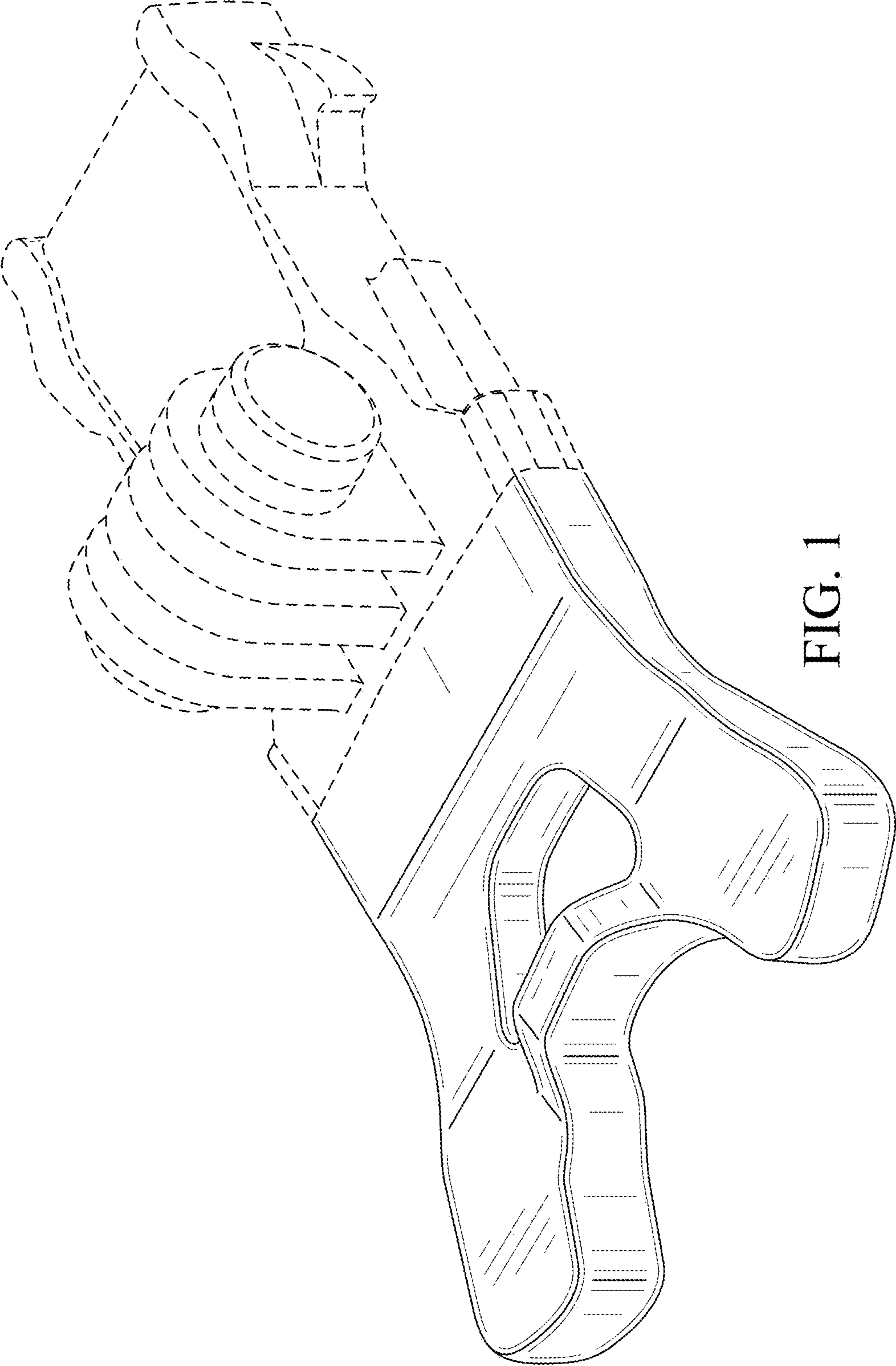


FIG. 1

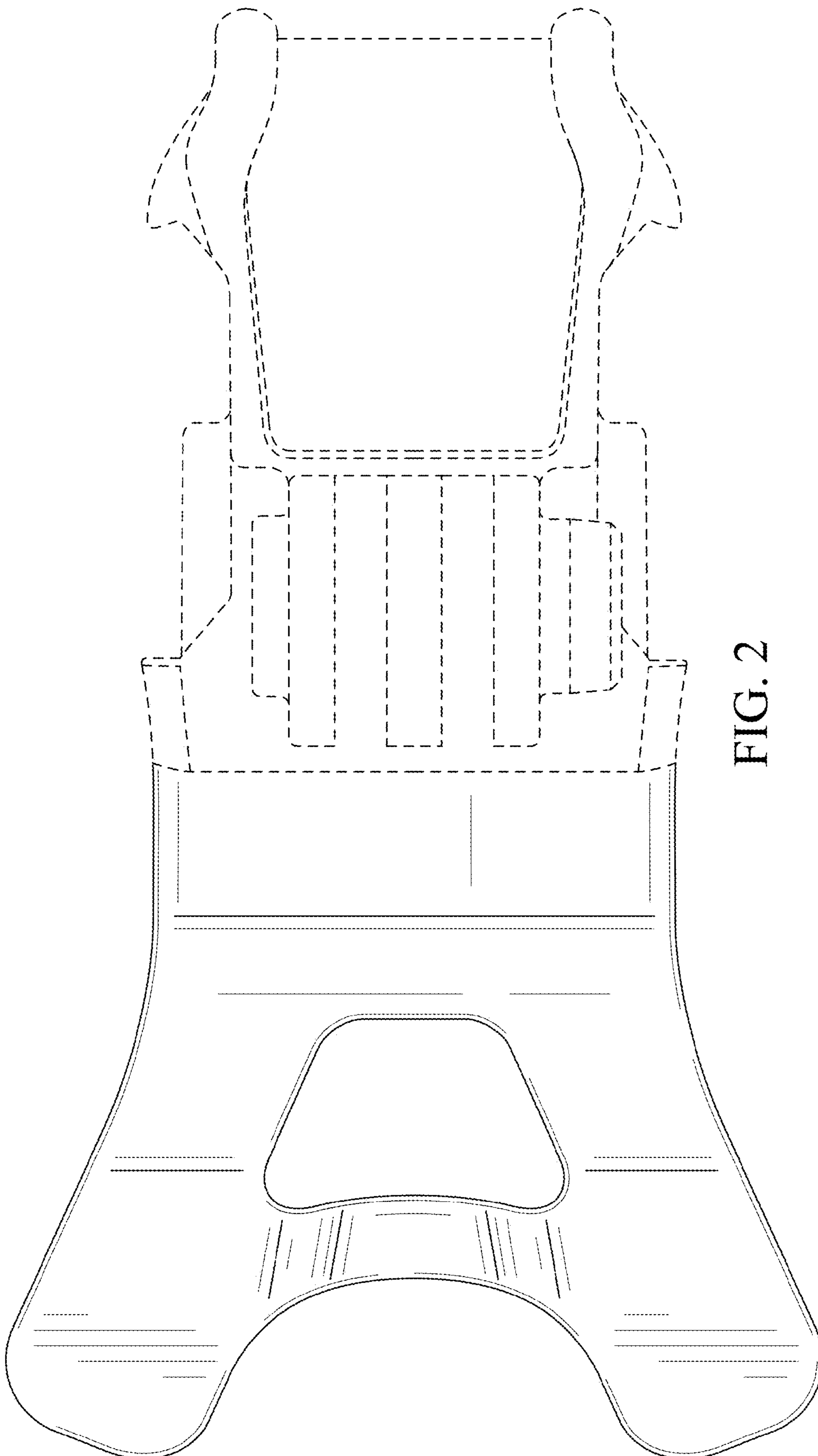


FIG. 2

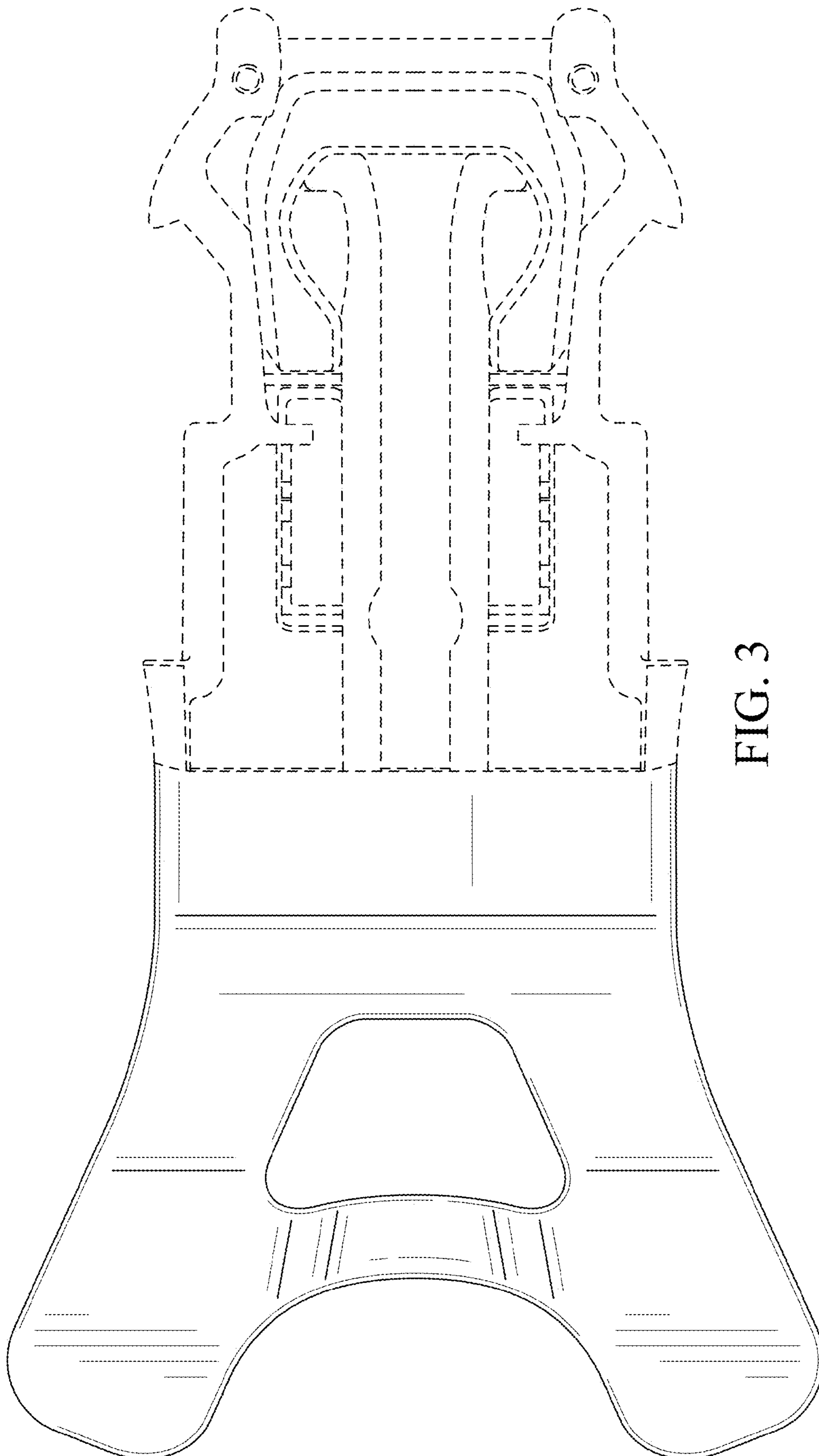


FIG. 3

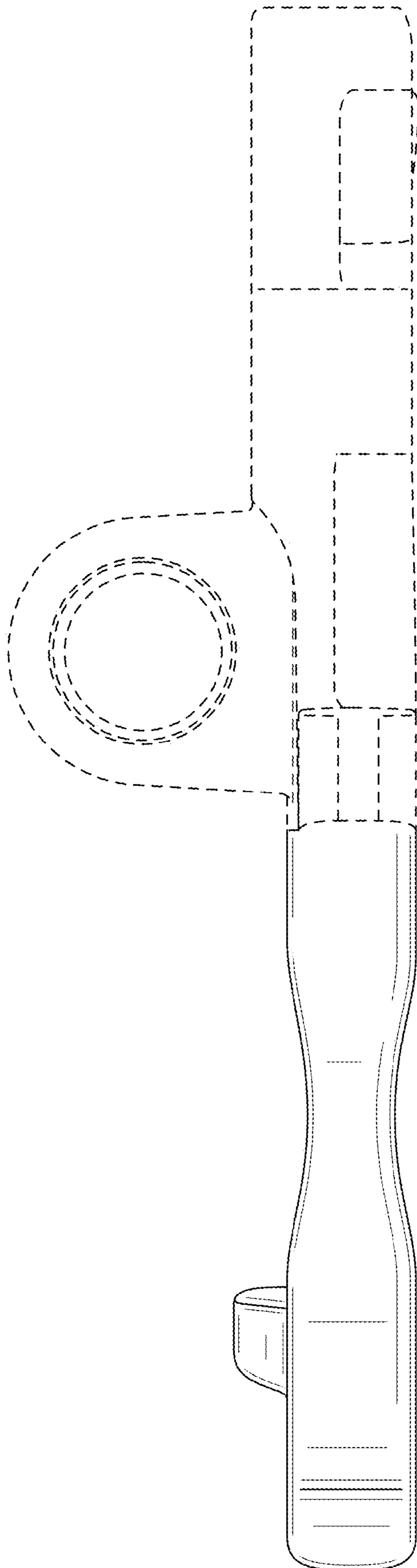


FIG. 4

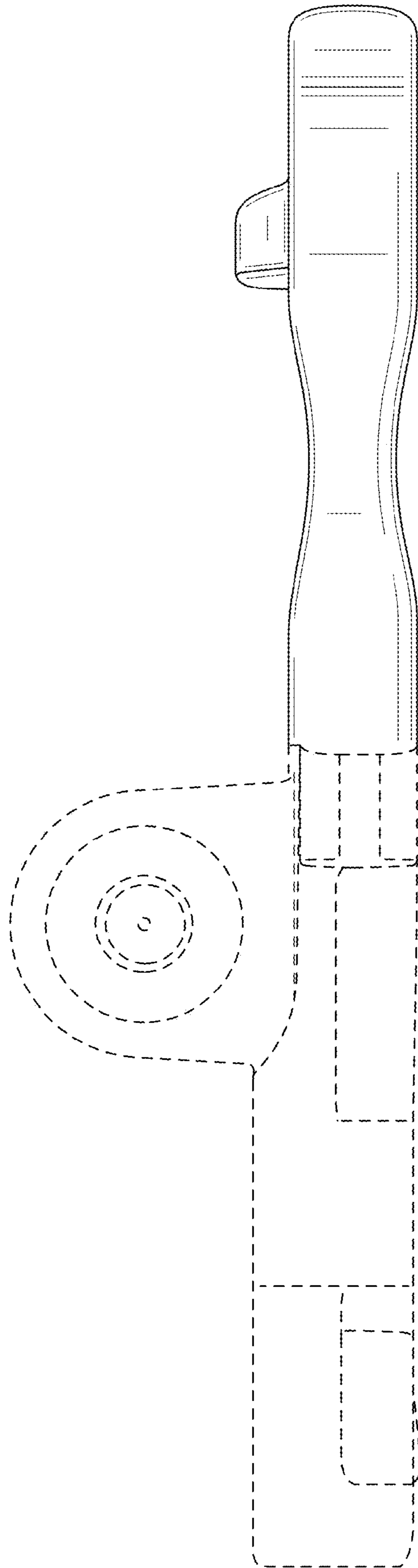


FIG. 5

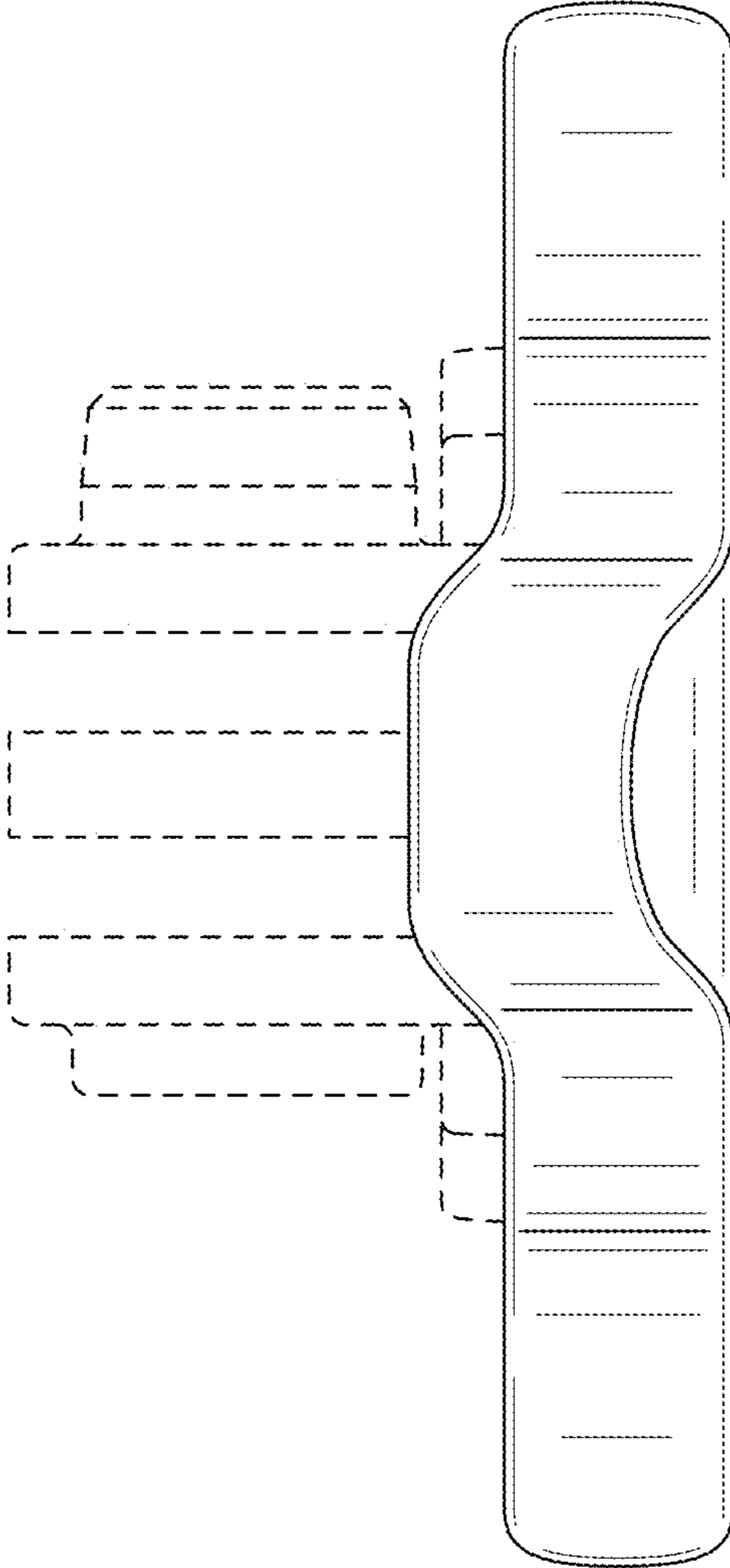


FIG. 6



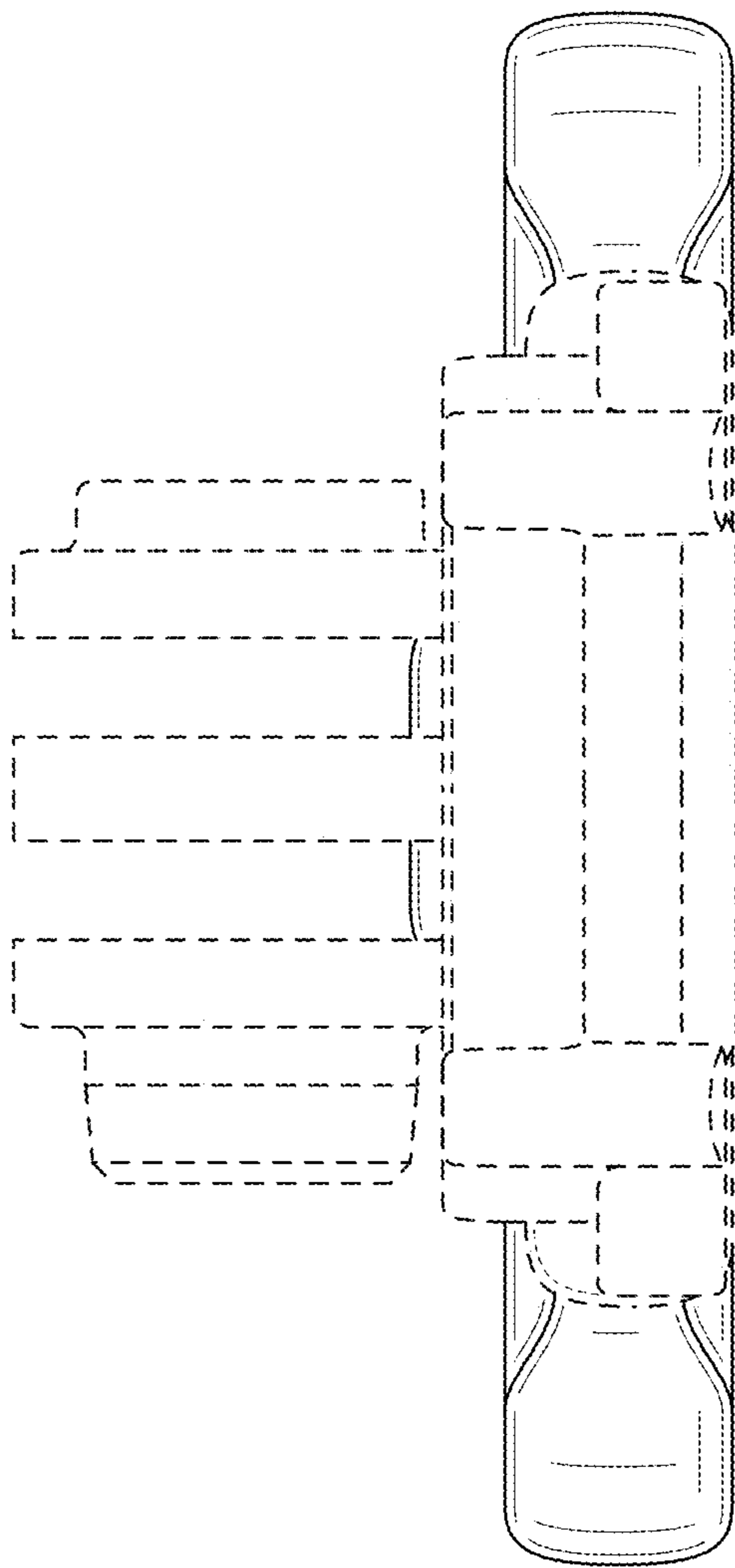


FIG. 7