



US00D897415S

(12) **United States Design Patent**
Muhlenkamp, IV et al.

(10) **Patent No.:** **US D897,415 S**
(45) **Date of Patent:** **** Sep. 29, 2020**

(54) **CAMERA MOUNT**

FOREIGN PATENT DOCUMENTS

(71) Applicant: **GoPro, Inc.**, San Mateo, CA (US)

GB 6006189 * 1/2017

(72) Inventors: **John George Muhlenkamp, IV**,
Brisbane, CA (US); **Christopher Aaron**
Clearman, Half Moon Bay, CA (US)

OTHER PUBLICATIONS

(73) Assignee: **GoPro, Inc.**, San Mateo, CA (US)

Spypoint Xcel Action Camera Adhesive Mount XHD-AM. Online,
published date unknown. Retrieved on May 14, 2020 from URL:
<https://www.opticsplanet.com/spy-point-xcel-action-camera-adhesive-mount.html>.*

(**) Term: **15 Years**

(Continued)

(21) Appl. No.: **29/675,551**

Primary Examiner — Susan Bennett Hattan

(22) Filed: **Jan. 3, 2019**

Assistant Examiner — Omeed Agilee

(74) *Attorney, Agent, or Firm* — Young Basile Hanlon &
MacFarlane, P.C.

Related U.S. Application Data

(63) Continuation of application No. 29/606,950, filed on
Jun. 8, 2017, now Pat. No. Des. 841,721, which is a
continuation-in-part of application No. 15/180,535,
filed on Jun. 13, 2016, now Pat. No. 9,772,542, which
is a continuation of application No. 14/883,431, filed
on Oct. 14, 2015, now Pat. No. 9,395,031.

(57) **CLAIM**

The ornamental design for a camera mount, as shown and
described.

(51) **LOC (12) Cl.** **16-05**

DESCRIPTION

(52) **U.S. Cl.**
USPC **D16/242**

(58) **Field of Classification Search**
USPC D16/203, 208, 213–219, 235–250;
D14/217, 229, 250–253; D8/353, 362,
D8/371, 394
CPC .. G03B 17/02–04; G03B 17/14; G03B 17/56;
G03B 17/561–568; G03B 21/20; G02B
7/00–002; F16M 11/02; F16M 11/04;
F16M 11/20; F16M 11/40
See application file for complete search history.

FIG. 1 is a bottom, front, left perspective view of a camera
mount showing our new design.

FIG. 2 is a top, front, right perspective view of the camera
mount shown in FIG. 1.

FIG. 3 is a bottom plan view of the camera mount shown in
FIG. 1.

FIG. 4 is a front elevation view of the camera mount shown
in FIG. 1.

FIG. 5 is a rear elevation view of the camera mount shown
in FIG. 1.

FIG. 6 is a right elevation view of the camera mount shown
in FIG. 1; and,

FIG. 7 is a left elevation view of the camera mount shown
in FIG. 1.

The broken lines in the drawings illustrate unclaimed por-
tions of the camera mount and form no part of the claimed
design.

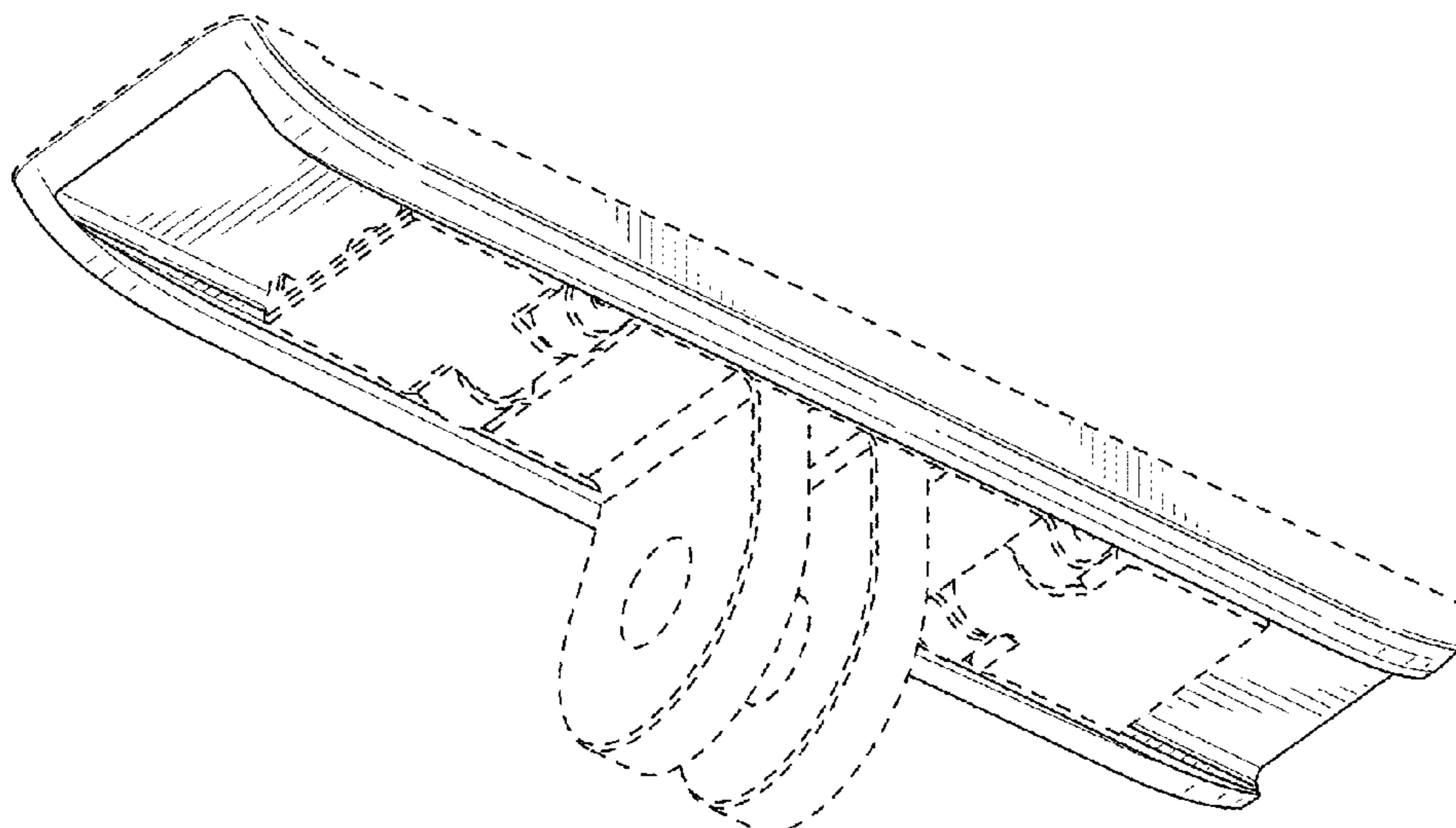
(56) **References Cited**

U.S. PATENT DOCUMENTS

4,763,151 A 8/1988 Klinger
7,077,582 B2 7/2006 Johnson
7,185,862 B1 3/2007 Yang

(Continued)

1 Claim, 3 Drawing Sheets



(56)

References Cited

U.S. PATENT DOCUMENTS

8,348,214 B2 1/2013 Vogt
 8,827,219 B2 9/2014 Kessler
 9,243,737 B2 1/2016 Hida
 D749,164 S 2/2016 Raccah
 9,297,616 B2 3/2016 Daniel
 9,297,640 B2 3/2016 Tassakos
 9,372,383 B2 6/2016 Johnson
 D764,566 S 8/2016 Bennett
 9,426,341 B1 8/2016 Baldrige
 D776,746 S 1/2017 Bennett
 D777,240 S 1/2017 Costa
 9,736,376 B1 8/2017 Holway
 D800,205 S 10/2017 Harrison
 D800,822 S * 10/2017 Costa D16/242
 9,851,622 B2 * 12/2017 Song A45F 5/02
 D841,721 S * 2/2019 Muhlenkamp, IV D16/242
 D873,833 S * 1/2020 Leimer D14/440
 D879,762 S * 3/2020 Luo D14/250
 2005/0041966 A1 2/2005 Johnson
 2009/0110380 A1 4/2009 Fantone
 2009/0283184 A1 * 11/2009 Han H05K 5/0243
 150/165
 2010/0229450 A1 9/2010 Becker

2012/0120236 A1 5/2012 Xiao
 2014/0321843 A1 * 10/2014 Hulse F16M 11/041
 396/420
 2015/0234258 A1 8/2015 Hida
 2015/0346588 A1 12/2015 Hudson
 2016/0186919 A1 * 6/2016 Zhao F16M 11/045
 403/322.1
 2017/0255082 A1 * 9/2017 Song F16C 11/103

OTHER PUBLICATIONS

United States Office Action, U.S. Appl. No. 15/180,535, dated Jan. 17, 2017, 12 pages.
 Fantaseal Action Camera Bike Mount Aluminum Alloy 2-Rail Saddle Bike Seat Mount for GoPro Pro Seat Rail Mount GoPro Bike Mount GoPro Bicycle Seat Rack Mount for GoPro Garmin Virb XE SJCAMDBPOWER-BK. Online, published date unknown. Retrieved on May 23, 2018 from URL: <https://www.amazon.com/fantaseal-Action-Camera-Bi> (1 page).
 Pro Camera Bracket Integrated Mount. Online, published date unknown. Retrieved on May 23, 2018 from URL: <https://www.annaincycling.com/pro-camera-bracket-integrated-mount-black-17-pro-saddle-compatible-prac0129/p612468> (1 page).

* cited by examiner

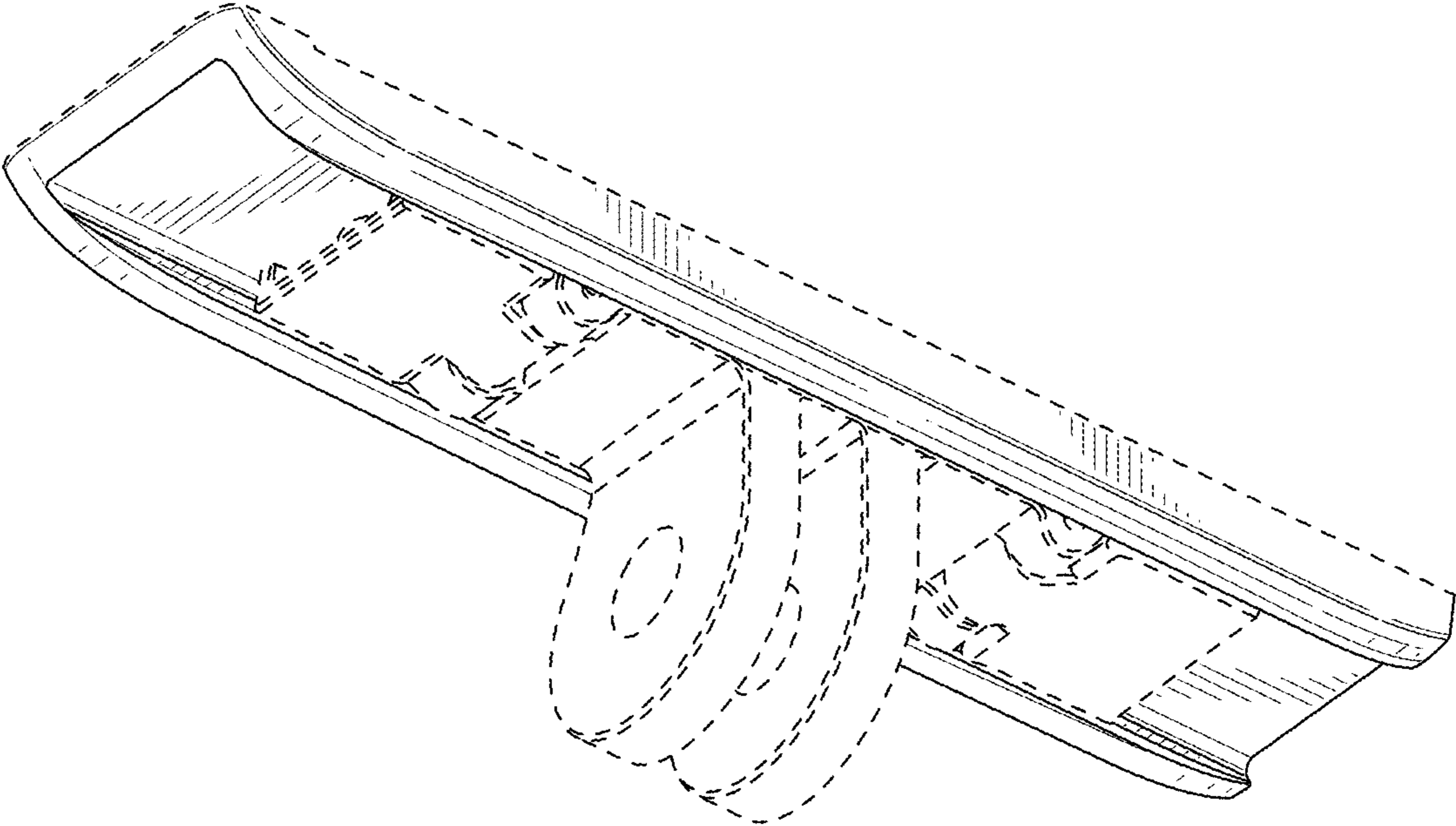


FIG. 1

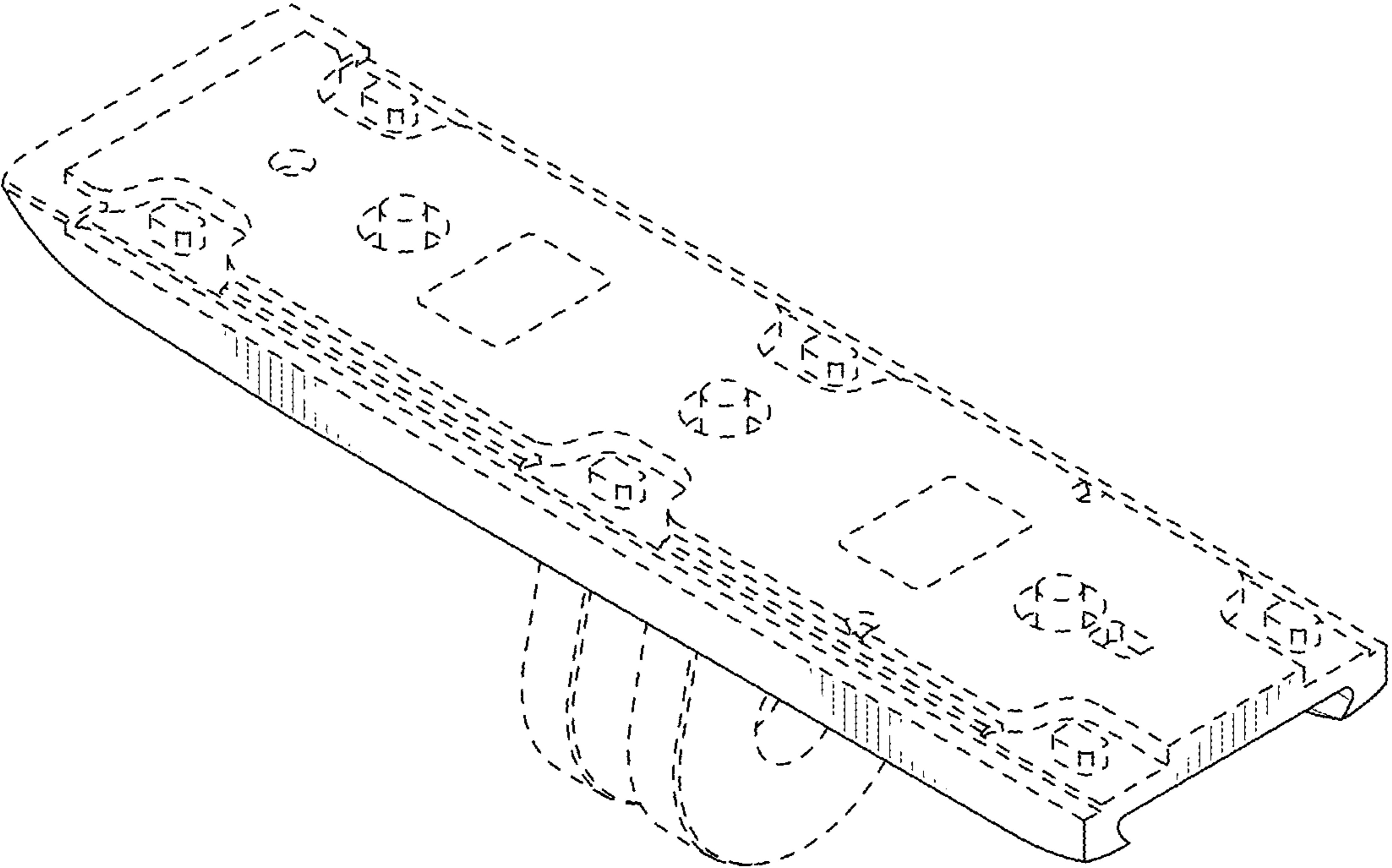


FIG. 2

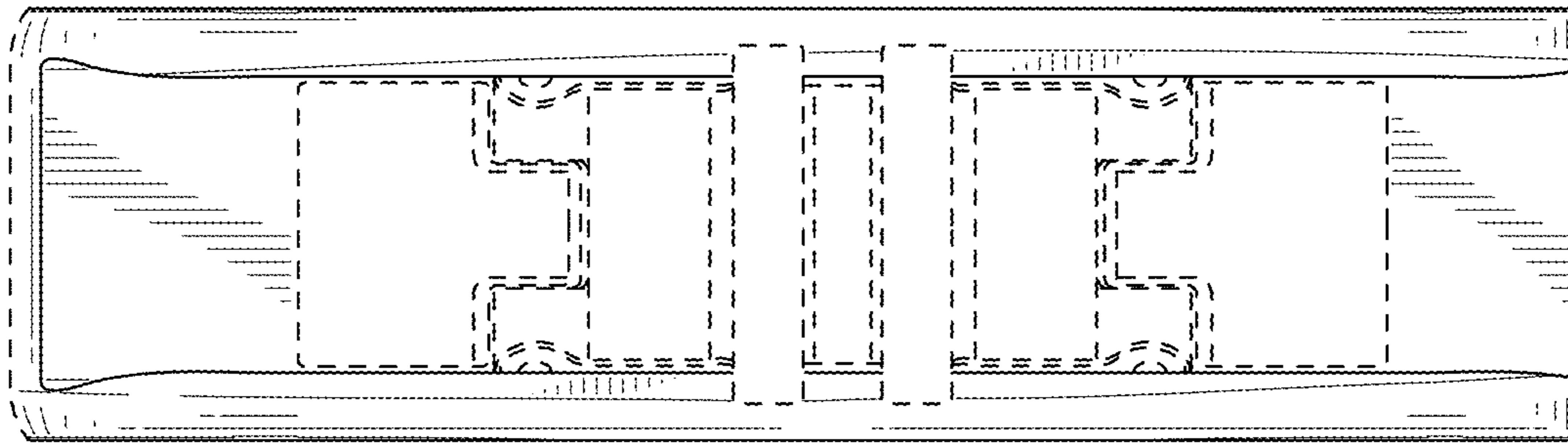


FIG. 3

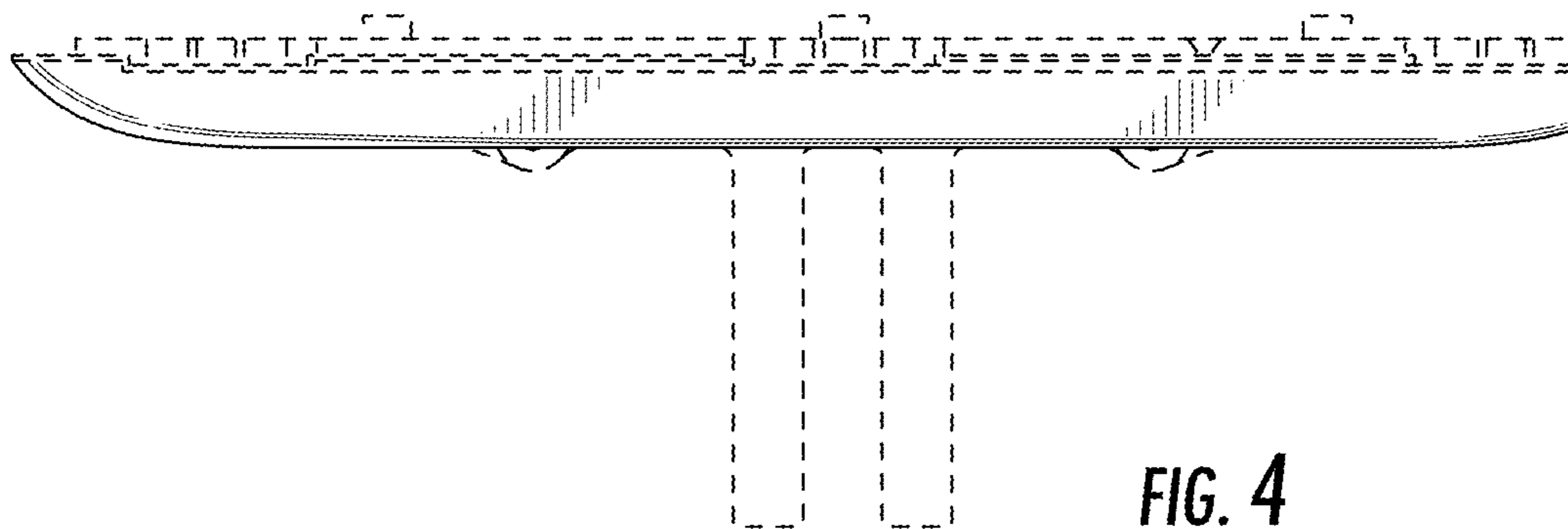


FIG. 4

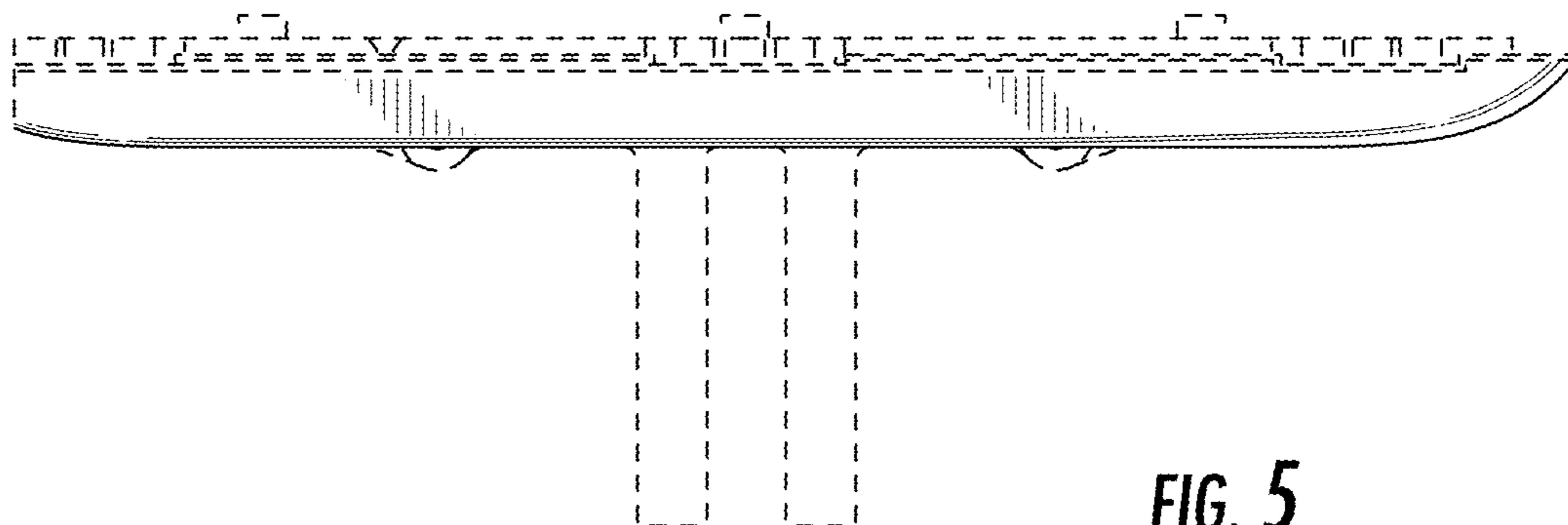


FIG. 5

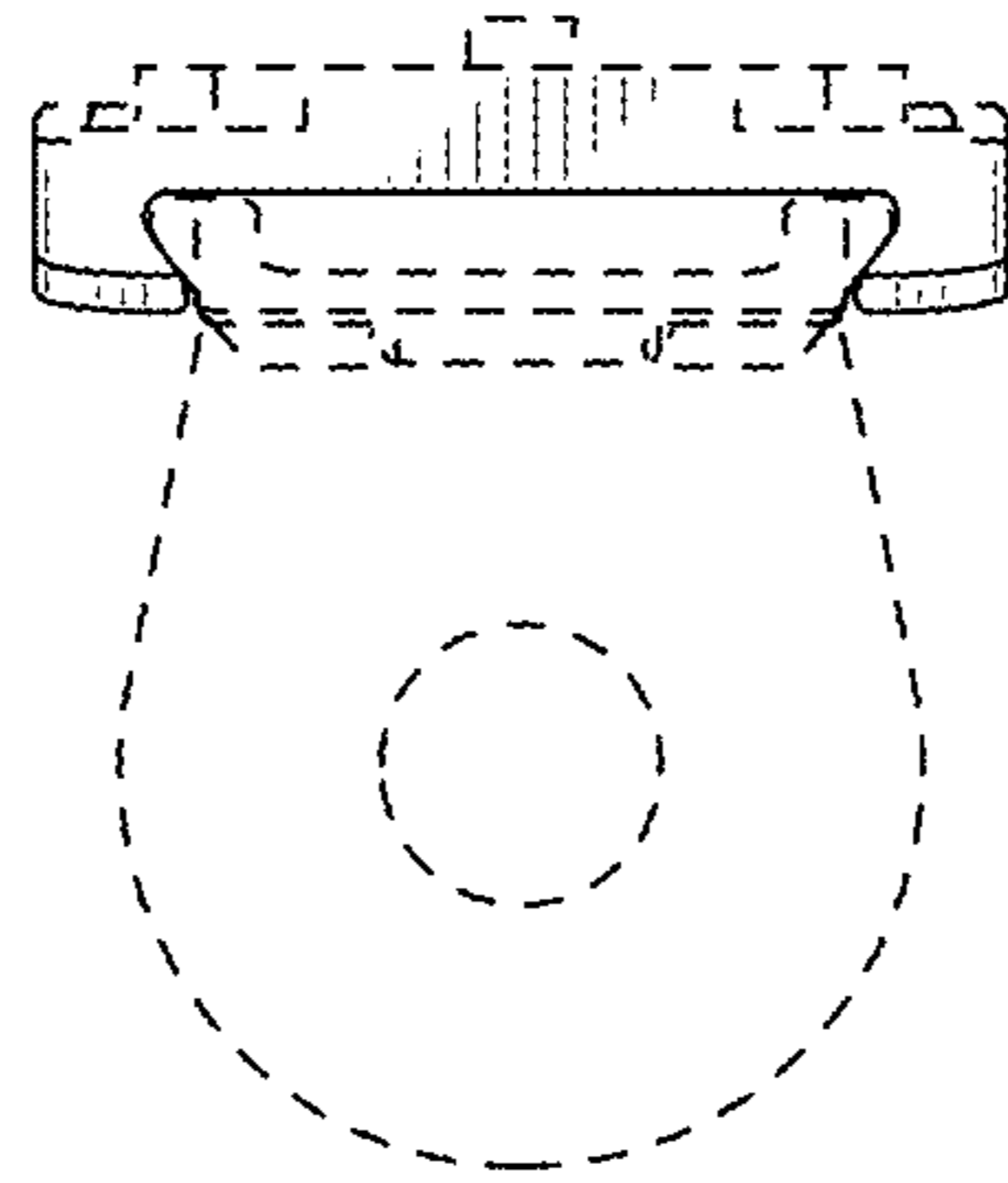


FIG. 6

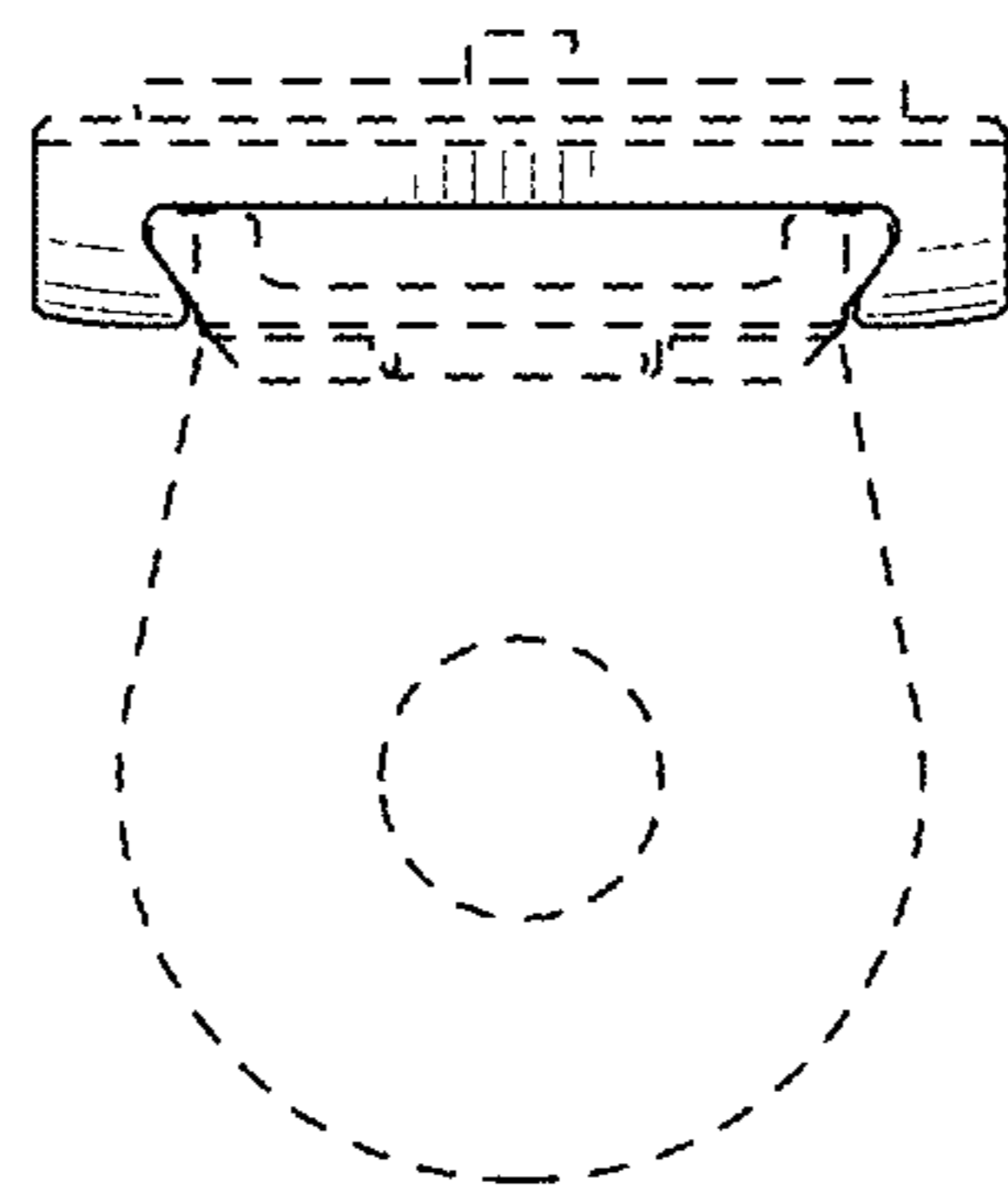


FIG. 7