



US00D897414S

(12) **United States Design Patent** (10) **Patent No.:** **US D897,414 S**
Elias (45) **Date of Patent:** **** Sep. 29, 2020**

(54) **TRIPOD MOUNT**
(71) Applicant: **James Harrison Elias**, Kolbermoor (DE)
(72) Inventor: **James Harrison Elias**, Kolbermoor (DE)

5,064,062 A 11/1991 Miller
5,350,147 A 9/1994 Paganus
5,458,306 A 10/1995 O’Farrill et al.
D395,641 S 6/1998 Gaete
(Continued)

(**) Term: **15 Years**
(21) Appl. No.: **29/671,803**

FOREIGN PATENT DOCUMENTS

CN 205824551 12/2016
DE 20005216 9/2000
(Continued)

(22) Filed: **Nov. 29, 2018**
(51) **LOC (12) Cl.** **16-05**
(52) **U.S. Cl.**
USPC **D16/242**
(58) **Field of Classification Search**
USPC D16/219, 237–250; D8/354, 355, 363,
D8/373, 382–383, 394–396; D14/224,
D14/229, 238, 251, 447, 451, 457
CPC H04N 5/2253–2254; G03B 17/561–568;
G03B 17/56; G02B 7/00–002; F16M
11/14; F16M 11/06–10; A45F
2200/0508–0533; A45F 5/00; A45F 5/10
See application file for complete search history.

OTHER PUBLICATIONS

OctoPad XL—Bundle with Manfrotto Universal Clamp. [online] Published 2/28/19. Retrieved Oct. 30, 2019 from URL: https://www.amazon.com/OCTOPUS-CAMERA-OctoPad-XL-Manfrotto-Universal/dp/B07P62RCG5/ref=sr_1_47?keywords=octopad&qid=1572463898&sr=8-47.*

(Continued)

Primary Examiner — Vy N Koenig
(74) *Attorney, Agent, or Firm* — Michael J. Nickerson; Basch & Nickerson LLP

(56) **References Cited**

U.S. PATENT DOCUMENTS

148,600 A 3/1874 Donn
2,357,165 A 2/1944 Brady
3,463,437 A 8/1969 Henderson
D221,634 S 8/1971 Bradspies et al.
D239,395 S * 3/1976 David D30/118
4,162,696 A 7/1979 Sprung
4,355,777 A 10/1982 Greenstreet
4,501,401 A 2/1985 Conee
4,516,767 A * 5/1985 Eskijian A63B 5/11
482/27
4,570,886 A 2/1986 Mooney
4,606,524 A 8/1986 Conee
4,788,916 A 12/1988 Saxton
4,852,836 A 8/1989 Kawazoe
D310,677 S 9/1990 Stidham, Jr. et al.
D312,650 S 12/1990 Charrier

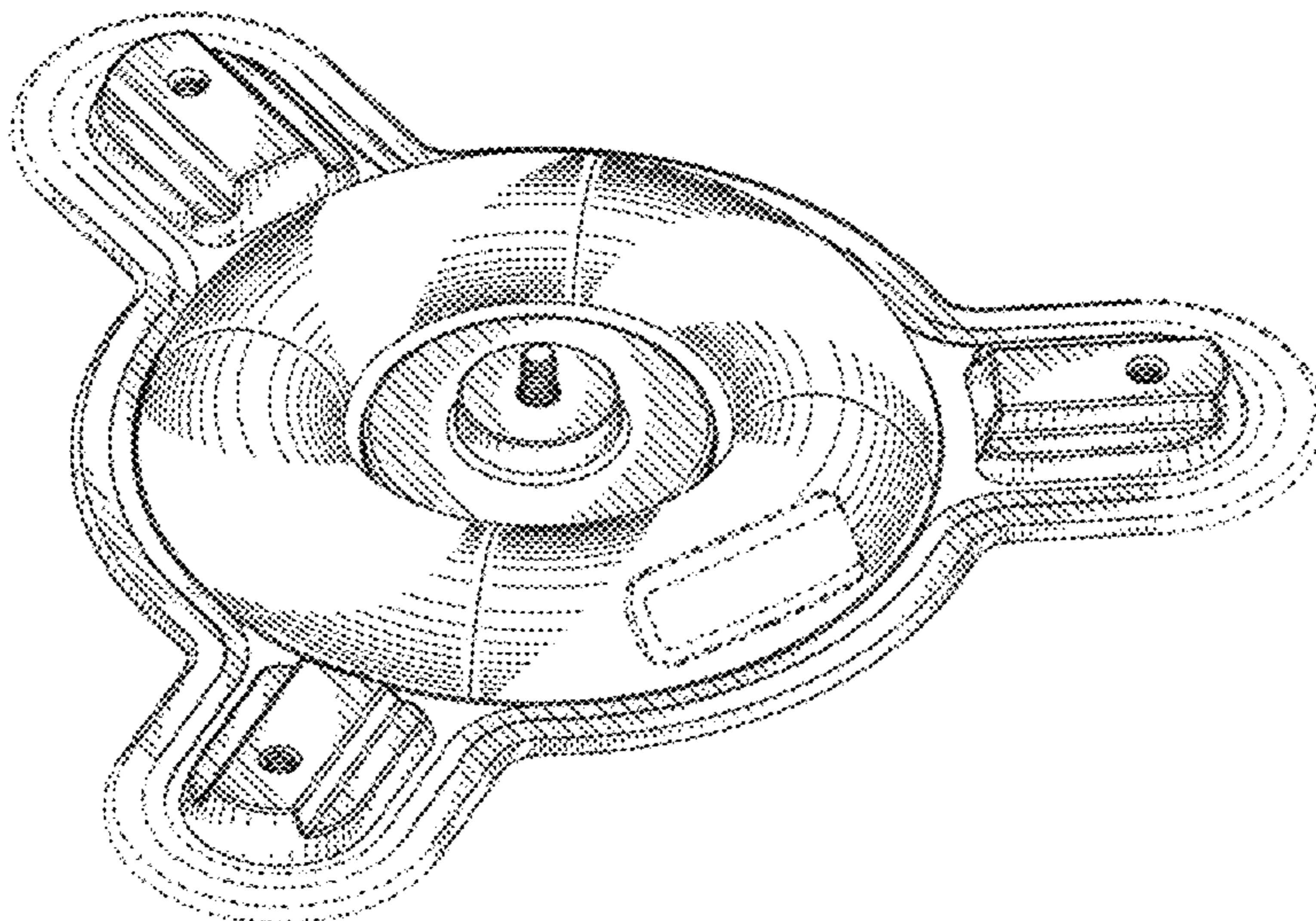
(57) **CLAIM**

The ornamental design for a tripod mount, as shown and described.

DESCRIPTION

FIG. 1 is a top, front and right perspective view of a tripod mount showing the new design in a typical use configuration;
FIG. 2 is a front view of the tripod mount;
FIG. 3 is a rear view of the tripod mount;
FIG. 4 is a left side view of the tripod mount;
FIG. 5 is right side view of the tripod mount; and,
FIG. 6 is a top view of the tripod mount.
The broken-lines in the drawings depict portions of the tripod mount that form no part of the claimed design.

1 Claim, 3 Drawing Sheets



(56)

References Cited

U.S. PATENT DOCUMENTS

5,810,313 A 9/1998 Armstrong
 5,924,681 A 7/1999 Chernack
 6,073,902 A 6/2000 Hiles
 D427,572 S 7/2000 Solomon et al.
 6,315,120 B1 11/2001 Tally et al.
 6,330,992 B1 12/2001 Swayhoover et al.
 6,371,345 B1 4/2002 Leyen et al.
 6,439,530 B1 8/2002 Scheenfish et al.
 D480,376 S * 10/2003 Ma D13/108
 6,755,380 B2 * 6/2004 Pace A45D 34/00
 248/146
 7,140,622 B1 11/2006 Cantu
 7,403,813 B1 7/2008 Liou
 D575,289 S 8/2008 Kuo et al.
 D586,392 S 3/2009 Yang et al.
 7,581,703 B1 9/2009 Coleman et al.
 7,682,543 B2 3/2010 Carnevali
 7,690,614 B1 4/2010 Mudd et al.
 D629,806 S 12/2010 Ho et al.
 7,988,106 B2 8/2011 Carnevali
 7,992,831 B2 8/2011 Fan
 D657,795 S 4/2012 Smith et al.
 D670,704 S 11/2012 Barker
 D680,121 S 4/2013 Yamamoto
 D686,252 S 8/2013 Paul
 D687,833 S 8/2013 Grittins
 8,544,640 B1 10/2013 Hilton
 D703,674 S 4/2014 Zito et al.
 D706,333 S 6/2014 Chun
 D706,855 S 6/2014 Matsumoto et al.
 8,747,418 B2 6/2014 Qureshi et al.
 D719,961 S 12/2014 Xiang et al.
 D725,660 S 3/2015 Trotsky
 D731,496 S 6/2015 Voorhees
 D748,639 S 2/2016 Khodapanah et al.
 D757,835 S 5/2016 Tabuchi
 D773,325 S 12/2016 Browning et al.
 D827,622 S * 9/2018 Baiz D14/238
 10,223,885 B2 * 3/2019 Larsson G03B 17/02
 10,330,467 B2 * 6/2019 Rueb F16M 11/126
 D855,621 S * 8/2019 Elias D14/447
 D855,624 S * 8/2019 Elias D14/447
 D855,625 S * 8/2019 Elias D14/447
 D855,626 S * 8/2019 Elias D14/447
 D855,627 S * 8/2019 Elias D14/447
 D855,628 S * 8/2019 Elias D14/447
 D856,342 S * 8/2019 Elias D14/447
 D857,024 S * 8/2019 Elias D14/447
 D857,699 S * 8/2019 Elias D14/447
 D861,699 S * 10/2019 Elias D14/447
 D861,700 S * 10/2019 Elias D14/447
 2003/0102419 A1 6/2003 Carnevali
 2007/0152117 A1 7/2007 Byrd
 2007/0290104 A1 12/2007 Denison et al.
 2008/0203263 A1 8/2008 Carnevali
 2009/0108166 A1 4/2009 Fan
 2009/0242719 A1 10/2009 Carnevali
 2010/0193649 A1 8/2010 Wieggers

2010/0287810 A1 11/2010 Kleppe
 2012/0070141 A1 3/2012 Scholz et al.
 2012/0255982 A1 10/2012 Craig
 2014/0054426 A1 2/2014 Burns
 2014/0325818 A1 11/2014 Mayfield
 2018/0080601 A1 3/2018 Bosnakovic

FOREIGN PATENT DOCUMENTS

DE 102008061036 6/2010
 DE 202011108150 2/2012
 EP 102653131 B1 3/2006
 EP 2520845 12/2013
 EP 1491986 12/2014
 FR 2262374 B1 9/1975
 GB 622680 5/1949
 GB 1136159 12/1968
 GB 2359144 8/2001
 GB 2432223 6/2007
 GB 2457440 8/2009
 GB 2472820 2/2011
 JP 2000193191 A 7/2000
 KR 20140003550 6/2014
 WO WO199811380 3/1998
 WO WO200061336 10/2000
 WO WO2007077430 7/2007
 WO WO2007086089 8/2007
 WO WO2017099606 6/2017
 WO WO2017178942 10/2017

OTHER PUBLICATIONS

Benro Webpage; www.benrousa.com Apr. 25, 2018.
 Induro Webpage; www.indurogear.com Apr. 25, 2018.
 Manfrotto Webpage; www.manfrotto.us Apr. 25, 2018.
 Matthews Webpage; products.msegrip.com Apr. 25, 2018.
 OctoPad Webpage; www.dorama.com Apr. 25, 2018.
 Vinten Webpage; www.vinten.com Apr. 25, 2018.
 International Search Report (PCT/US2018/035268) dated Oct. 31, 2018 Oct. 31, 2018.
 International Search Report (PCT/US2018/016542) dated Jun. 5, 2018 Jun. 5, 2018.
 “The pod Tripod Alternative-beanbag with a bolt travel,” Palmer Enterprises Ltd, <https://www.thepod.ca/>: 2 pages.
 Photos of Known Camera Mount Products. Dates of introduction unknown.
 Foba Base Plate for Tripod Heads, https://www.bhphotovideo.com/c/product/17972-REG/Foba_BALGO_Base_Plate.html, Nov. 25, 2008.
 Manfrotto 241 B Pump Cup with Flat Base—for Lightweight Equipment, <https://www.bhphotovideo.com> (review dated Dec. 10, 2016).
 PANAVISE NoSKID DashMount—Weighted Dashboard Mount, <https://www.bhphotovideo.com> (review dated Aug. 3, 2016).
 ECKLASPHERE Swing Tripod, <http://www.eckla.de/en/ecklasphere-swing-tripod.html>, (www.archive.org date of Dec. 13, 2016).
 International Search Report (PCT/US2018/016542) dated Jun. 5, 2018 2018.

* cited by examiner

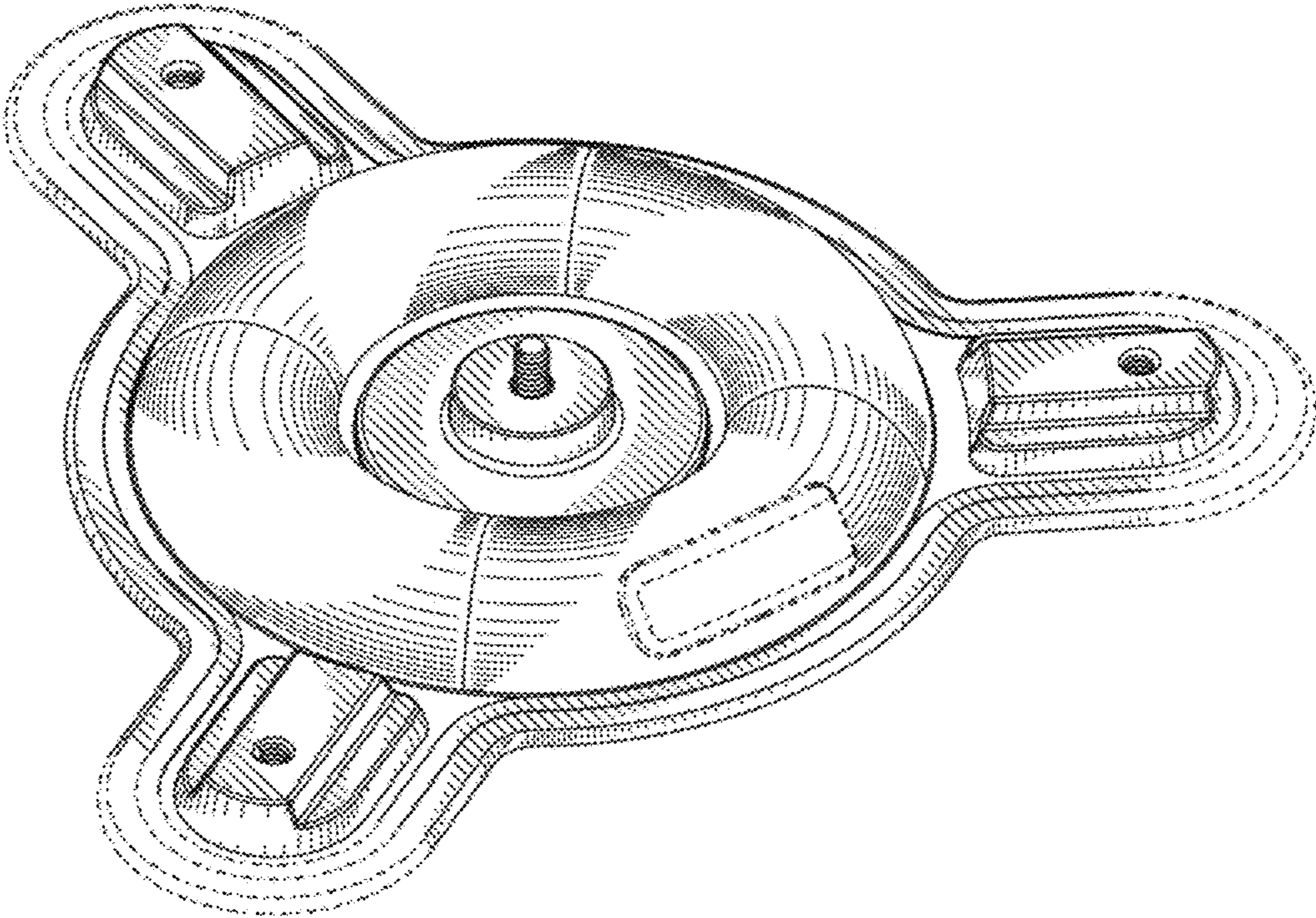


FIG. 1

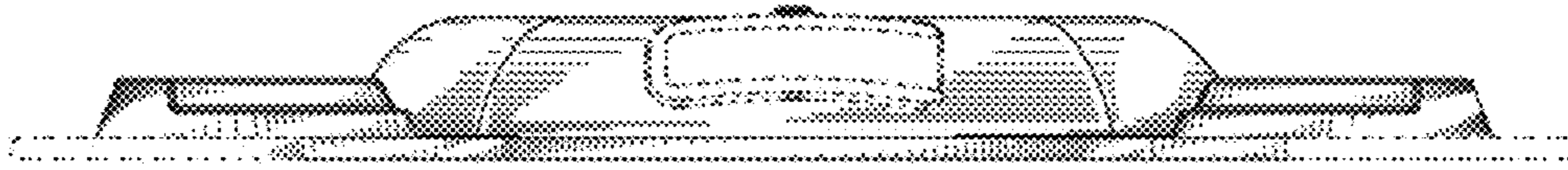


FIG. 2

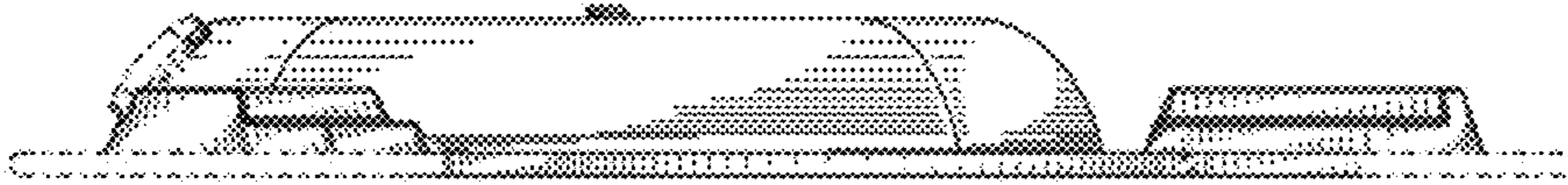


FIG. 3



FIG. 4

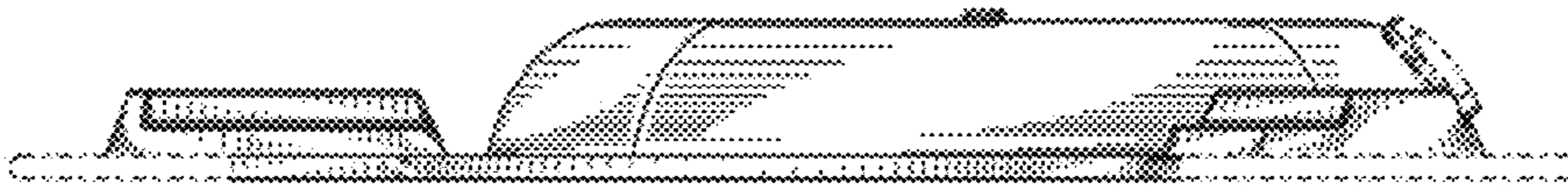


FIG. 5

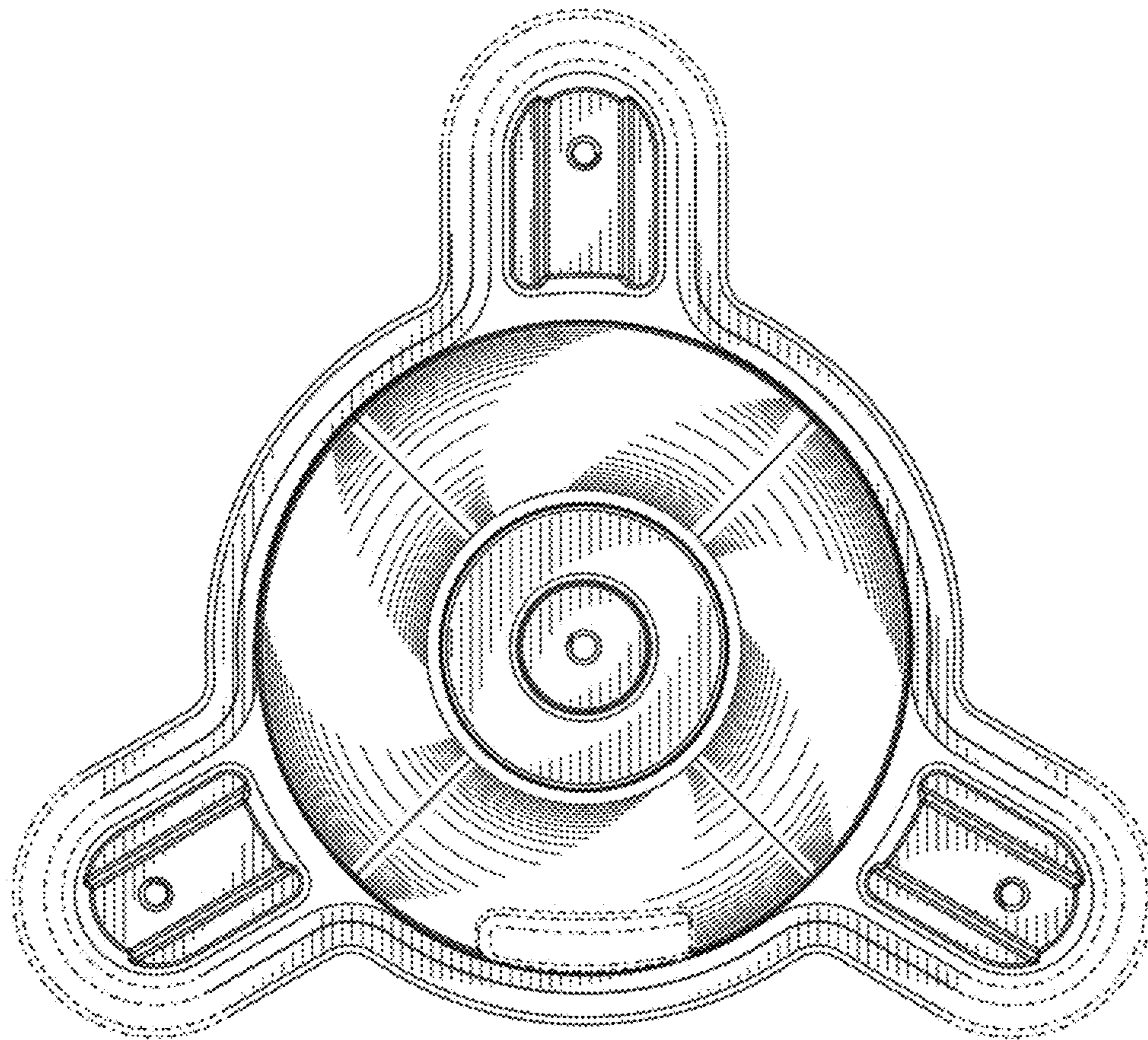


FIG. 6