



US00D897413S

(12) **United States Design Patent** (10) **Patent No.:** **US D897,413 S**
Crandall et al. (45) **Date of Patent:** **** *Sep. 29, 2020**

(54) **WIRELESS SECURITY CAMERA BASE STATION**

(71) Applicant: **Arlo Technologies, Inc.**, Carlsbad, CA (US)

(72) Inventors: **Kent Garwain Crandall**, Carlsbad, CA (US); **James Hathway**, Delta (CA)

(73) Assignee: **Arlo Technologies, Inc.**, Carlsbad, CA (US)

(*) Notice: This patent is subject to a terminal disclaimer.

(**) Term: **15 Years**

(21) Appl. No.: **29/676,849**

(22) Filed: **Jan. 15, 2019**

(51) **LOC (12) Cl.** **16-05**

(52) **U.S. Cl.**
USPC **D16/237**

(58) **Field of Classification Search**
USPC D16/219, 237-250; D8/354, 355, 363, D8/373, 382-383, 394-396; D14/224, D14/229, 238, 251, 253, 356, 447, 451, D14/457
CPC A45F 5/00; A45F 5/10; A45F 2200/0508-0533; F16M 11/06-10; F16M 11/14; G02B 7/00-002; G03B 17/56; G03B 17/561-568; H04N 5/2253-2254
See application file for complete search history.

(56) **References Cited**

U.S. PATENT DOCUMENTS

- 912,658 A * 2/1909 Falk B65D 85/1036 206/267
- 1,246,932 A * 11/1917 James B65D 5/6697 229/125.08
- 1,935,840 A * 11/1933 Fitzgerald A24F 23/02 206/267

- D141,980 S * 8/1945 Holland et al. D3/274
- 2,387,392 A * 10/1945 Hennessey A24F 23/02 493/102
- 4,441,610 A * 4/1984 Cavalcante A45C 11/24 206/361
- D301,771 S * 6/1989 Bakic D28/76
- D309,728 S * 8/1990 Nuttall D14/356
- D345,304 S * 3/1994 Leader D9/418
- D464,884 S * 10/2002 Sumpmann D9/432

(Continued)

OTHER PUBLICATIONS

What is the difference between each Arlo SmartHub and base station? [online] Retrieved Feb. 18, 2020 from URL: https://kb.arlo.com/000062284/What-is-the-difference-between-each-Arlo-SmartHub-and-base-station.*

(Continued)

Primary Examiner — Vy N Koenig

(74) Attorney, Agent, or Firm — Boyle Fredrickson S.C.

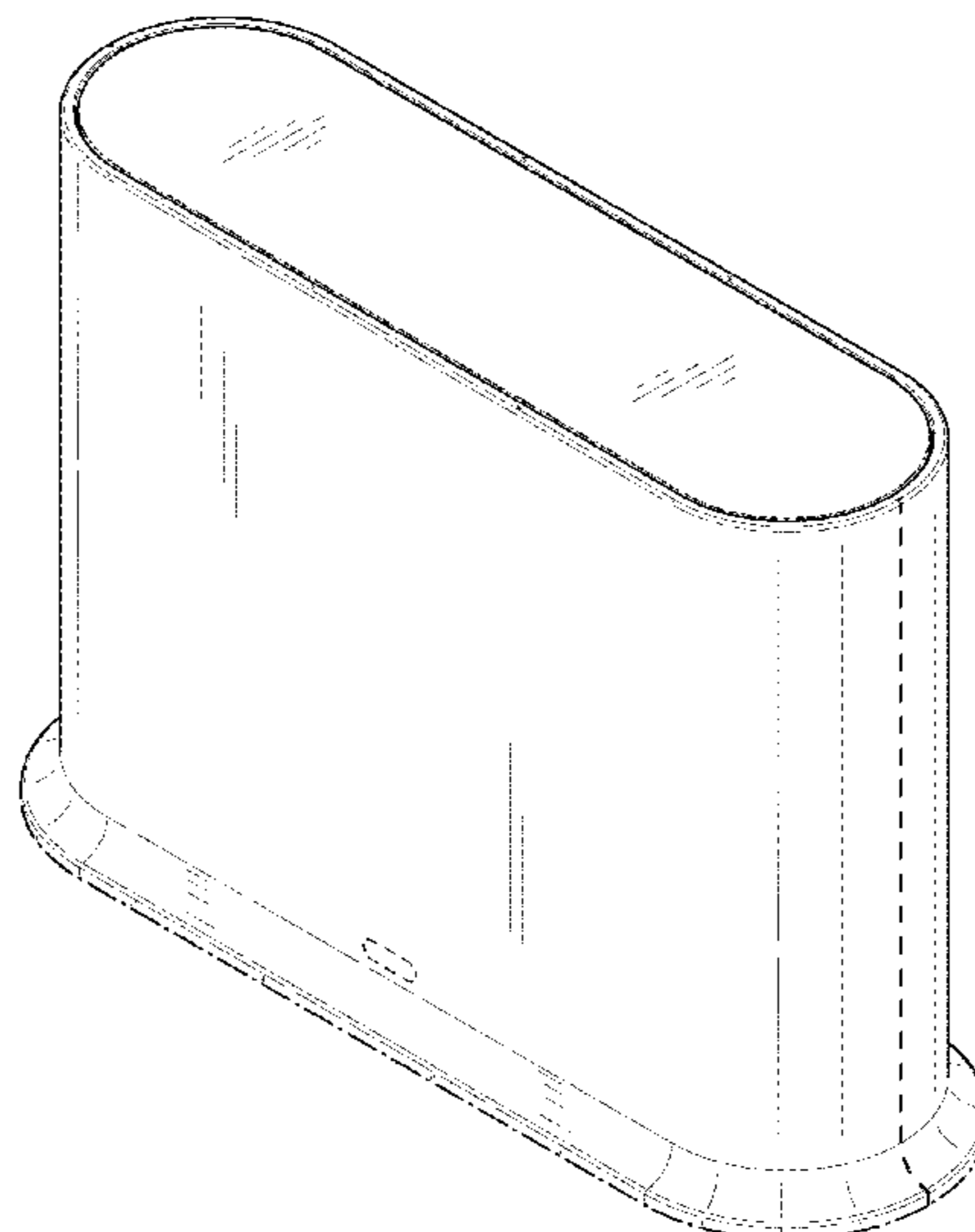
(57) **CLAIM**

The ornamental design for a wireless security camera base station, as shown and described.

DESCRIPTION

FIG. 1 is a top, front, right side perspective view of a wireless security camera base station showing our new design;
FIG. 2 is a front elevation view thereof;
FIG. 3 is a rear elevation view thereof;
FIG. 4 is a right-side elevation view thereof;
FIG. 5 is a left-side elevation view thereof;
FIG. 6 is a top plan view thereof; and,
FIG. 7 is a bottom plan view thereof.
The evenly dashed broken lines in FIGS. 1-7 represent portions of the wireless security camera base station that form no part of the claimed design. The dash-dot broken lines represent boundaries of the claim and form no part of the claimed design.

1 Claim, 7 Drawing Sheets



(56)

References Cited

U.S. PATENT DOCUMENTS

D520,502 S *	5/2006	Xu	D14/356
D568,310 S *	5/2008	Franck	D14/240
D630,941 S *	1/2011	Paredes	D9/430
D677,623 S *	3/2013	Fitch	D13/108
D706,778 S *	6/2014	Kawasaki	D14/356
D743,395 S *	11/2015	Chen	D14/385
D792,409 S *	7/2017	Shim	D14/435
D796,571 S *	9/2017	Minn	D16/242
D837,790 S *	1/2019	Wu	D14/435

OTHER PUBLICATIONS

U.S. Design Patent Application for Wireless Security System Base Station, Filed Jan. 15, 2019.

* cited by examiner

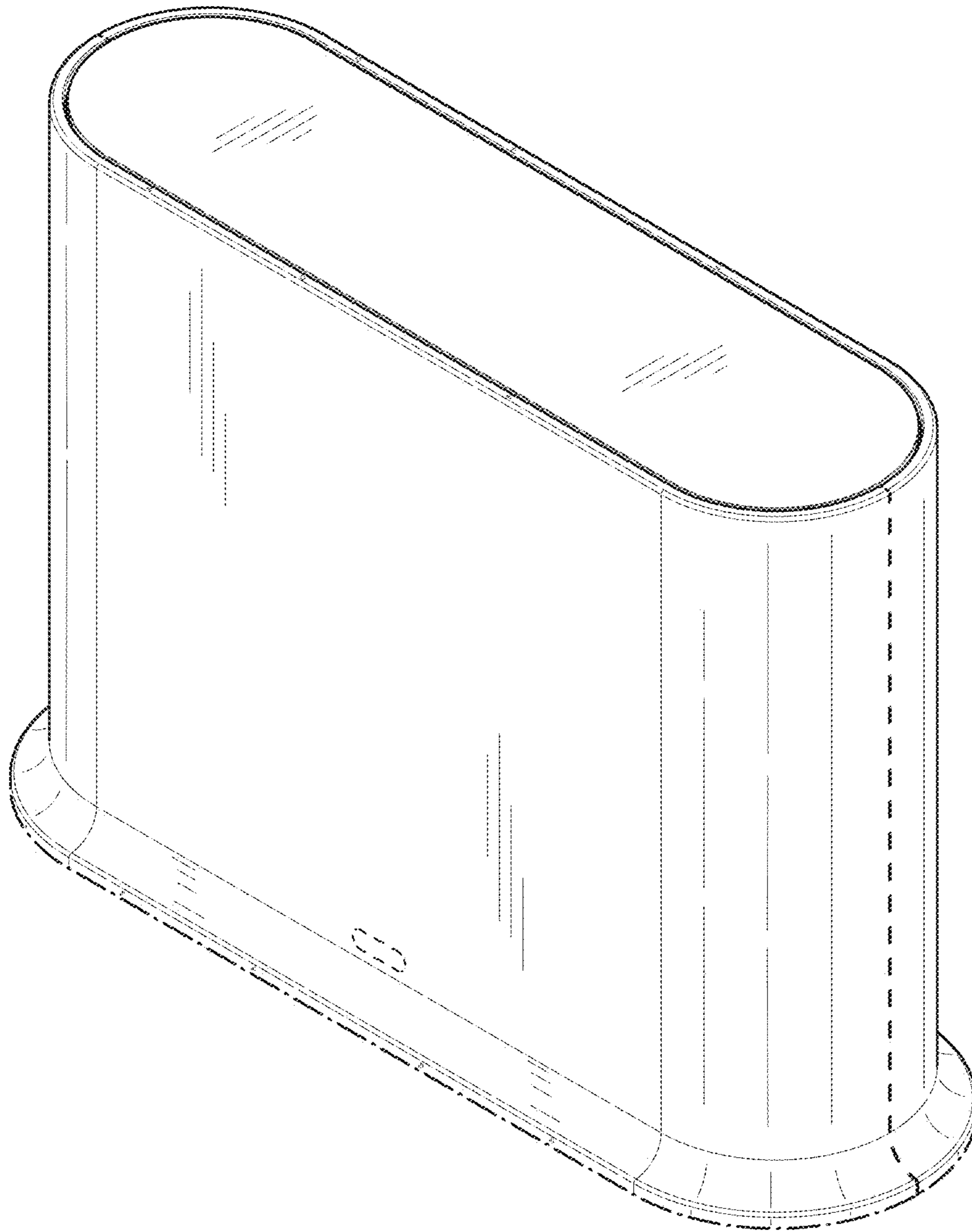


FIG. 1

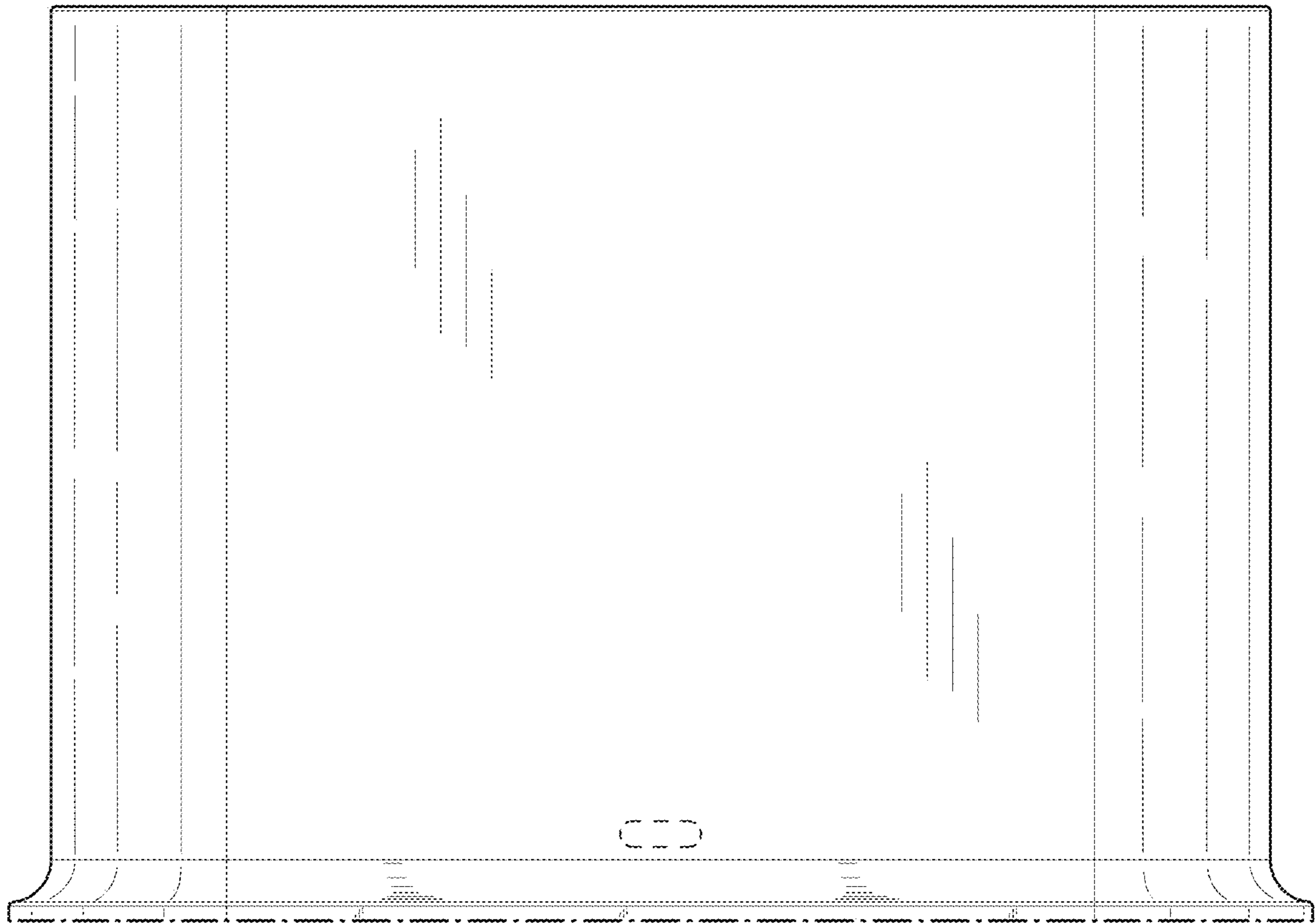


FIG. 2

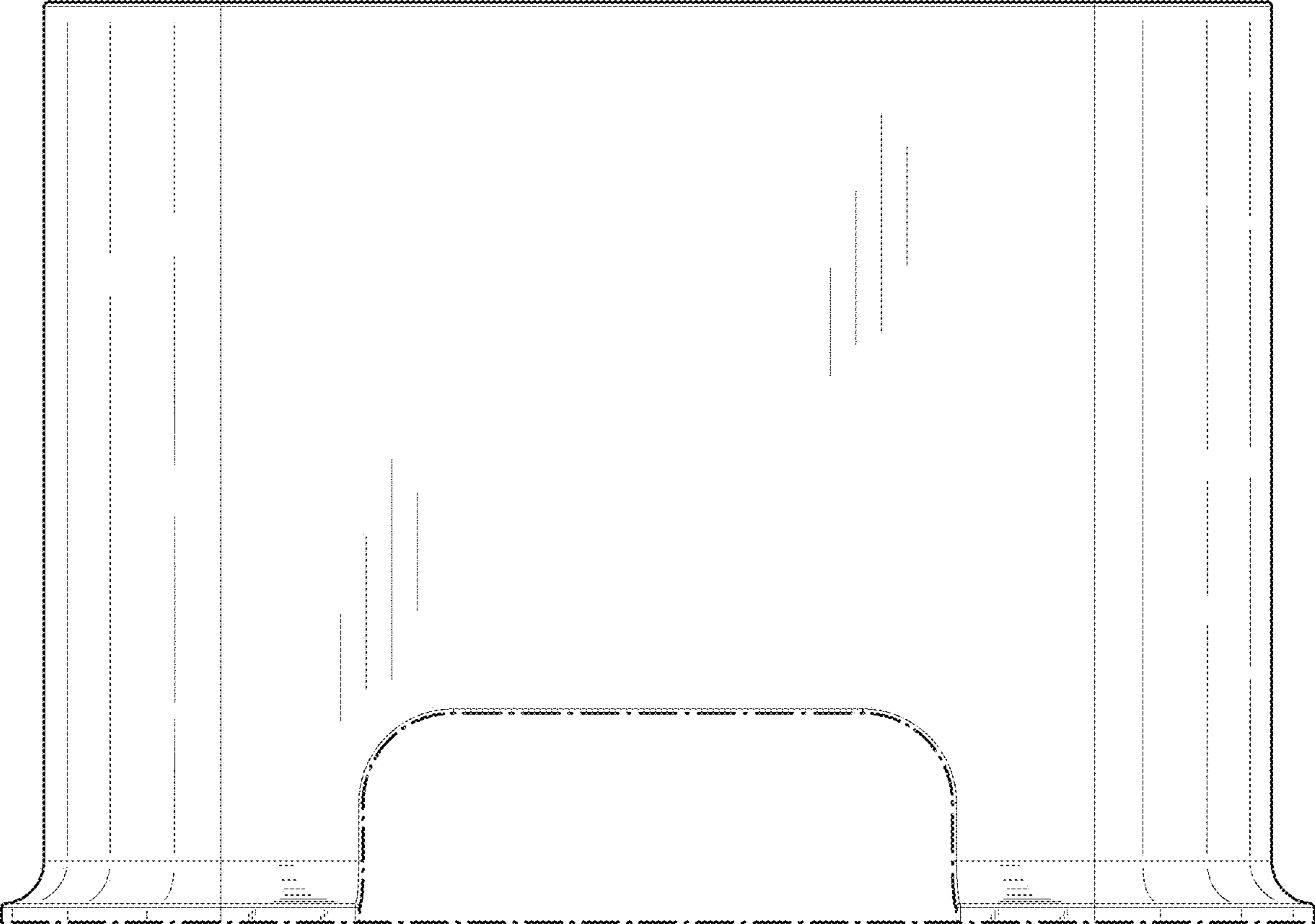


FIG. 3

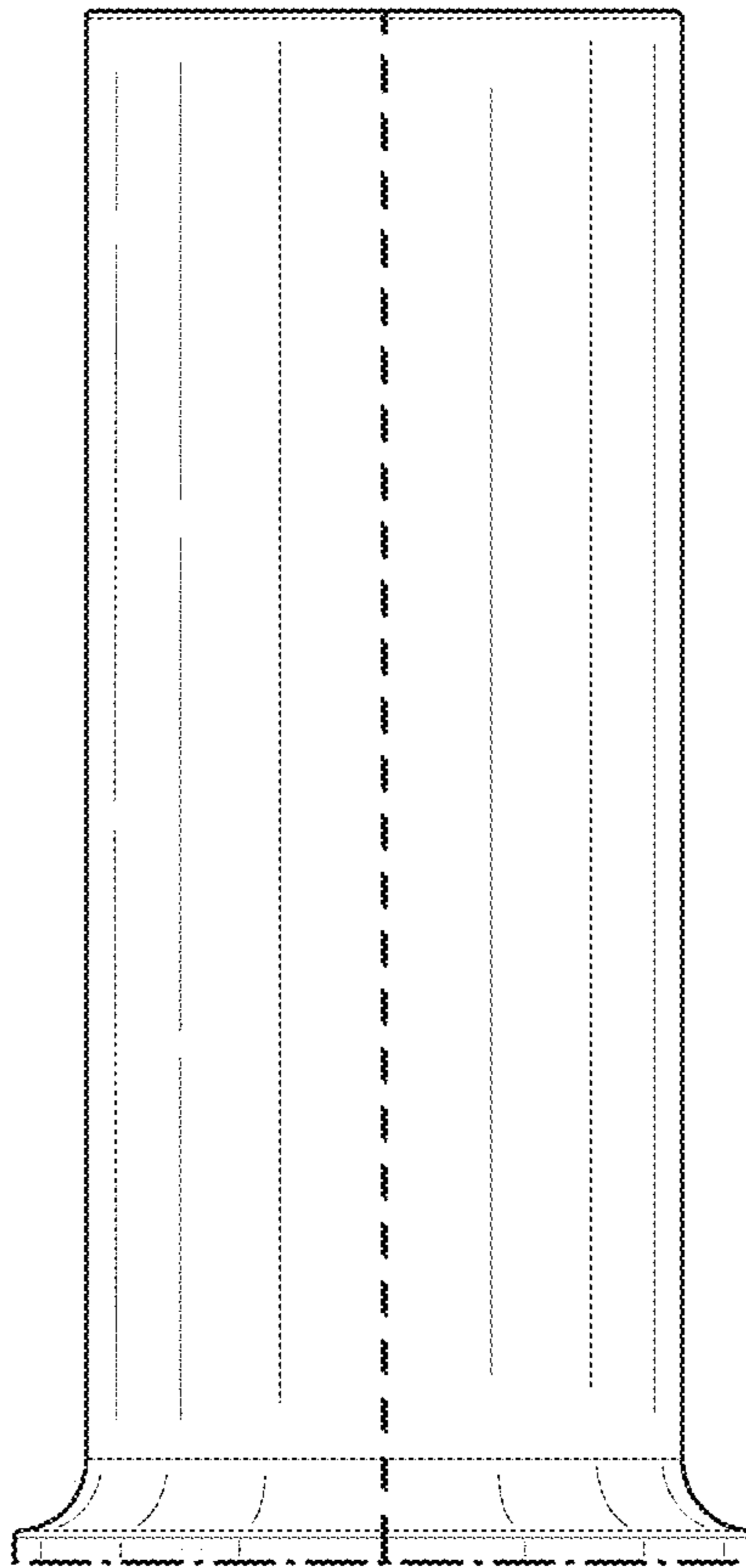


FIG. 4

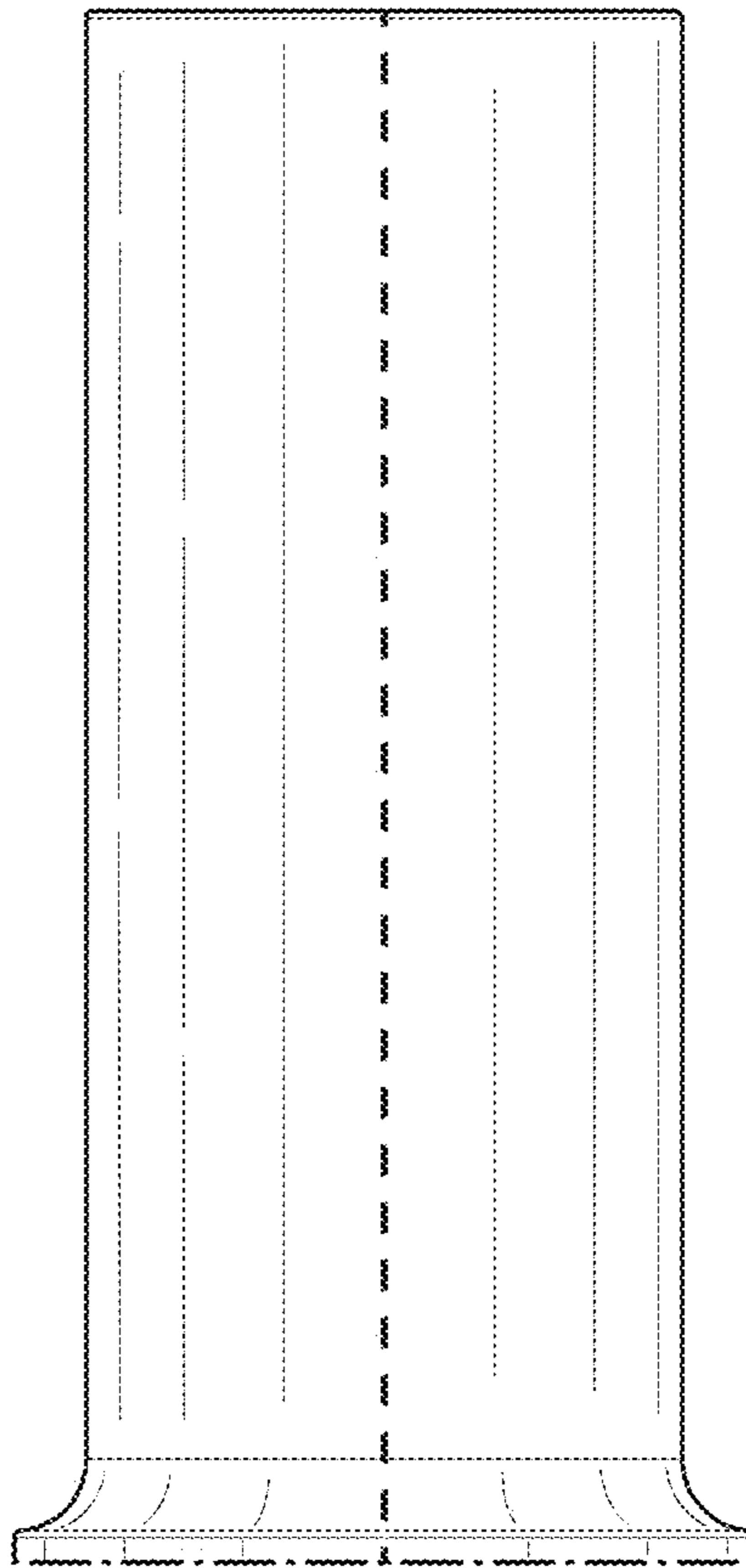


FIG. 5

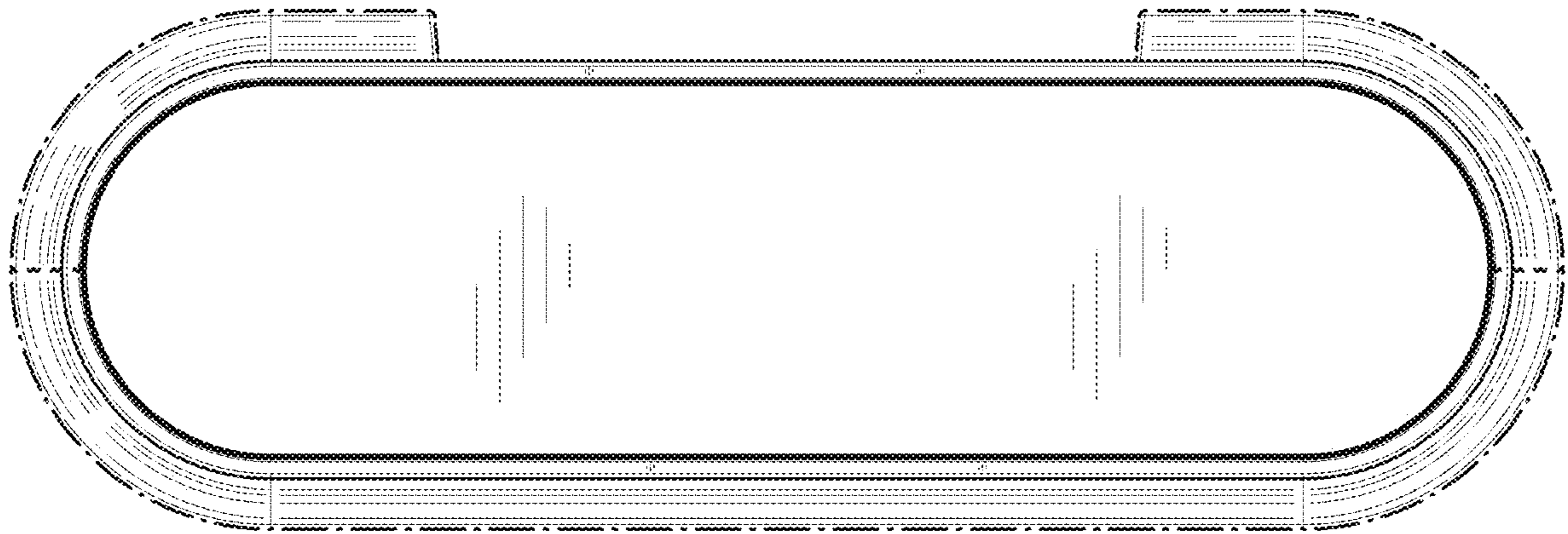


FIG. 6



FIG. 7