



US00D897412S

(12) **United States Design Patent**  
**Tschida**

(10) **Patent No.:** **US D897,412 S**

(45) **Date of Patent:** **\*\* \*Sep. 29, 2020**

(54) **REMOTE CONTROL FOR CAMERAS**

(71) Applicant: **emotion GmbH**, Vienna (AT)

(72) Inventor: **Christian Tschida**, Vienna (AT)

(73) Assignee: **emotion GmbH**, Vienna (AT)

(\*) Notice: This patent is subject to a terminal disclaimer.

(\*\*) Term: **15 Years**

(21) Appl. No.: **29/640,461**

(22) Filed: **Mar. 14, 2018**

(30) **Foreign Application Priority Data**

Sep. 14, 2017 (EM) ..... 004353175-0003

(51) **LOC (12) Cl.** ..... **16-05**

(52) **U.S. Cl.**  
USPC ..... **D16/237**

(58) **Field of Classification Search**  
USPC ..... D16/219, 237-250; D14/218, 224, 229,  
D14/238, 251, 253; D8/354, 355, 363,  
D8/373, 382-383, 394-396  
CPC ..... F16M 11/06-10; F16M 11/14; G02B  
7/00-002; G03B 17/56; G03B  
17/561-568; H04N 5/2253-2254; A45F  
2200/0508-0533; A45F 5/00; A45F 5/10  
See application file for complete search history.

(56) **References Cited**

**U.S. PATENT DOCUMENTS**

D366,262 S \* 1/1996 Inaba ..... D10/104.1  
D405,796 S \* 2/1999 Uehara ..... D14/218

D413,580 S \* 9/1999 Zuege ..... D13/168  
D453,104 S \* 1/2002 Liu ..... D8/382  
D496,031 S \* 9/2004 Ma ..... D10/104.1  
D496,653 S \* 9/2004 Townsend ..... D14/240  
D674,322 S \* 1/2013 Hilgart ..... D12/114  
D751,060 S \* 3/2016 Cooper ..... D14/251  
D763,673 S \* 8/2016 Moreau ..... D8/395  
D767,555 S \* 9/2016 Lee ..... D14/253  
D819,015 S \* 5/2018 Lee ..... D14/253  
D823,283 S \* 7/2018 Sunwoo ..... D14/229  
2014/0061270 A1 \* 3/2014 Richter ..... B62J 11/00  
224/420

\* cited by examiner

*Primary Examiner* — Vy N Koenig

(74) *Attorney, Agent, or Firm* — Jonathan Kidney;  
Intelink Law Group PC

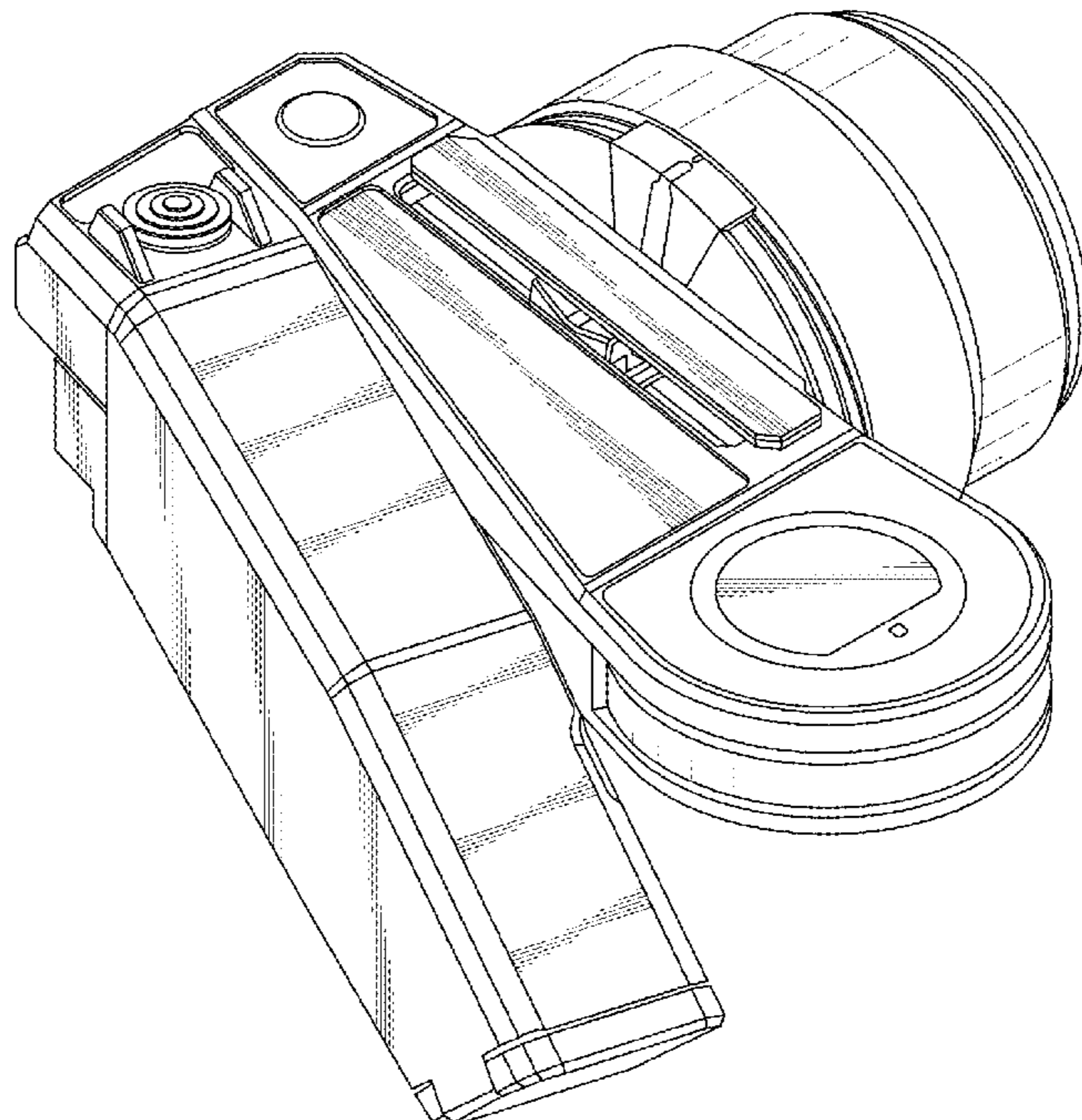
(57) **CLAIM**

The ornamental design for a remote control for cameras, as shown and described.

**DESCRIPTION**

FIG. 1 is a top view of a remote control for cameras showing my new design;  
FIG. 2 is a rear view thereof;  
FIG. 3 is a left view thereof;  
FIG. 4 is a bottom view thereof;  
FIG. 5 is a right view thereof;  
FIG. 6 is a front view thereof; and,  
FIG. 7 is a top right perspective view thereof.  
The broken lines in the drawings depict portions of the remote control for cameras that form no part of the claimed design.

**1 Claim, 7 Drawing Sheets**



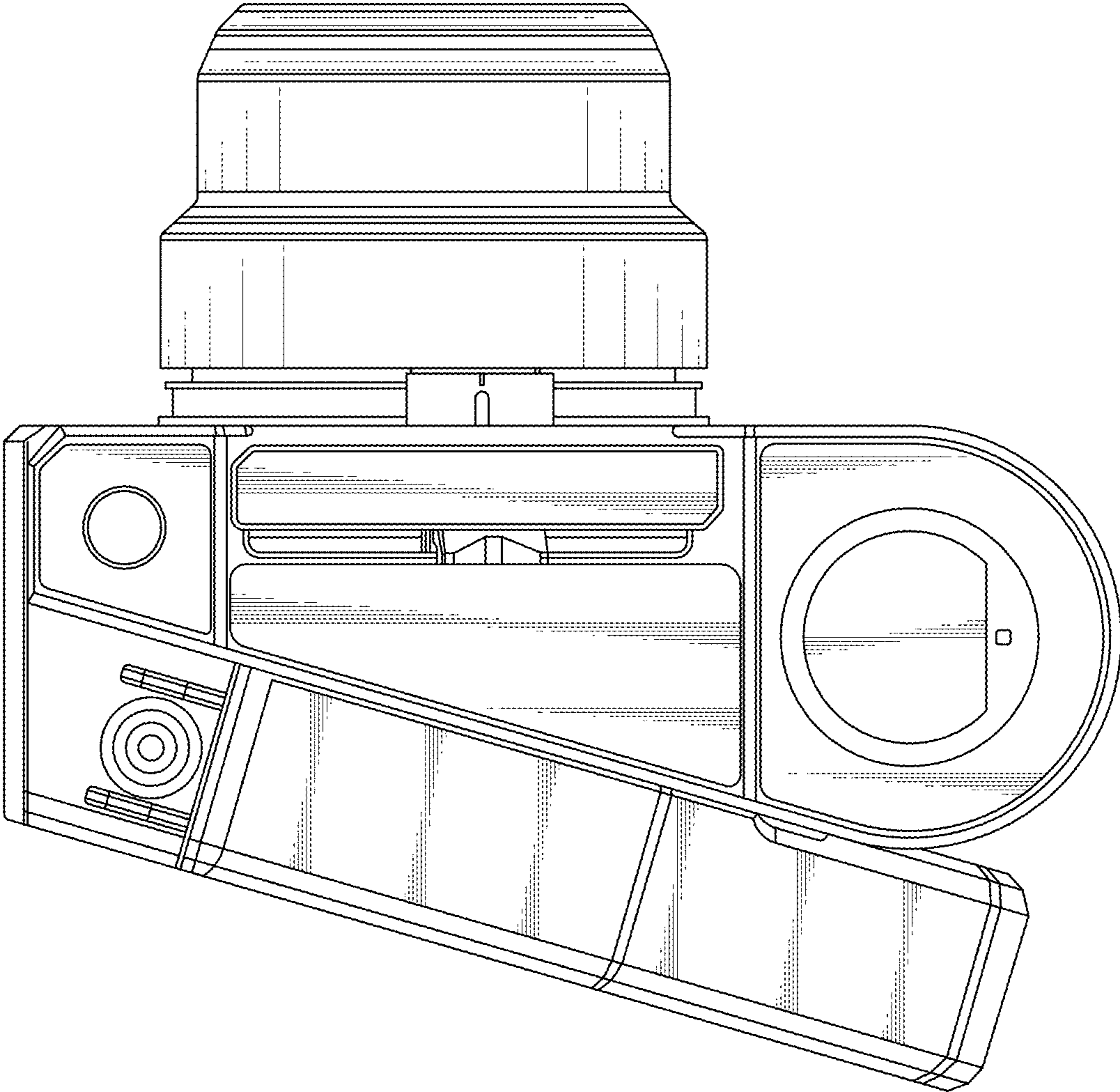


FIG. 1

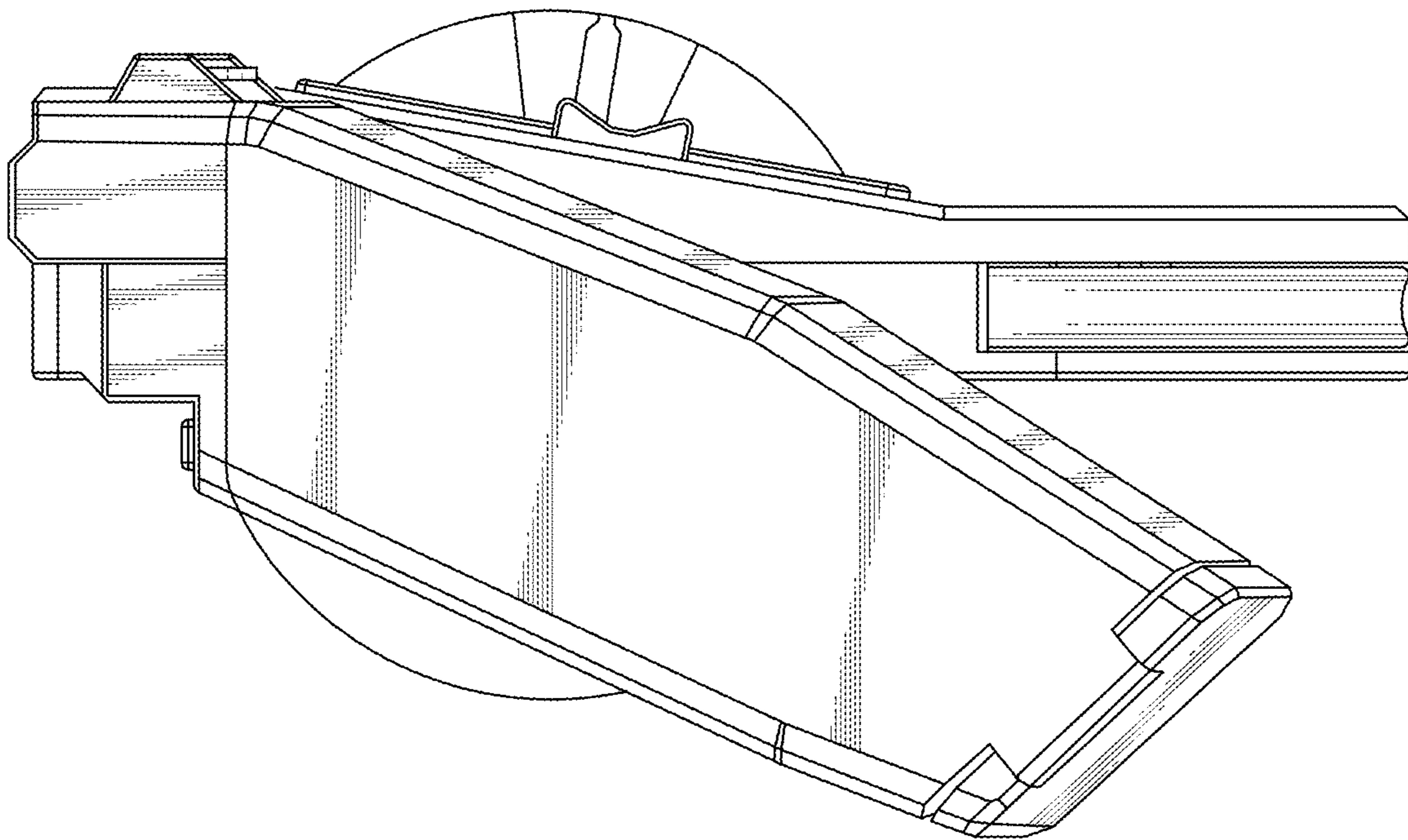


FIG. 2

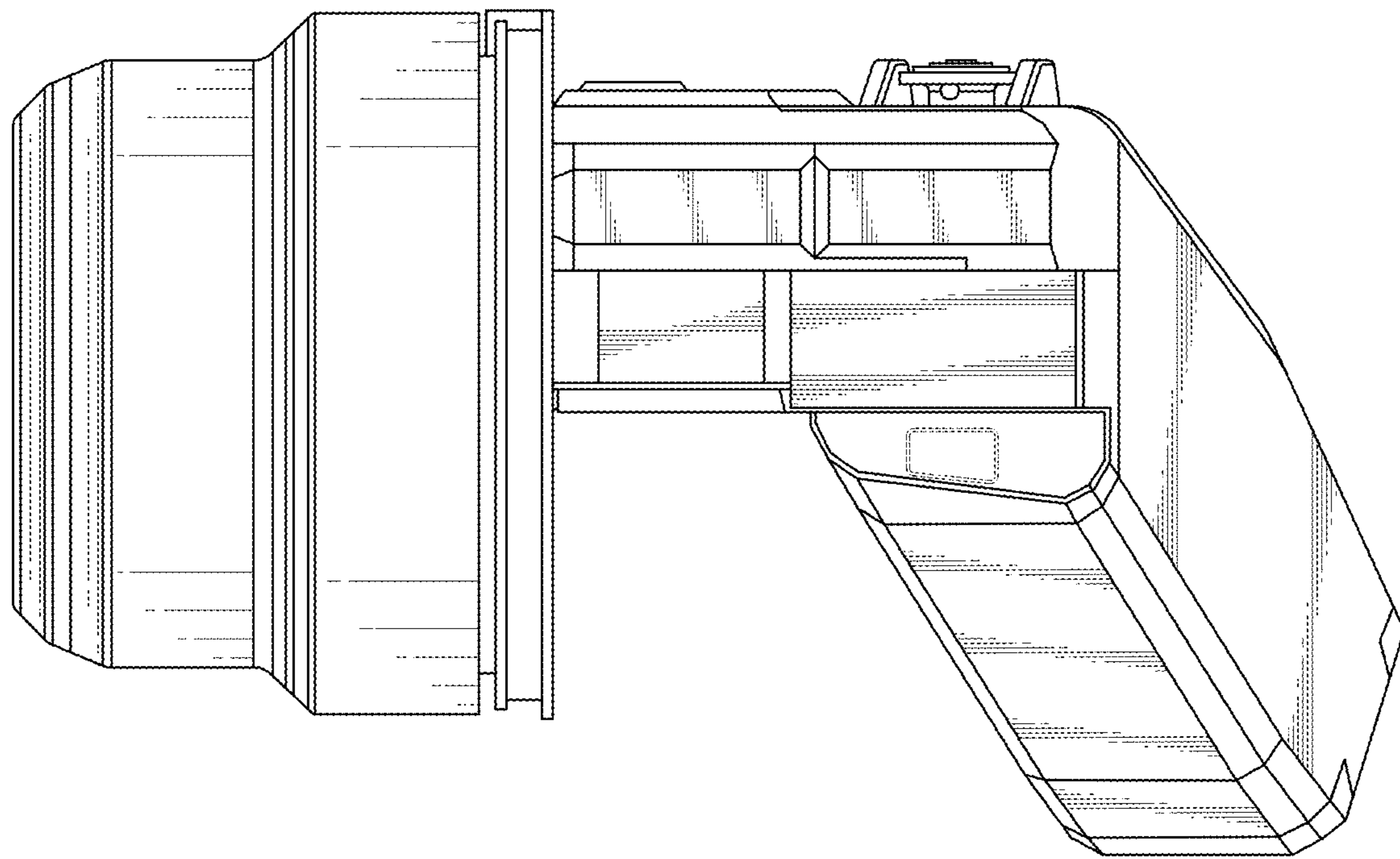


FIG. 3

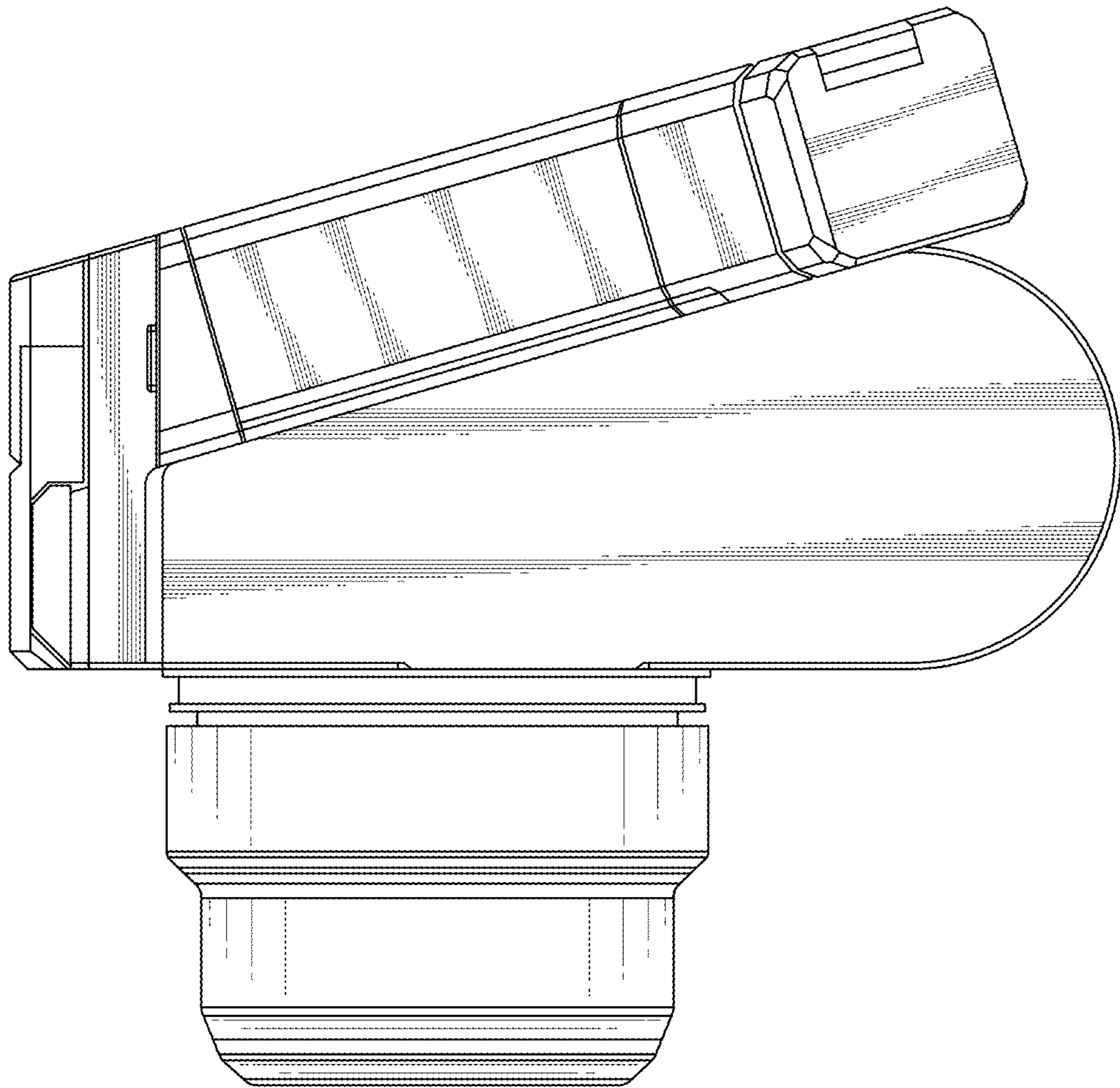


FIG. 4

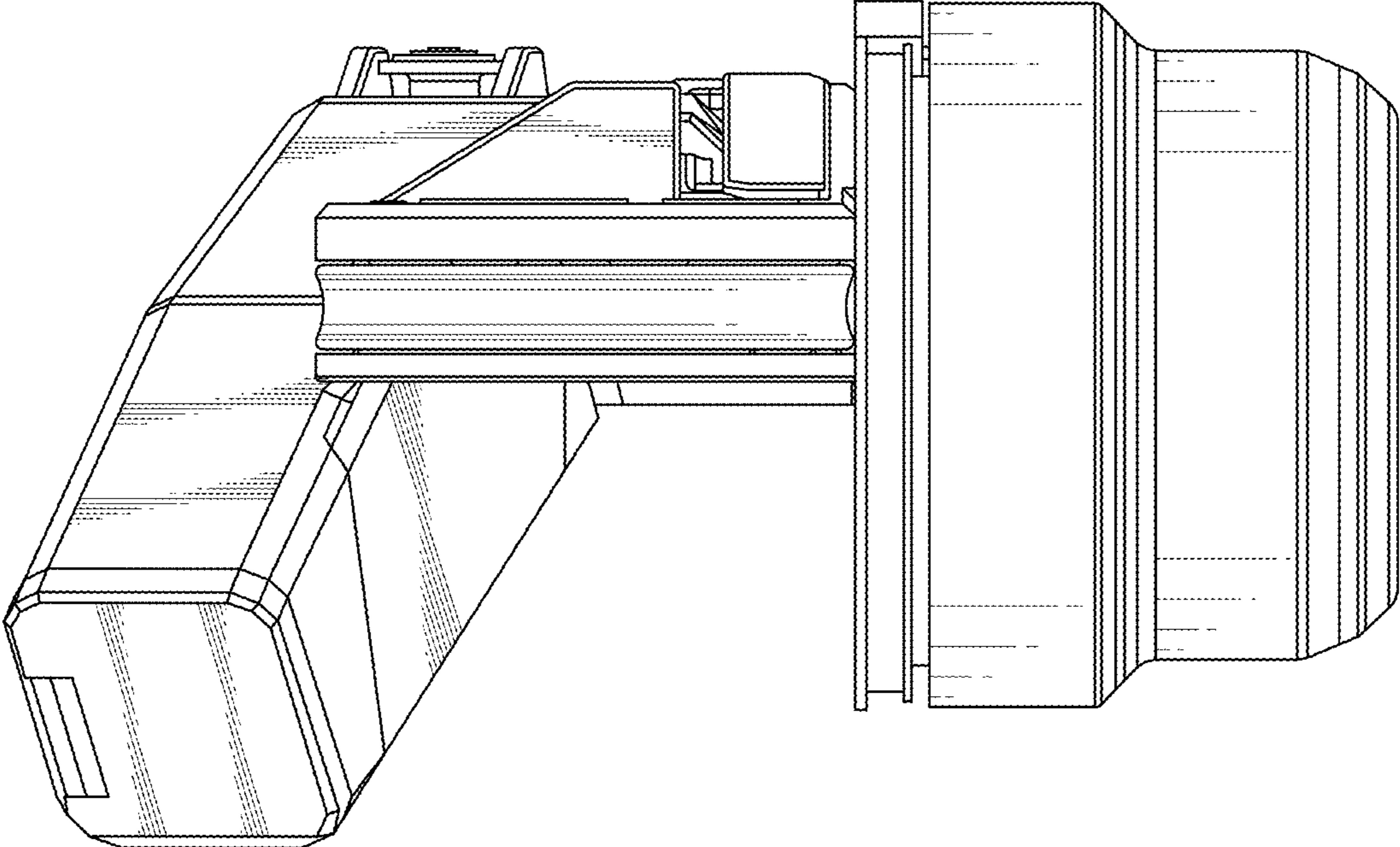


FIG. 5

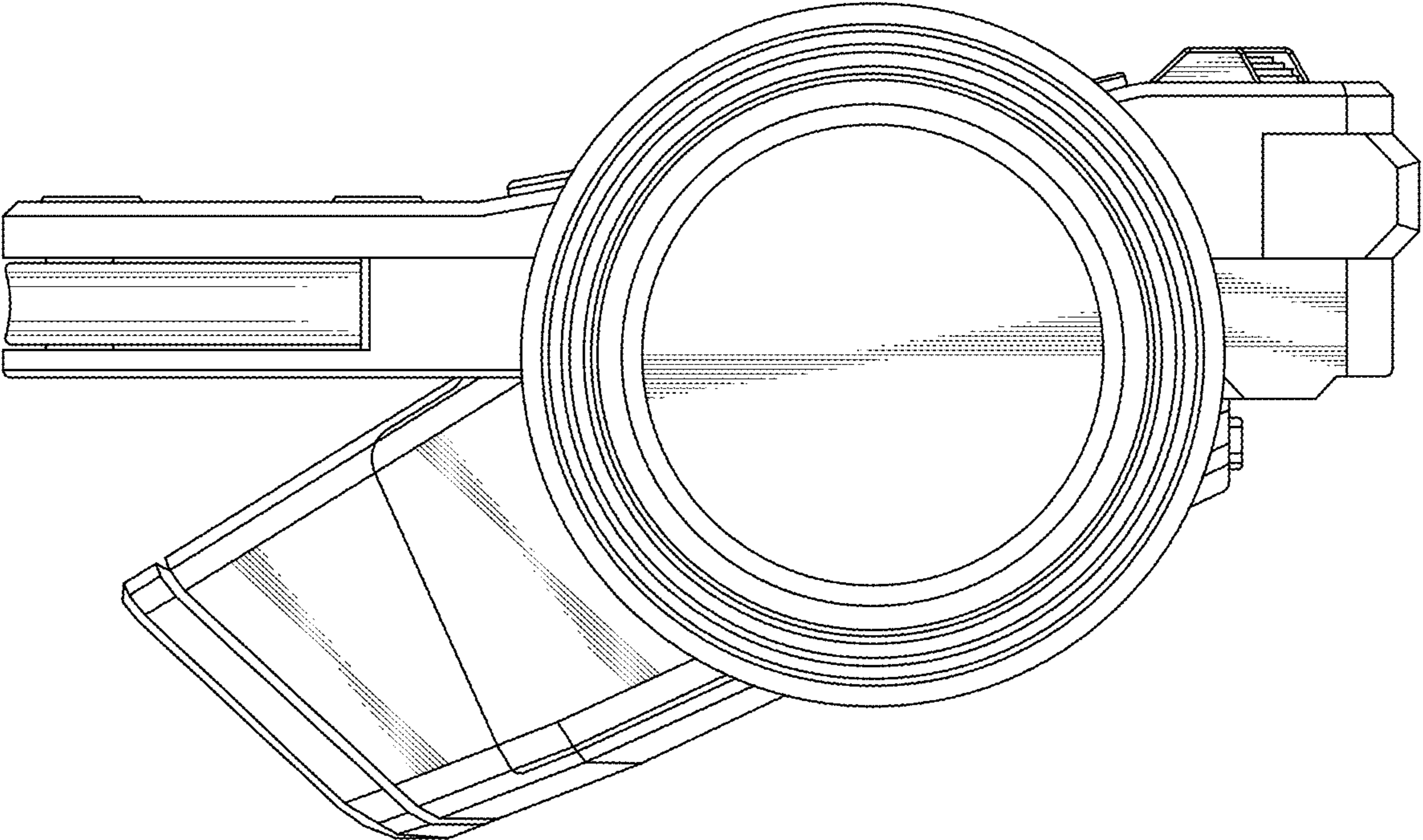


FIG. 6

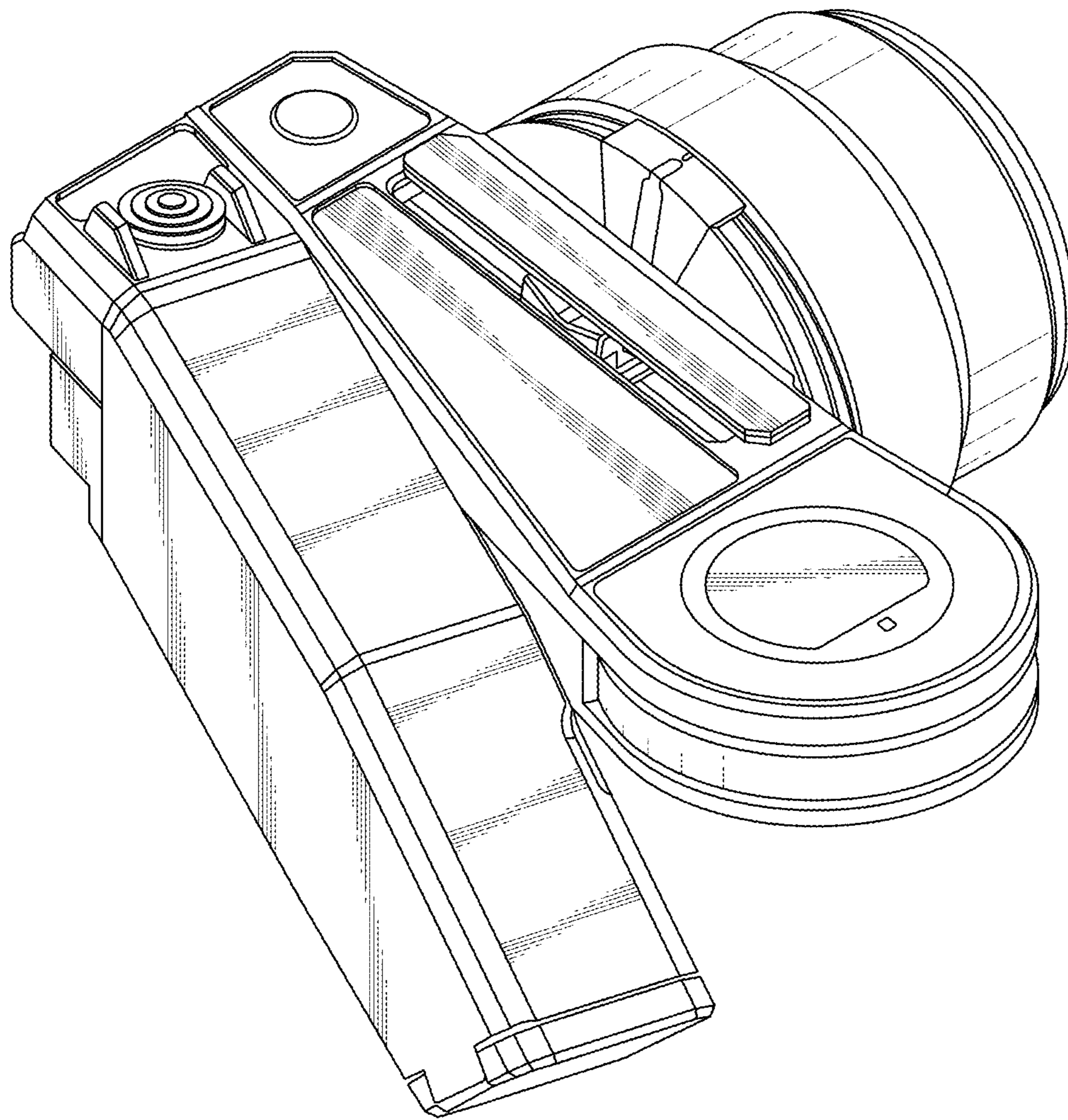


FIG. 7