



US00D897410S

(12) **United States Design Patent** (10) **Patent No.:** **US D897,410 S**  
**Sakai** (45) **Date of Patent:** **\*\* Sep. 29, 2020**

(54) **PROJECTOR**

**DESCRIPTION**

(71) Applicant: **FUJIFILM Corporation**, Tokyo (JP)  
(72) Inventor: **Hiroyuki Sakai**, Saitama (JP)  
(73) Assignee: **FUJIFILM Corporation**, Tokyo (JP)  
(\*\*) Term: **15 Years**  
(21) Appl. No.: **29/663,393**  
(22) Filed: **Sep. 14, 2018**  
(30) **Foreign Application Priority Data**  
Mar. 15, 2018 (JP) ..... 2018-005444  
(51) **LOC (12) Cl.** ..... **16-02**  
(52) **U.S. Cl.**  
USPC ..... **D16/221**  
(58) **Field of Classification Search**  
USPC ..... D16/221, 225, 229-235, 208, 219;  
D21/514; D14/496, 125, 135, 188;  
353/114-115, 119

FIG. 1 is a right perspective view of a projector showing my new design;  
FIG. 2 is a front view thereof;  
FIG. 3 is a rear view thereof;  
FIG. 4 is a top plan view thereof;  
FIG. 5 is a bottom plan view thereof;  
FIG. 6 is a right side view thereof;  
FIG. 7 is a left side view thereof;  
FIG. 8 is a right perspective view of a projector illustrating the situation that a lens body is directed to first direction, showing my new design;  
FIG. 9 is a front view thereof;  
FIG. 10 is a rear view thereof;  
FIG. 11 is a top plan view thereof;  
FIG. 12 is a bottom plan view thereof;  
FIG. 13 is a right side view thereof;  
FIG. 14 is a left side view thereof;  
FIG. 15 is a right perspective view of a projector illustrating the situation that the lens body is directed to second direction, showing my new design;  
FIG. 16 is a front view thereof;  
FIG. 17 is a rear view thereof;  
FIG. 18 is a top plan view thereof;  
FIG. 19 is a bottom plan view thereof;  
FIG. 20 is a right side view thereof;  
FIG. 21 is a left side view thereof;  
FIG. 22 is a right perspective view of a projector illustrating the situation that the lens body is directed to third direction, showing my new design;  
FIG. 23 is a front view thereof;  
FIG. 24 is a rear view thereof;  
FIG. 25 is a top plan view thereof;  
FIG. 26 is a bottom plan view thereof;  
FIG. 27 is a right side view thereof;  
FIG. 28 is a left side view thereof;  
FIG. 29 is a right perspective view of a projector illustrating the situation that the lens body is directed to fourth direction, showing my new design;  
FIG. 30 is a front view thereof;  
FIG. 31 is a rear view thereof;  
FIG. 32 is a top plan view thereof;  
FIG. 33 is a bottom plan view thereof;

(Continued)

(56) **References Cited**

**U.S. PATENT DOCUMENTS**

D565,080 S \* 3/2008 Ishikawa ..... D16/221  
D670,321 S \* 11/2012 Chien ..... D16/221  
(Continued)

**FOREIGN PATENT DOCUMENTS**

JP D1271374 S 5/2006  
JP D1272454 S 6/2006

*Primary Examiner* — Wan Laymon

(74) *Attorney, Agent, or Firm* — Birch, Stewart, Kolasch & Birch, LLP

(57) **CLAIM**

The ornamental design for a projector, as shown and described.

(Continued)

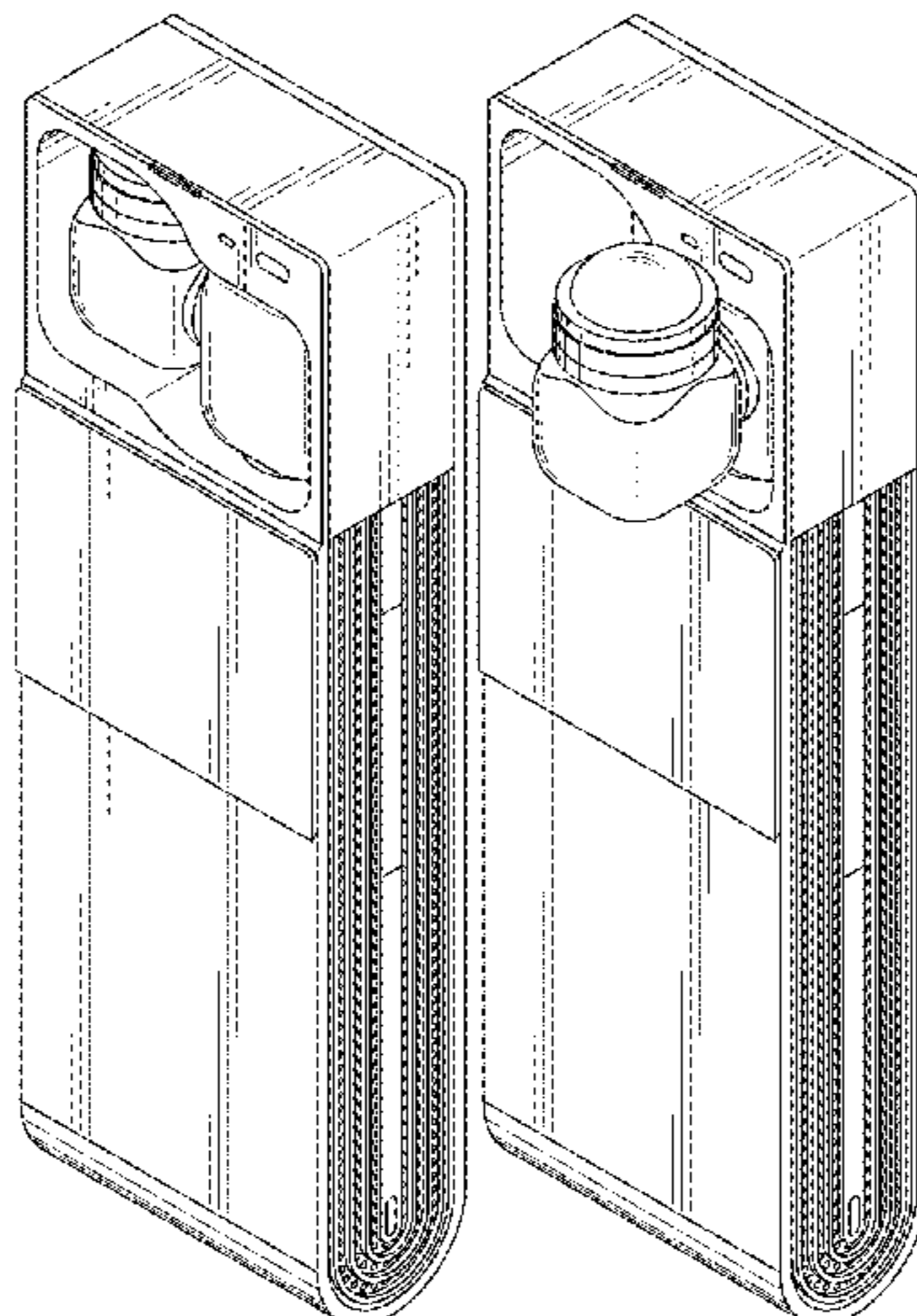


FIG. 34 is a right side view thereof; and,  
FIG. 35 is a left side view thereof.

**1 Claim, 30 Drawing Sheets**

(58) **Field of Classification Search**

CPC .... G03B 21/14; G03B 21/145; G03B 21/001;  
G03B 21/003; G03B 21/12; G03B 21/00

See application file for complete search history.

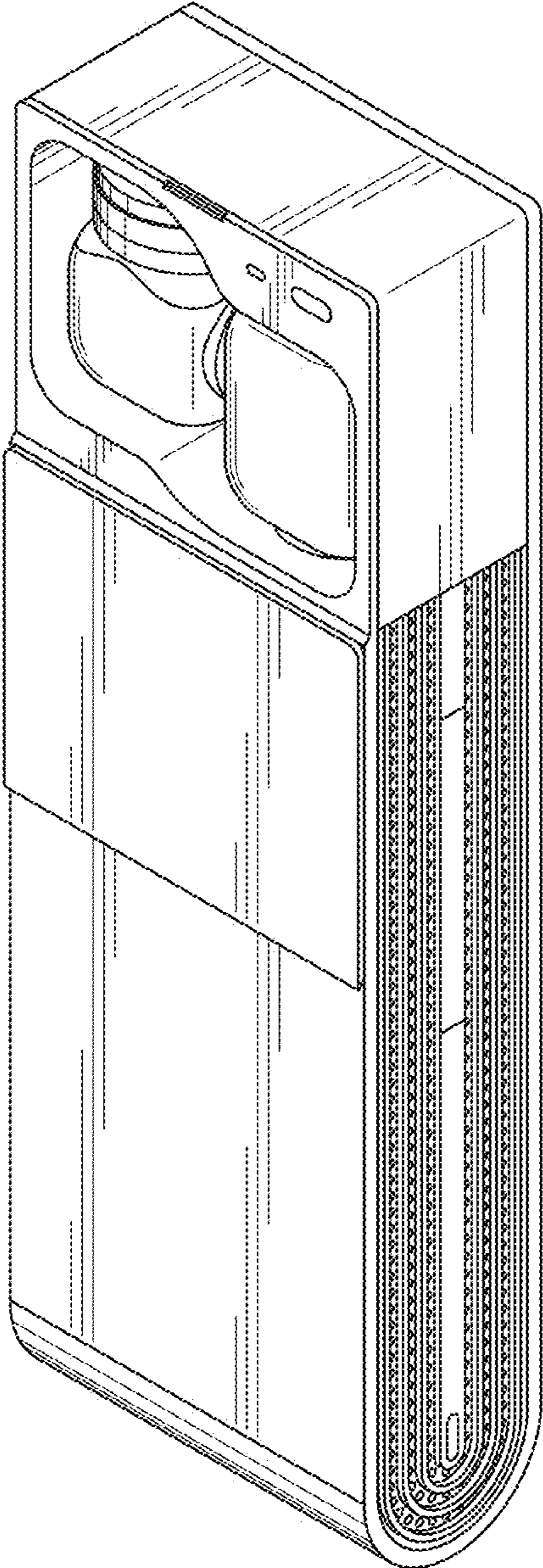
(56) **References Cited**

U.S. PATENT DOCUMENTS

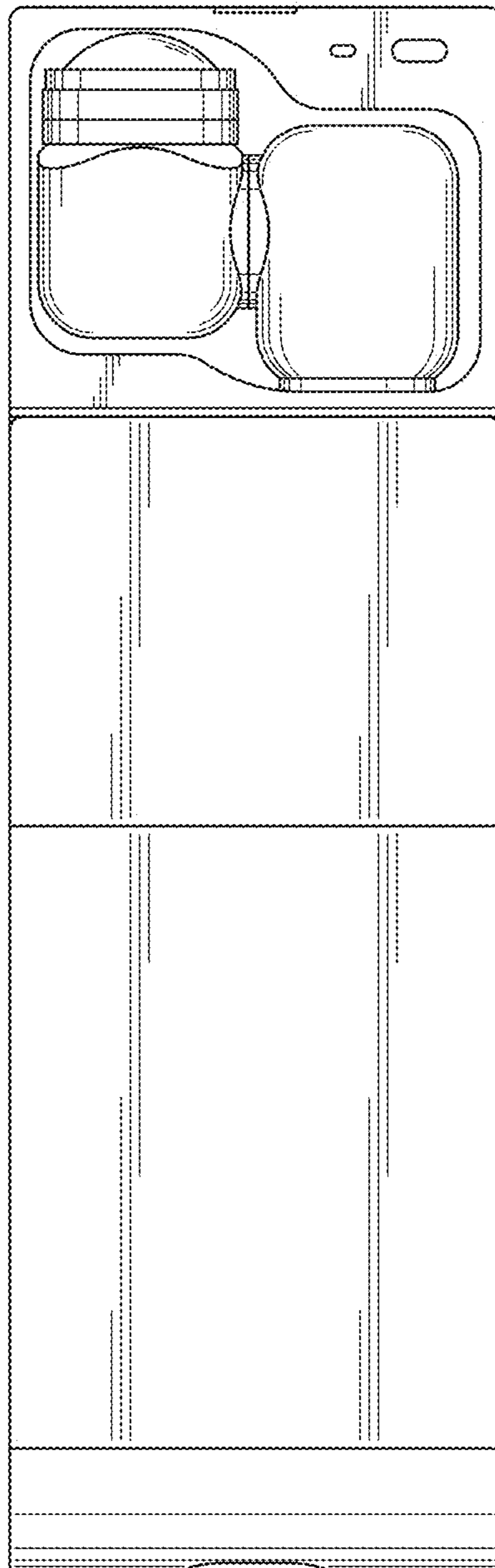
D770,554 S	*	11/2016	Han	.....	D16/225
D781,365 S	*	3/2017	Kim	.....	D16/225
D781,366 S	*	3/2017	Kim	.....	D16/225
D820,899 S	*	6/2018	Shiono	.....	D16/221
D858,613 S	*	9/2019	Cho	.....	D16/221
D871,488 S	*	12/2019	Lee	.....	D16/221

\* cited by examiner

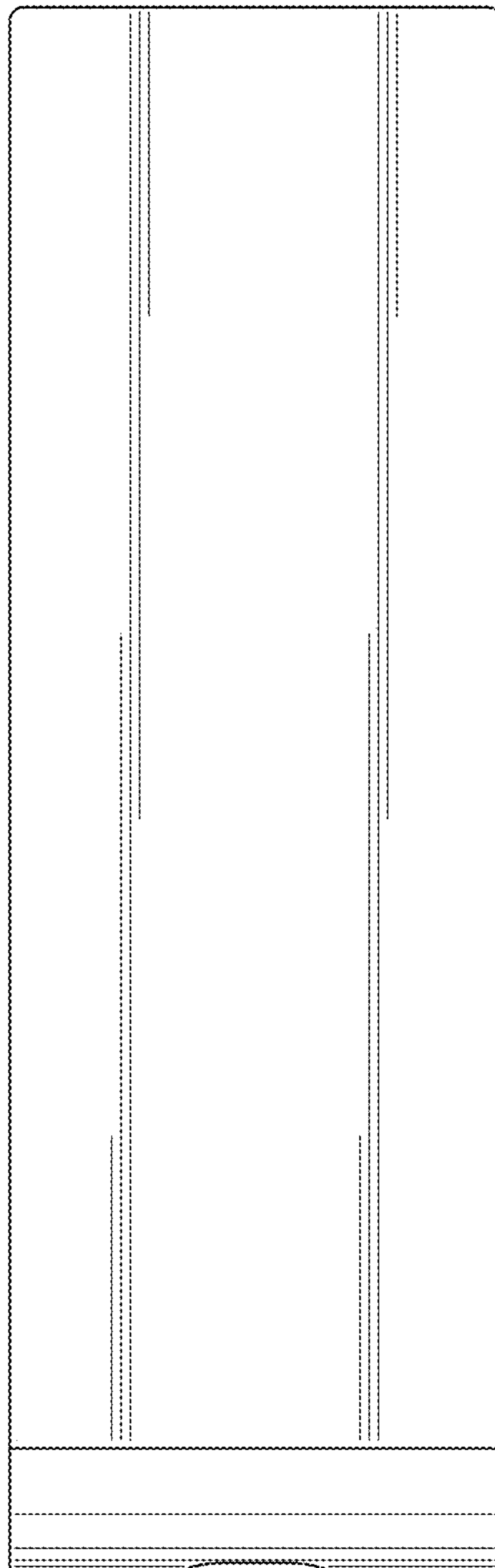
**FIG. 1**



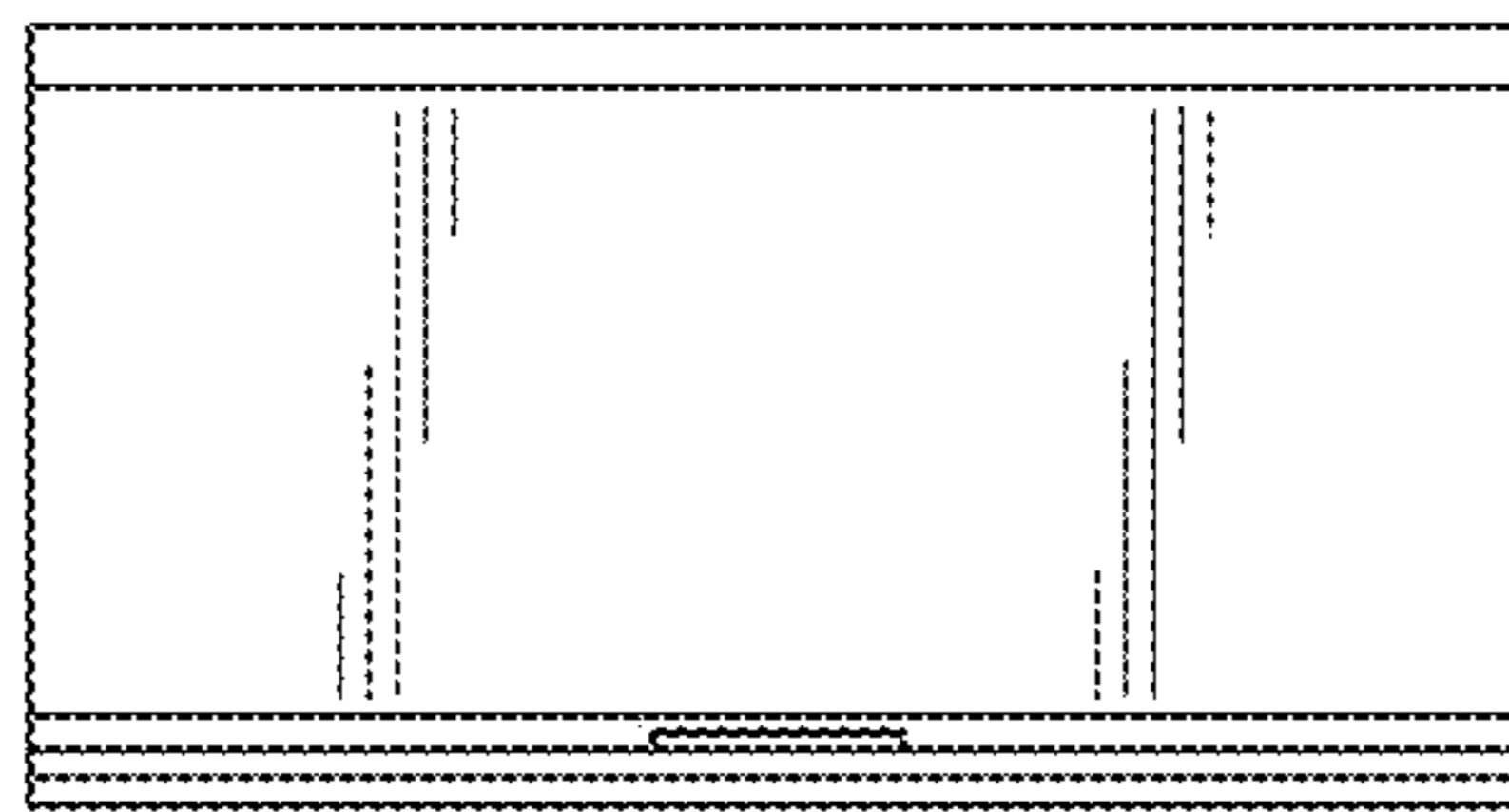
**FIG. 2**



**FIG. 3**



**FIG. 4**



**FIG. 5**

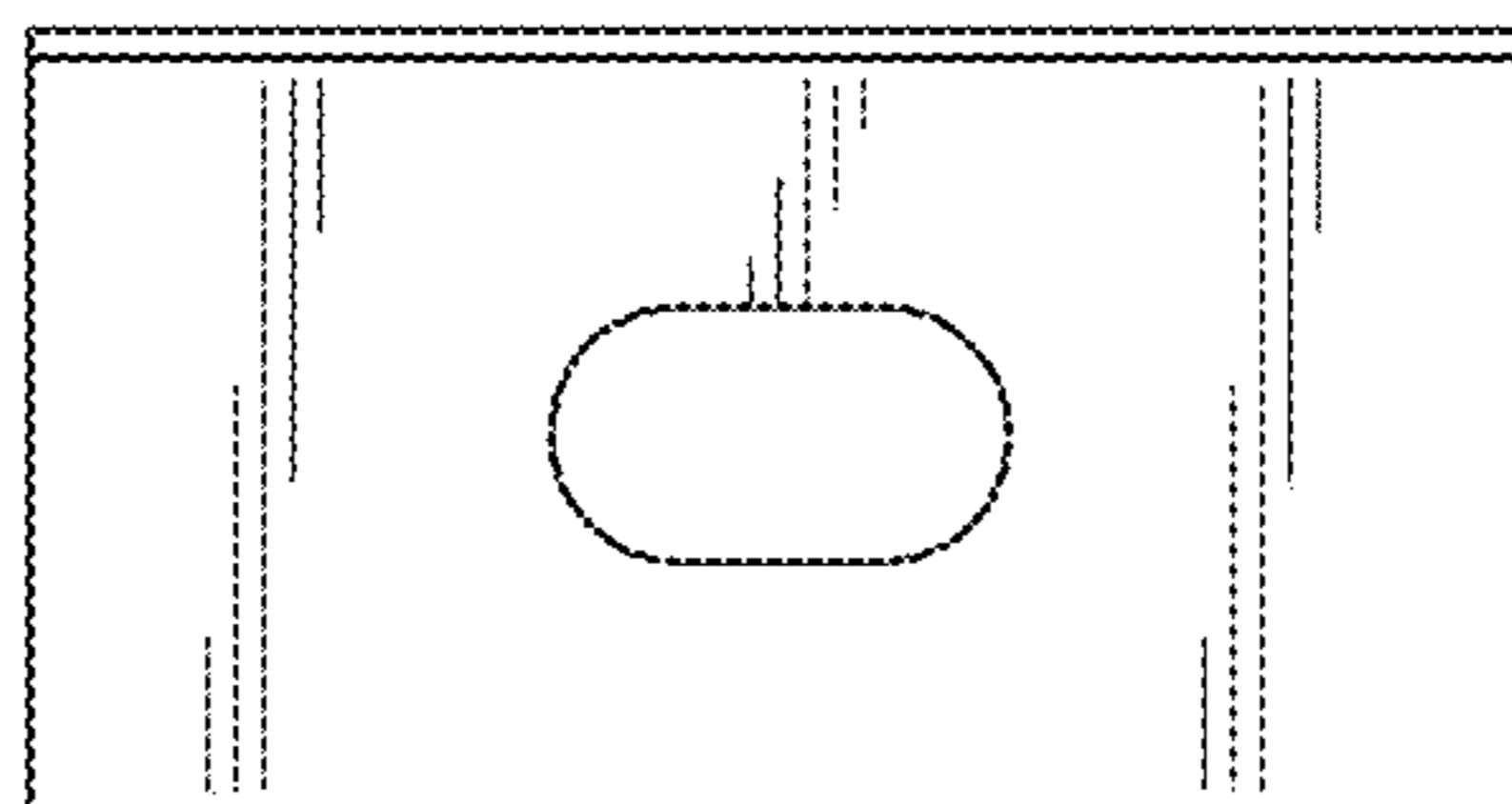
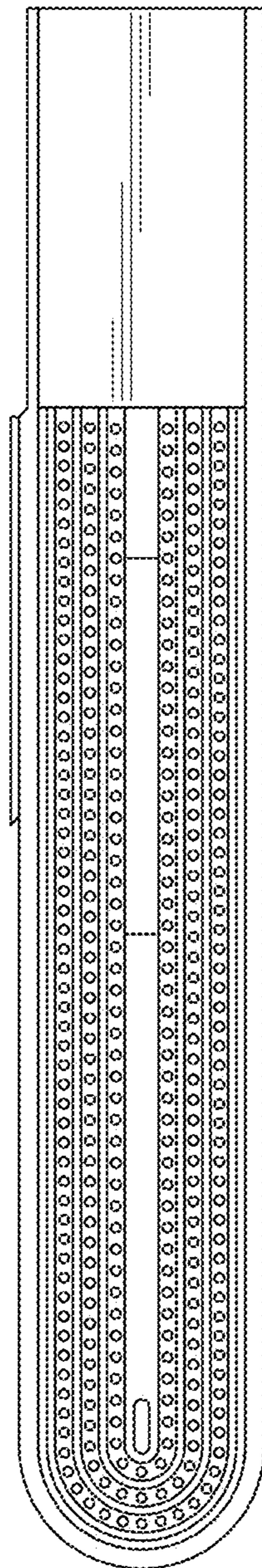
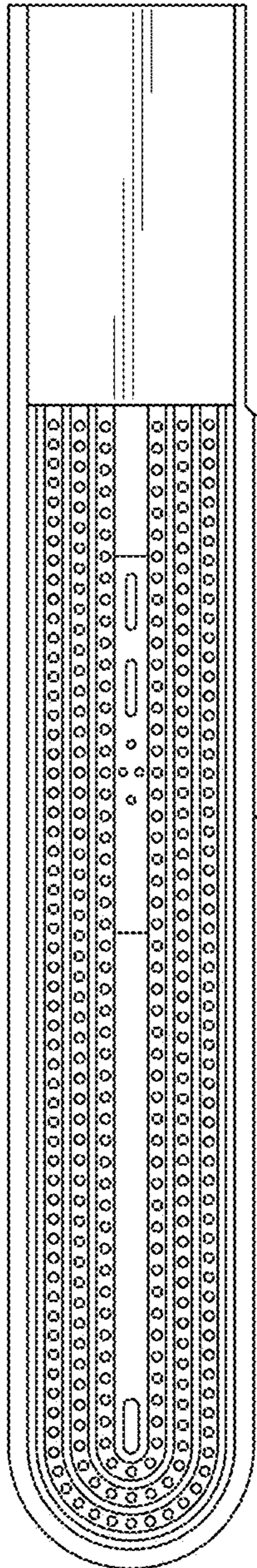


FIG. 6

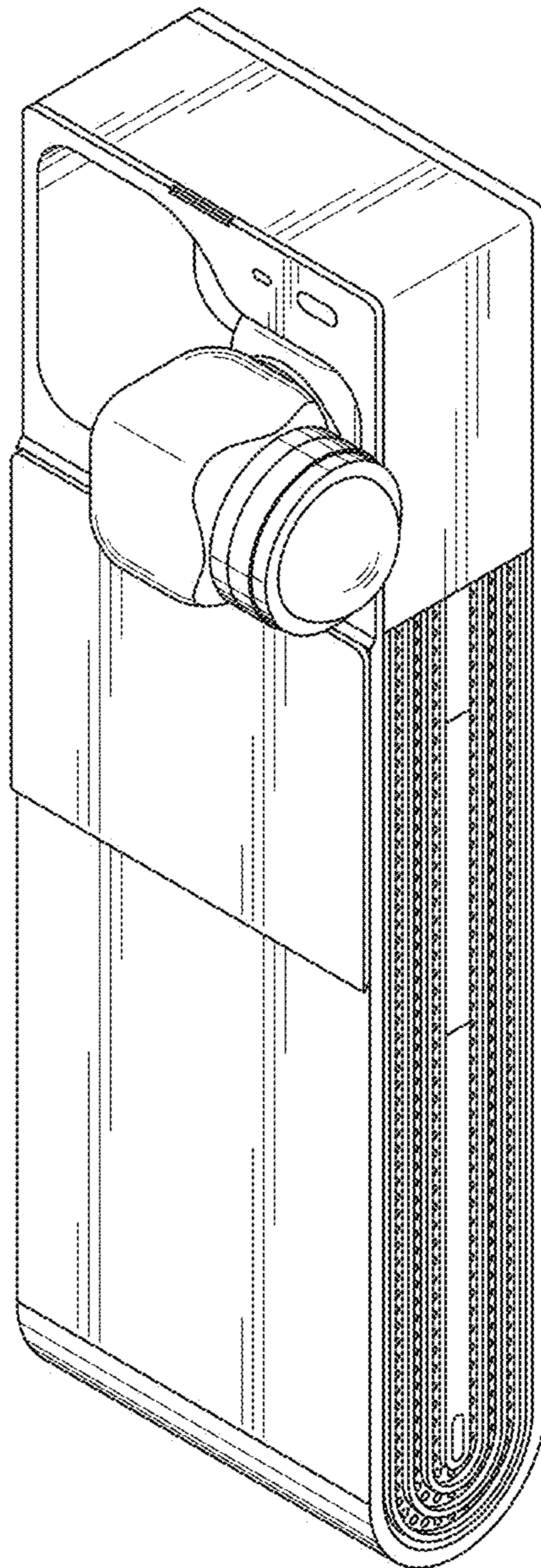


**FIG. 7**

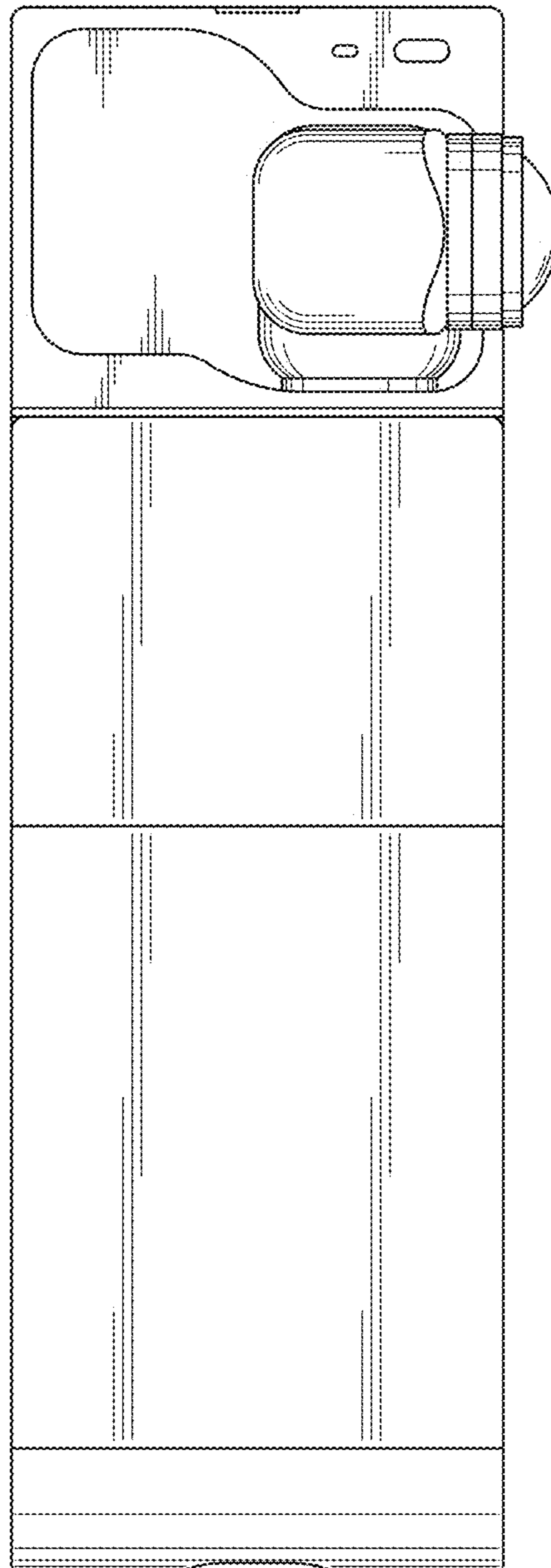




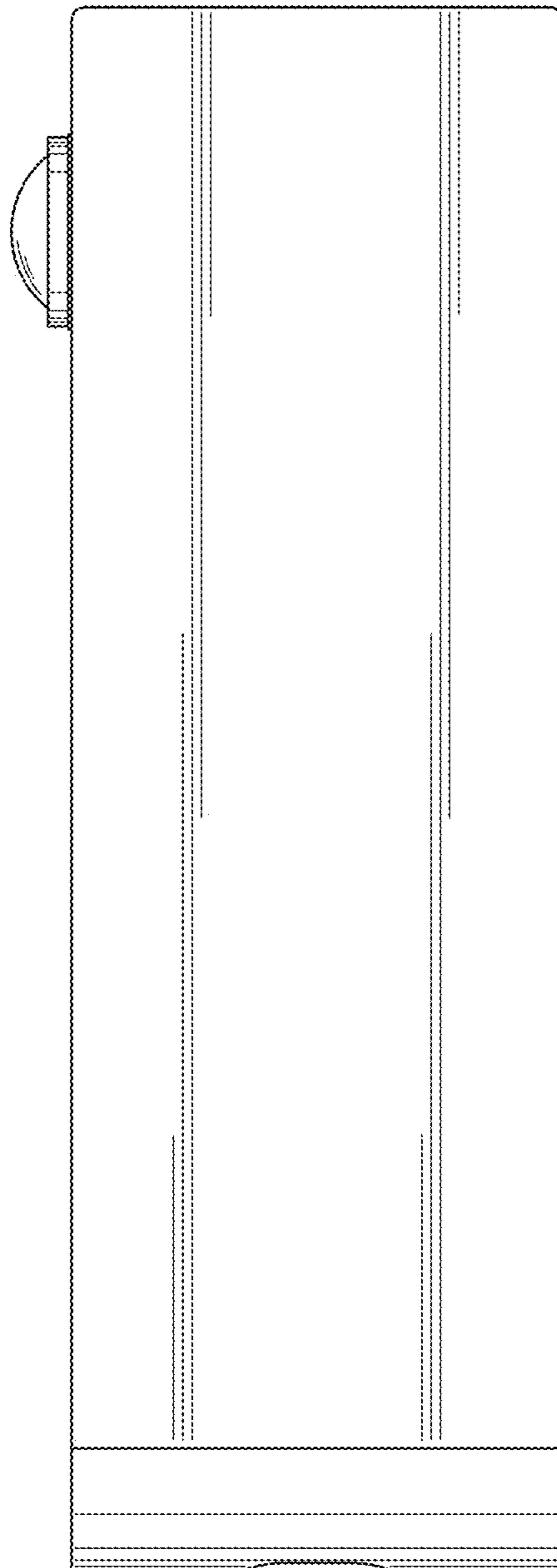
**FIG. 8**



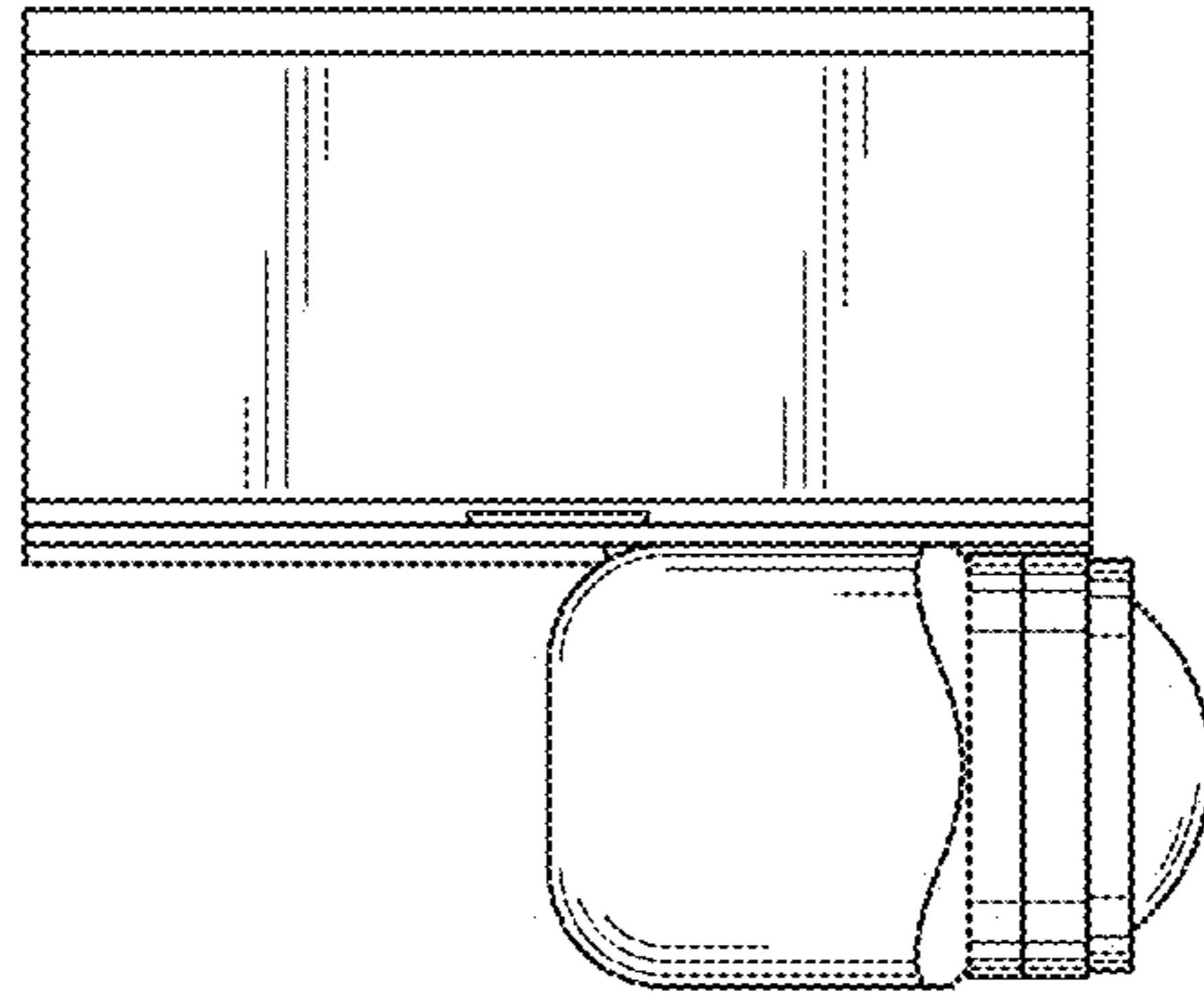
**FIG. 9**



**FIG. 10**



**FIG. 11**



**FIG. 12**

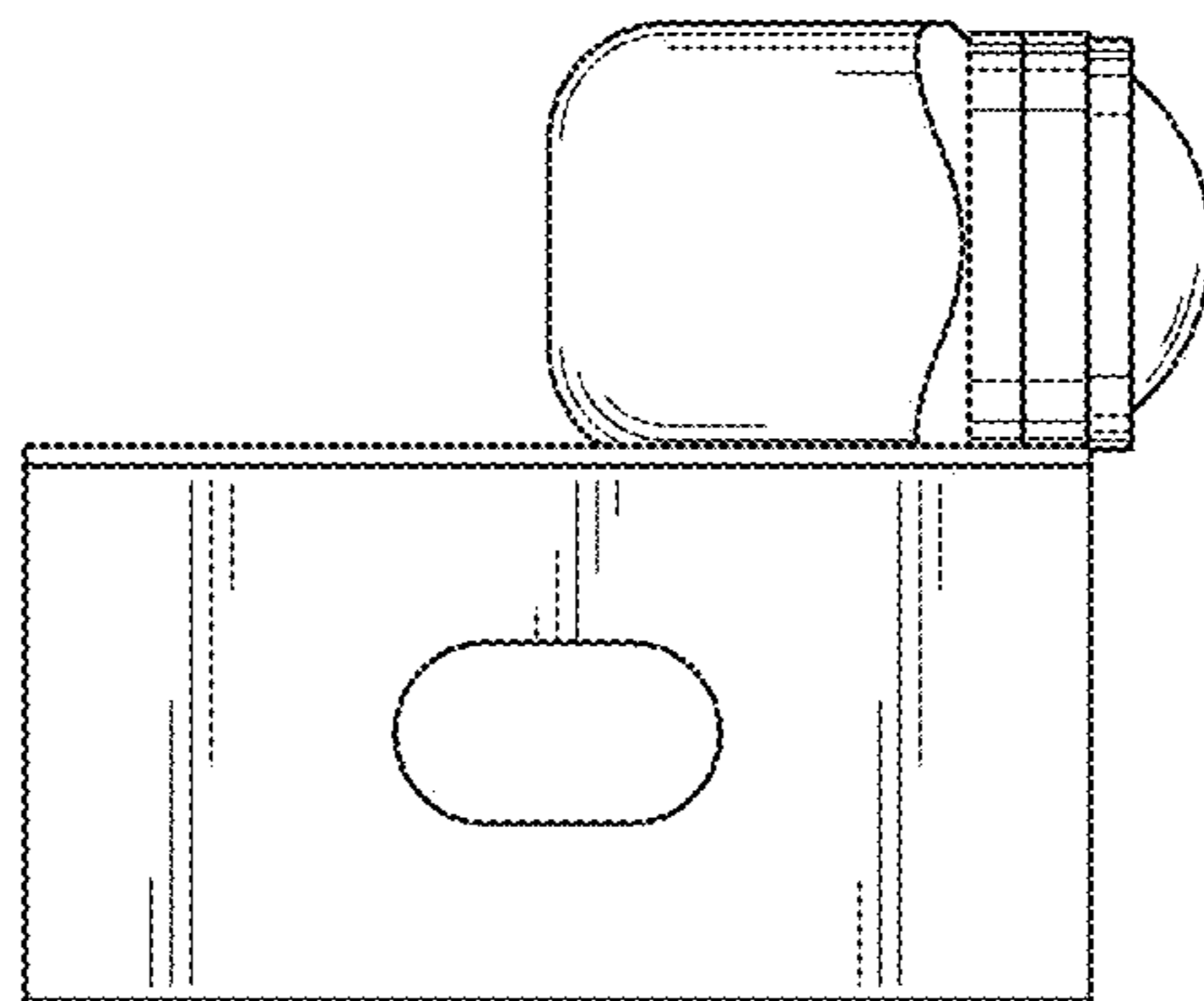
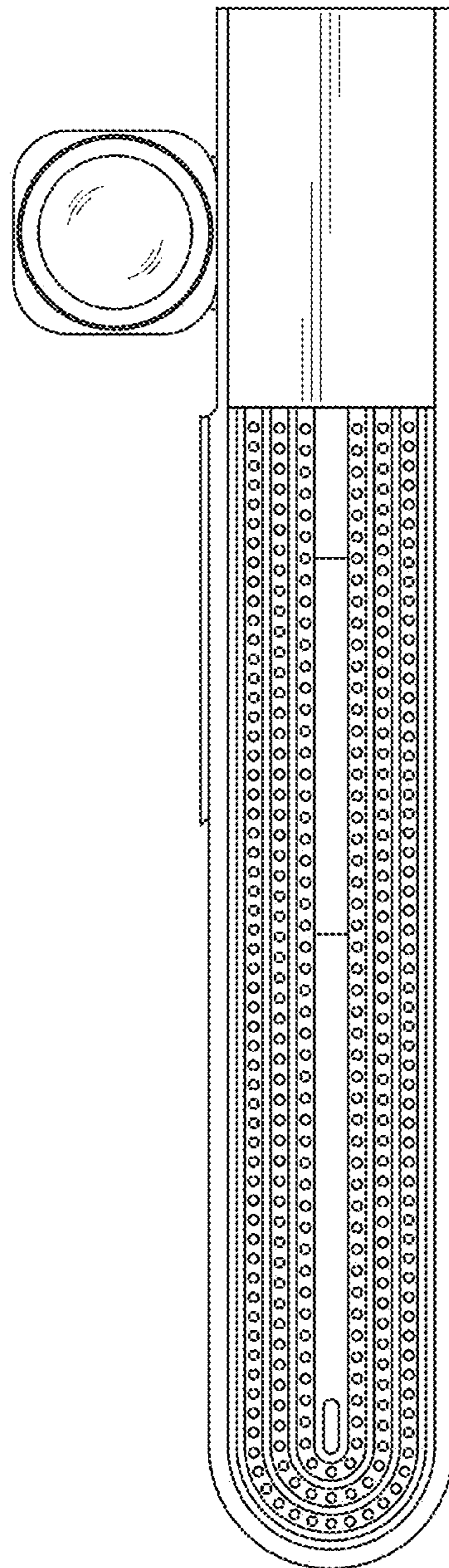
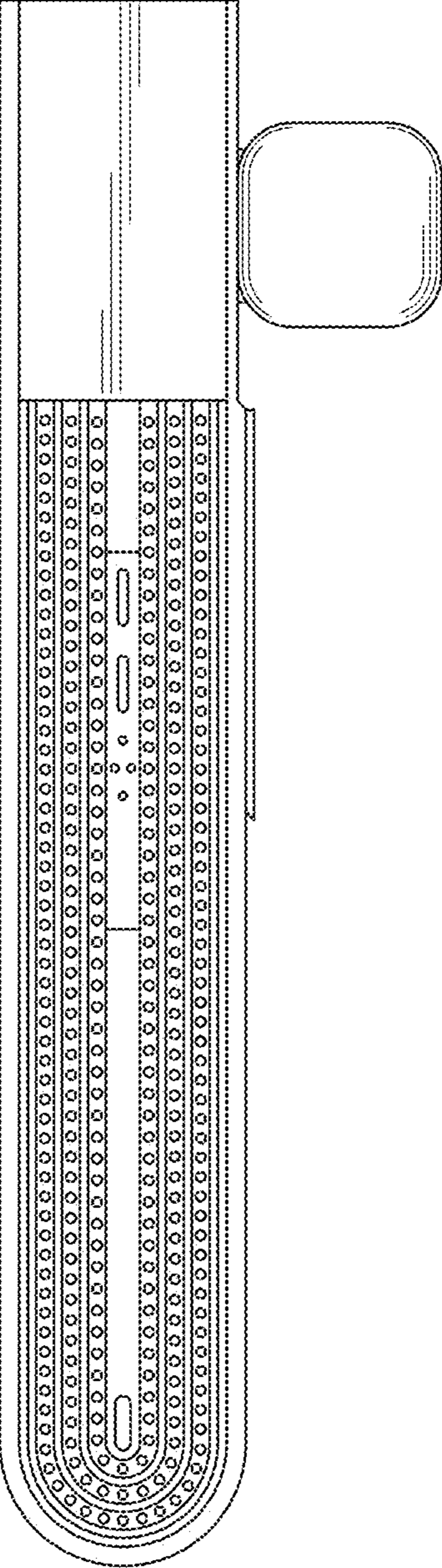


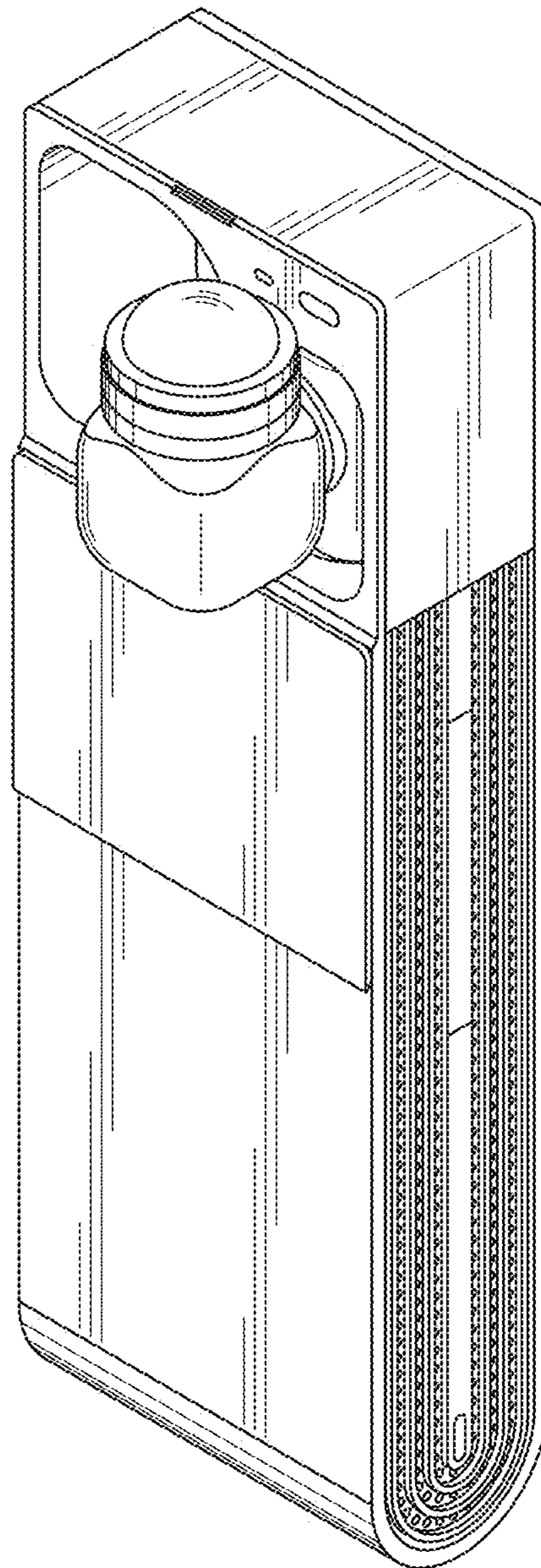
FIG. 13



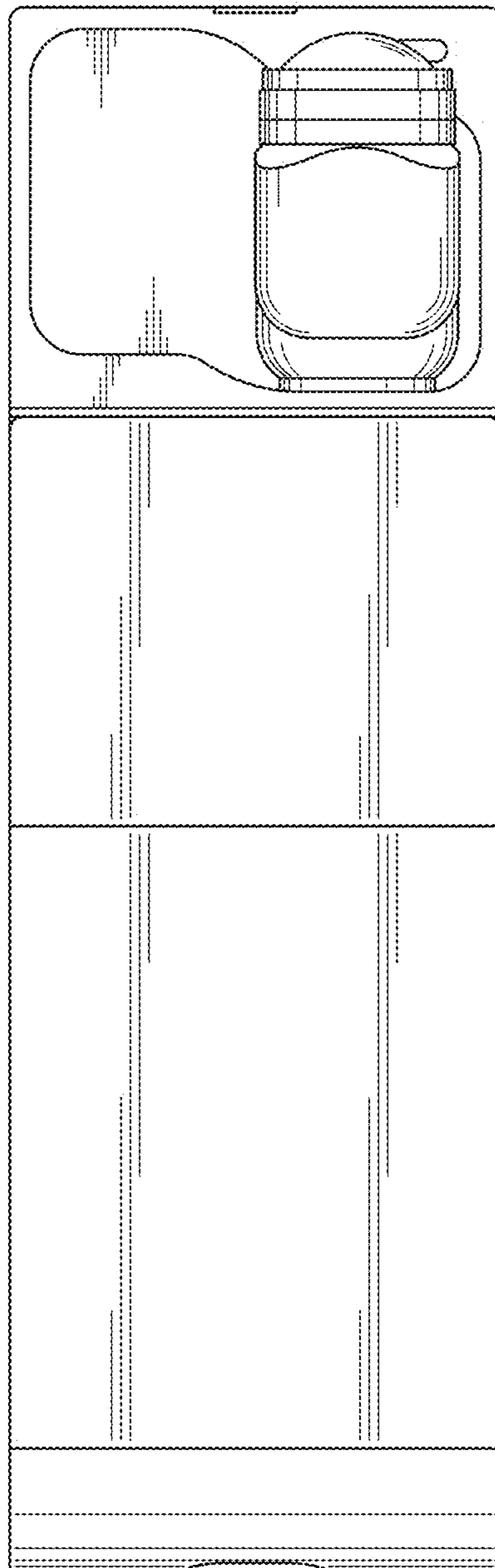
**FIG. 14**



**FIG. 15**

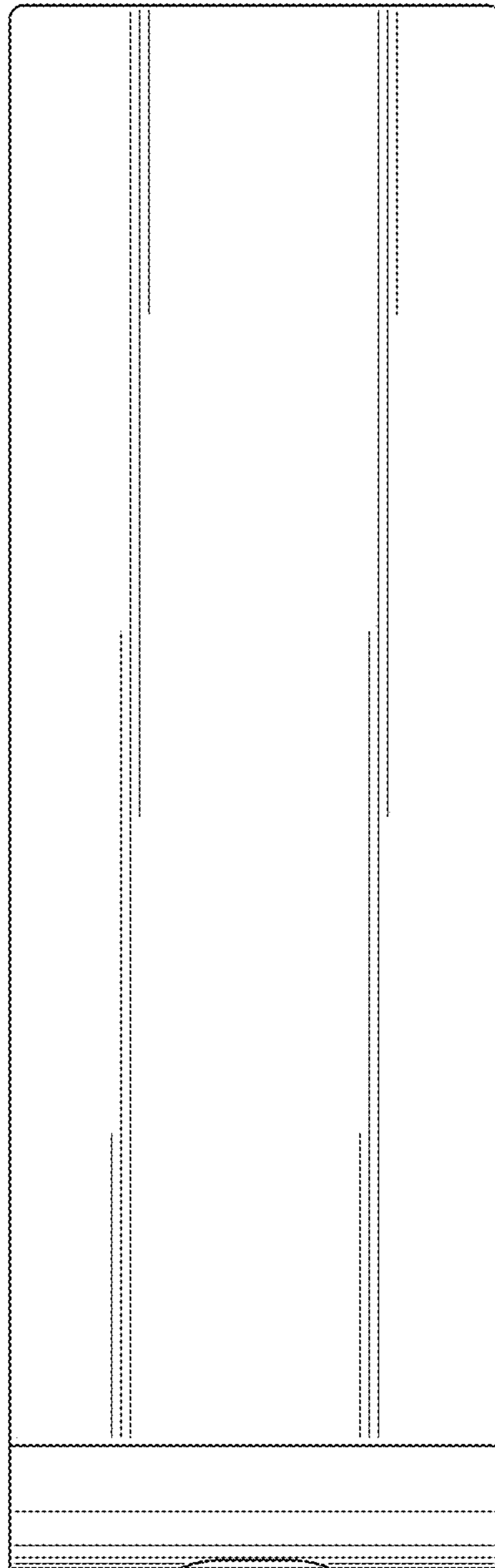


**FIG. 16**

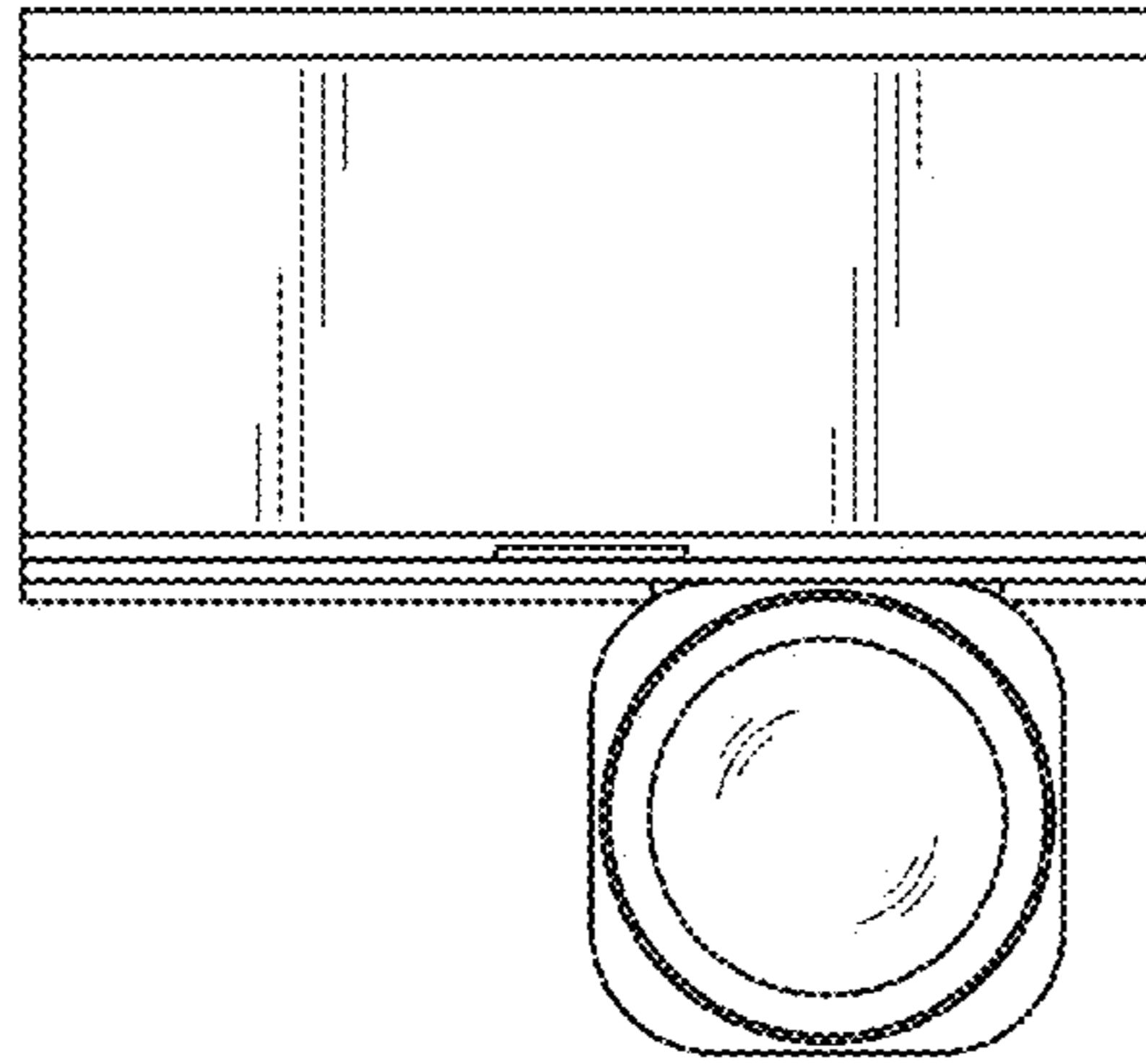




**FIG. 17**



**FIG. 18**



**FIG. 19**

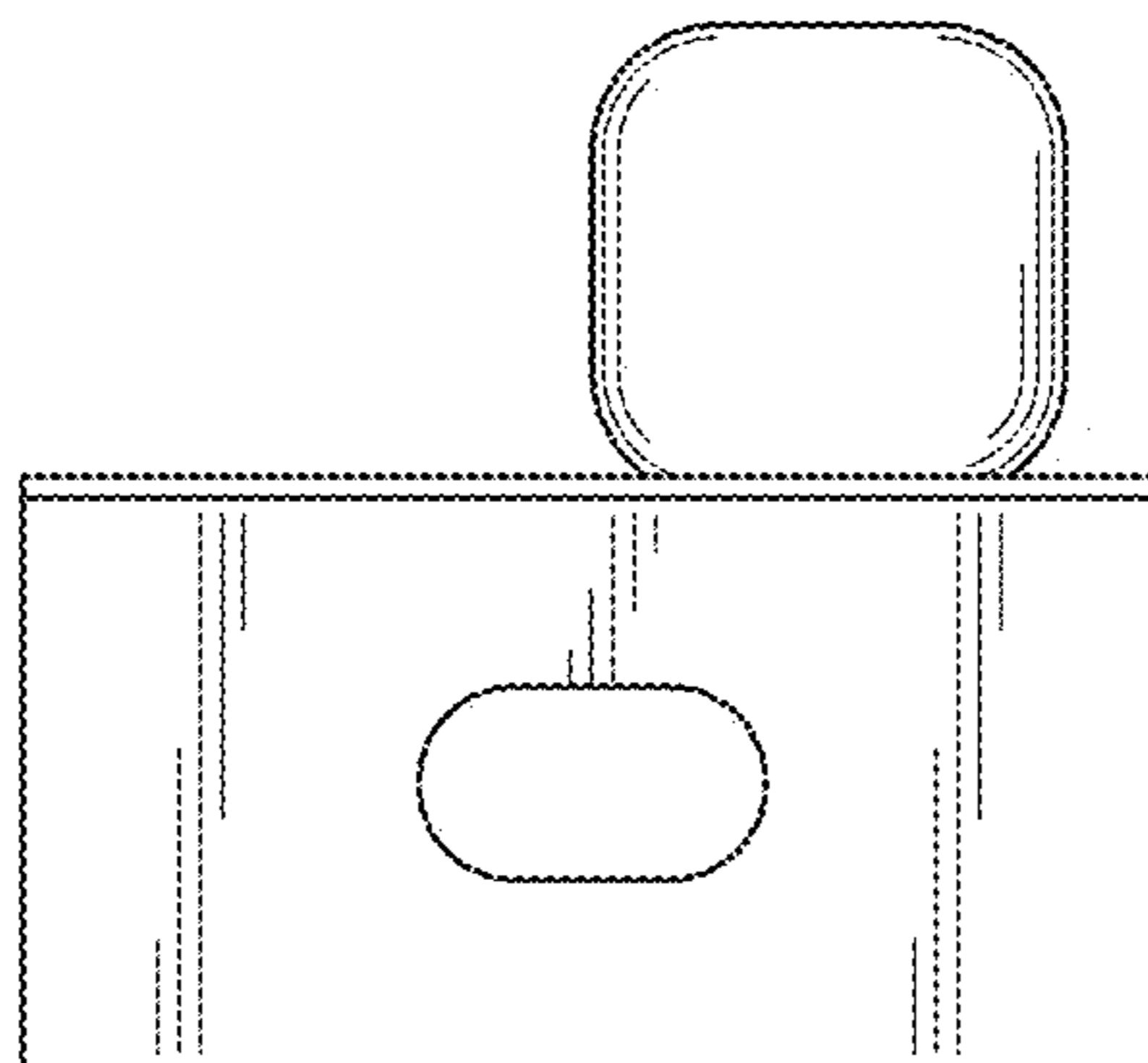


FIG. 20

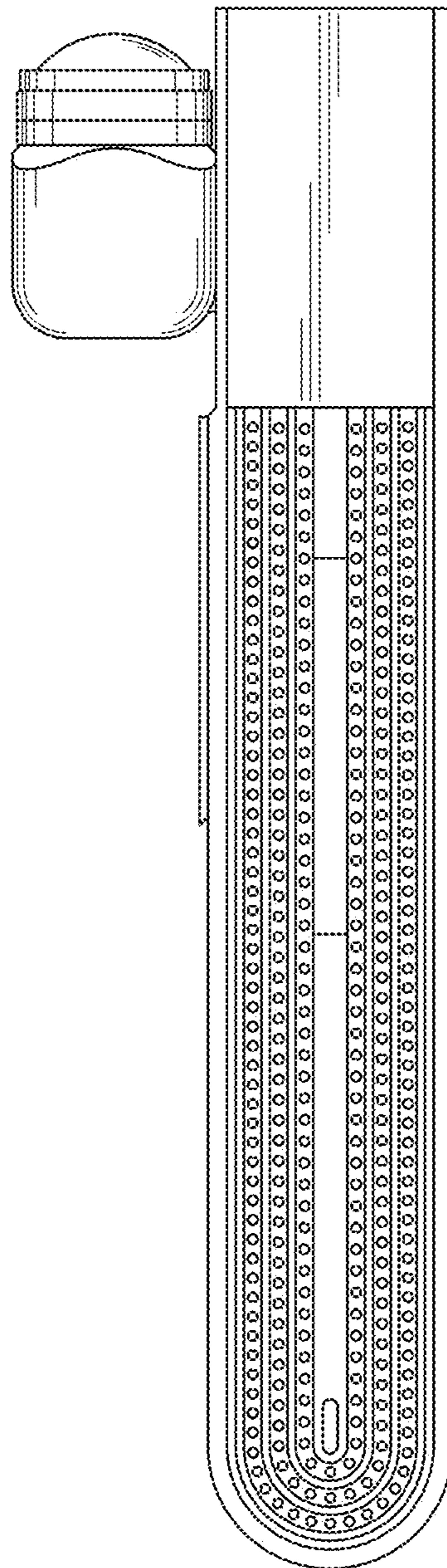
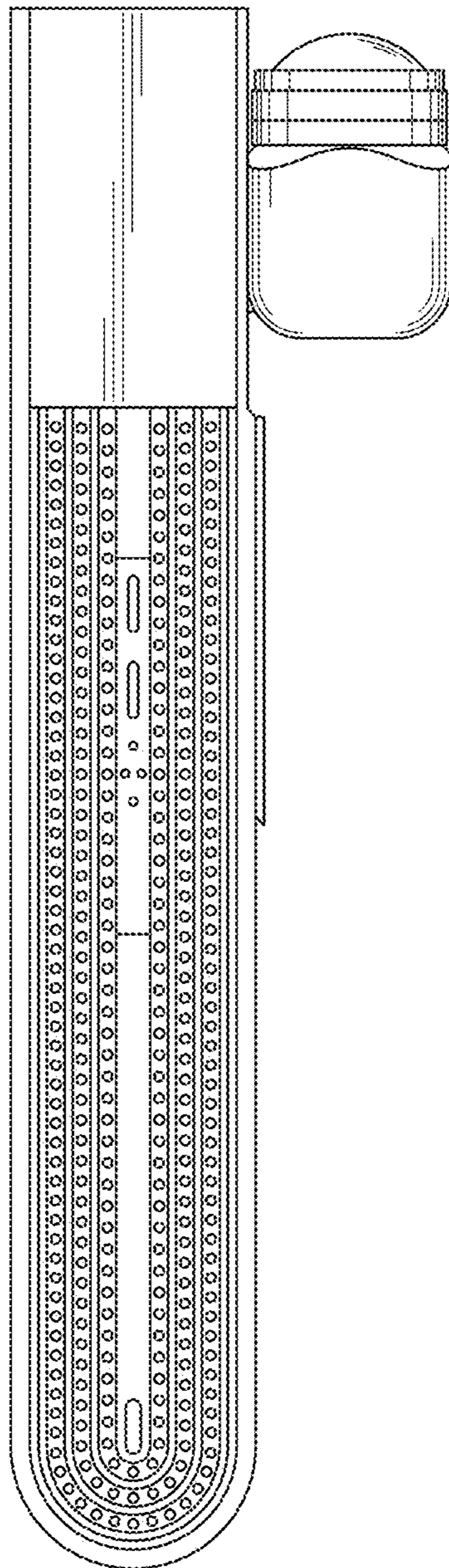
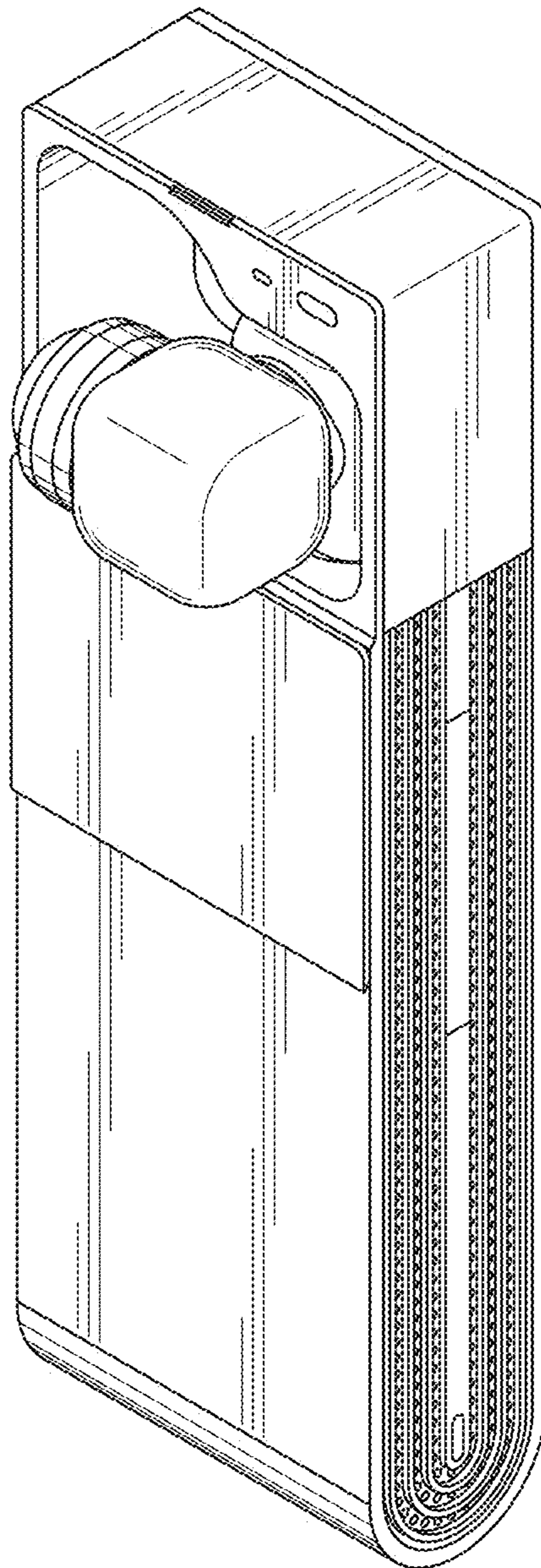


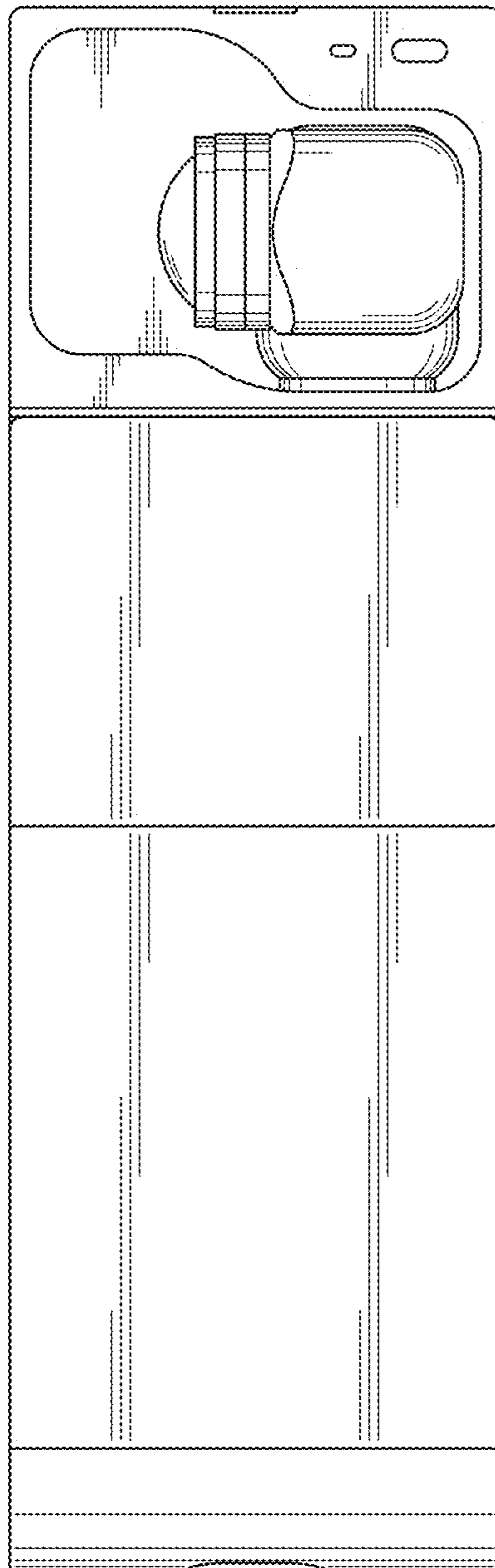
FIG. 21



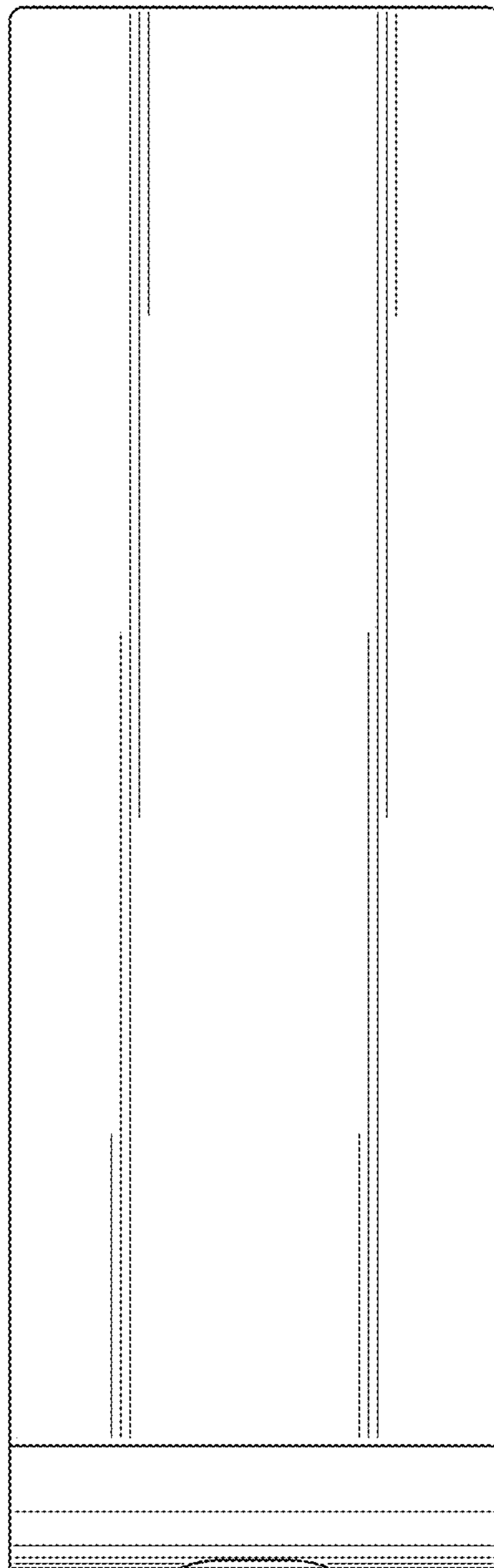
**FIG. 22**



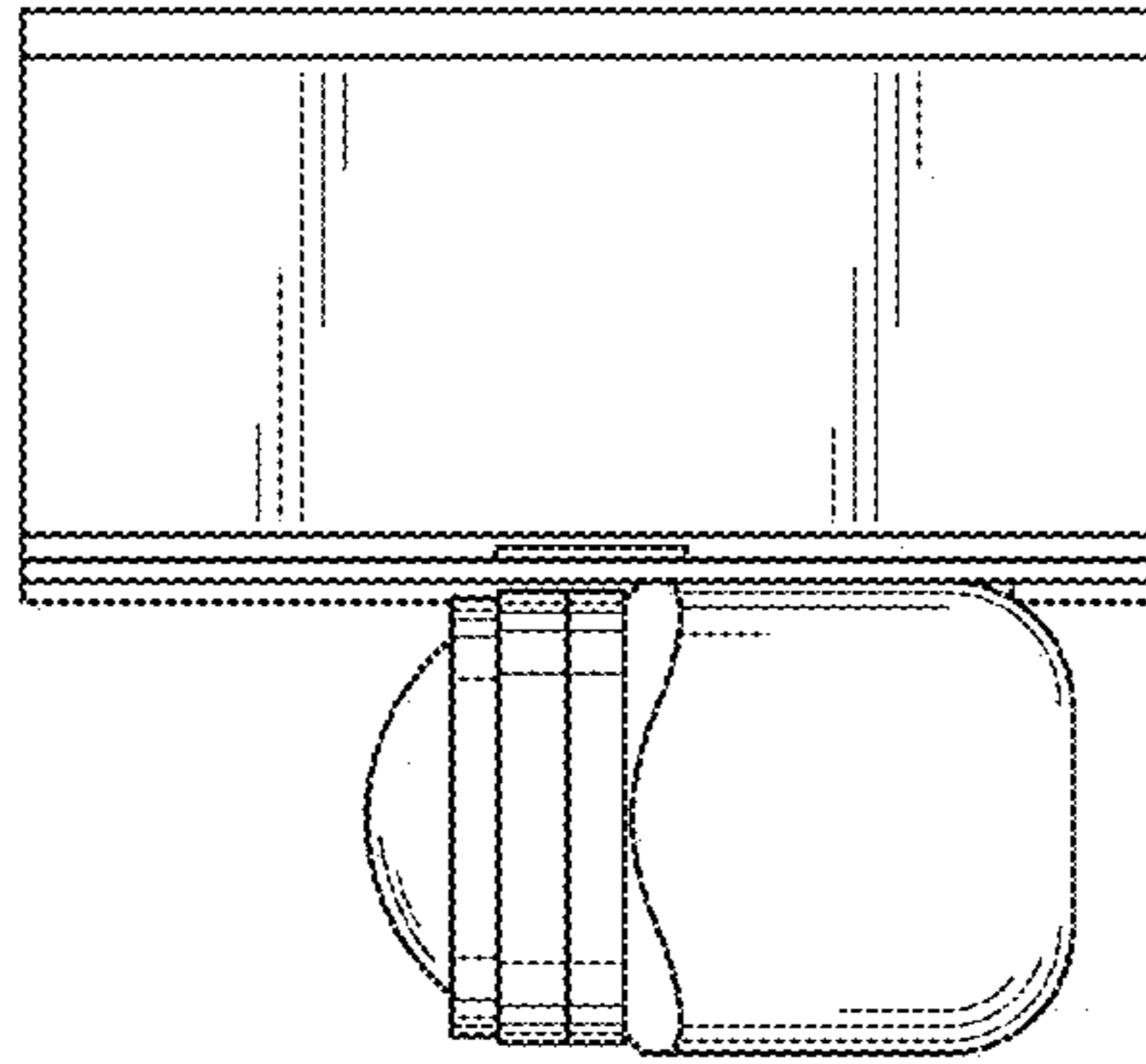
**FIG. 23**



**FIG. 24**



**FIG. 25**



**FIG. 26**

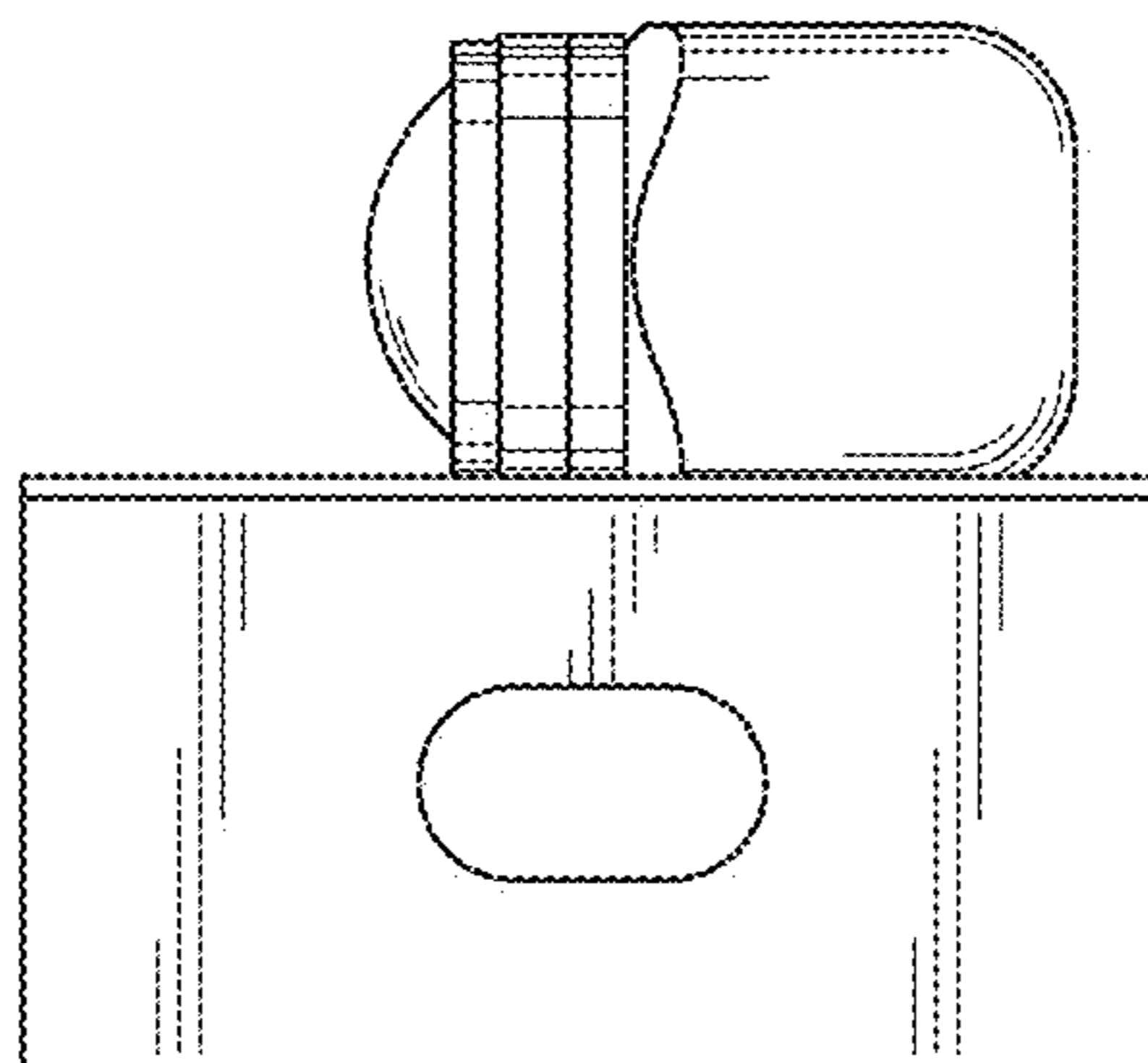
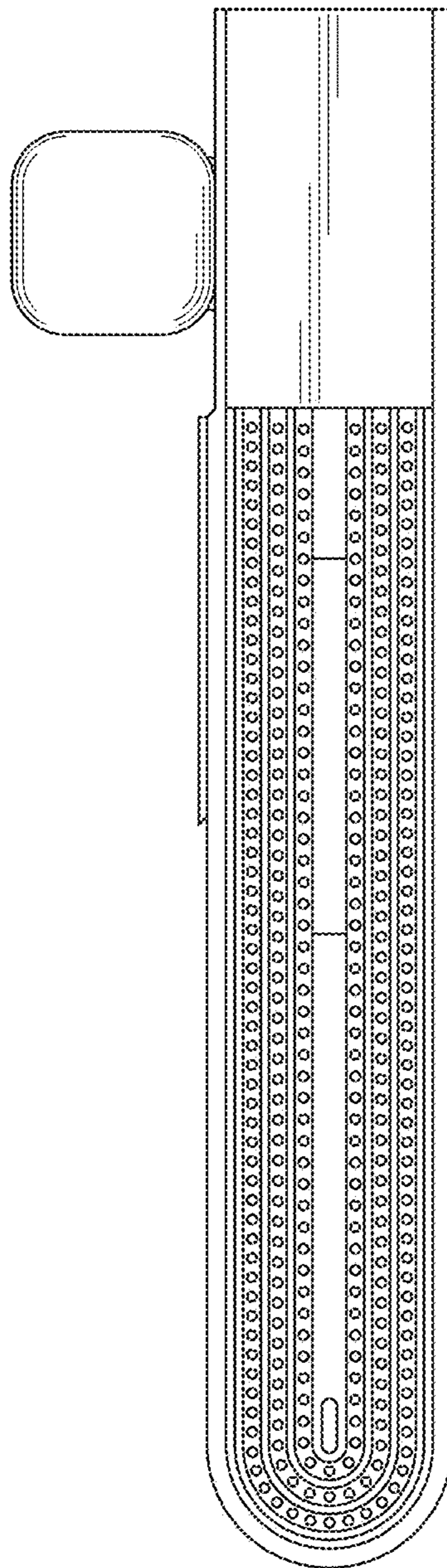
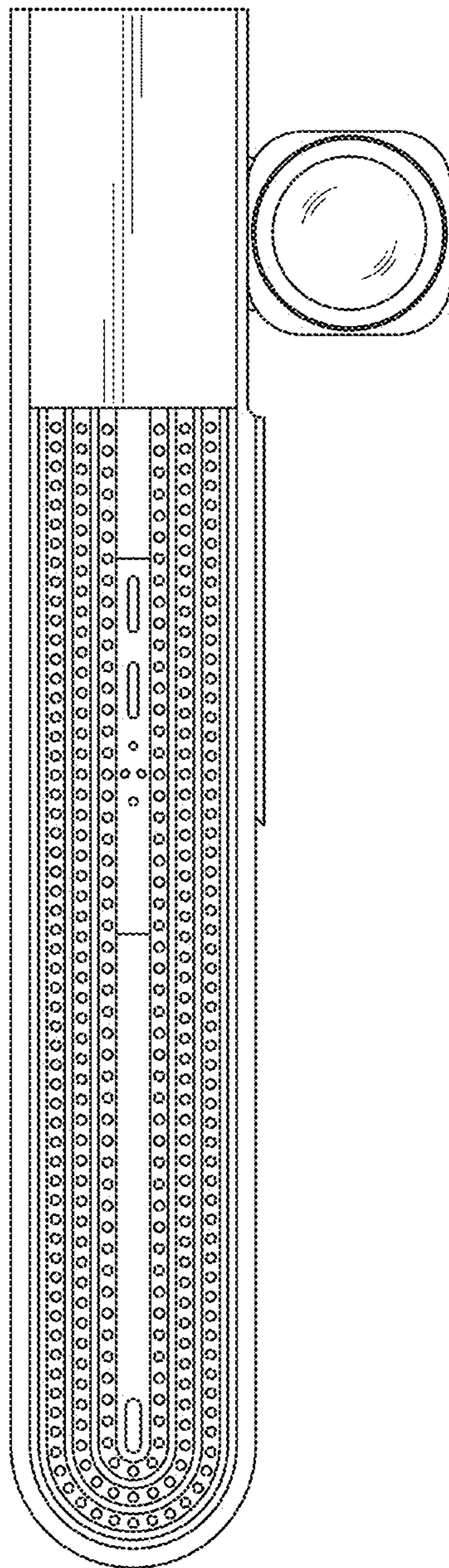




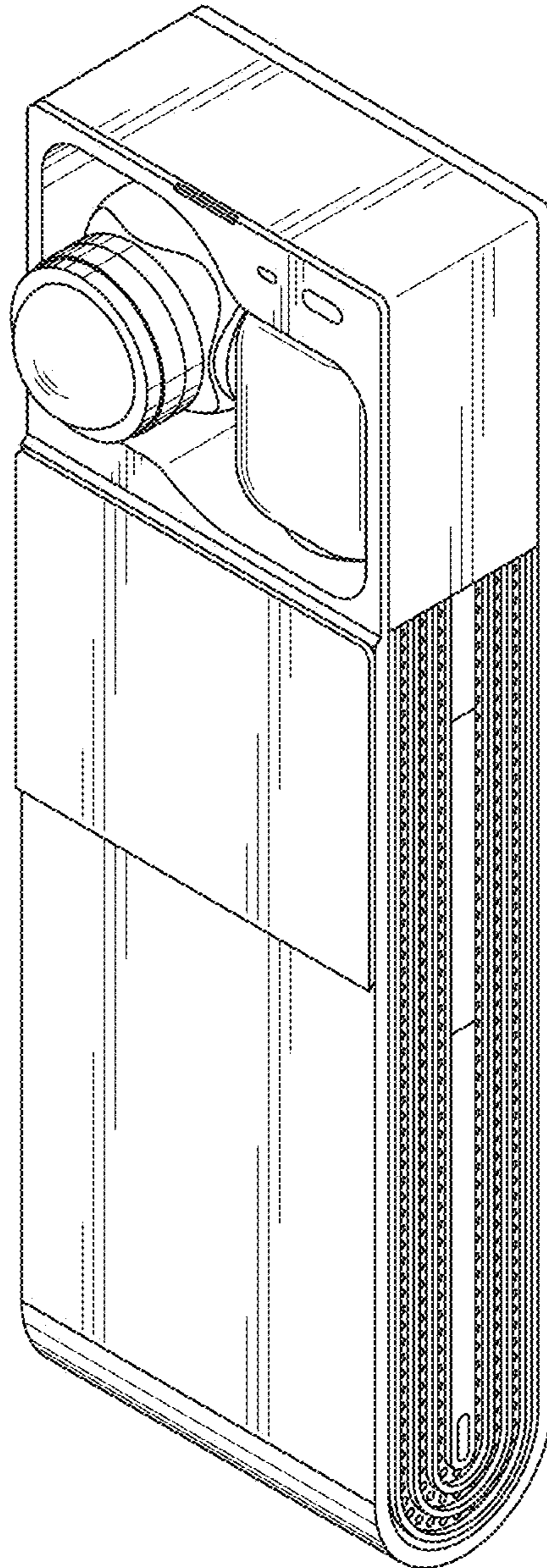
FIG. 27



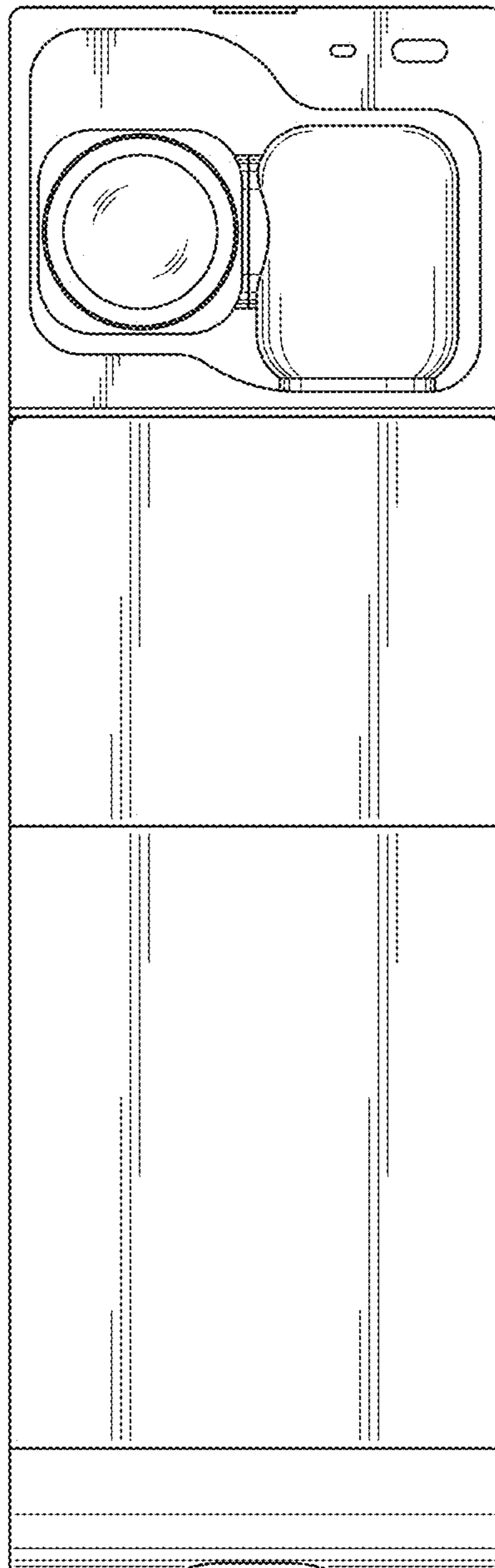
**FIG. 28**



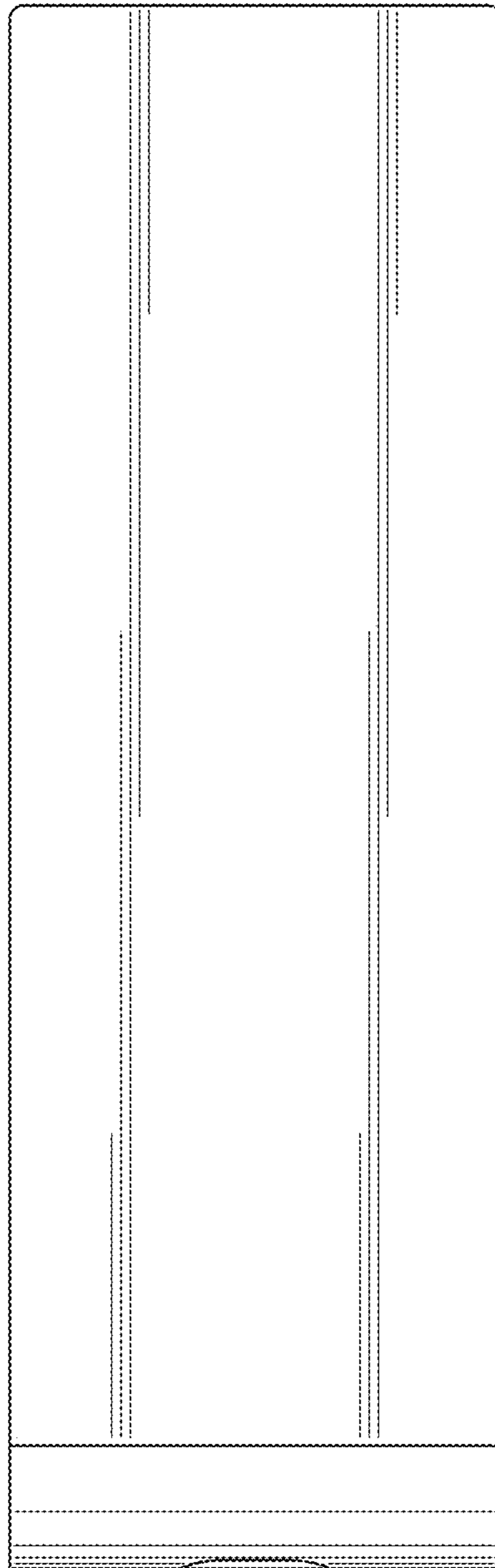
**FIG. 29**



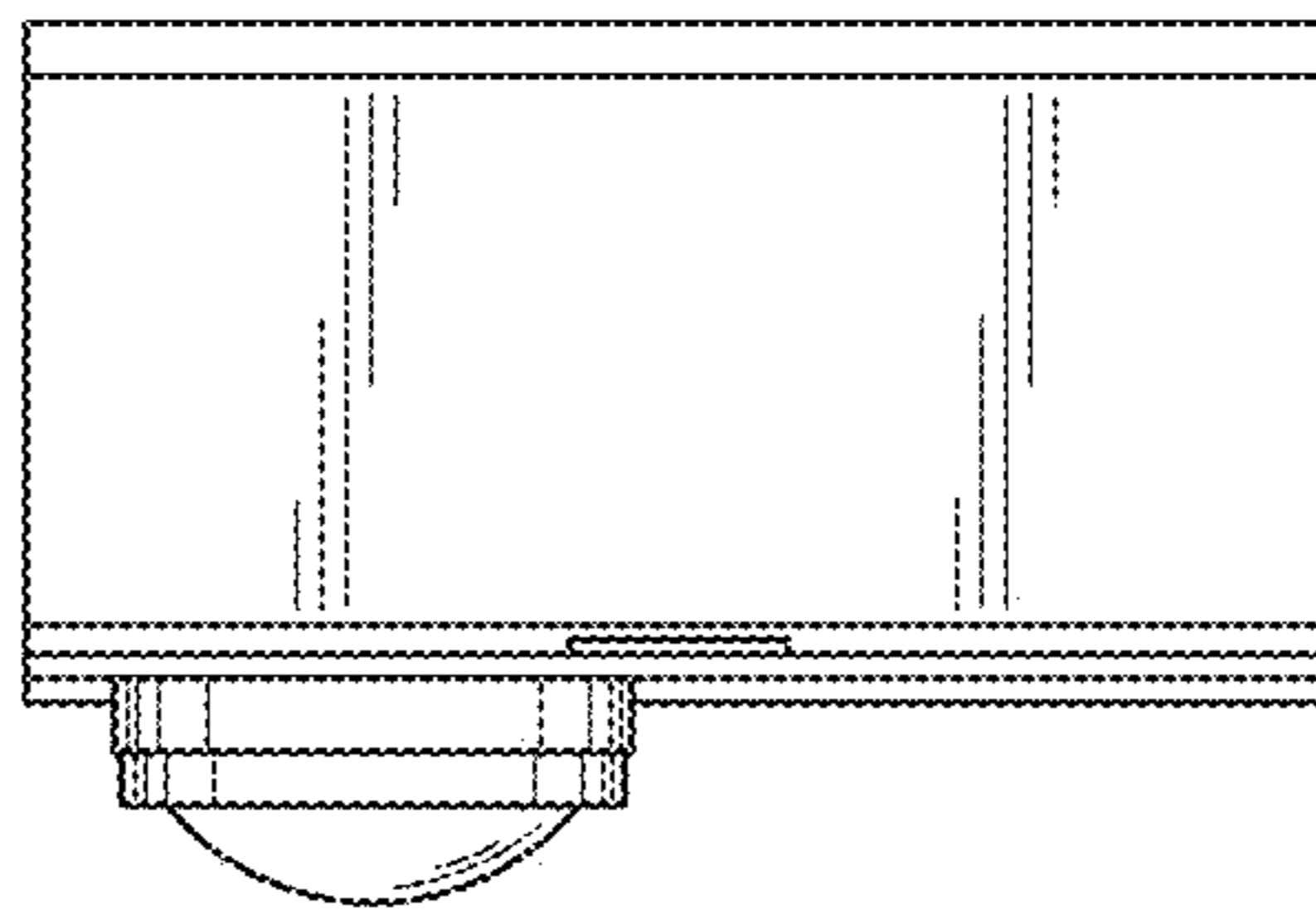
**FIG. 30**



**FIG. 31**



**FIG. 32**



**FIG. 33**

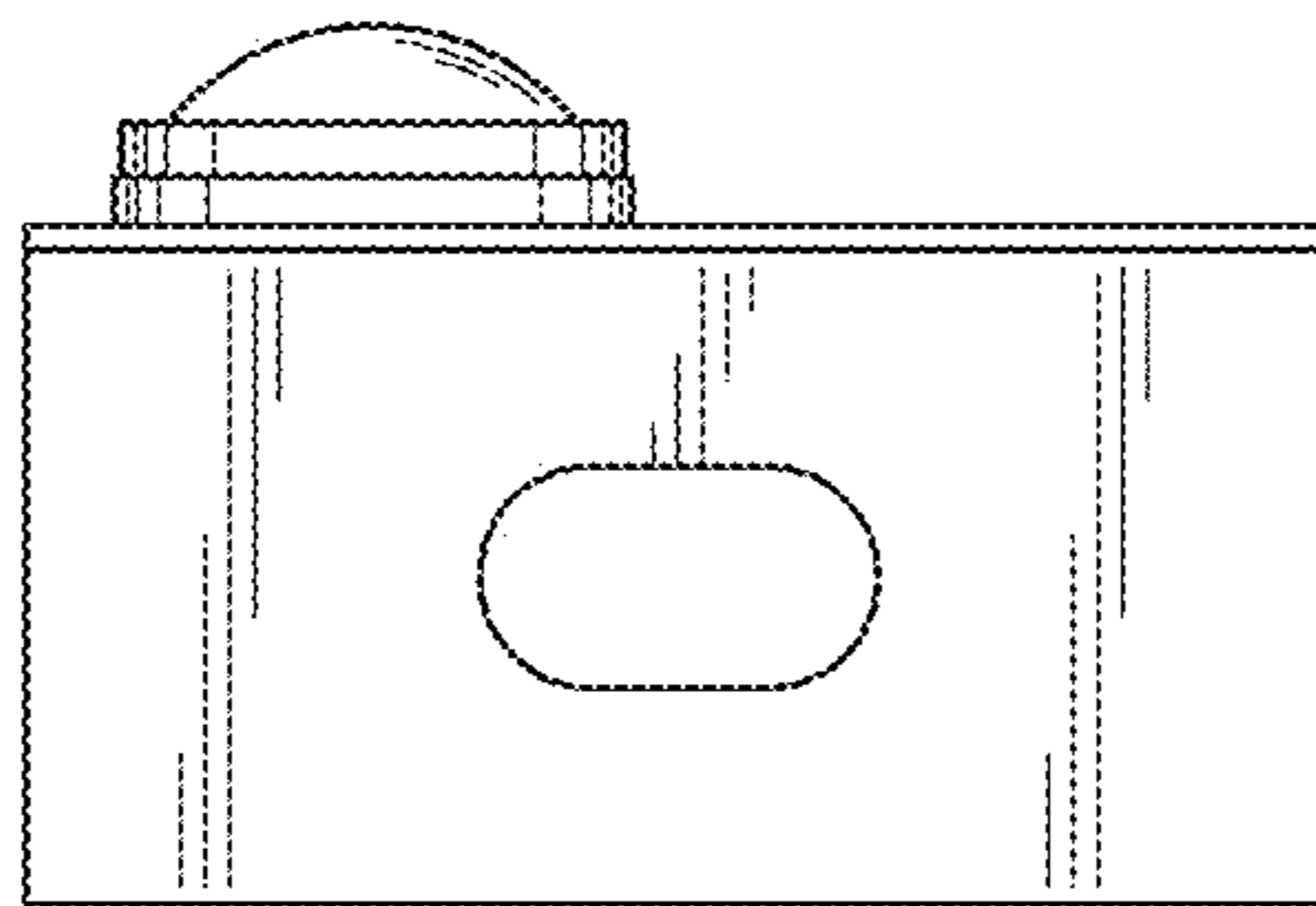


FIG. 34

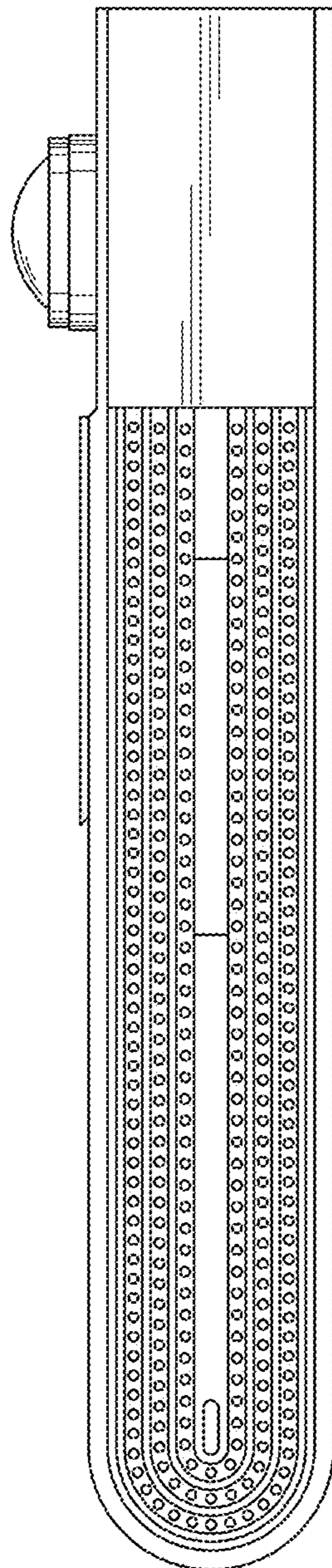


FIG. 35

