



US00D897408S

(12) **United States Design Patent**
Tsukamoto et al.

(10) **Patent No.:** **US D897,408 S**
(45) **Date of Patent:** **** Sep. 29, 2020**

(54) **CAMERA**

(71) Applicant: **SZ DJI Technology Co., Ltd.**,
Shenzhen (CN)

(72) Inventors: **Chihiro Tsukamoto**, Shenzhen (CN);
Hao Liu, Shenzhen (CN)

(73) Assignee: **SZ DJI Technology Co., Ltd.**,
Shenzhen (CN)

(**) Term: **15 Years**

(21) Appl. No.: **29/731,335**

(22) Filed: **Apr. 14, 2020**

Related U.S. Application Data

(63) Continuation of application No. 29/711,642, filed on
Nov. 1, 2019, now Pat. No. Des. 882,666, which is a
continuation of application No. 29/658,625, filed on
Aug. 1, 2018, now Pat. No. Des. 870,183.

(51) **LOC (12) Cl.** **16-05**

(52) **U.S. Cl.**
USPC **D16/219**; D16/218

(58) **Field of Classification Search**
USPC D16/200, 202–206, 208–209, 212, 218,
D16/219; 348/373–376; 396/448, 535,
396/539–541
CPC G03B 15/03; G03B 17/02; G03B 17/04;
G03B 17/56; G03B 19/04; H04N 5/2251;
H04N 5/2252; H04N 5/2253; H04N
5/2254; H04N 2101/00
See application file for complete search history.

(56) **References Cited**

U.S. PATENT DOCUMENTS

D644,679 S 9/2011 Woodman
D646,313 S 10/2011 Woodman
D657,808 S 4/2012 Woodman

D657,811 S 4/2012 Woodman
D674,428 S 1/2013 Woodman
D699,276 S 2/2014 Samuels et al.
D699,277 S 2/2014 Samuels et al.
D702,276 S 4/2014 Woodman
D702,277 S 4/2014 Woodman
D702,747 S 4/2014 Woodman et al.
D710,921 S 8/2014 Gioscia et al.
D710,922 S 8/2014 Gioscia et al.
D721,395 S 1/2015 Woodman et al.
D724,637 S 3/2015 Samuels et al.
D724,638 S 3/2015 Samuels et al.
D725,169 S 3/2015 Gioscia et al.

(Continued)

FOREIGN PATENT DOCUMENTS

JP 1111310 6/2001
JP 1427651 11/2011

Primary Examiner — Ramzi S Almatrahi

(74) *Attorney, Agent, or Firm* — Sterne, Kessler,
Goldstein & Fox P.L.L.C.

(57) **CLAIM**

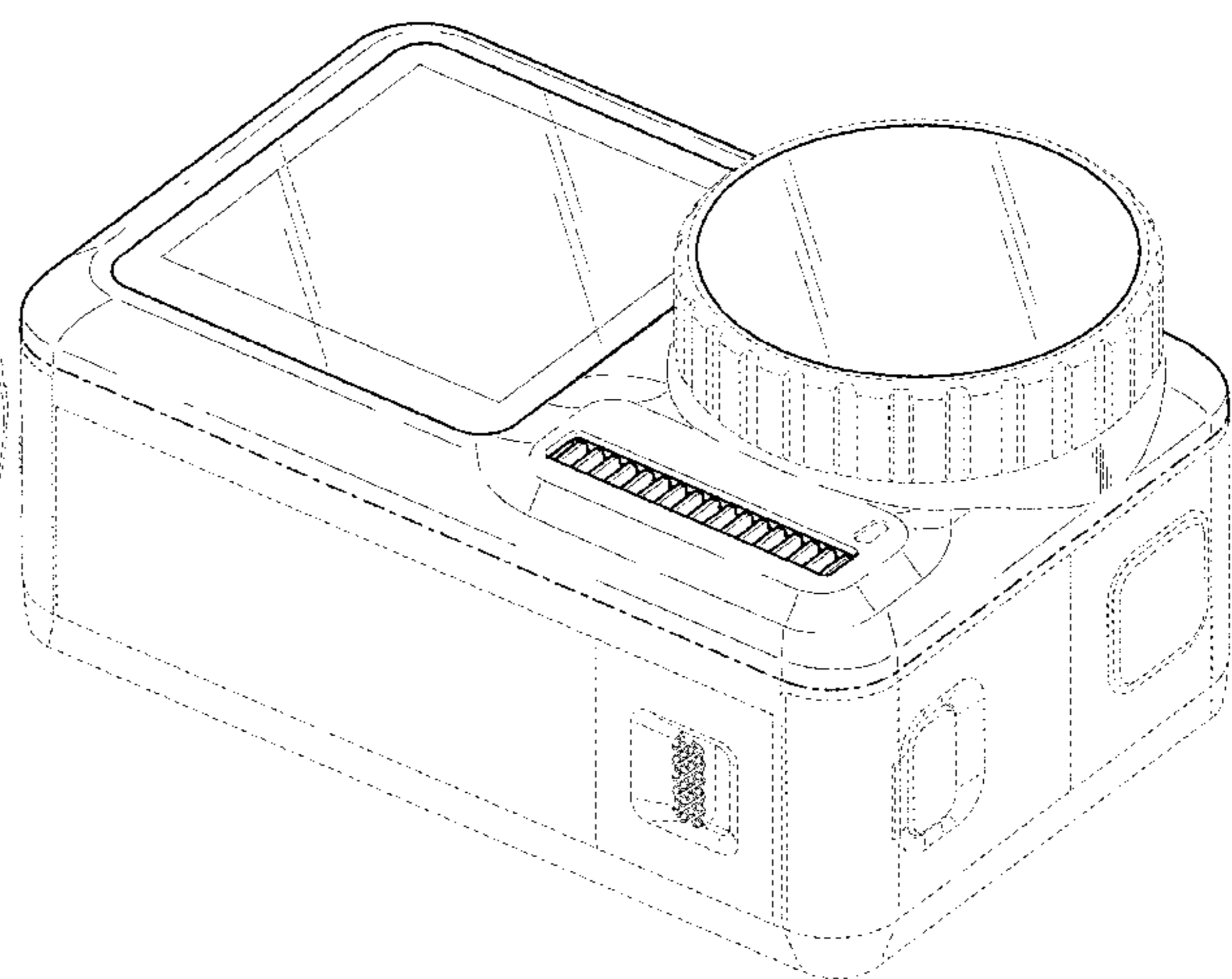
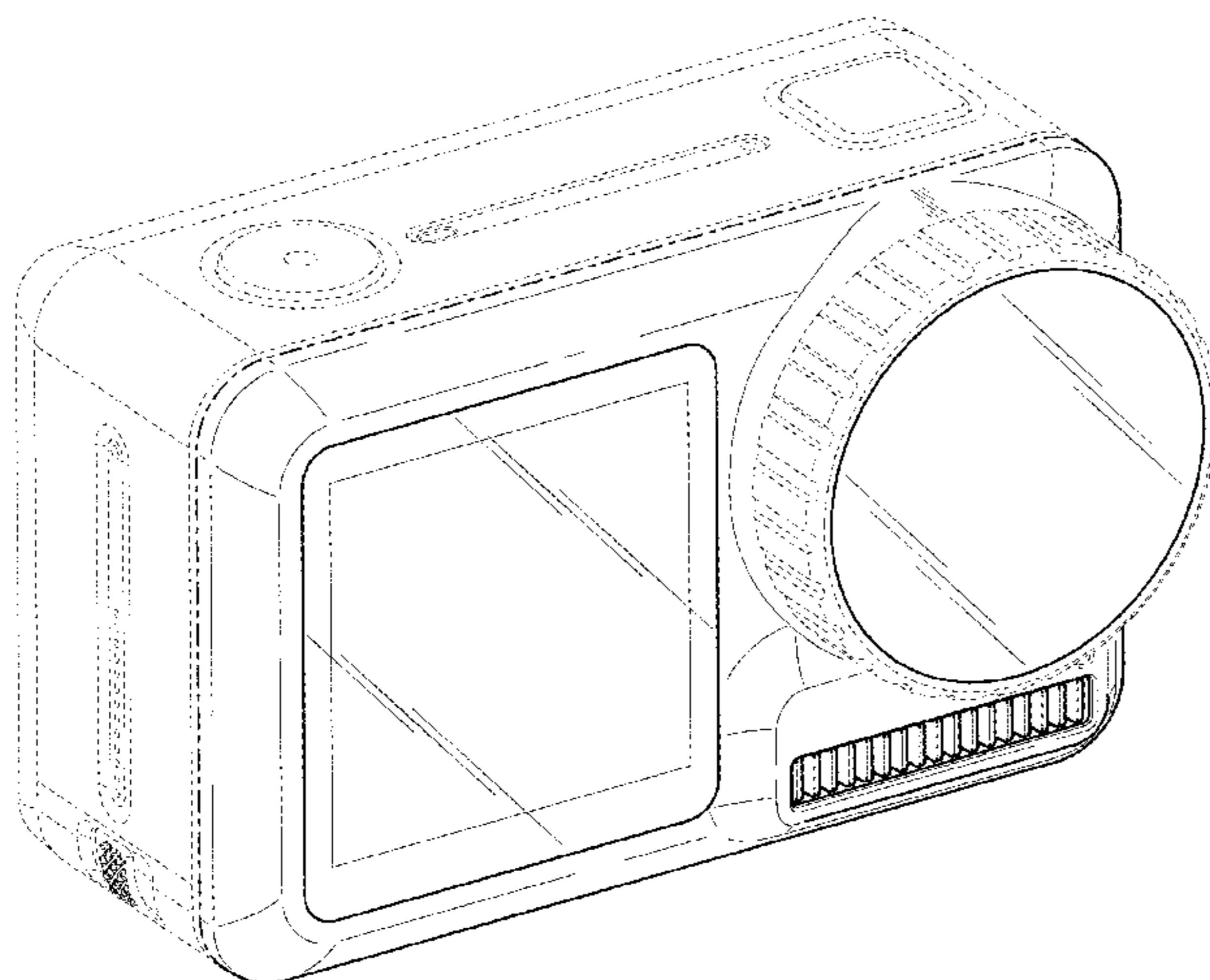
The ornamental design for a camera, as shown and
described.

DESCRIPTION

FIG. 1 is a top front perspective view of a camera showing
the claimed design;
FIG. 2 is a bottom front perspective view thereof;
FIG. 3 is a front view thereof;
FIG. 4 is a rear view thereof;
FIG. 5 is a left side view thereof;
FIG. 6 is a right side view thereof;
FIG. 7 is a top view thereof; and,
FIG. 8 is a bottom view thereof.

The dashed broken lines in the figures show portions of the
camera that form no part of the claimed design.
The dot-dash broken lines in the figures show boundaries
that form no part of the claimed design.

1 Claim, 8 Drawing Sheets



(56)

References Cited

U.S. PATENT DOCUMENTS

D732,593 S	6/2015	Woodman	D778,336 S	2/2017	Gioscia et al.	
D734,799 S	7/2015	Woodman et al.	D785,695 S	5/2017	Woodman et al.	
D735,790 S	8/2015	Gioscia et al.	D789,435 S	6/2017	Nguyen et al.	
D737,879 S	9/2015	Woodman et al.	D790,001 S	6/2017	Parfitt et al.	
D739,451 S	9/2015	Gioscia et al.	D790,002 S	6/2017	Nguyen et al.	
D740,868 S	10/2015	Gioscia et al.	D791,848 S	7/2017	Zhu et al.	
D740,875 S	10/2015	Woodman et al.	D794,696 S	8/2017	Nguyen et al.	
D740,876 S	10/2015	Woodman et al.	D798,929 S *	10/2017	Zhou	D16/200
D741,394 S	10/2015	Gioscia et al.	D800,202 S	10/2017	Hu	
D750,146 S	2/2016	Costa et al.	D803,925 S	11/2017	Hoshi et al.	
D750,686 S	3/2016	Chen	D805,117 S	12/2017	Nguyen et al.	
D751,131 S	3/2016	Woodman et al.	D806,155 S	12/2017	Parfitt et al.	
D751,133 S	3/2016	Gioscia et al.	D806,775 S	1/2018	Nguyen et al.	
D751,135 S	3/2016	Bould et al.	D816,753 S	5/2018	Zhang	
D754,238 S	4/2016	Woodman	D825,636 S	8/2018	Hueber et al.	
D755,874 S	5/2016	Yang	D836,696 S	12/2018	Zhang	
D758,467 S	6/2016	Zhang	D837,865 S	1/2019	Parfitt et al.	
D760,309 S	6/2016	Parfitt et al.	D839,335 S	1/2019	Zhang	
D766,351 S	9/2016	Li et al.	D840,463 S	2/2019	Nguyen et al.	
D769,346 S	10/2016	Nguyen et al.	D849,084 S	5/2019	Hu	
D772,966 S	11/2016	Song	D850,513 S	6/2019	Gan et al.	
D773,546 S	12/2016	Nguyen et al.	D852,255 S	6/2019	Guo	
D775,254 S	12/2016	Parfitt et al.	D854,597 S	7/2019	Gao	
D776,741 S	1/2017	Parfitt et al.	D857,076 S	8/2019	Gan	
D777,821 S	1/2017	Gioscia et al.	D867,420 S	11/2019	Zhang	
D778,335 S	2/2017	Gioscia et al.	D868,871 S	12/2019	Nguyen et al.	
			D871,480 S *	12/2019	Hu	D16/202
			D877,228 S *	3/2020	Han	D16/202

* cited by examiner

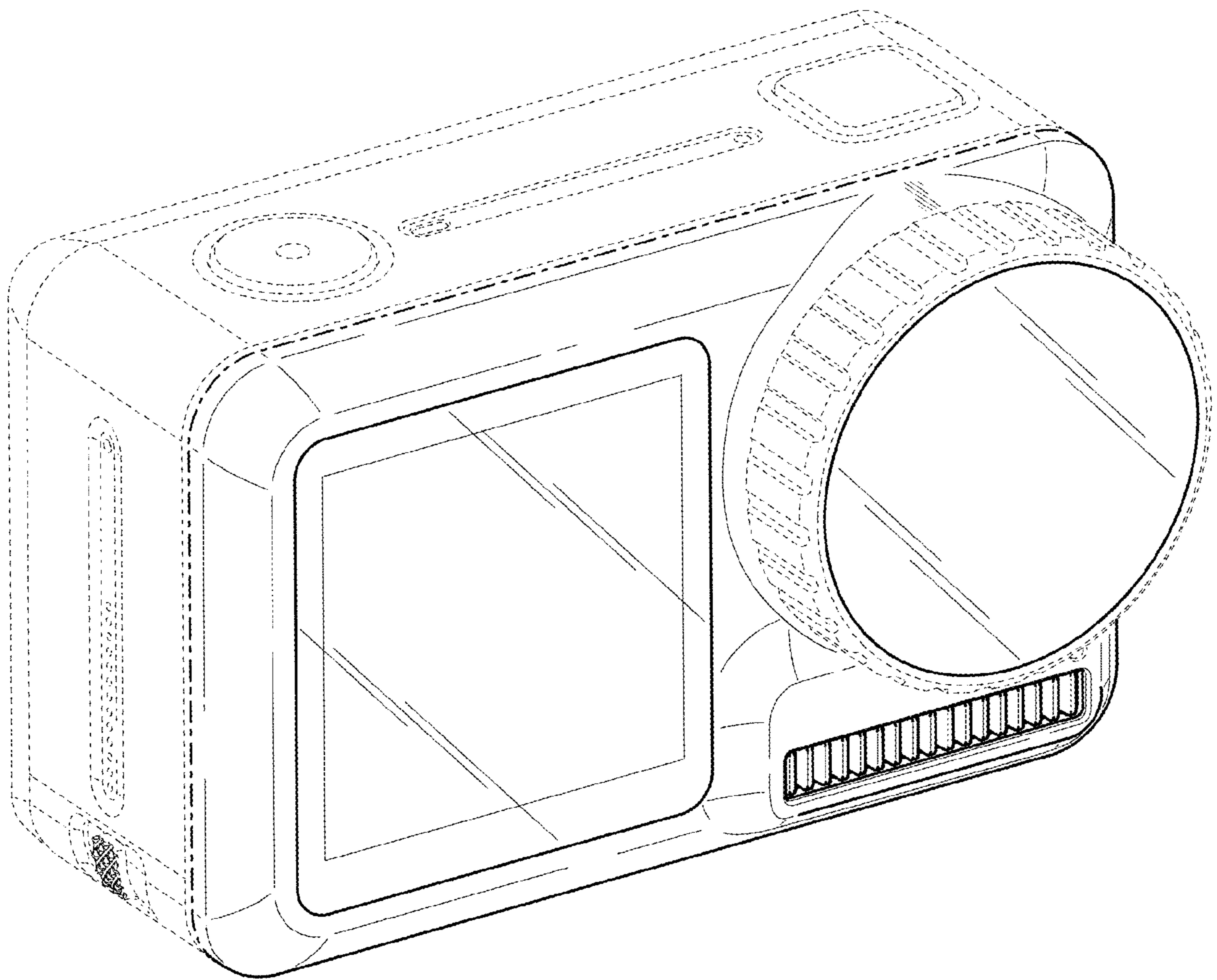


FIG. 1

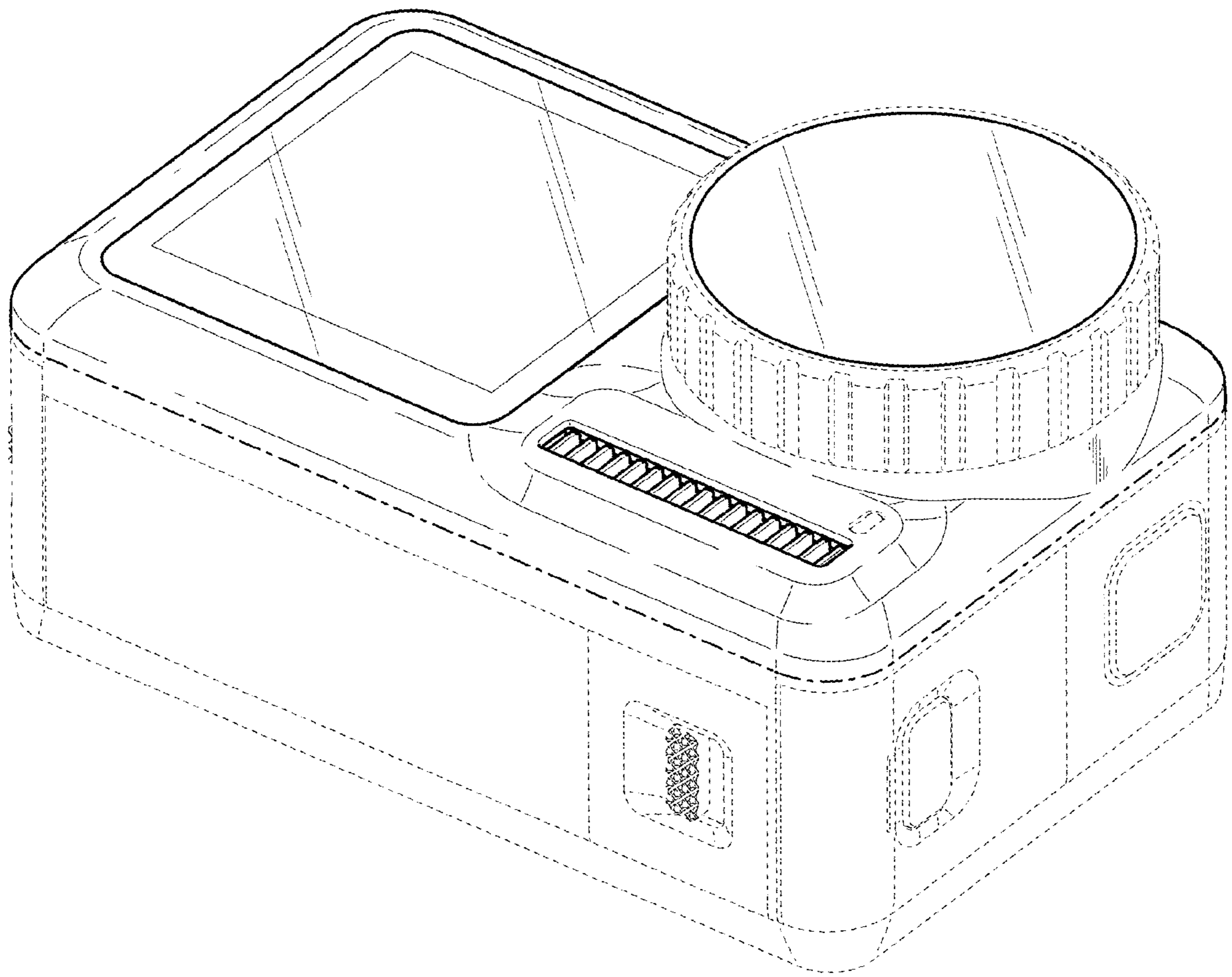


FIG. 2

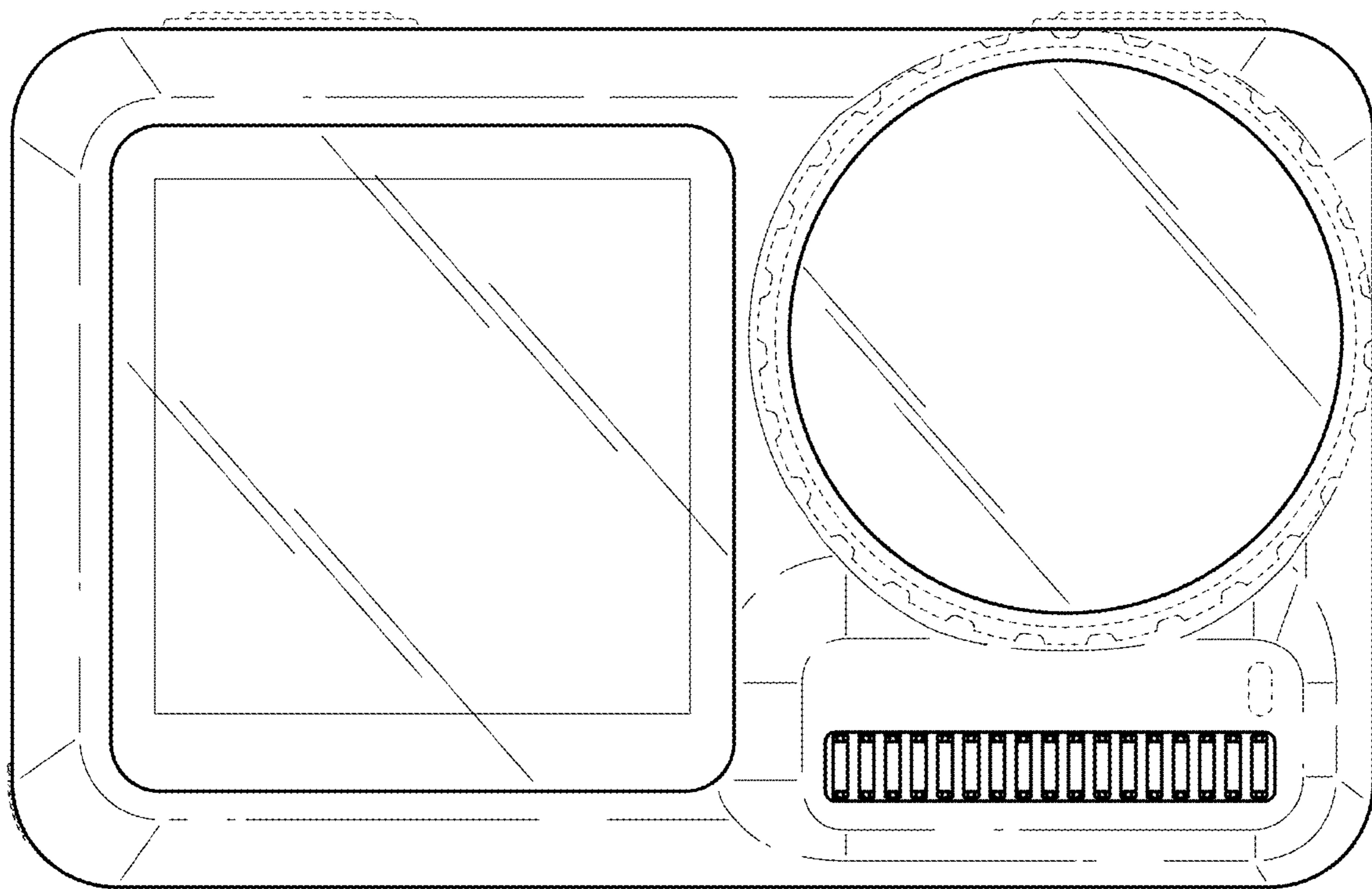


FIG. 3

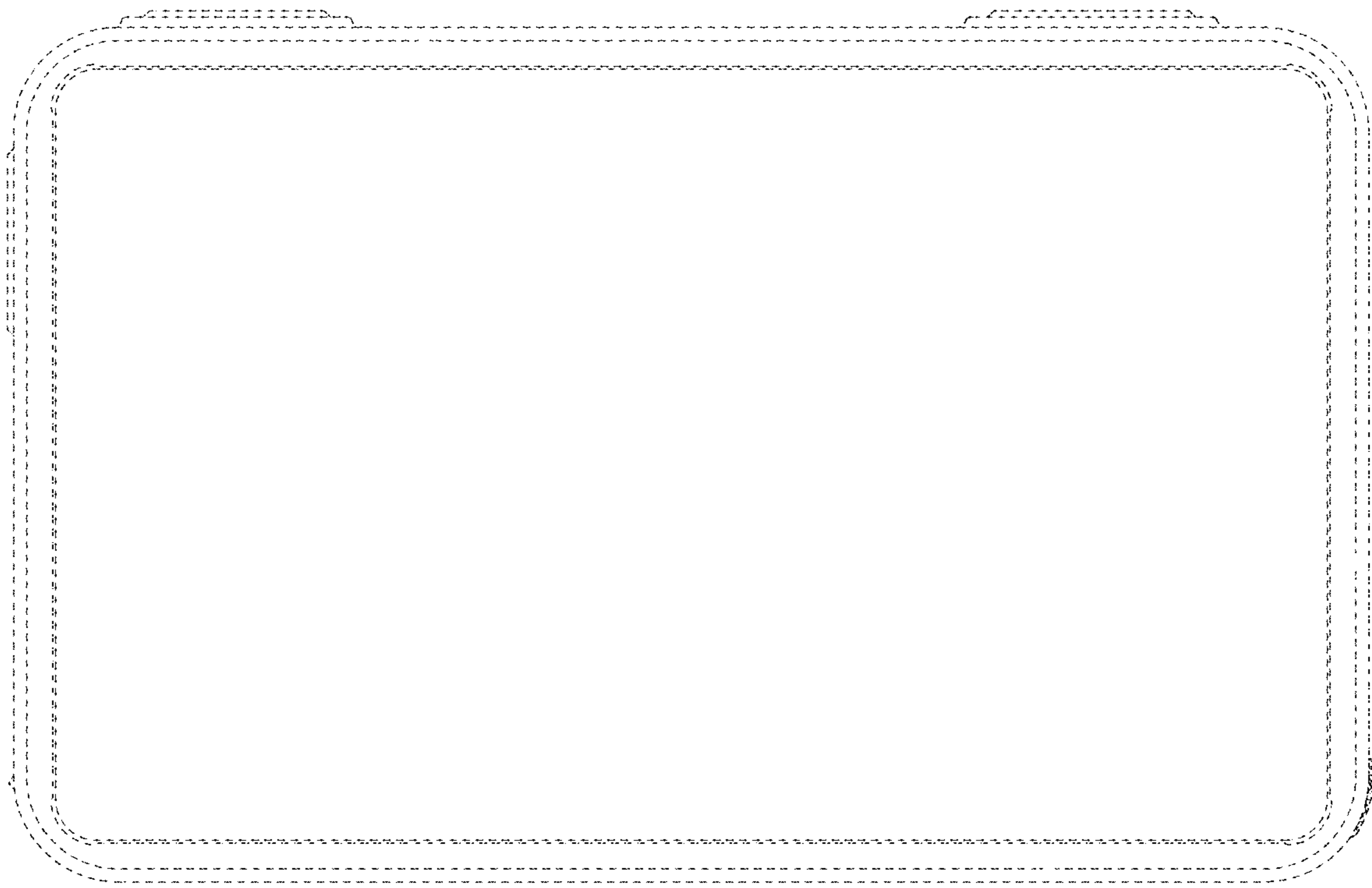


FIG. 4

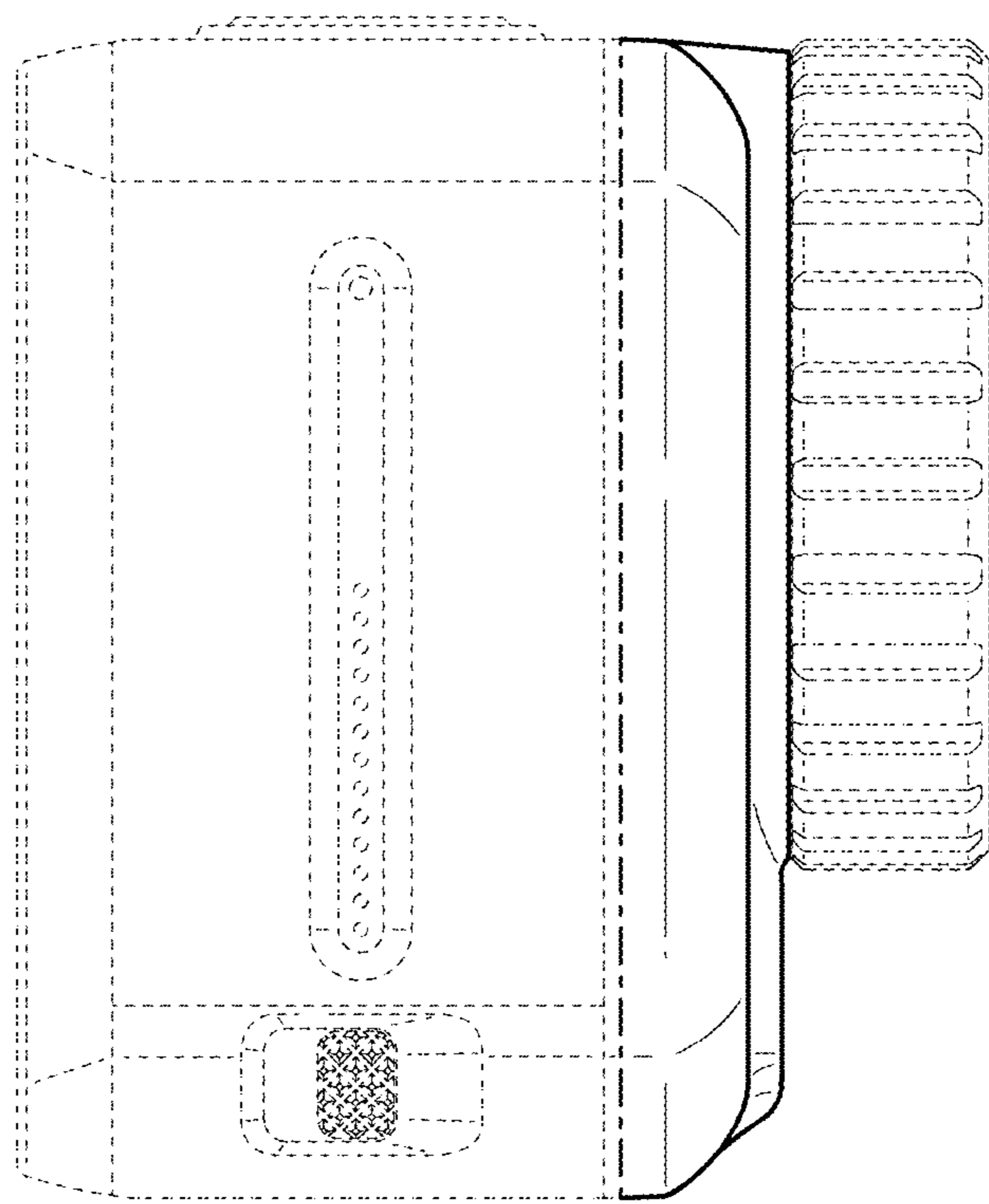


FIG. 5

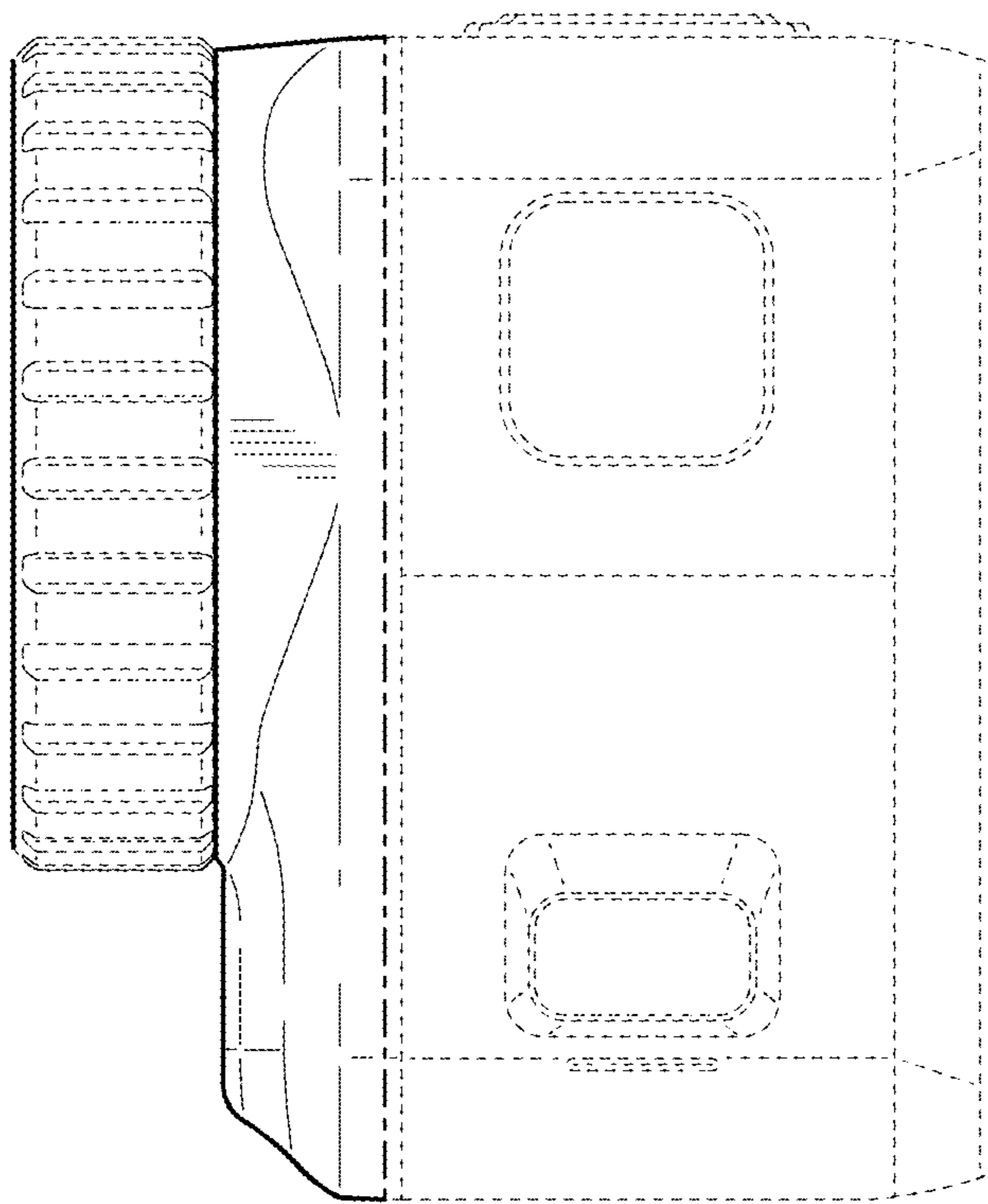


FIG. 6

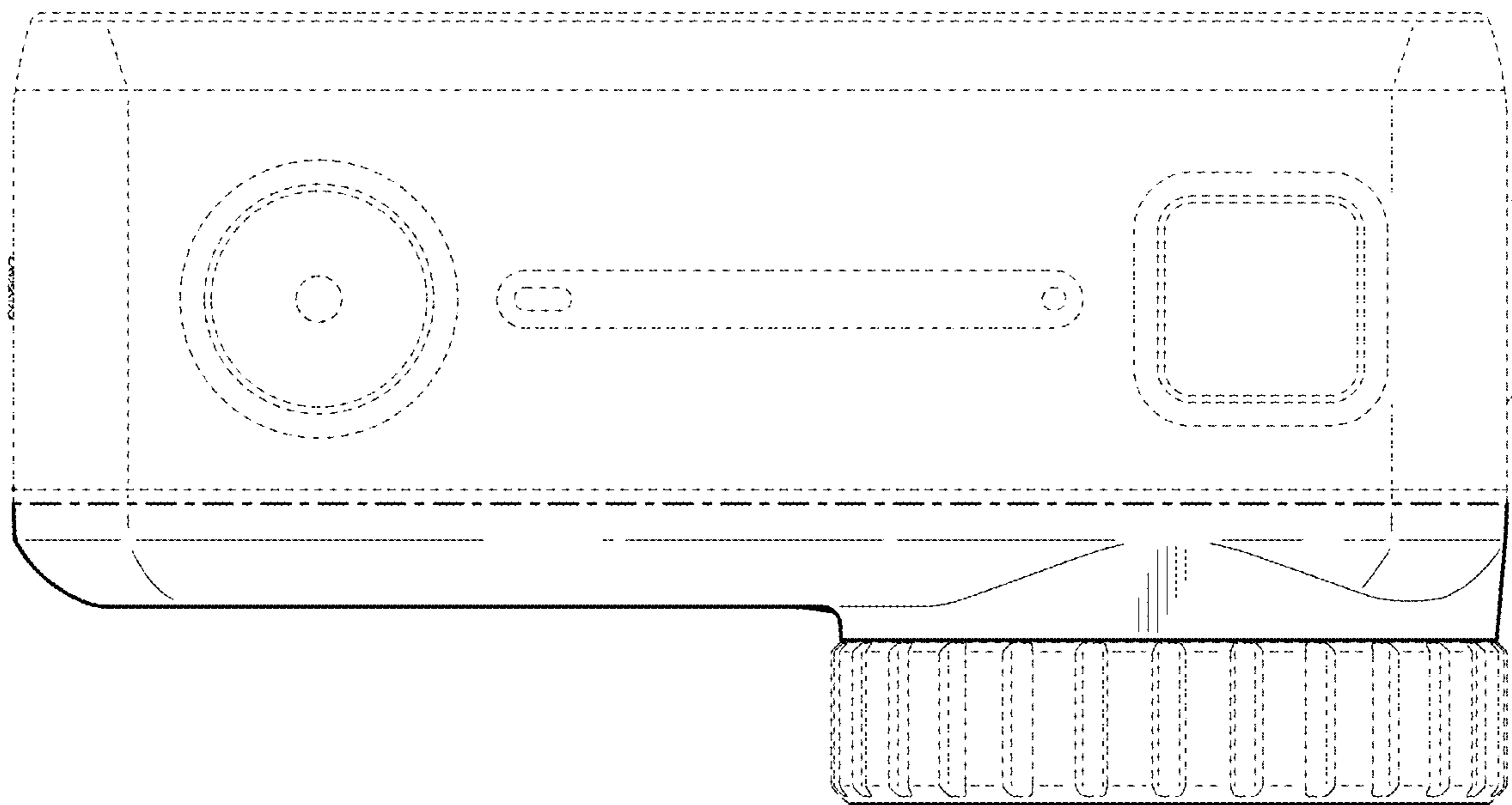


FIG. 7

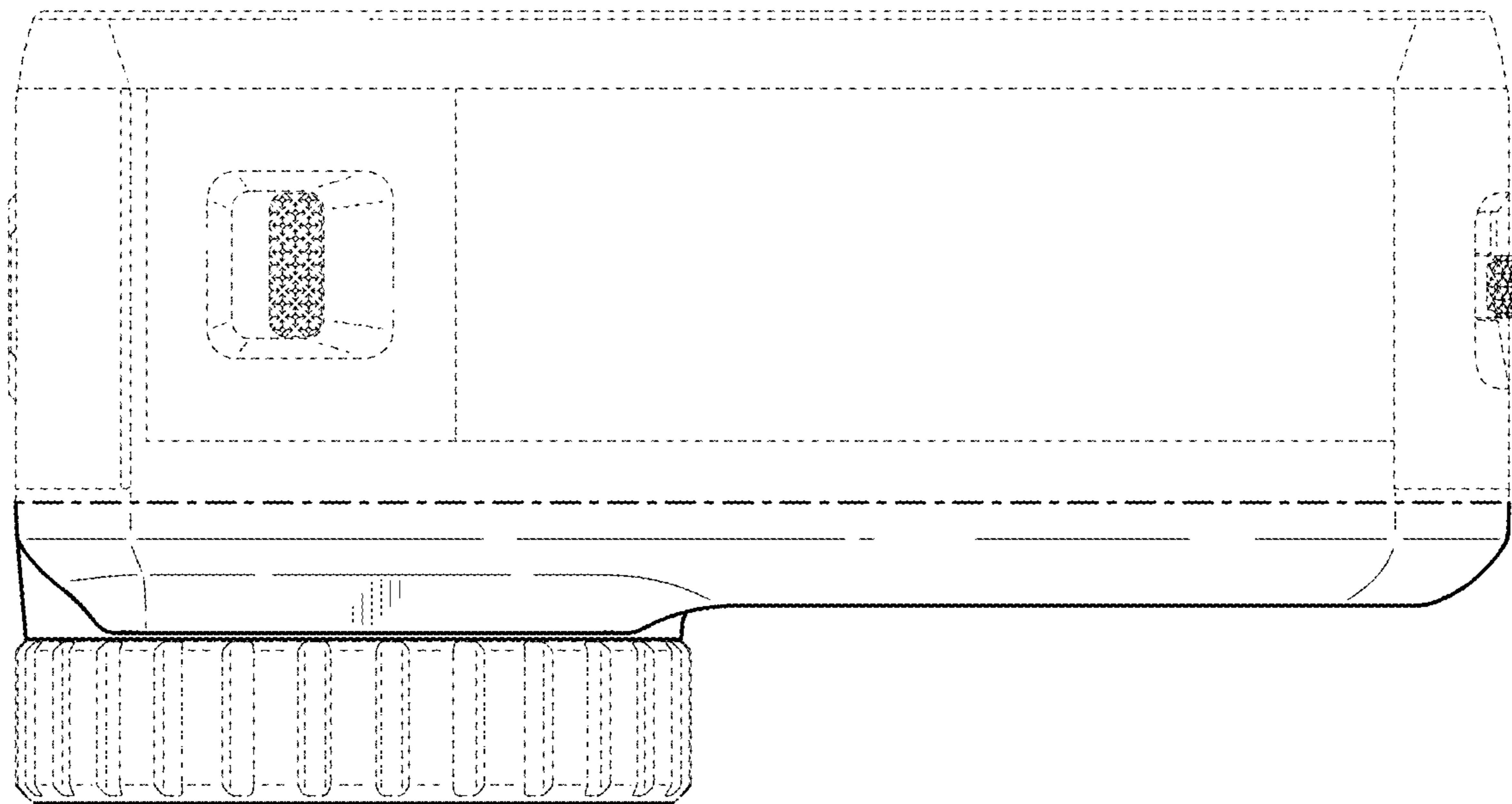


FIG. 8