



US00D897407S

(12) **United States Design Patent**
Ive et al.

(10) **Patent No.:** **US D897,407 S**

(45) **Date of Patent:** **** Sep. 29, 2020**

(54) **CAMERA**

(71) Applicants: **Jonathan P. Ive**, San Francisco, CA (US); **Marc A. Newson**, London (GB)

(72) Inventors: **Jonathan P. Ive**, San Francisco, CA (US); **Marc A. Newson**, London (GB)

(**) Term: **15 Years**

(21) Appl. No.: **29/700,545**

(22) Filed: **Aug. 2, 2019**

Related U.S. Application Data

(63) Continuation of application No. 29/664,331, filed on Sep. 24, 2018, now Pat. No. Des. 860,287, which is (Continued)

(51) **LOC (12) Cl.** **16-05**

(52) **U.S. Cl.**
USPC **D16/219**

(58) **Field of Classification Search**
USPC D16/200, 202–206, 208–209, 218, 219, D16/242; 348/373–376; 396/535, 396/539–541

(Continued)

(56) **References Cited**

U.S. PATENT DOCUMENTS

D359,299 S 6/1995 Moro et al.
D383,146 S 9/1997 Hashimoto et al.

(Continued)

OTHER PUBLICATIONS

Leica Camera AG, “Leica M Monochrom,” accessed at http://us.leica-camera.com/photography/m_system/m_monochrom/, accessed on Apr. 10, 2014, 2 pages.

(Continued)

Primary Examiner — Ramzi S Almatrahi

(74) *Attorney, Agent, or Firm* — Sterne, Kessler, Goldstein & Fox P.L.L.C.

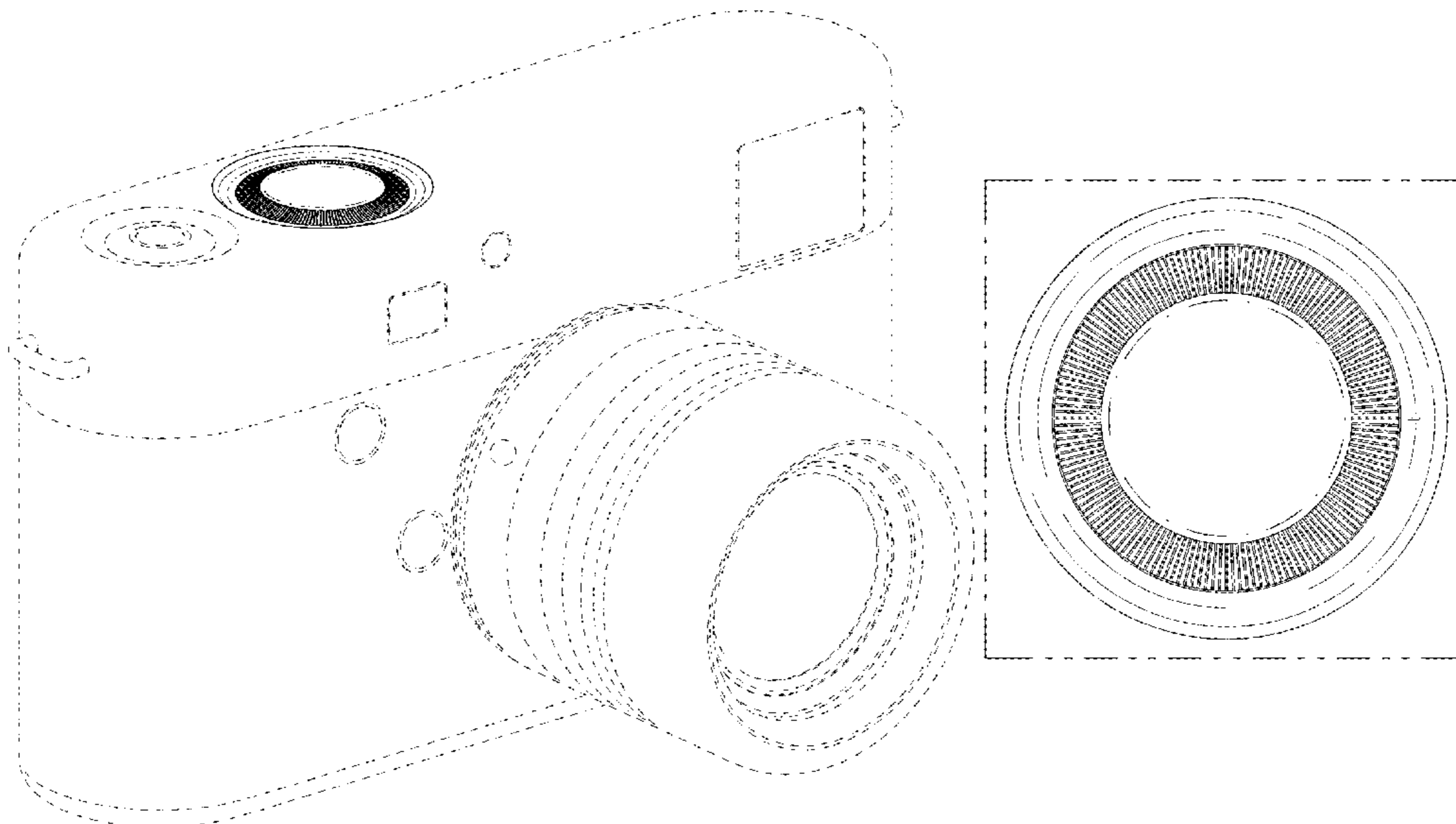
(57) **CLAIM**

The ornamental design for a camera, as shown and described.

DESCRIPTION

FIG. 1 is a top front perspective view of a first embodiment of a camera showing the claimed design; FIG. 2 is a front view thereof; FIG. 3 is a rear view thereof; FIG. 4 is a left side view thereof; FIG. 5 is a right side view thereof; FIG. 6 is a top view thereof; FIG. 7 is a bottom view thereof; FIG. 8 is an enlarged view of the area shown in dot-dot-dash lines in FIG. 6, for ease of illustration; FIG. 9 is a top front perspective view of a second embodiment of a camera showing the claimed design; FIG. 10 is a front view thereof; FIG. 11 is a rear view thereof; FIG. 12 is a left side view thereof; FIG. 13 is a right side view thereof; FIG. 14 is a top view thereof; FIG. 15 is a bottom view thereof; and, FIG. 16 is an enlarged view of the area shown in dot-dot-dash lines in FIG. 14, for ease of illustration. The gray and the textured pattern in FIGS. 22-28 represent the appearance of contrasting surfaces. The broken lines in the figures show portions of the camera that form no part of the claimed design. The dot-dash broken lines in the figures denote the boundary of the claim. The dot-dash broken lines and the areas within the dot-dash broken lines form no part of the claimed design. The dot-dot-dash broken lines encircling the enlarged portion of the design form no part of the claimed design.

1 Claim, 16 Drawing Sheets



Related U.S. Application Data

a continuation of application No. 29/533,637, filed on Jul. 20, 2015, now Pat. No. Des. 829,258, which is a continuation of application No. 29/469,267, filed on Oct. 8, 2013, now Pat. No. Des. 734,800.

(58) **Field of Classification Search**

CPC G03B 15/03; G03B 17/02; G03B 17/04; G03B 17/56; G03B 19/04; H04N 5/2251; H04N 5/2252; H04N 5/2253; H04N 5/2254; H04N 2101/00

See application file for complete search history.

(56) **References Cited**

U.S. PATENT DOCUMENTS

D383,147	S	9/1997	Moro et al.	
5,950,028	A	9/1999	Ito	
D463,471	S	9/2002	Tanaka	
D469,456	S *	1/2003	Nakamura	D16/202
D473,576	S	4/2003	Watanabe	
D479,547	S *	9/2003	Nagayama	D16/202
D524,344	S	7/2006	Imai	
D525,639	S *	7/2006	Nakamura	D16/202
D532,028	S	11/2006	Sakai	
D537,093	S *	2/2007	Nakamura	D16/202
D537,460	S *	2/2007	Nakamura	D16/202
D547,343	S	7/2007	Sato	
D550,736	S *	9/2007	Sakai	D16/202
D554,679	S	11/2007	Nagayama et al.	
D555,688	S *	11/2007	Yoo	D16/202
D556,802	S *	12/2007	Katayama	D16/202
D559,292	S *	1/2008	Imai	D16/202
D560,236	S	1/2008	Yoshida	
D560,237	S	1/2008	Yoshida	
D561,218	S	2/2008	Kim	
D572,285	S	7/2008	Kuroda	
D576,650	S	9/2008	Shibata et al.	
D582,954	S	12/2008	Imai	
7,524,118	B2	4/2009	Maeda	
D596,217	S	7/2009	Kim et al.	
D597,576	S *	8/2009	Kim	D16/202
D597,578	S	8/2009	Kim et al.	
D603,886	S *	11/2009	Sakai	D16/202
D613,324	S	4/2010	Sato	
D652,067	S	1/2012	Katsuraku et al.	
D689,914	S	9/2013	Uemachi et al.	
D692,044	S	10/2013	Uemachi et al.	
D695,328	S	12/2013	Sul	
D697,959	S *	1/2014	Imai	D16/202
D698,848	S	2/2014	Uemachi et al.	
D702,748	S *	4/2014	Muraki	D16/202
D721,751	S	1/2015	Fujita	
D722,332	S	2/2015	Kobayashi	

D726,238	S	4/2015	Izumi et al.
D727,386	S	4/2015	Kobayashi
D729,297	S	5/2015	Ikegame
D732,595	S	6/2015	Ive et al.
D734,800	S	7/2015	Ive et al.
D742,951	S	11/2015	Yanagisawa
D742,952	S	11/2015	Nakajima
D745,075	S	12/2015	Ive et al.
D753,749	S	4/2016	Zhu
D755,874	S	5/2016	Yang
D755,877	S	5/2016	Uemachi et al.
D758,467	S	6/2016	Zhang
D775,254	S	12/2016	Parfitt et al.
D777,232	S	1/2017	Lillquist et al.
D793,463	S	8/2017	Houin et al.
D795,947	S	8/2017	Chong
2007/0212062	A1	9/2007	Saiki et al.
2011/0181771	A1	7/2011	Hazama

OTHER PUBLICATIONS

Leica Camera AG, "Leica M," accessed at http://us.leica-camera.com/photography/m_system/m_new/, accessed on Apr. 10, 2014, 3 pages.

Leica Camera AG, "Leica M7," accessed at http://us.leica-camera.com/photography/m_system/m7/, accessed on Apr. 10, 2014, 2 pages.

Leica Camera AG, "The Leica M9 and M9-P," accessed at http://us.leica-camera.com/photography/m_system/m9/, accessed on Apr. 10, 2014, 2 pages.

Leica Camera AG, "Leica M9-P 'Edition Hermes,'" accessed at http://us.leica-camera.com/photography/special_editions/m9_edition_hermes/, accessed on Apr. 10, 2014, 2 pages.

Leica Camera AG, "Leica M-E," accessed at http://us.leica-camera.com/photography/m_system/m-e/, accessed on Apr. 10, 2014, 2 pages.

Leica Camera AG, "Leica MP," accessed at http://us.leica-camera.com/photography/m_system/mp/, accessed on Apr. 10, 2014, 1 page.

Leica Camera AG, "X a la carte," accessed at http://us.leica-camera.com/photography/compact_cameras_x_a_la_carte/, accessed on Apr. 10, 2014, 2 pages.

Leica Camera AG, "Leica X2 Edition Paul Smith," accessed at http://us.leica-camera.com/compact_cameras_x2-edition_paul_smith/, accessed on Apr. 10, 2014, 2 pages.

Leica Camera AG, "Leica X2," accessed at http://us.leica-camera.com/photography/compact_cameras/x2/, accessed on Apr. 10, 2014, 2 pages.

Crisp, Simon, "Leica reveals the Leica M and the stripped back M-E," accessed at <http://vwww.gizmag.com/leica-m-and-m-e-24247/>, dated Sep. 23, 2012, 6 pages.

* cited by examiner

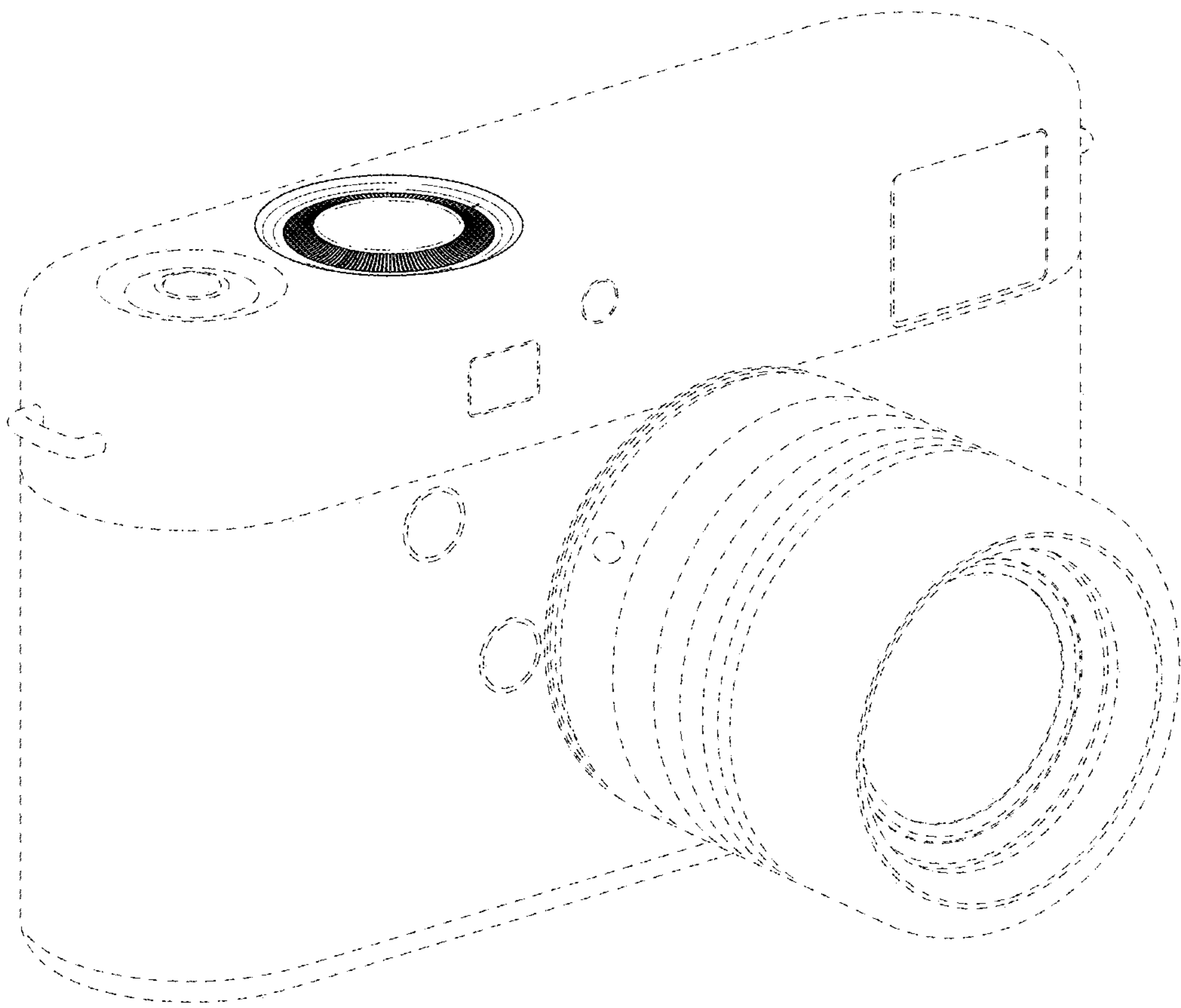


FIG. 1

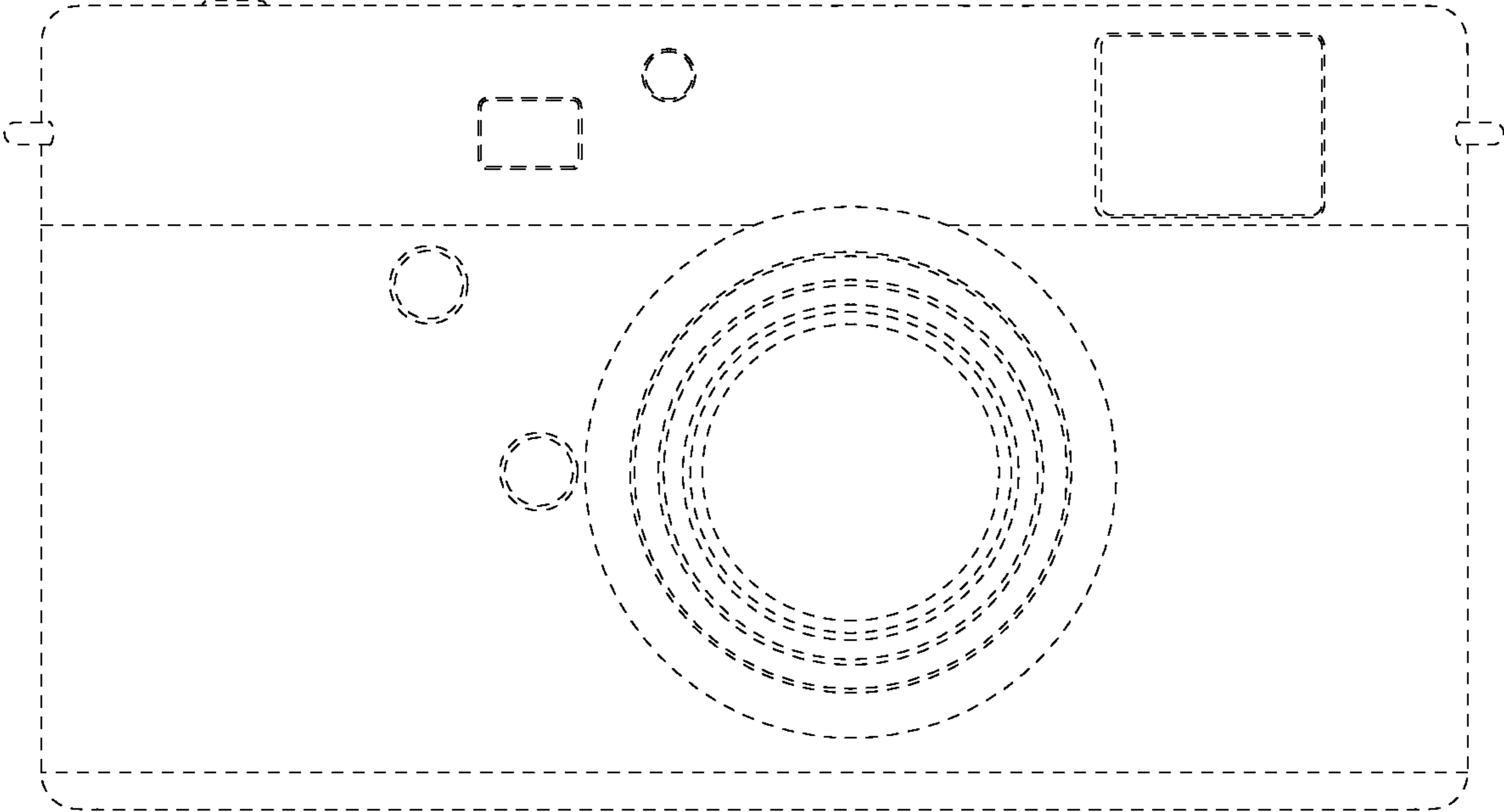


FIG. 2

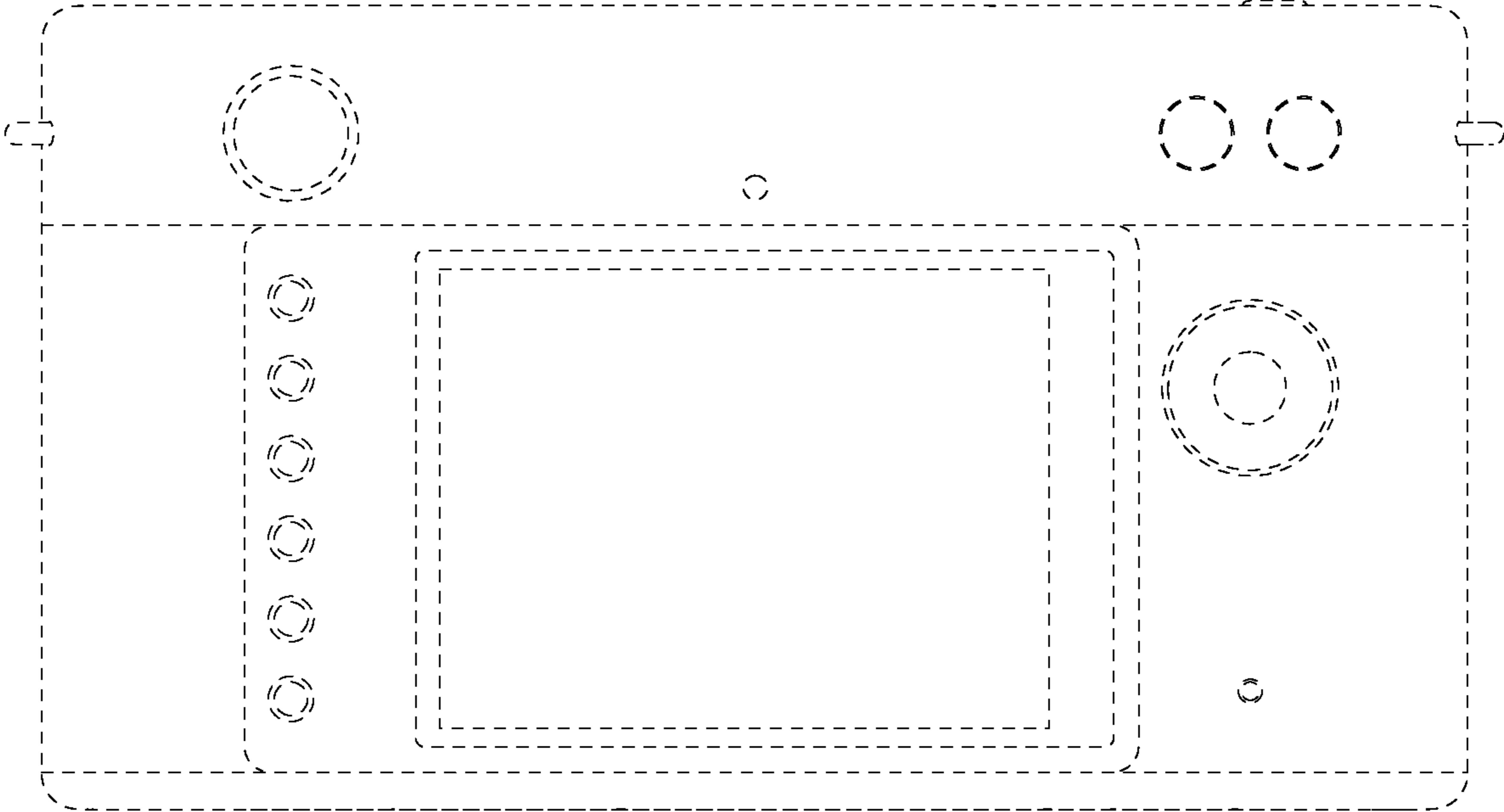


FIG. 3

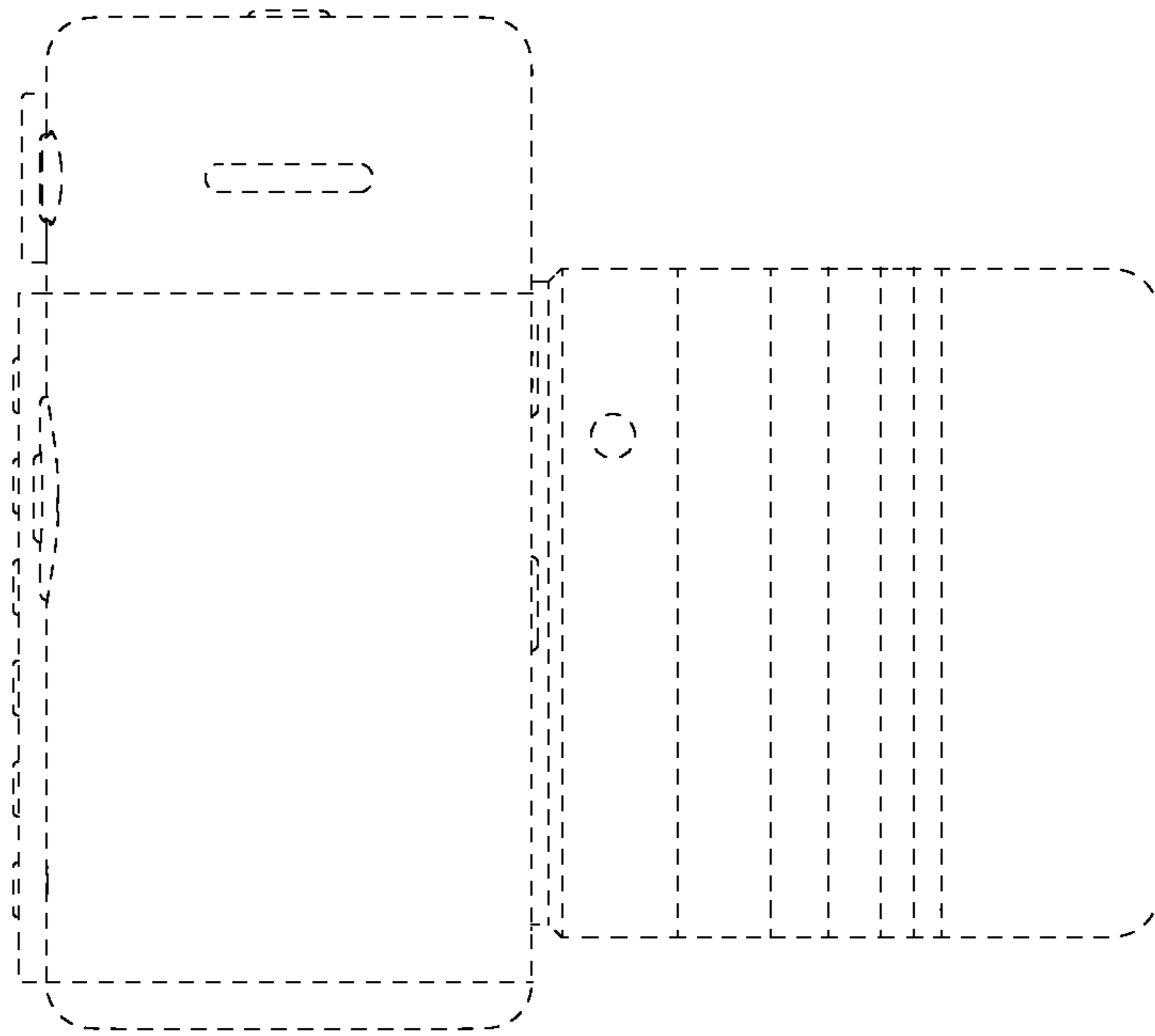


FIG. 4

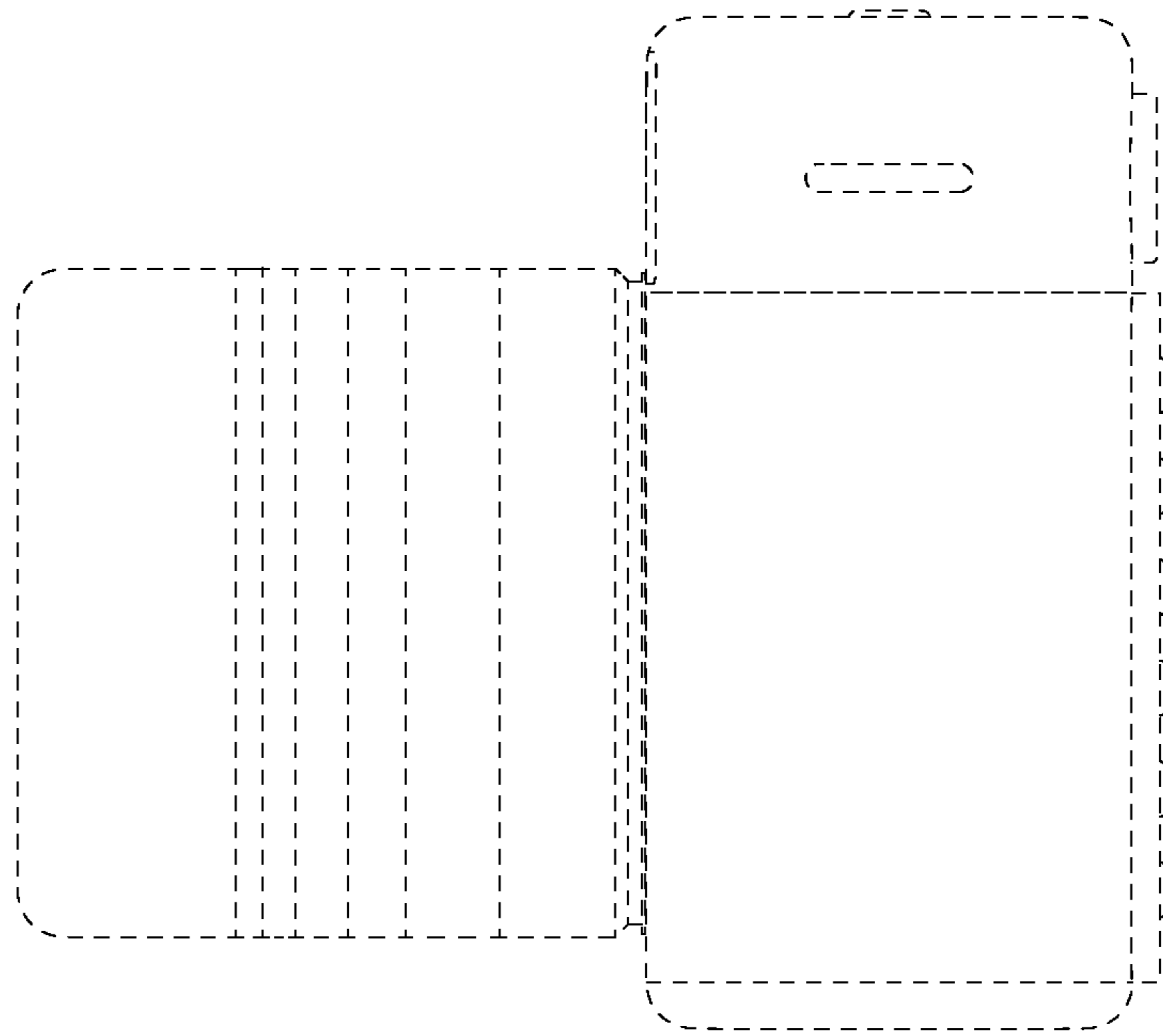


FIG. 5

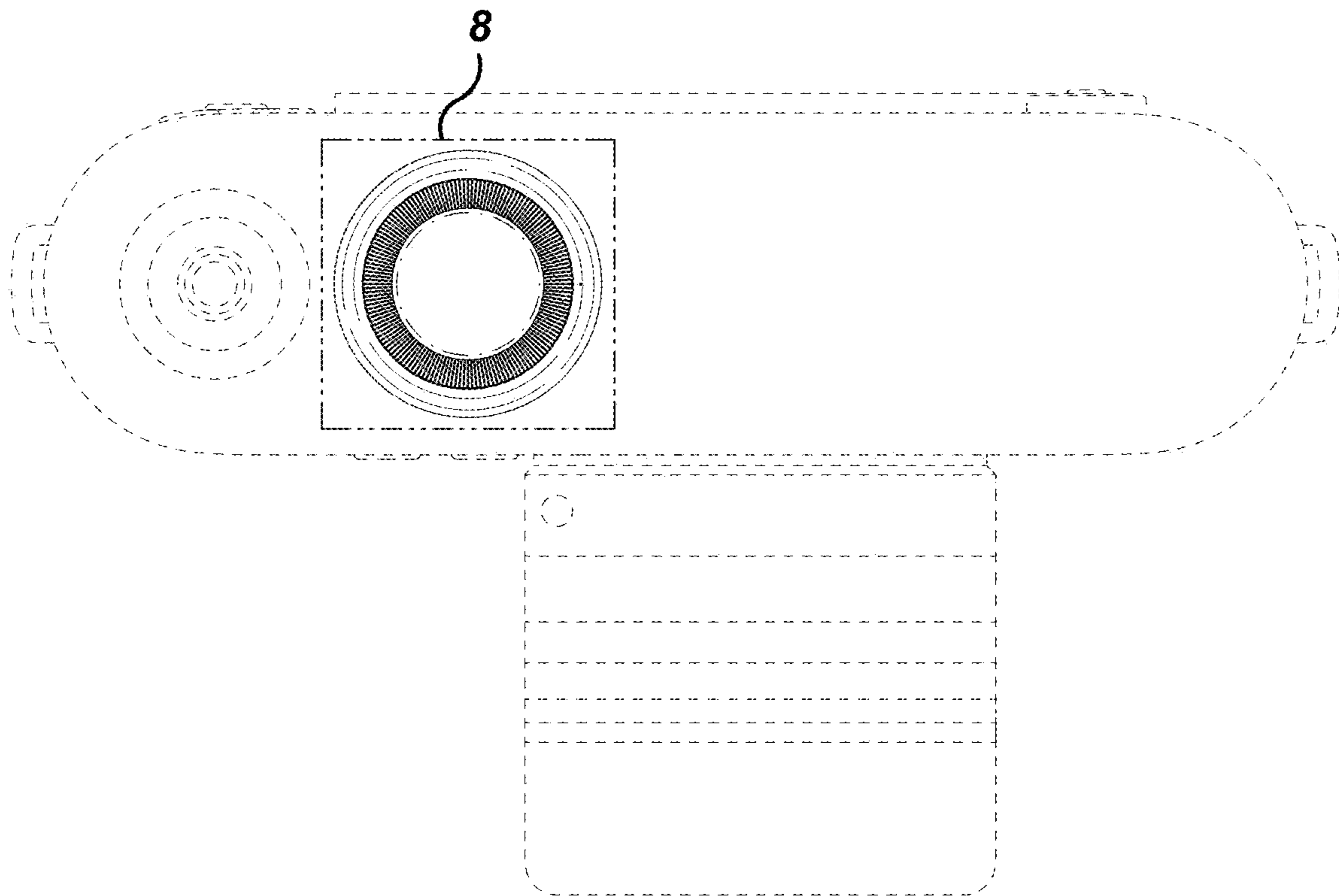


FIG. 6

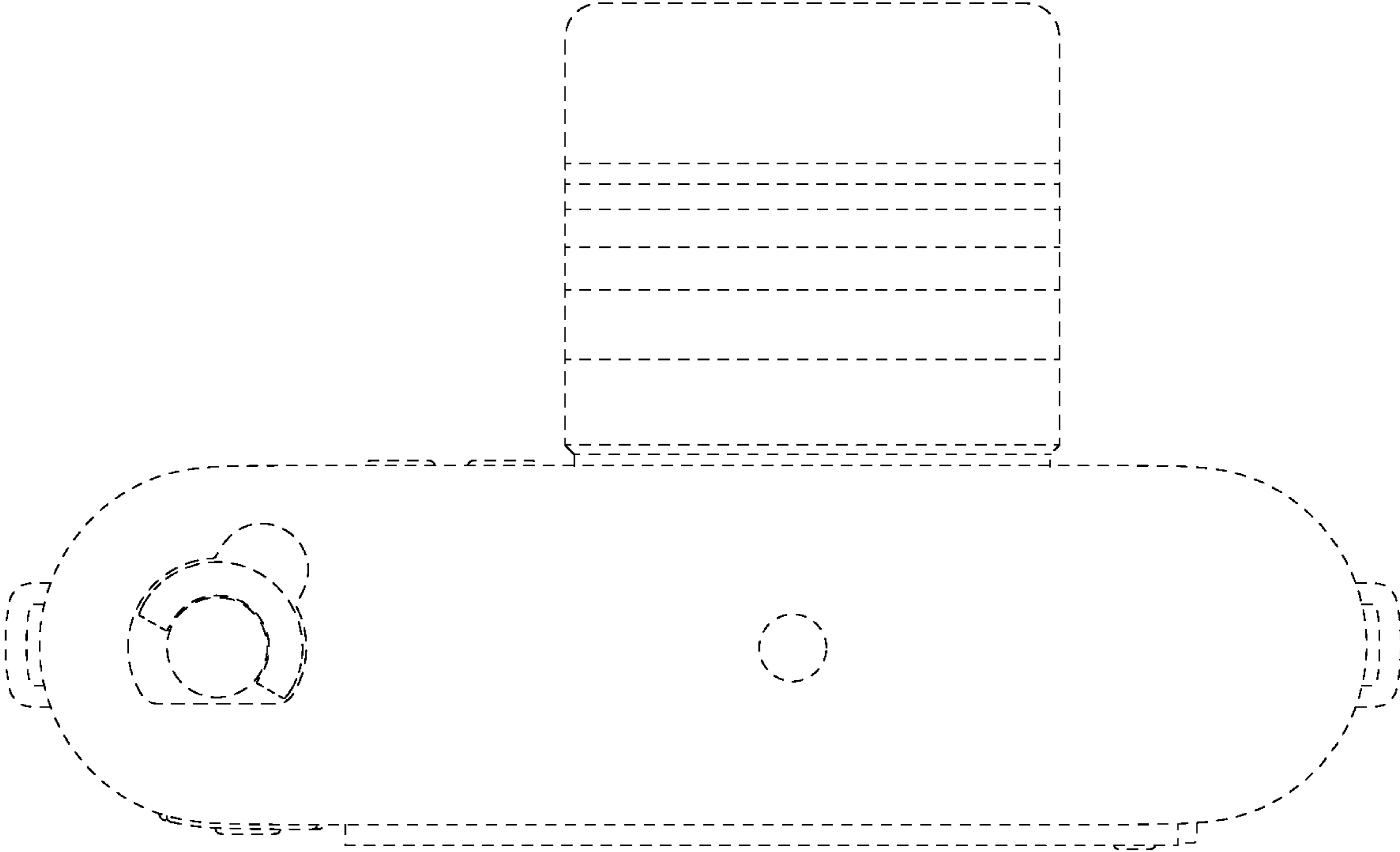


FIG. 7

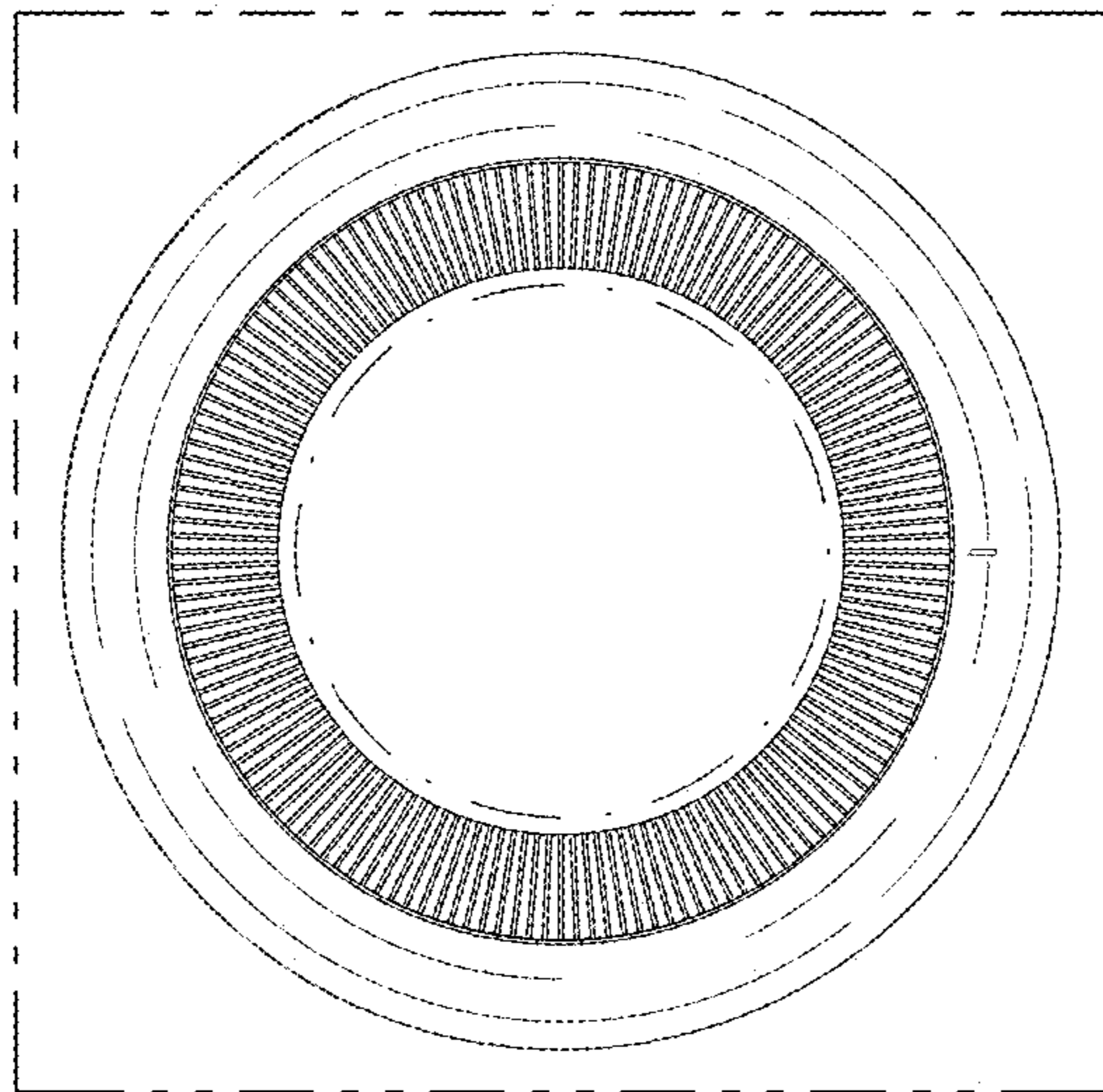


FIG. 8

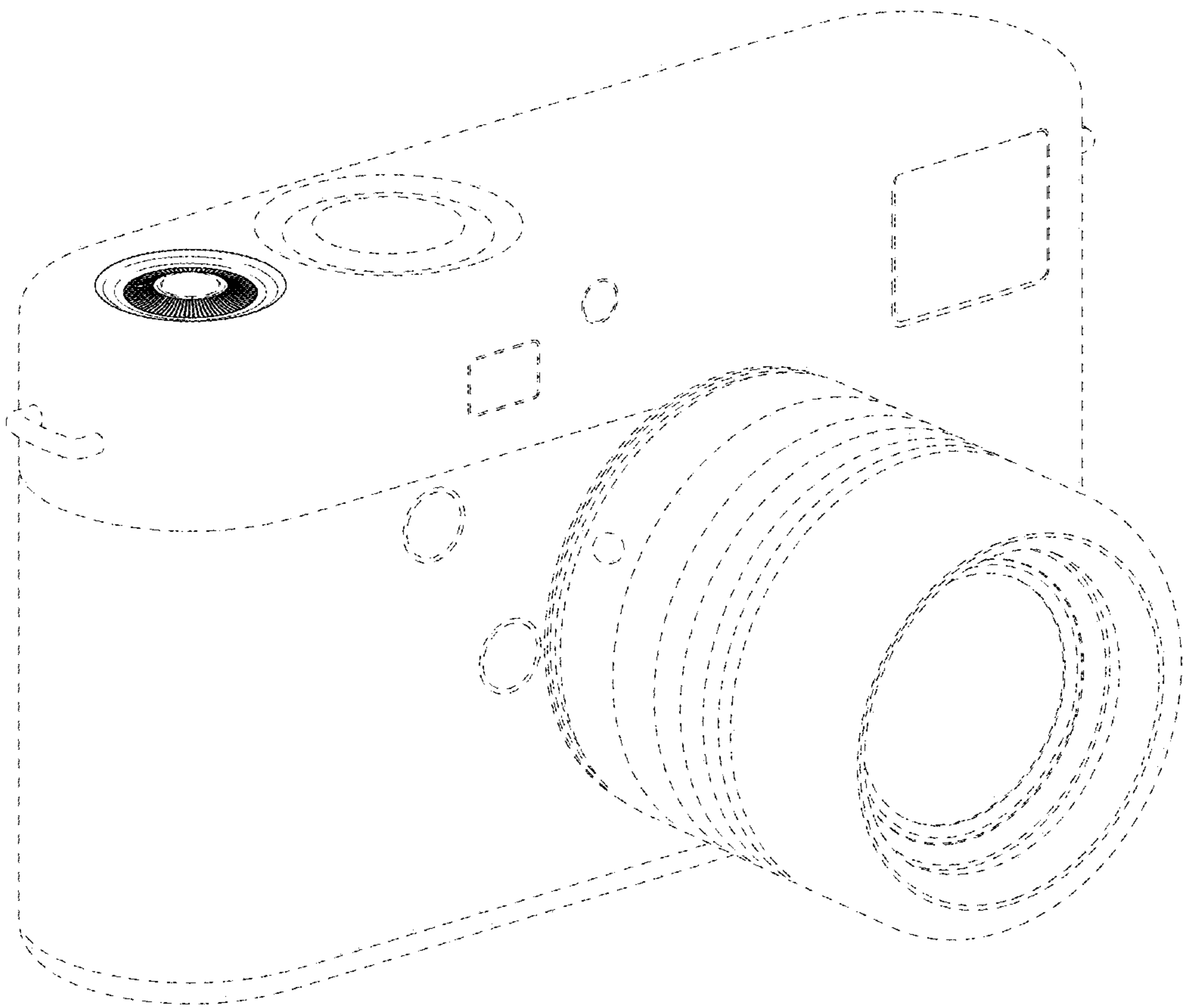


FIG. 9

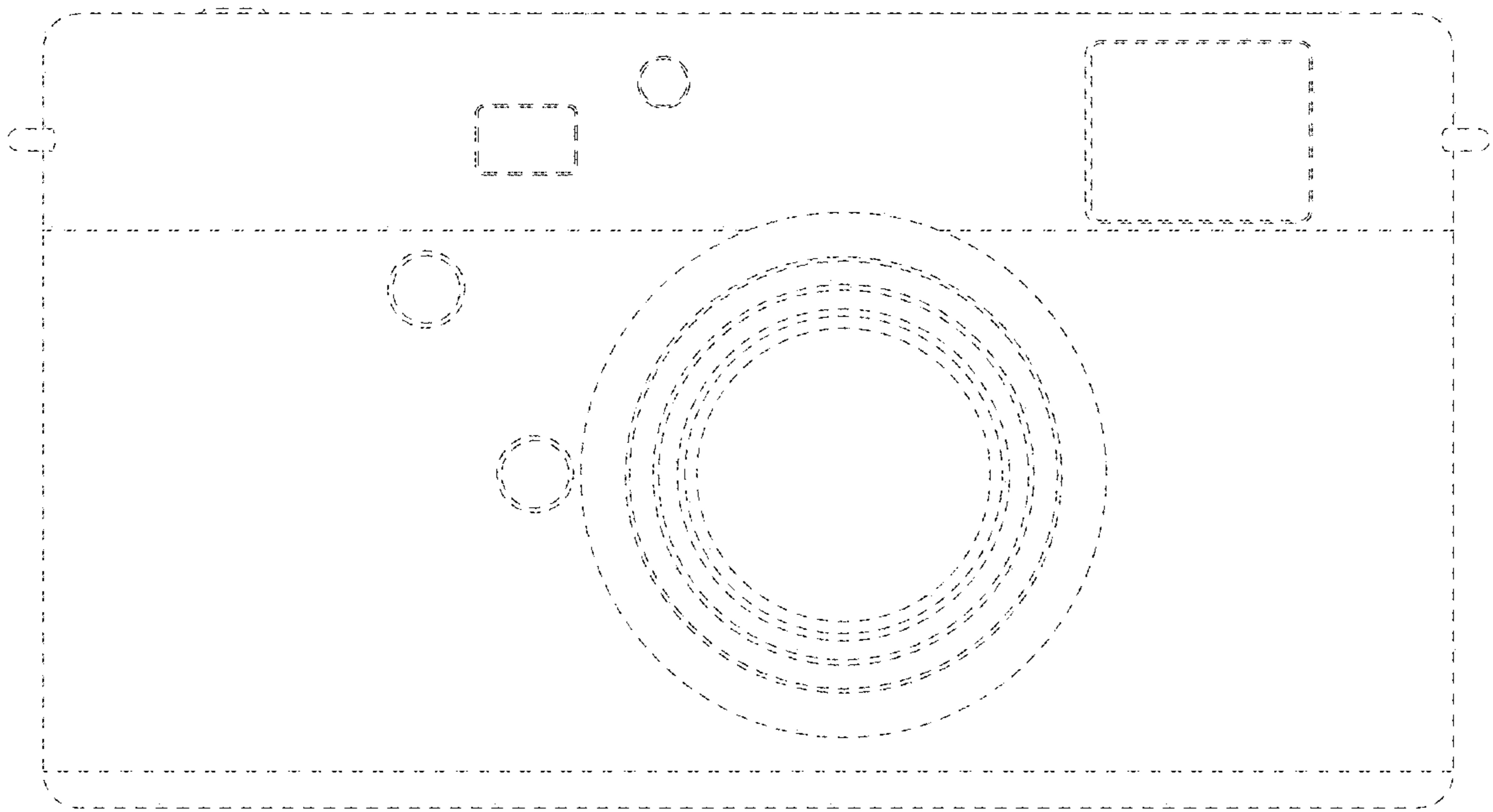


FIG. 10

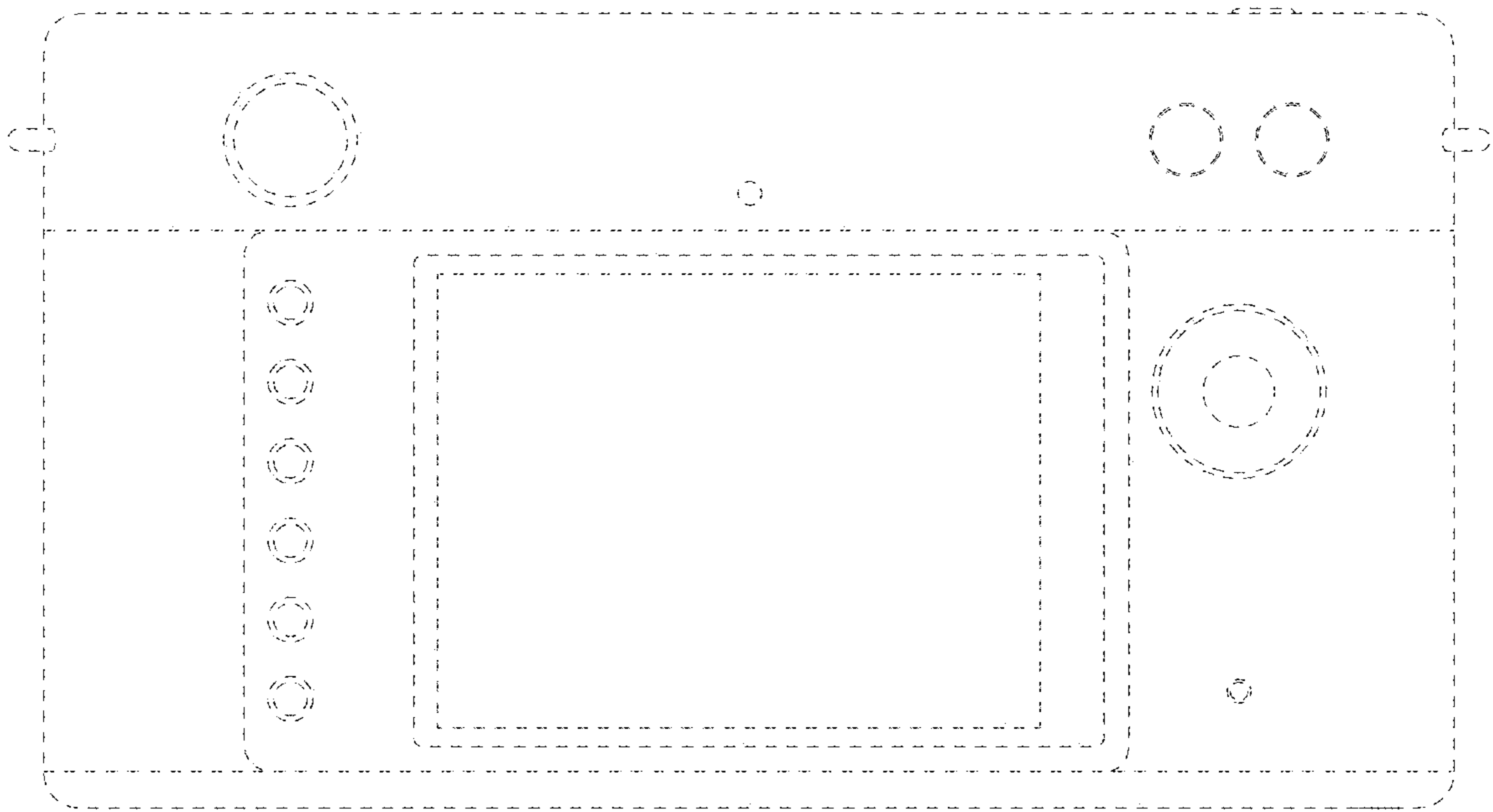


FIG. 11

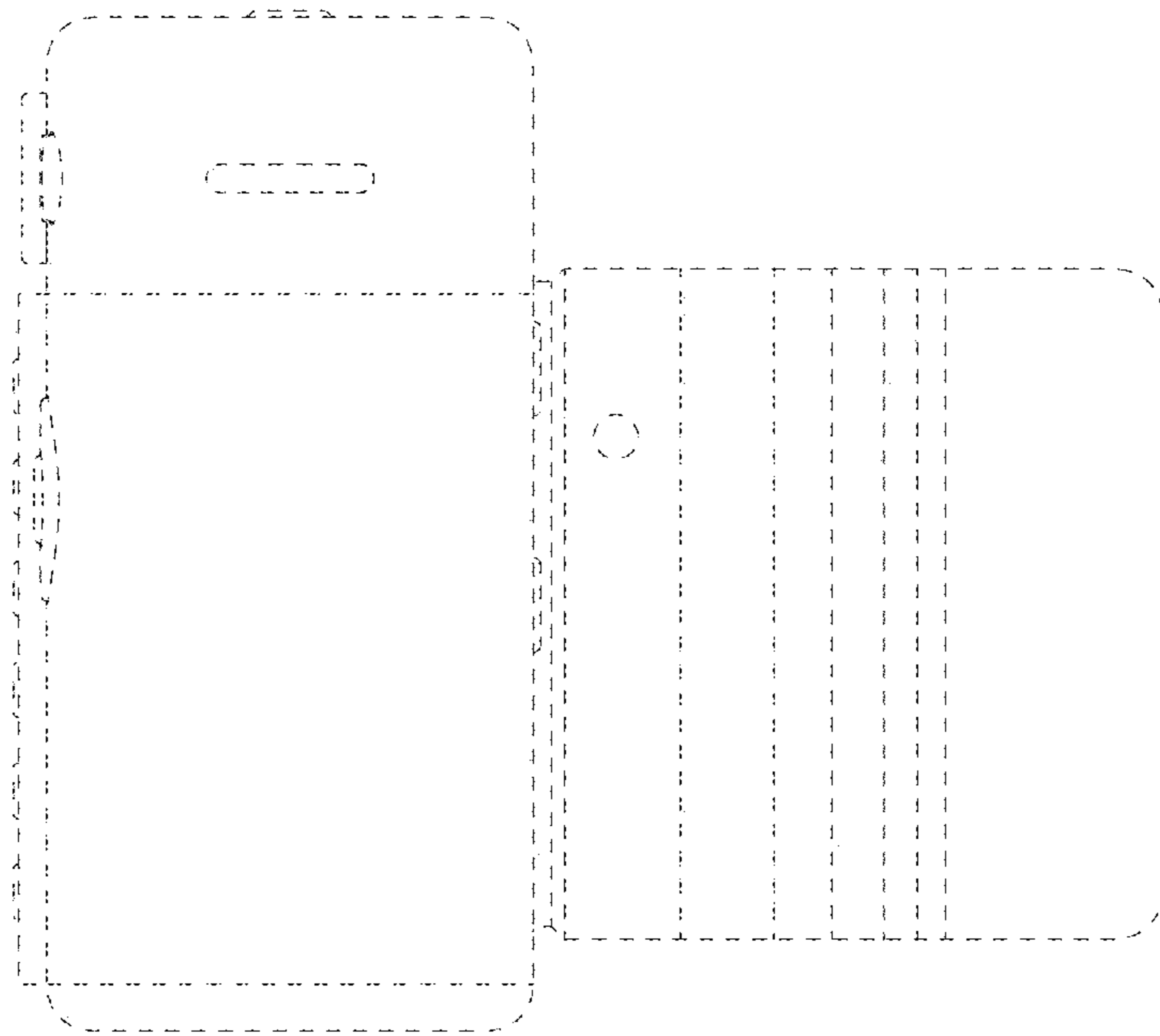


FIG. 12

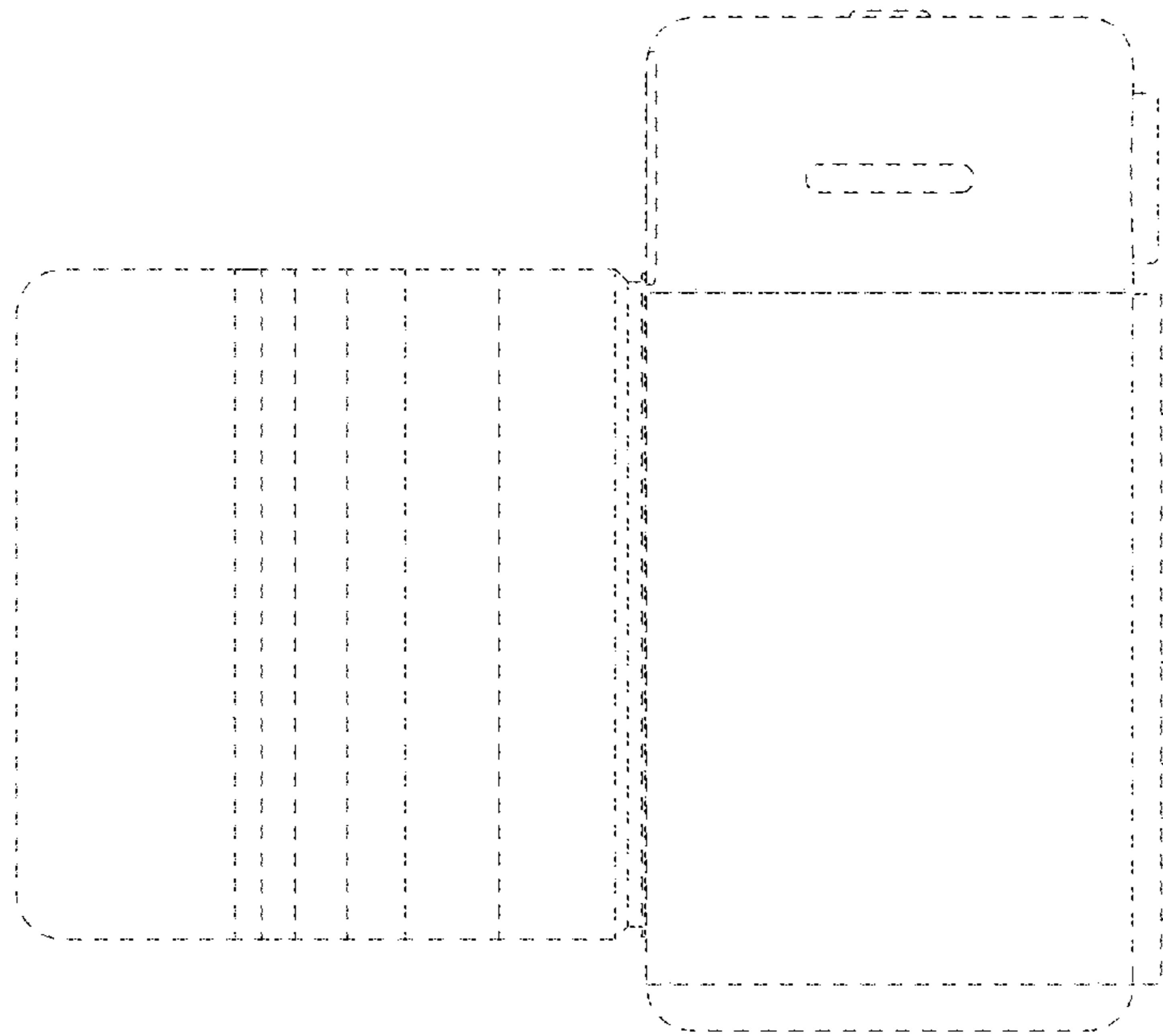


FIG. 13

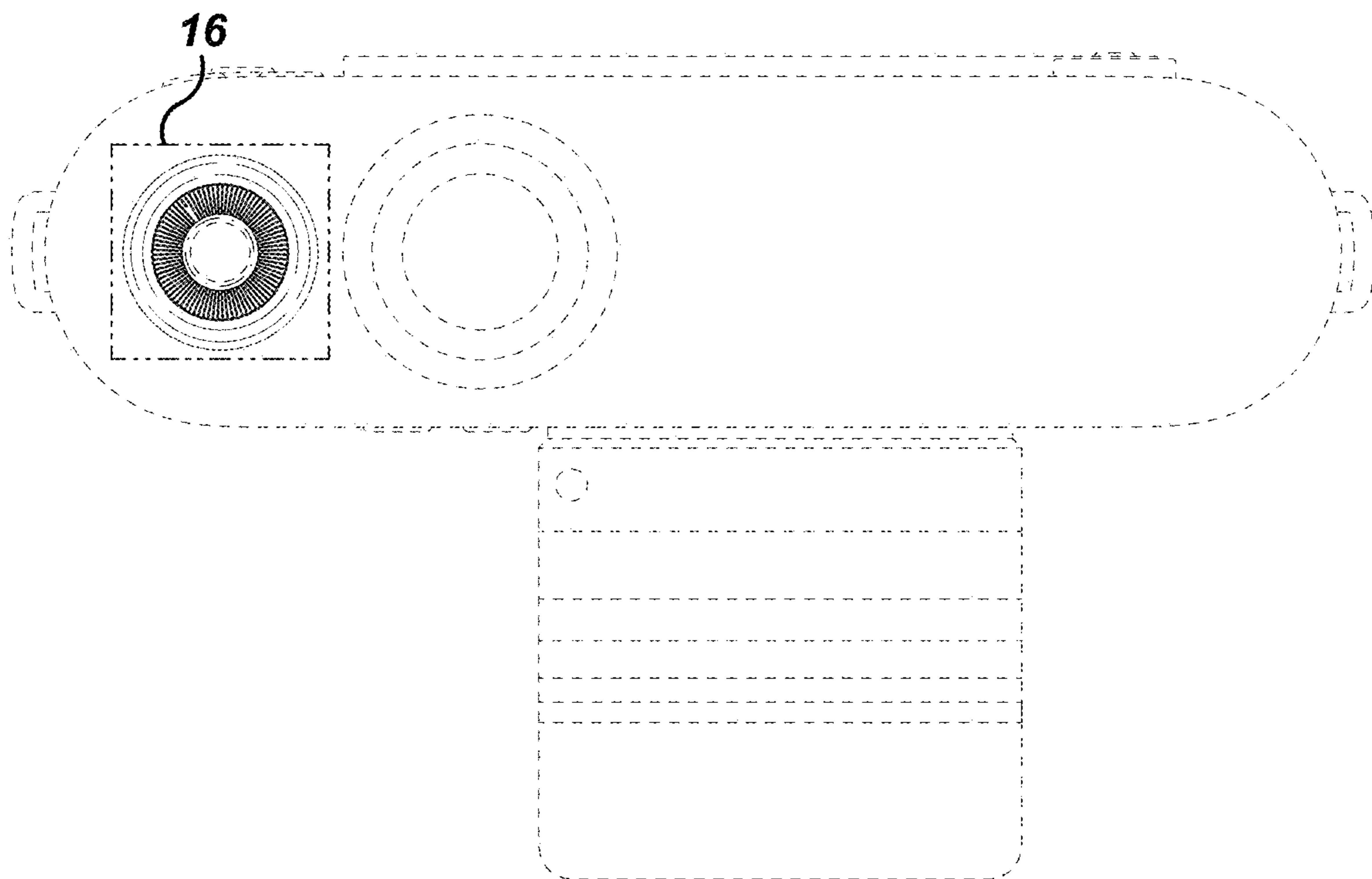


FIG. 14

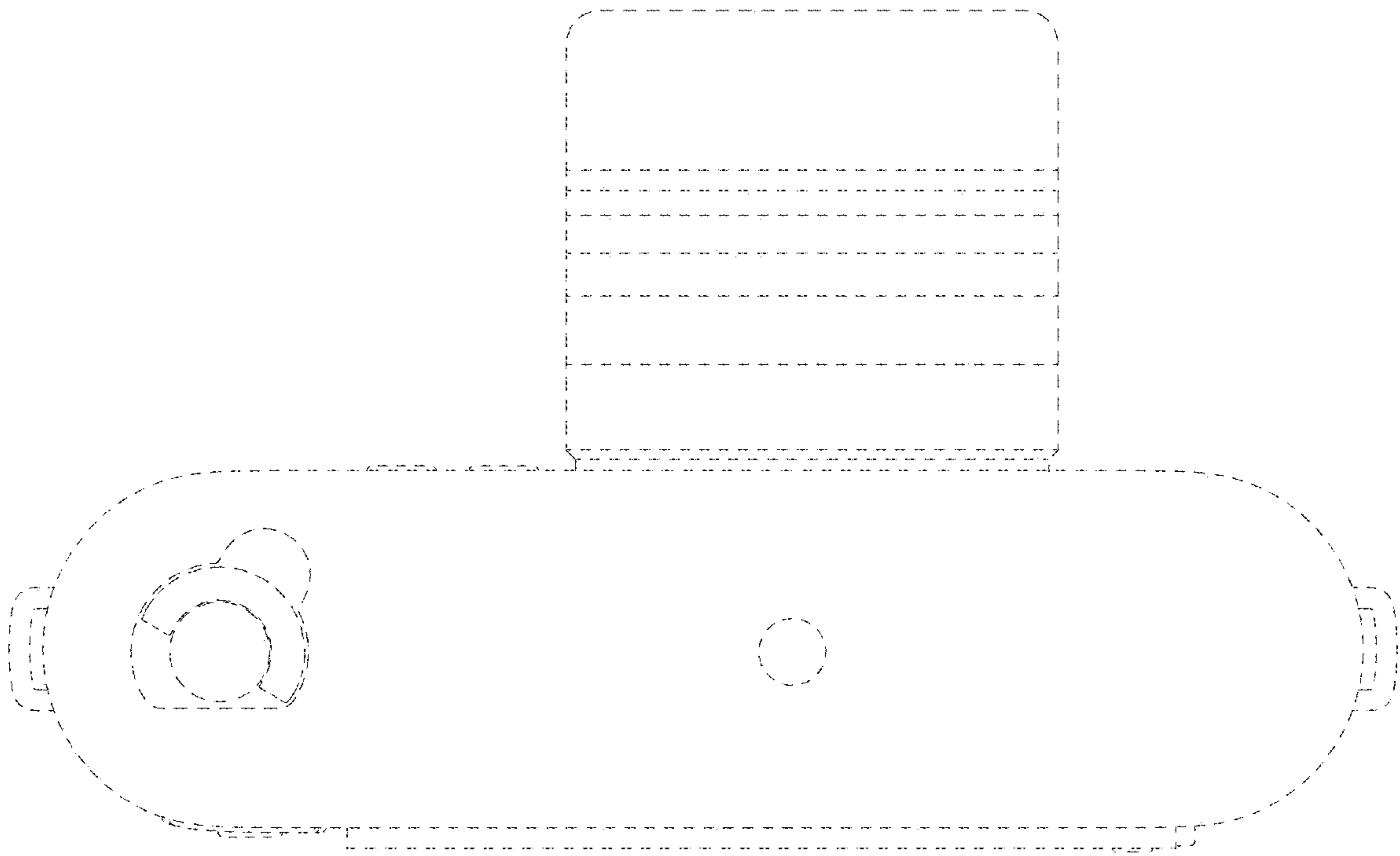


FIG. 15

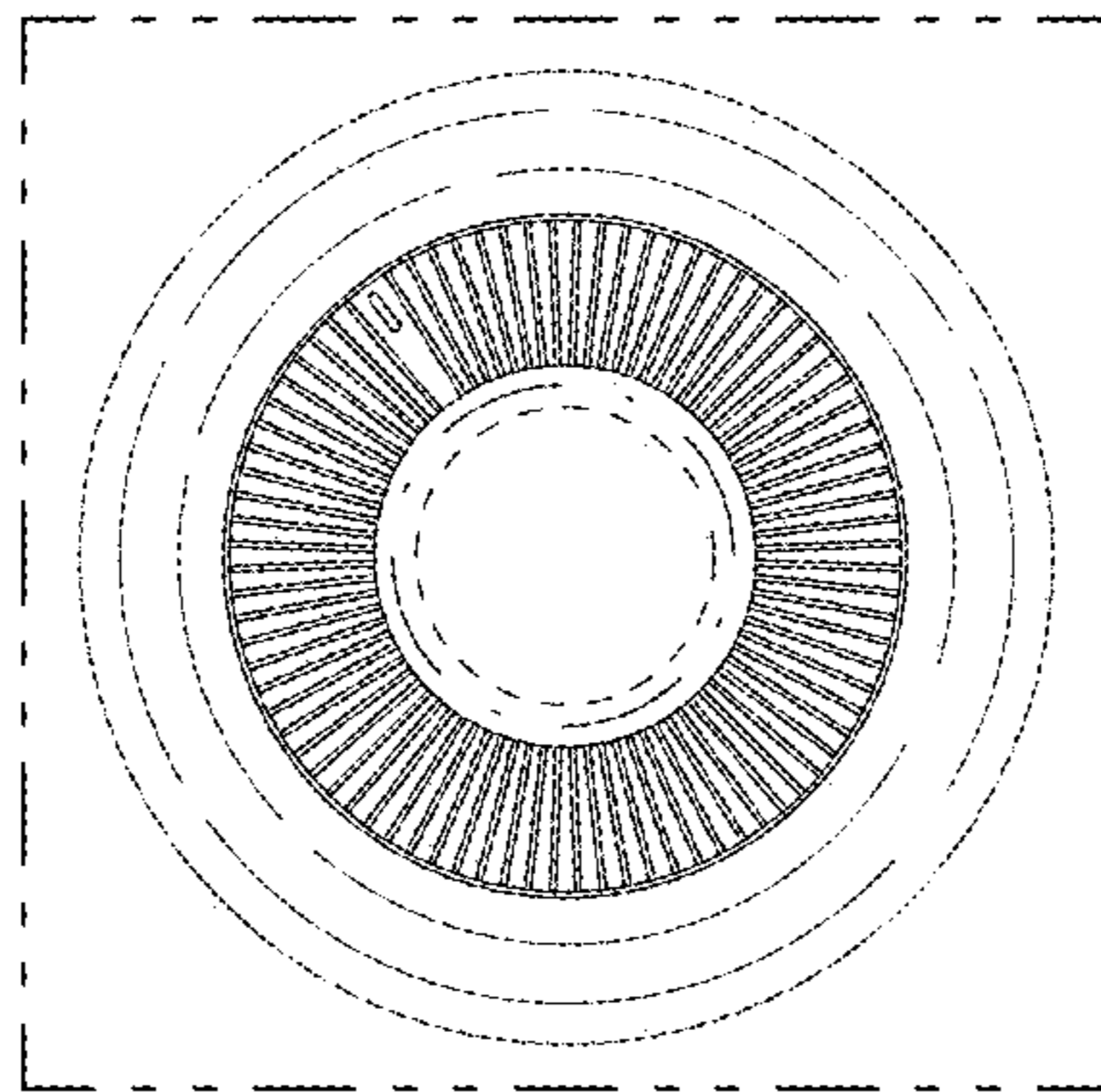


FIG. 16

UNITED STATES PATENT AND TRADEMARK OFFICE
CERTIFICATE OF CORRECTION

PATENT NO. : D897,407 S
APPLICATION NO. : 29/700545
DATED : September 29, 2020
INVENTOR(S) : Ive et al.

Page 1 of 1

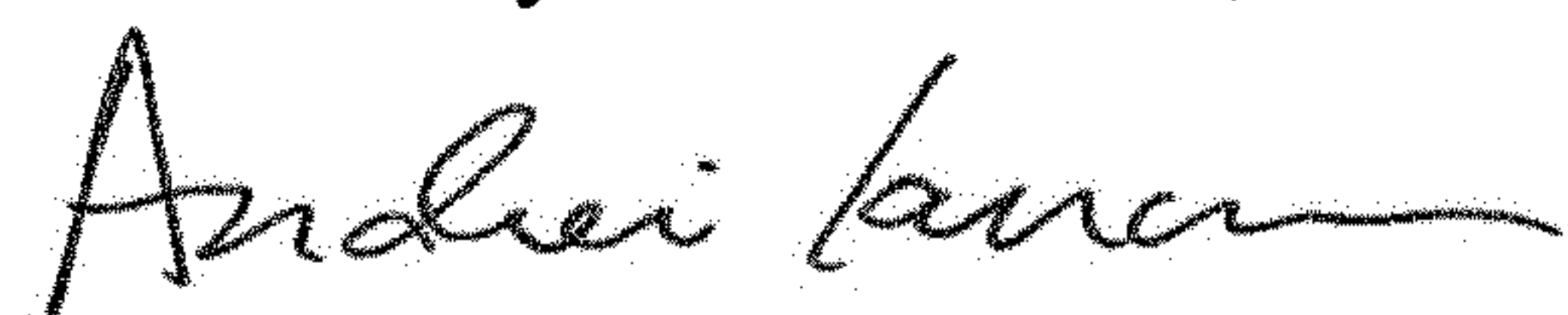
It is certified that error appears in the above-identified patent and that said Letters Patent is hereby corrected as shown below:

On the Title Page

In the "Description" item (57), please delete:

"The gray and the textures pattern in FIGS. 22-28 represent the appearance of contrasting surfaces."

Signed and Sealed this
Third Day of November, 2020



Andrei Iancu
Director of the United States Patent and Trademark Office