



US00D897406S

(12) **United States Design Patent**  
**Ikegame**

(10) **Patent No.:** **US D897,406 S**

(45) **Date of Patent:** **\*\* Sep. 29, 2020**

(54) **DIGITAL CAMERA**

(71) Applicant: **FUJIFILM Corporation**, Tokyo (JP)

(72) Inventor: **Haruka Ikegame**, Saitama (JP)

(73) Assignee: **FUJIFILM Corporation**, Tokyo (JP)

(\*\*) Term: **15 Years**

(21) Appl. No.: **29/657,935**

(22) Filed: **Jul. 26, 2018**

(30) **Foreign Application Priority Data**

Jan. 31, 2018 (JP) ..... 2018-001913

(51) **LOC (12) Cl.** ..... **16-05**

(52) **U.S. Cl.**  
USPC ..... **D16/219**

(58) **Field of Classification Search**  
USPC ..... D16/200, 202-205, 208, 209, 218, 219;  
348/373-376; 396/535, 538-541  
CPC ..... G03B 17/02; G03B 19/04; G03B 17/56;  
G03B 17/04; G03B 15/03; G03B 15/05;  
H04N 5/2251; H04N 5/2252; H04N  
5/2253; H04N 5/2254; H04N 2007/145;  
H04N 7/141; H04N 7/142; H04N 7/147;  
H04N 7/148; H04N 7/15; H04N 7/152  
See application file for complete search history.

(56) **References Cited**

**U.S. PATENT DOCUMENTS**

D609,730 S *	2/2010	Nakamura	.....	D16/202
D667,863 S *	9/2012	Yasutomi	.....	D16/219
D681,710 S *	5/2013	Sato	.....	D16/200
D698,839 S *	2/2014	Sato	.....	D16/200
D716,862 S *	11/2014	Hoshi	.....	D16/202
D745,915 S *	12/2015	Ham	.....	D16/219
D789,434 S *	6/2017	Abe	.....	D16/202
D797,837 S *	9/2017	Osada	.....	D16/219

D807,941 S *	1/2018	Kamei	.....	D16/202
D821,475 S *	6/2018	Ikegame	.....	D16/200
D865,030 S *	10/2019	Takagi	.....	D16/219

(Continued)

**FOREIGN PATENT DOCUMENTS**

JP 2015-34874 A 2/2015

**OTHER PUBLICATIONS**

Japanese Office Action, dated Jul. 10, 2018 for corresponding Japanese Application No. 2018-001913, with an English machine translation.

*Primary Examiner* — Ramzi S Almatrahi

(74) *Attorney, Agent, or Firm* — Birch, Stewart, Kolasch & Birch, LLP

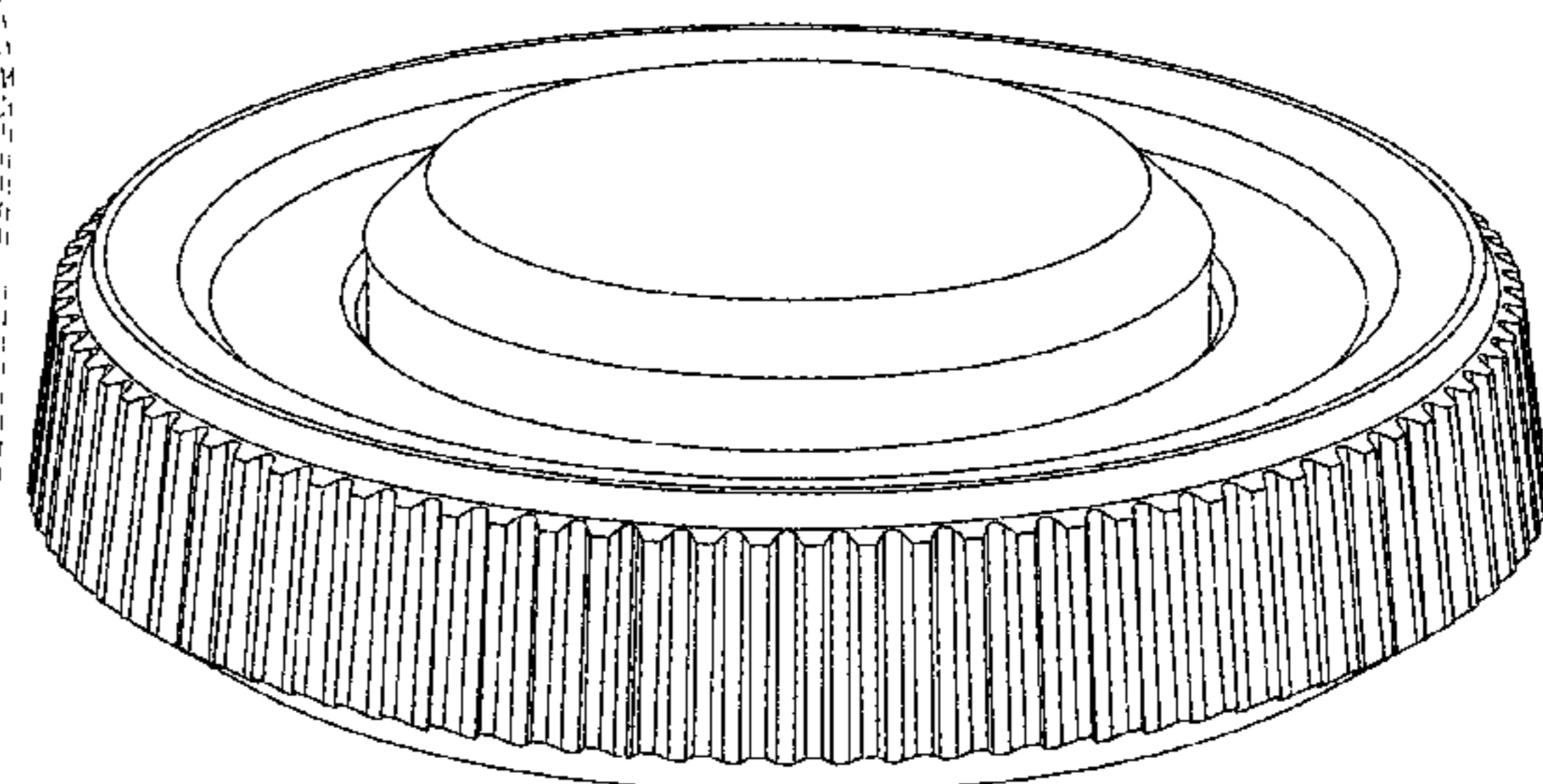
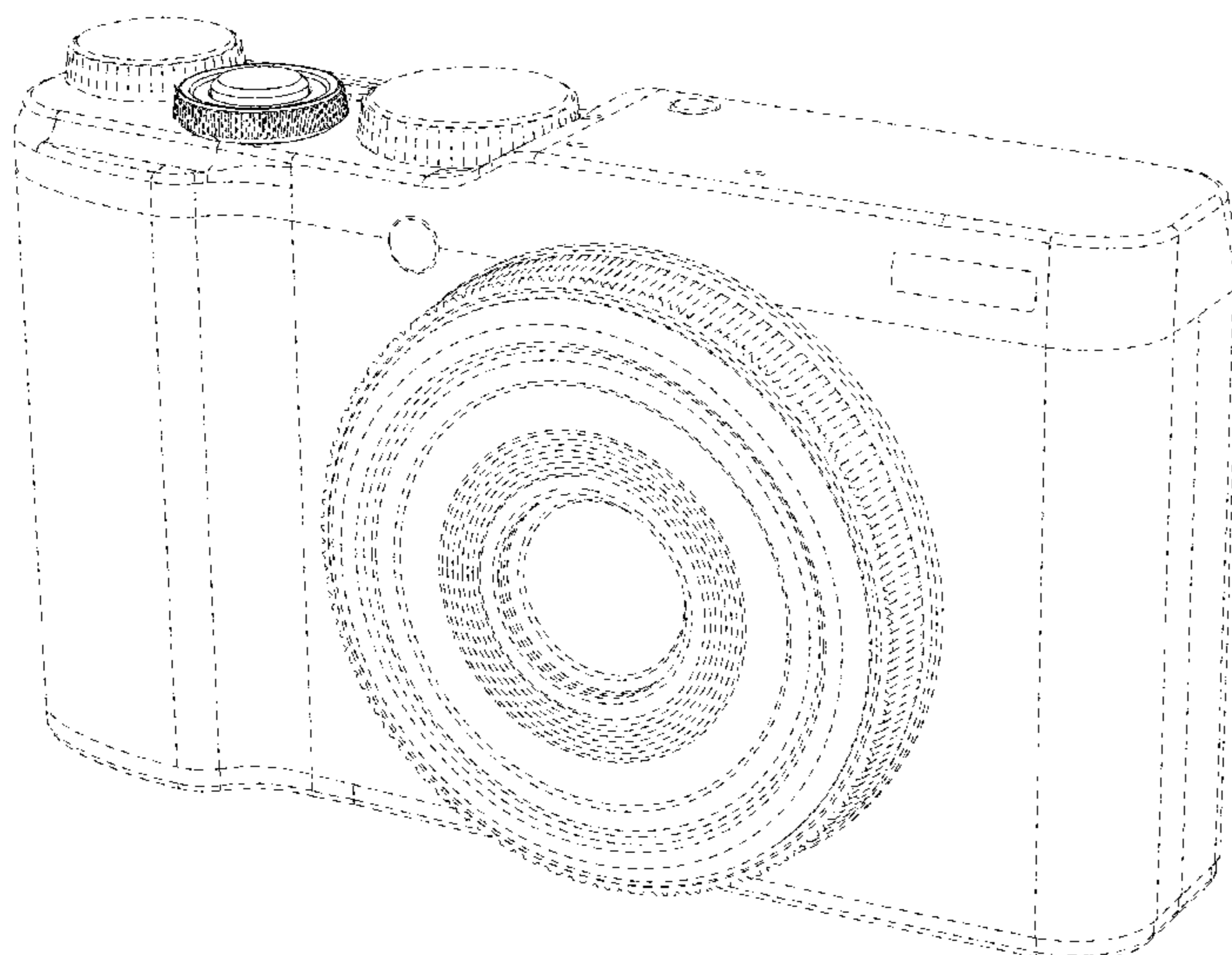
(57) **CLAIM**

The ornamental design for a digital camera, as shown and described.

**DESCRIPTION**

FIG. 1 is a front perspective view of a digital camera showing the new design;  
FIG. 2 is a rear perspective view thereof;  
FIG. 3 is a front elevation view thereof;  
FIG. 4 is a rear elevation view thereof;  
FIG. 5 is a top plan view thereof;  
FIG. 6 is a bottom plan view thereof;  
FIG. 7 is a left side elevation view thereof;  
FIG. 8 is a right side elevation view thereof;  
FIG. 9 is an enlarged front perspective view of the claimed portion of the digital camera;  
FIG. 10 is an enlarged front elevation view thereof;  
FIG. 11 is an enlarged right side elevation view thereof; and,  
FIG. 12 is an enlarged top plan view thereof.  
The broken lines shown in the drawings depict portions of the digital camera that form no part of the claimed design.

**1 Claim, 12 Drawing Sheets**



(56)

**References Cited**

U.S. PATENT DOCUMENTS

D875,804 S \* 2/2020 Li ..... D16/202  
D884,772 S \* 5/2020 Sasaki ..... D16/219

\* cited by examiner

FIG.1

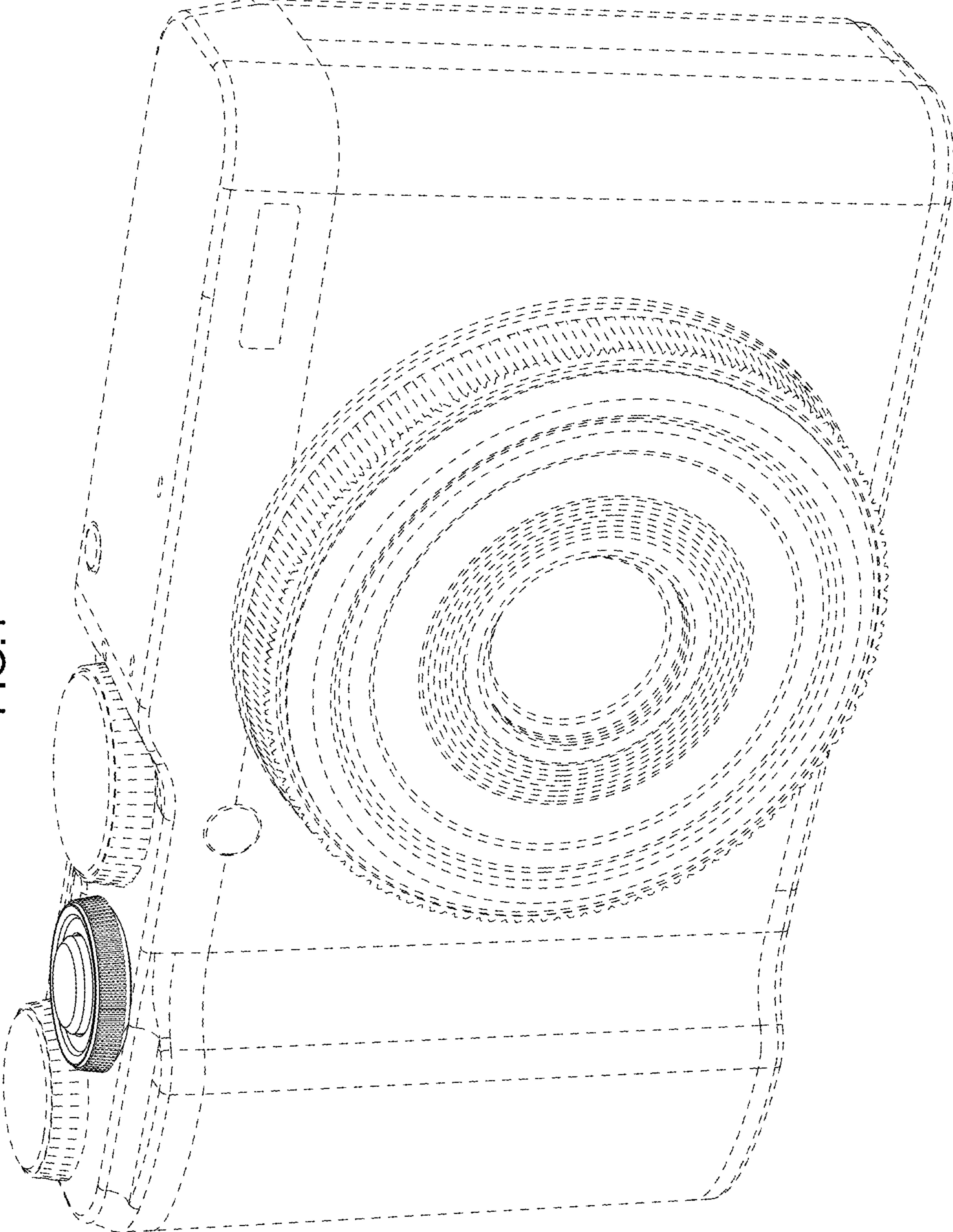


FIG.2

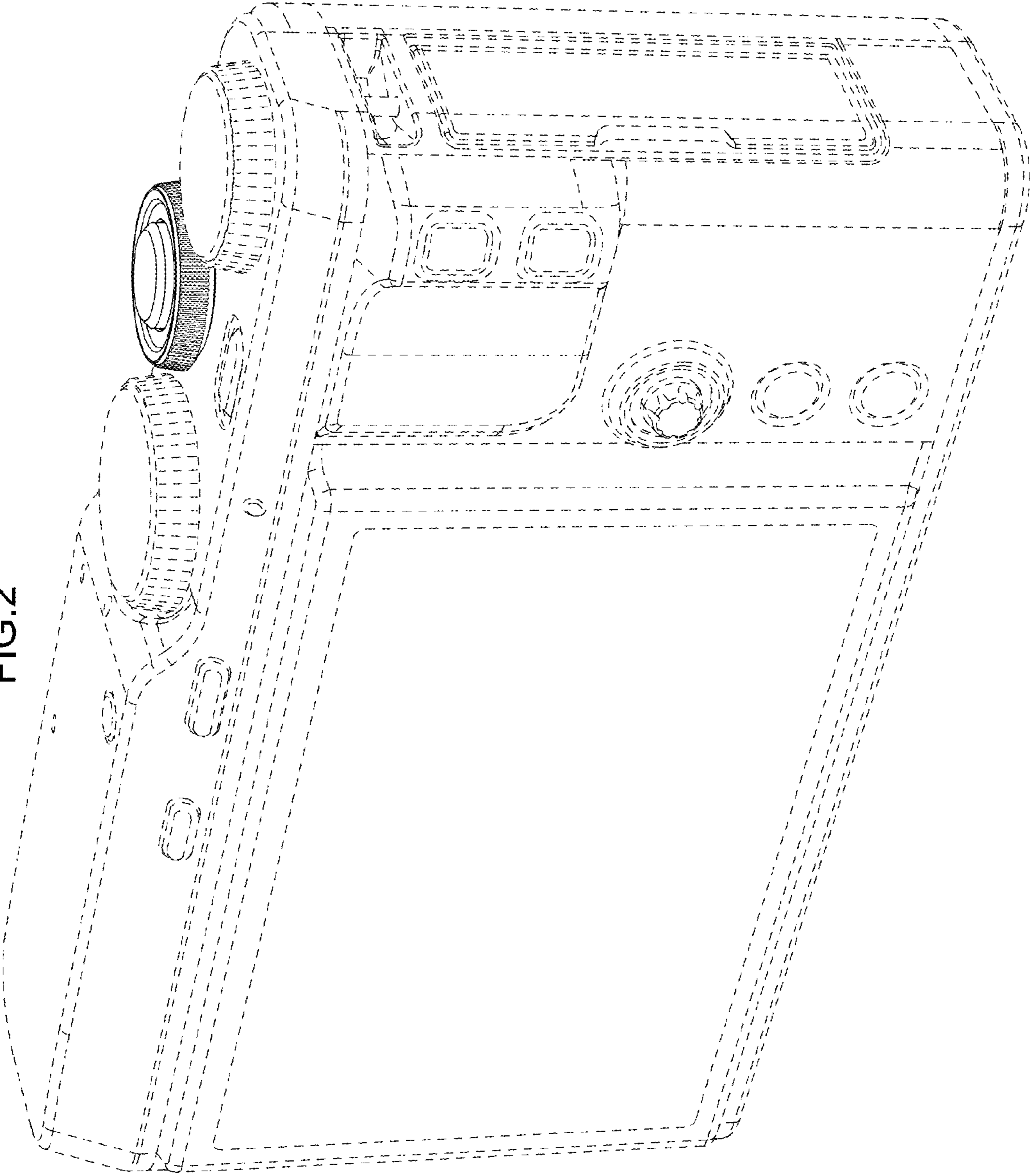


FIG.3

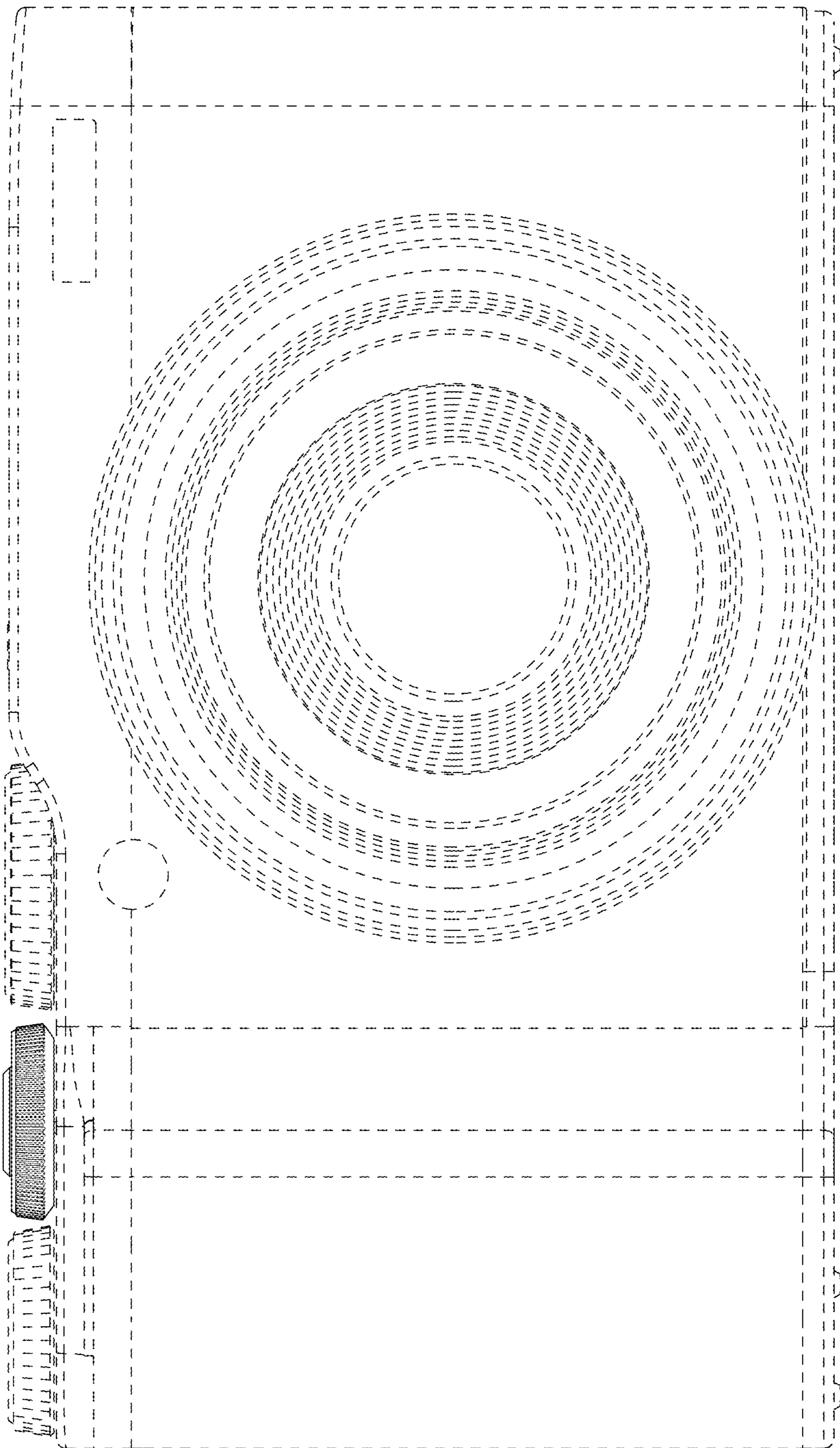


FIG.4

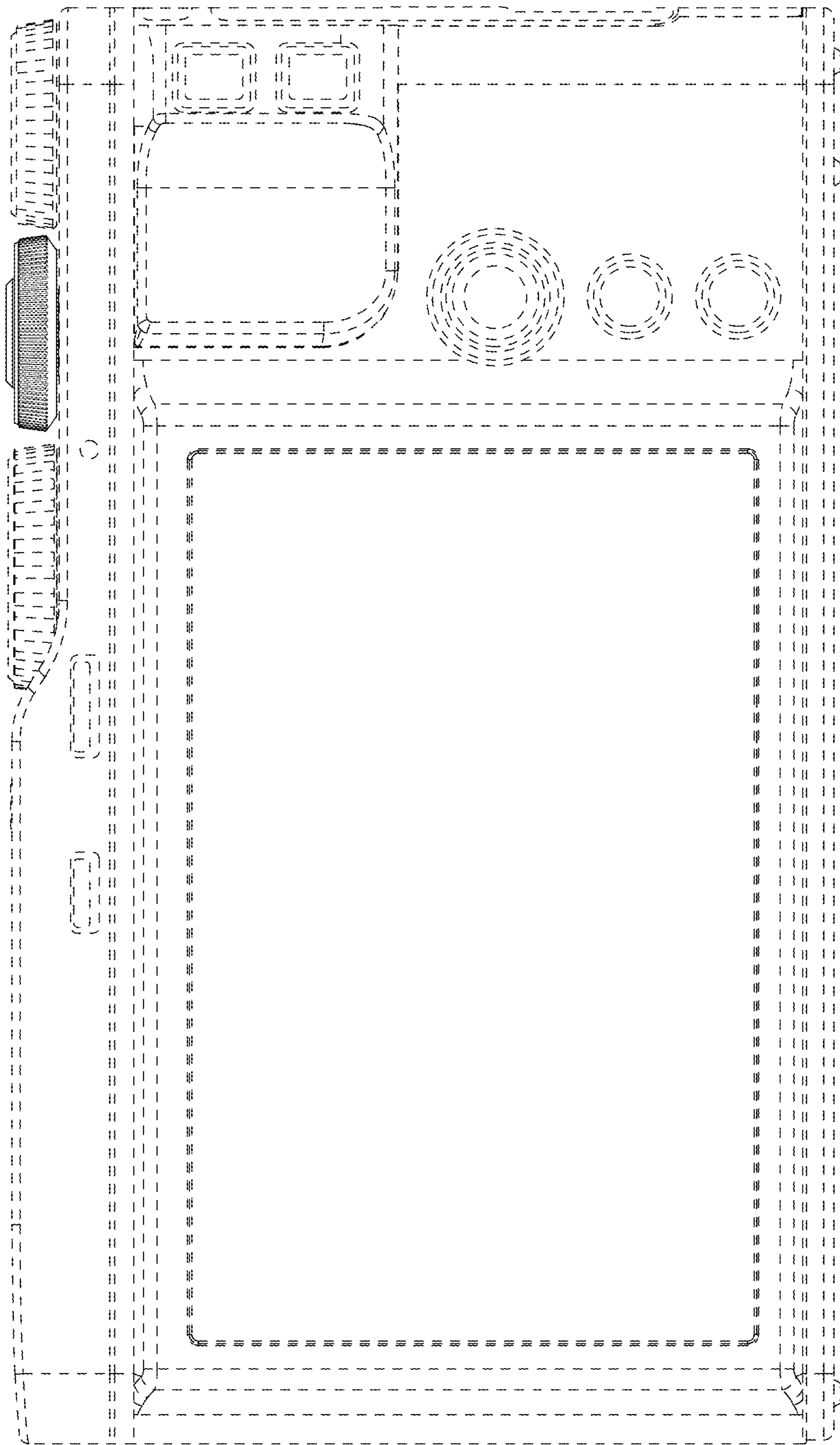


FIG. 5

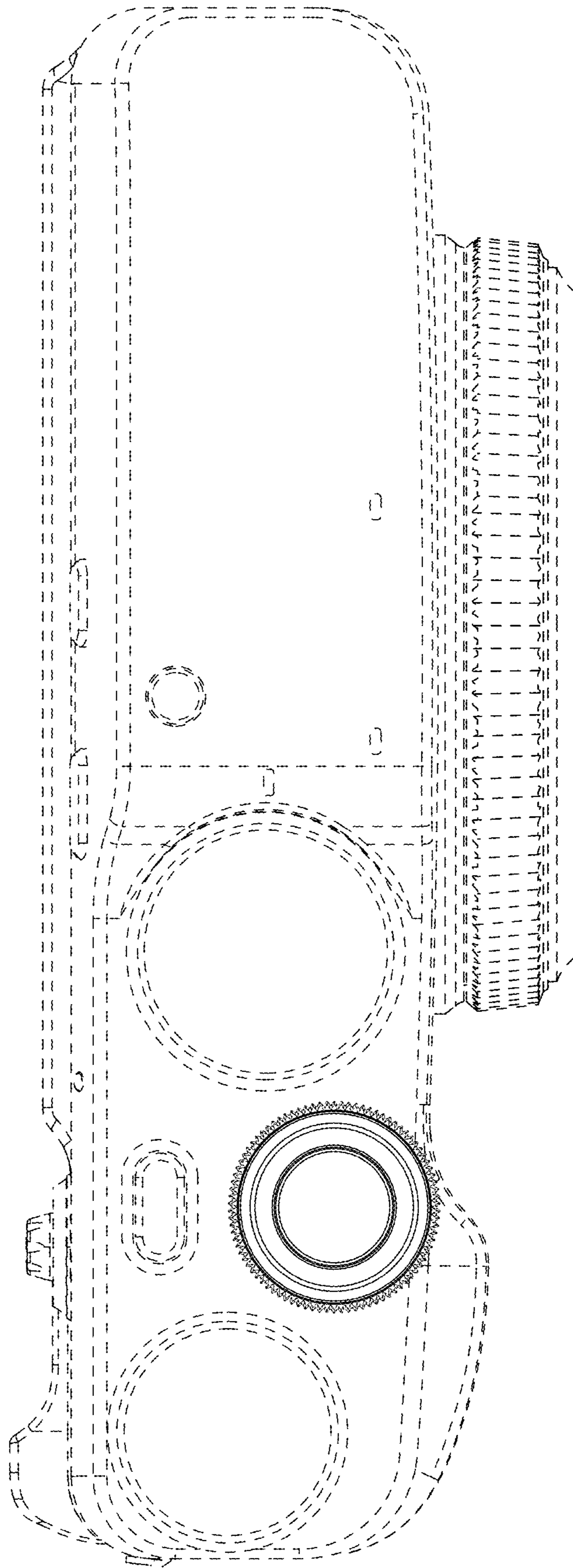


FIG.6

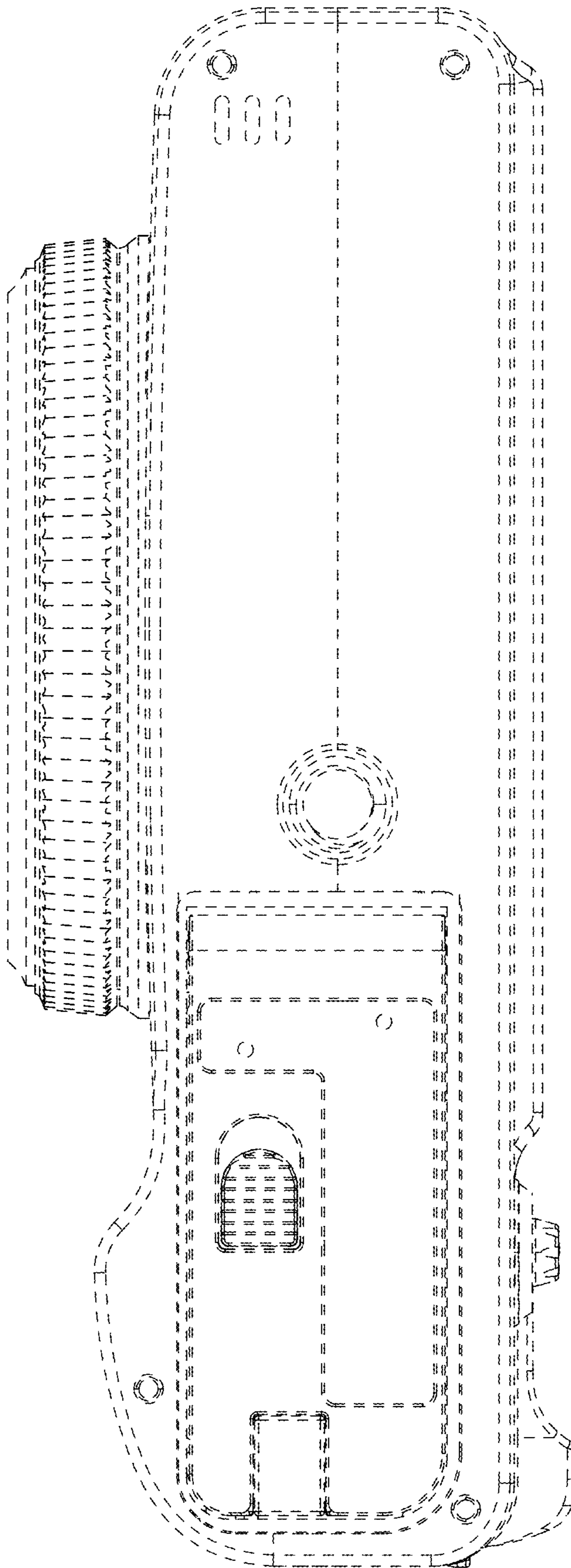




FIG.7

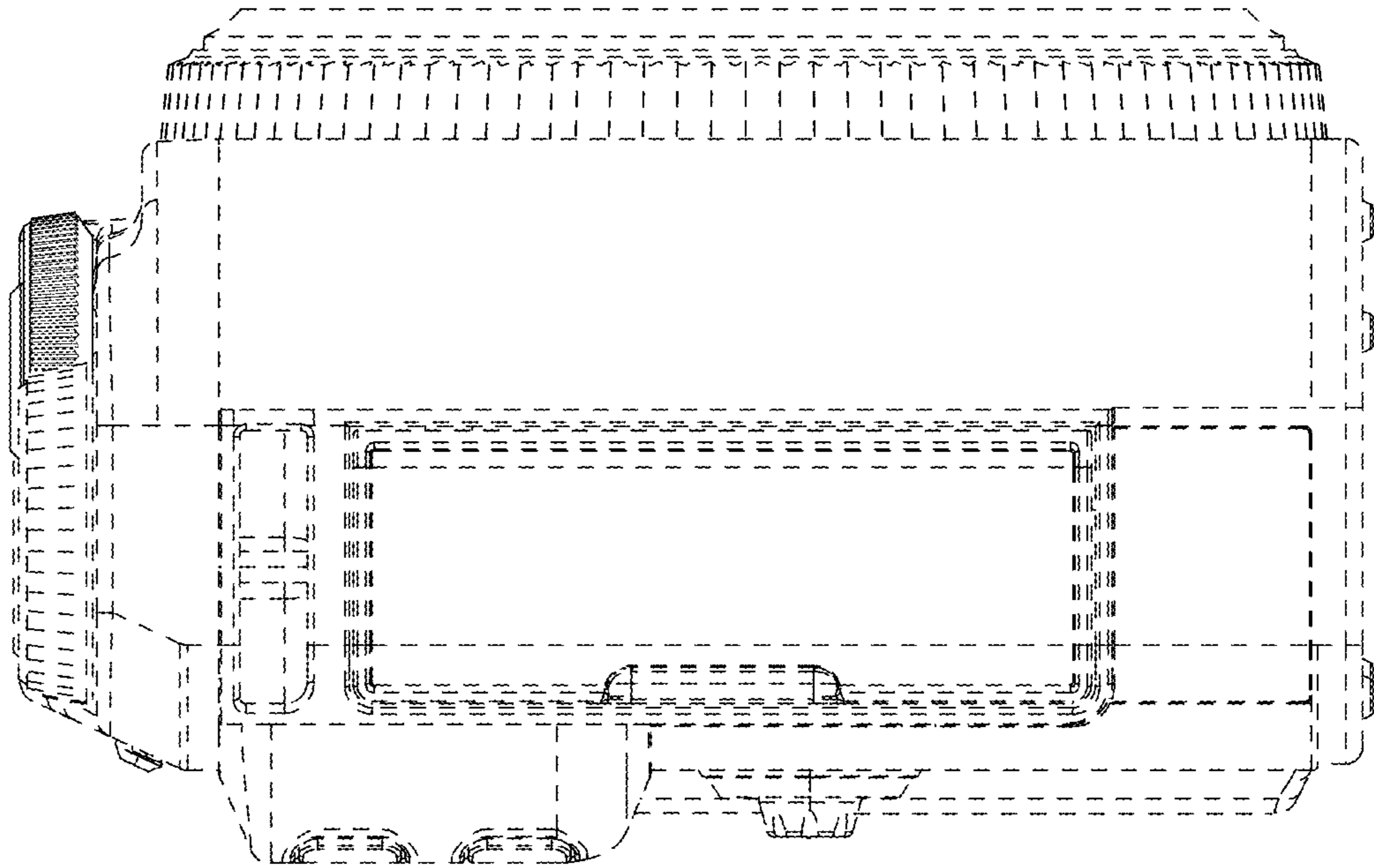


FIG.8

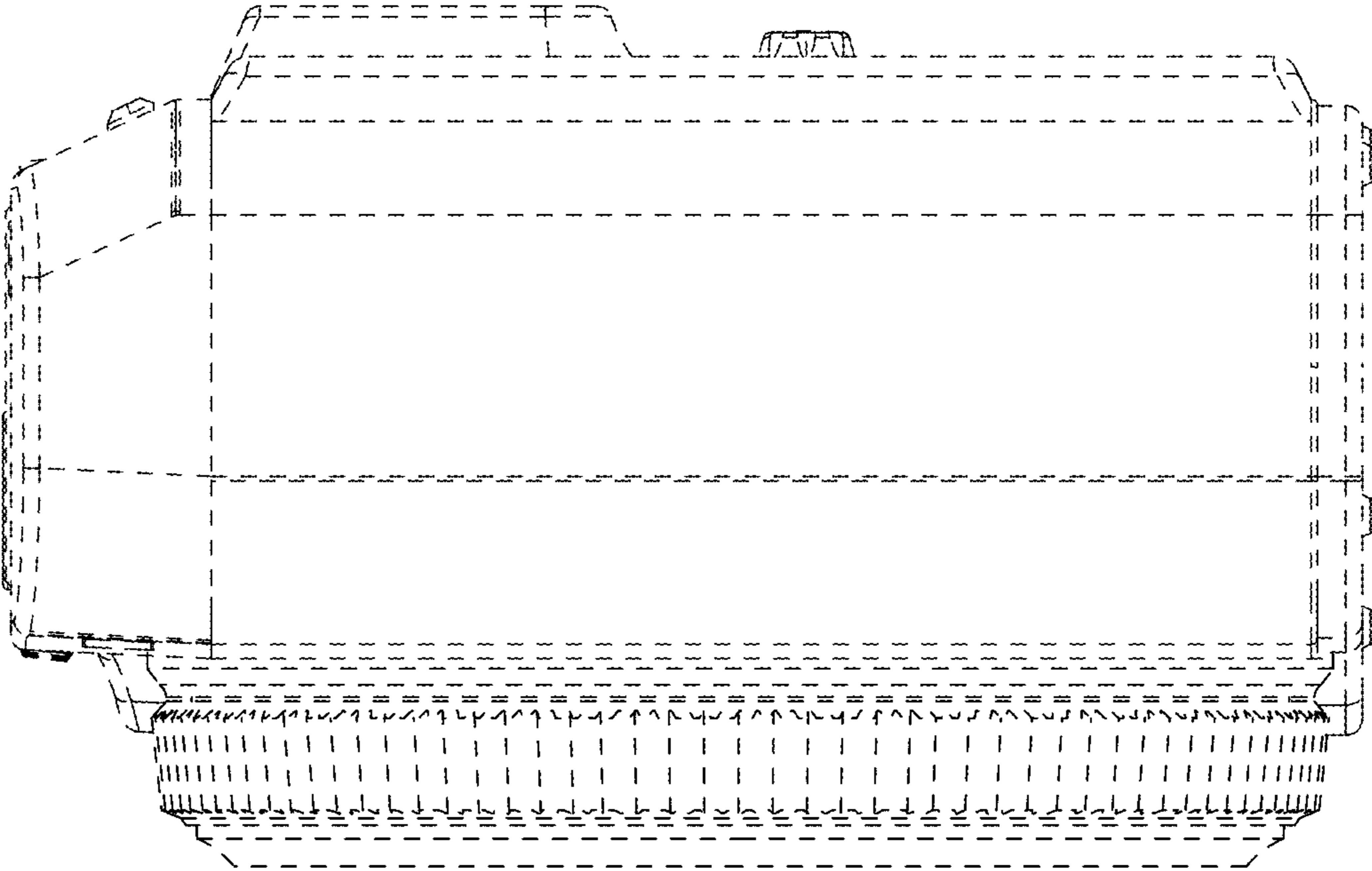


FIG.9

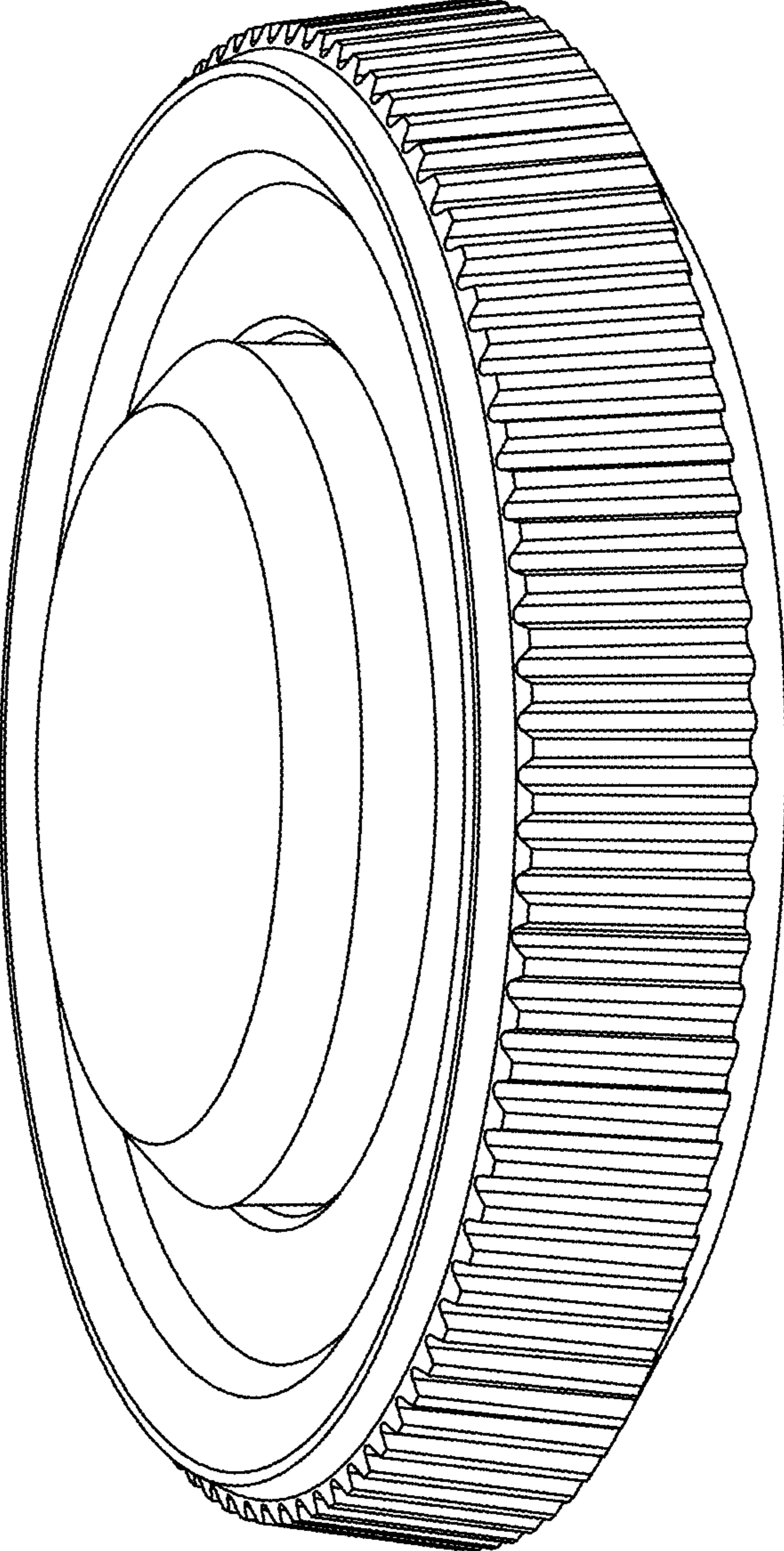


FIG.10

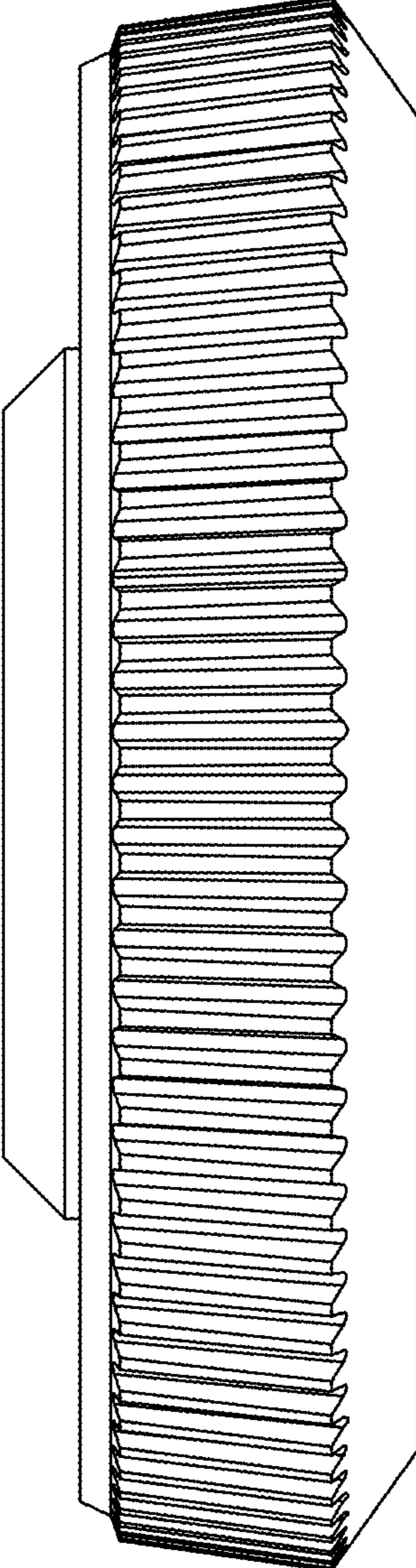


FIG.11

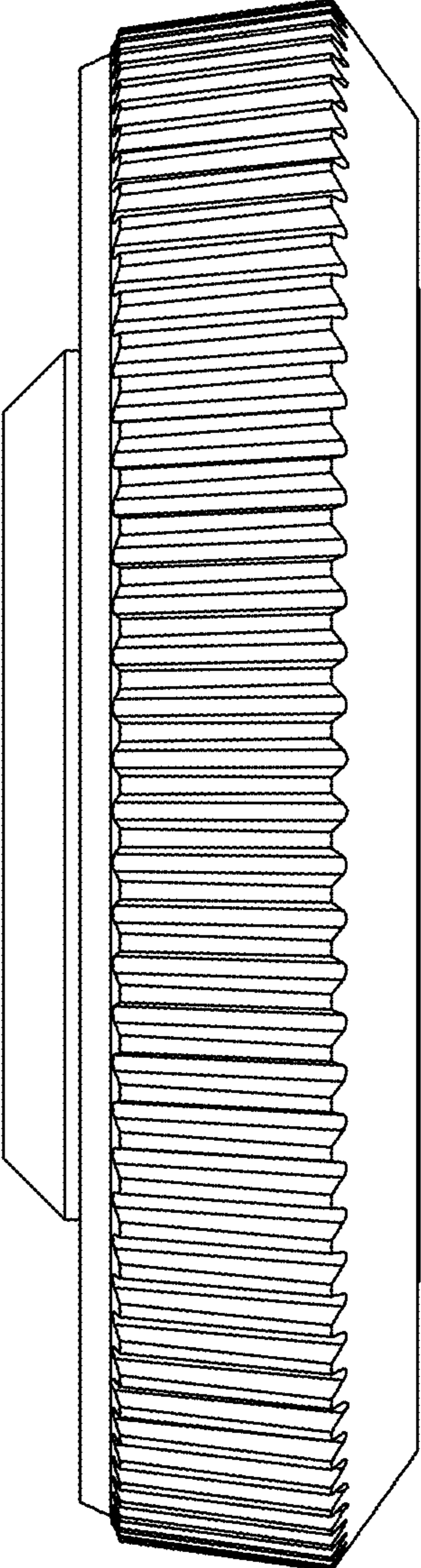


FIG.12

