



US00D897404S

(12) **United States Design Patent**
Marzette, Jr. et al.

(10) **Patent No.:** **US D897,404 S**
(45) **Date of Patent:** **** Sep. 29, 2020**

- (54) **THERMAL IMAGER**
- (71) Applicant: **Fluke Corporation**, Everett, WA (US)
- (72) Inventors: **Charles E. Marzette, Jr.**, Kirkland, WA (US); **Timothy J. Kesti**, Otsego, MN (US)
- (73) Assignee: **Fluke Corporation**, Everett, WA (US)
- (**) Term: **15 Years**
- (21) Appl. No.: **29/718,767**
- (22) Filed: **Dec. 27, 2019**

- D500,068 S 12/2004 Hayashi
- D579,475 S * 10/2008 Aronsson D16/218
- D598,038 S * 8/2009 Takahashi D16/200
- 7,648,291 B2 1/2010 Laganas et al.
- D665,004 S 8/2012 Löfgren
- D671,583 S * 11/2012 Sakai D16/202
- D701,926 S 4/2014 Takahashi et al.
- D713,439 S * 9/2014 Zhang D16/208
- D718,801 S 12/2014 Zetterlund
- D744,578 S * 12/2015 Zhan D16/237
- D753,208 S 4/2016 Elrod et al.
- D758,468 S * 6/2016 Darty D16/207
- D797,838 S * 9/2017 Gratzki D16/219
- D817,377 S * 5/2018 Nichol D16/200
- D835,698 S * 12/2018 Darty D16/206
- D849,105 S 5/2019 Högstedt et al.
- D862,559 S * 10/2019 Johansson D16/202
- D868,868 S * 12/2019 Heyden D16/202

(Continued)

Related U.S. Application Data

- (62) Division of application No. 29/646,515, filed on May 4, 2018, now Pat. No. Des. 874,544.
- (51) **LOC (12) Cl.** **16-01**
- (52) **U.S. Cl.**
USPC **D16/218; D16/206**
- (58) **Field of Classification Search**
USPC D16/200, 202–206, 218, 219, 242;
348/143, 148, 151, 164, 373–376;
396/419, 427, 535, 539–541
CPC G03B 17/02; G03B 19/04; G03B 17/56;
G03B 17/04; G03B 15/03; H04N 5/2251;
H04N 5/2252; H04N 5/2253; H04N
5/2254; H04N 7/181; H04N 7/183; H04N
7/18; G08B 13/1963; G08B 13/19619;
G08B 13/19632
See application file for complete search history.

Primary Examiner — Ramzi S Almatrahi

(74) *Attorney, Agent, or Firm* — Seed Intellectual Property Law Group LLP

(57) **CLAIM**

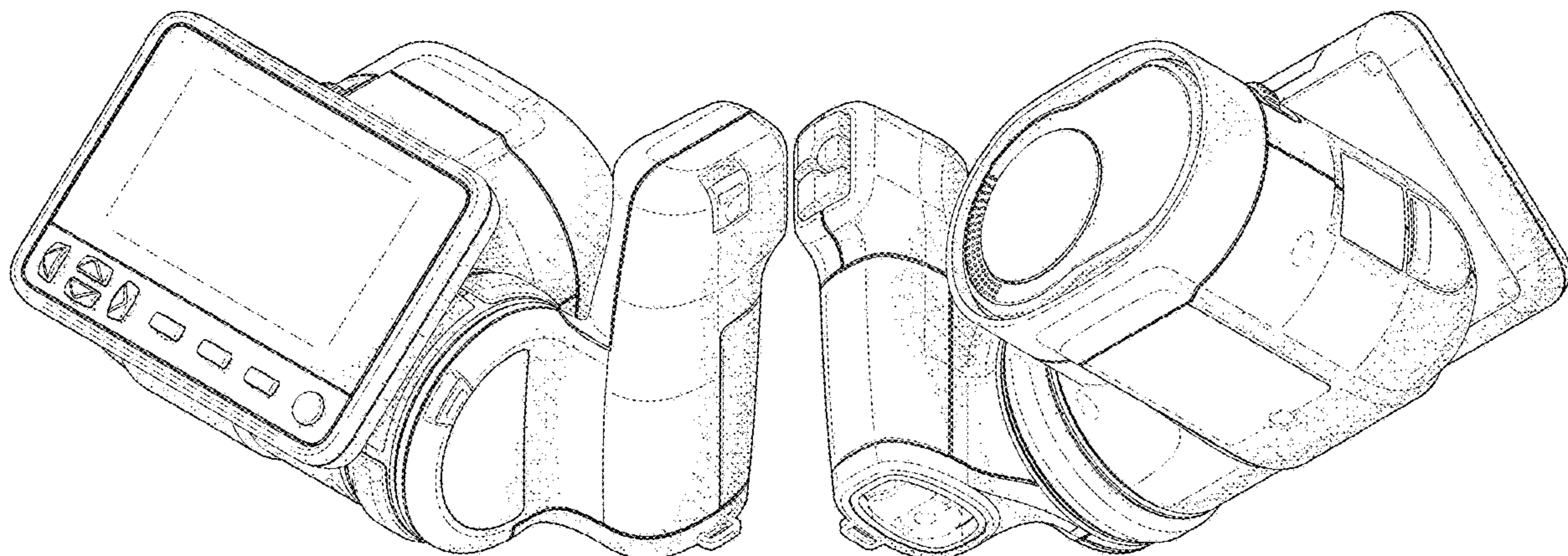
The ornamental design for a thermal imager, as shown and described.

DESCRIPTION

FIG. 1 is a top, front right side perspective view of a thermal imager showing our new design.
 FIG. 2 is a bottom, rear left side perspective view thereof.
 FIG. 3 is a front elevation view thereof.
 FIG. 4 is a right side elevation view thereof.
 FIG. 5 is a left side elevation view thereof.
 FIG. 6 is a top plan view thereof.
 FIG. 7 is a bottom plan view thereof; and,
 FIG. 8 is a rear elevation view thereof.
 The broken lines in the figures depict portions of the thermal imager in which the design is embodied that form no part of the claimed design.

- (56) **References Cited**
U.S. PATENT DOCUMENTS
D426,248 S 6/2000 Sumita
D472,911 S 4/2003 Bielefeld
D479,548 S 9/2003 Bielefeld

1 Claim, 8 Drawing Sheets



(56)

References Cited

U.S. PATENT DOCUMENTS

2003/0001960 A9 1/2003 Kato et al.
2013/0038769 A1* 2/2013 Xiaoping G03B 17/56
348/333.01

* cited by examiner

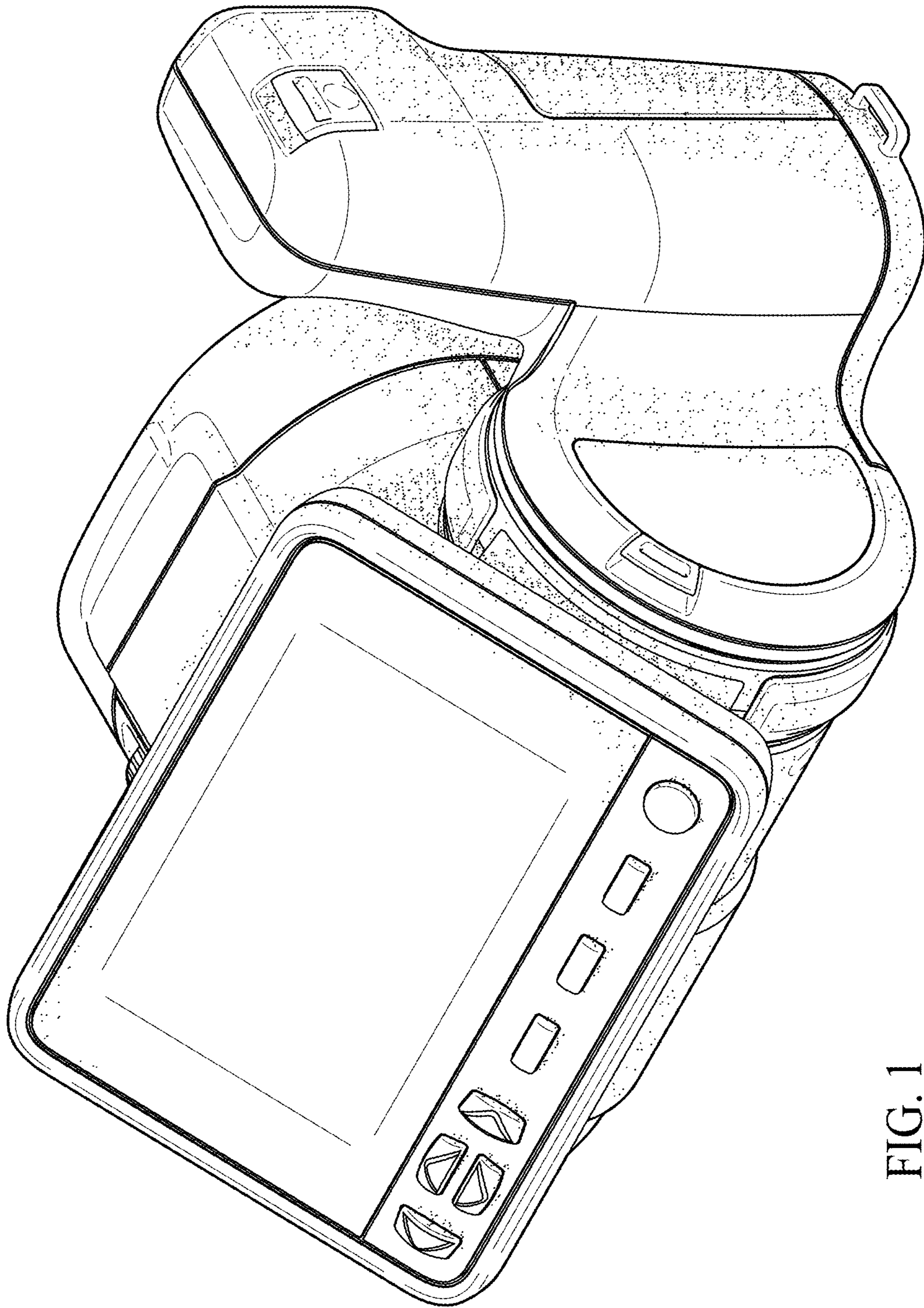


FIG. 1

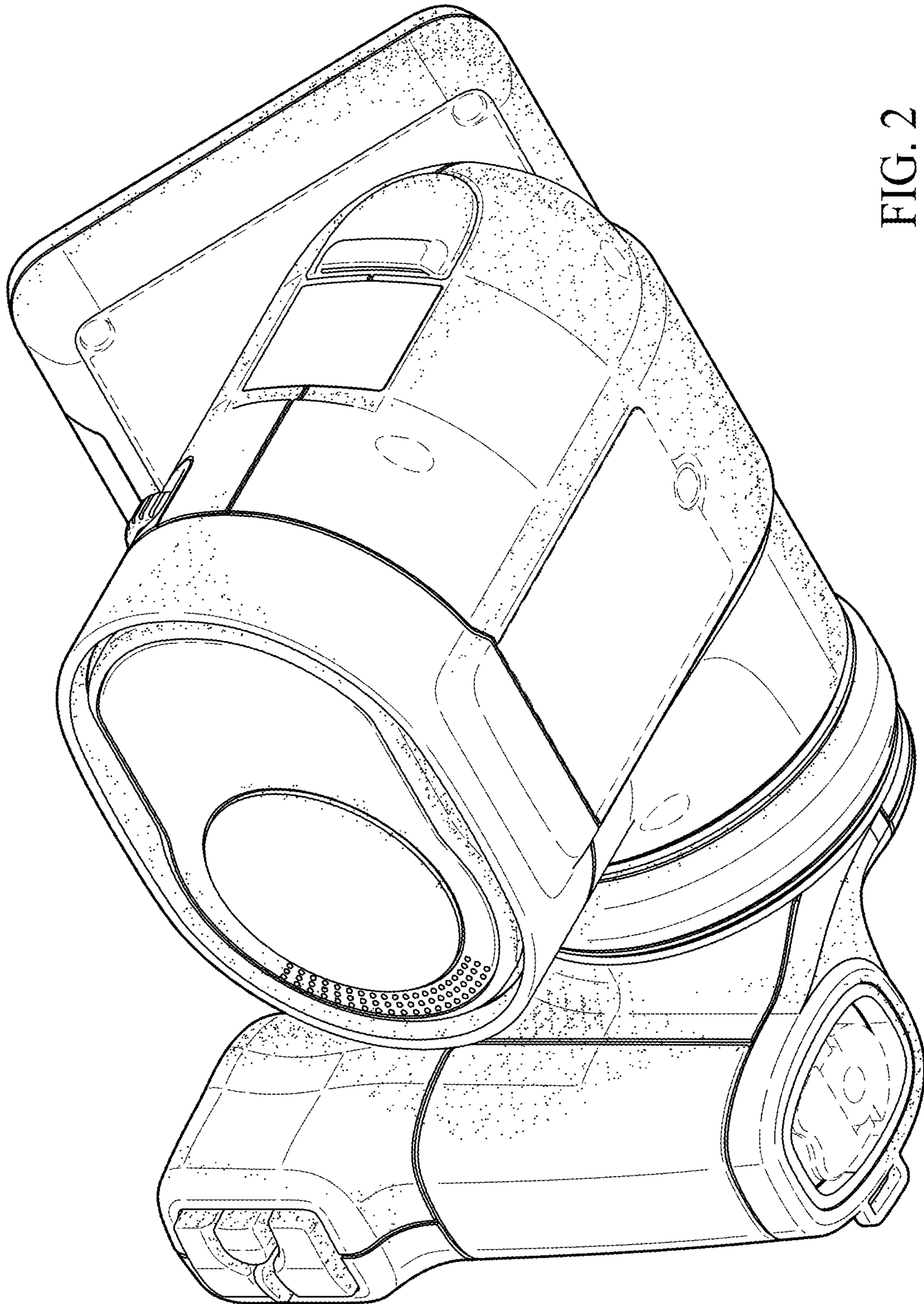


FIG. 2

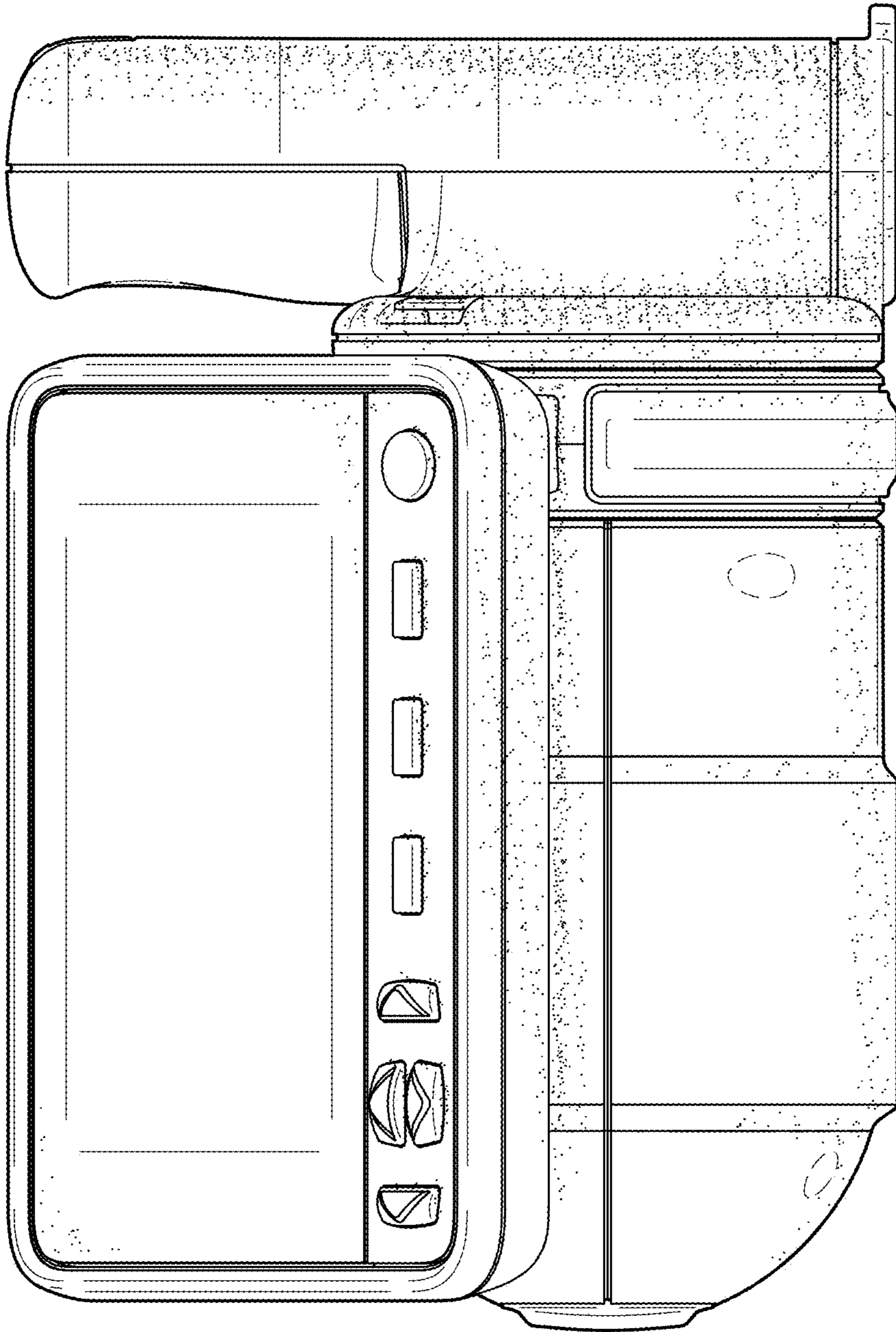


FIG. 3

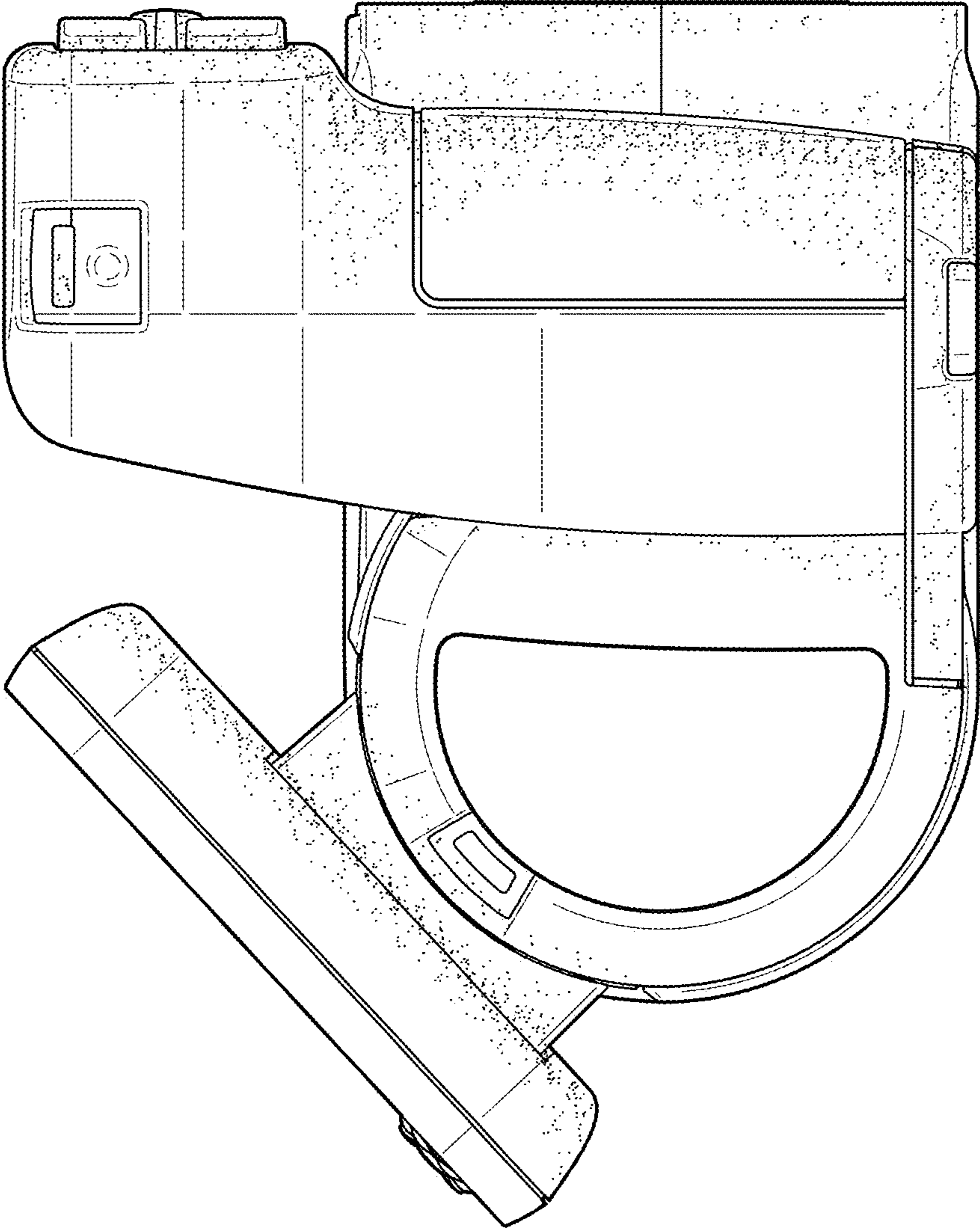


FIG. 4

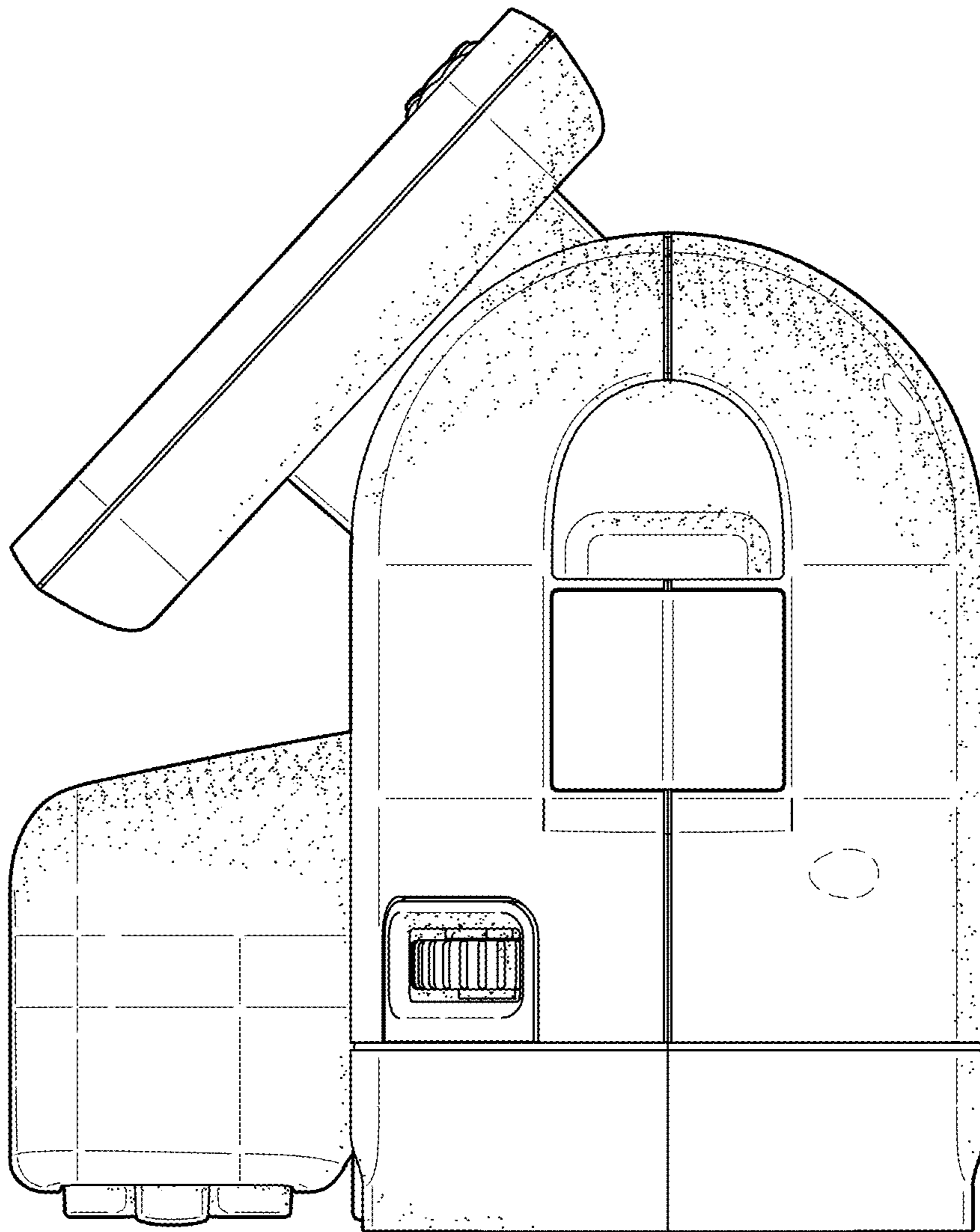


FIG. 5

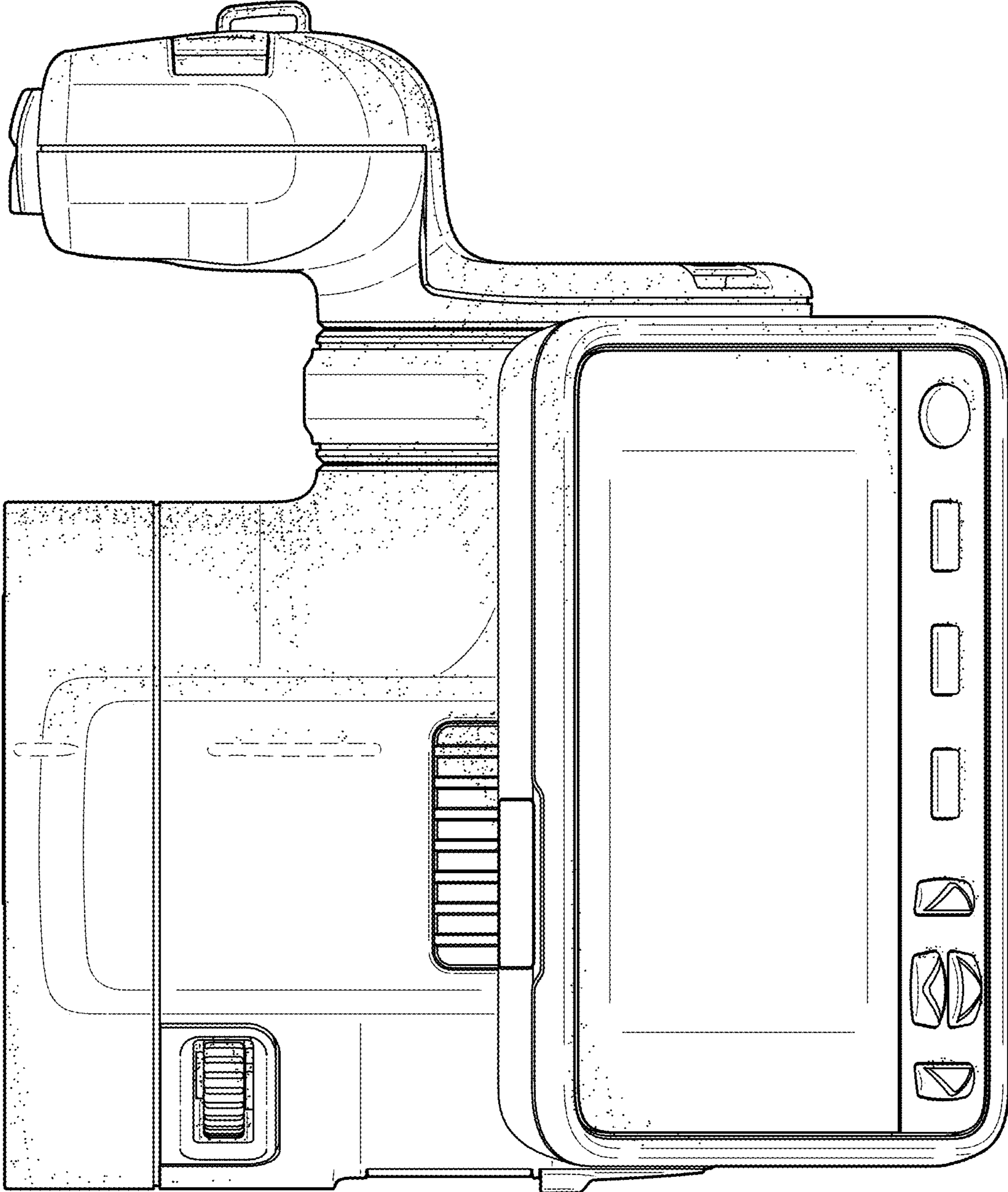


FIG. 6

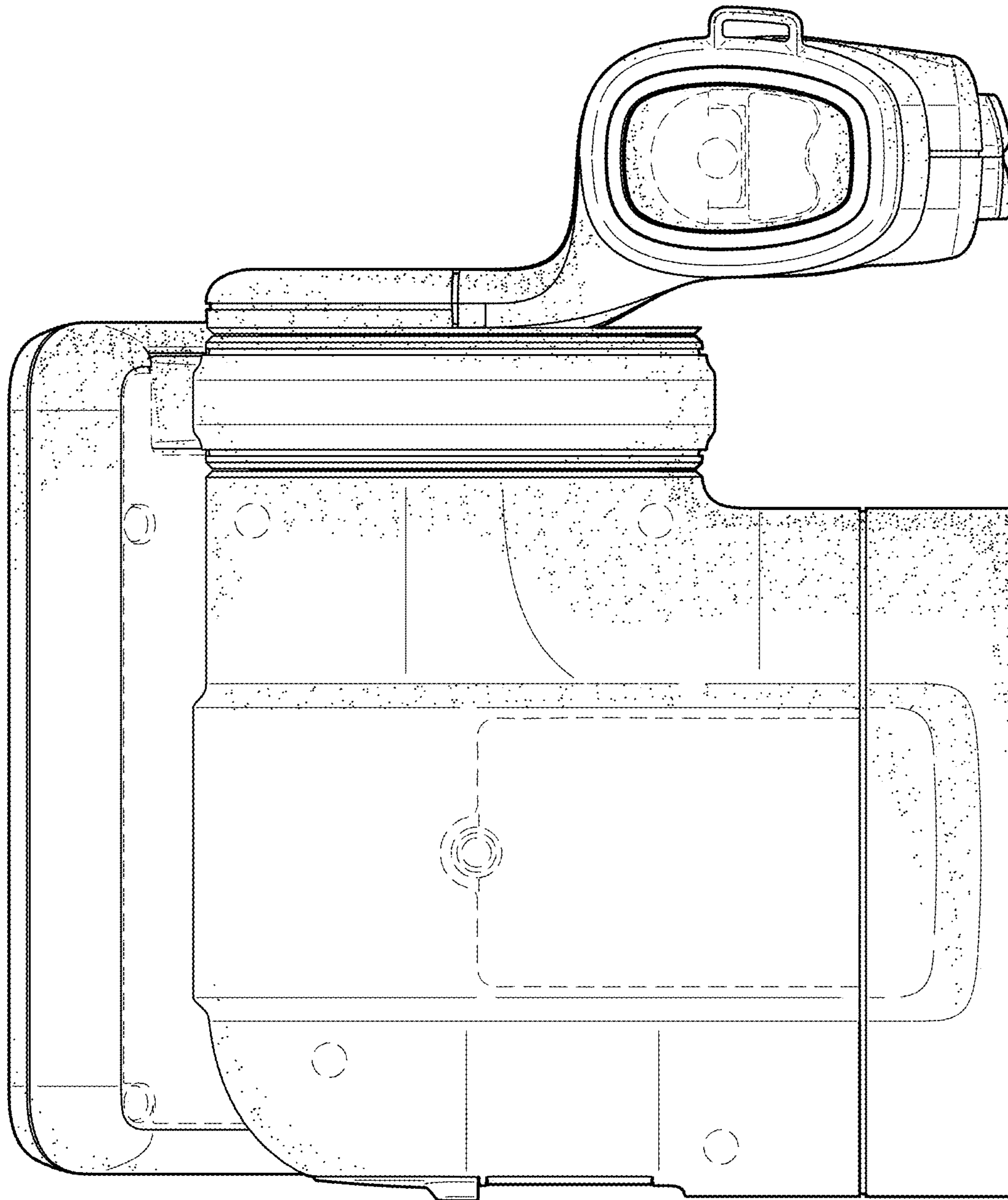


FIG. 7

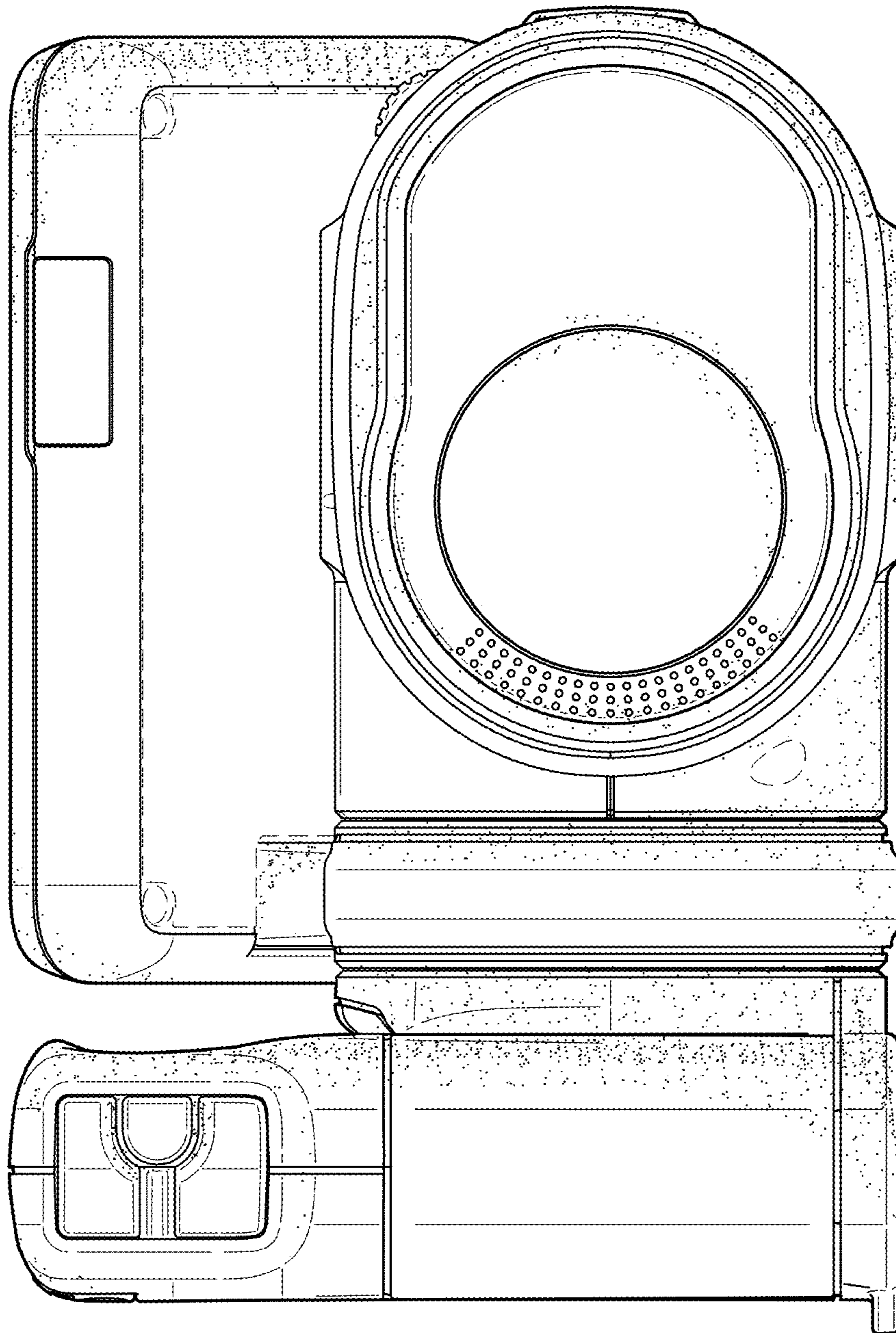


FIG. 8