



US00D897399S

(12) **United States Design Patent** (10) **Patent No.:** **US D897,399 S**
Wang et al. (45) **Date of Patent:** **** Sep. 29, 2020**

(54) **CAMERA**

(71) Applicant: **Shenzhen PiSoftware Technology Co., Ltd.**, Shenzhen (CN)

(72) Inventors: **Chao Wang**, Shenzhen (CN); **Guowen Zhen**, Shenzhen (CN); **Tao Wang**, Shenzhen (CN)

(73) Assignee: **Shenzhen PiSoftware Technology Co., Ltd.**, Shenzhen (CN)

(**) Term: **15 Years**

(21) Appl. No.: **29/707,552**

(22) Filed: **Sep. 29, 2019**

(30) **Foreign Application Priority Data**

Apr. 17, 2019 (CN) 2019 3 0176732

(51) **LOC (12) Cl.** **16-01**

(52) **U.S. Cl.**
USPC **D16/210; D16/218**

(58) **Field of Classification Search**
USPC D16/200, 202–208, 218, 219, 242;
348/143, 148, 151, 373–376; 396/419,
396/427, 535, 539–541
CPC G03B 17/02; G03B 19/04; G03B 17/56;
G03B 17/04; G03B 15/03; H04N 5/2251;
H04N 5/2252; H04N 5/2253; H04N
5/2254; H04N 7/181; H04N 7/183; H04N
7/18; G08B 13/1963; G08B 13/19619;
G08B 13/19632

See application file for complete search history.

(56) **References Cited**

U.S. PATENT DOCUMENTS

D732,594 S *	6/2015	Kawa	D16/202
D770,553 S *	11/2016	Schild	D16/202
D794,695 S *	8/2017	Zhang	D16/218
D795,940 S *	8/2017	Huang	D16/203
D797,836 S *	9/2017	Li	D16/218
D849,078 S *	5/2019	Girotti	D16/202
D867,427 S *	11/2019	Bai	D16/210
D877,232 S *	3/2020	Chou	D16/219
D879,175 S *	3/2020	Matsumoto	D16/202
D888,130 S *	6/2020	Kintner	D16/218

* cited by examiner

Primary Examiner — Ramzi S Almatrahi

(74) *Attorney, Agent, or Firm* — Westbridge IP LLC

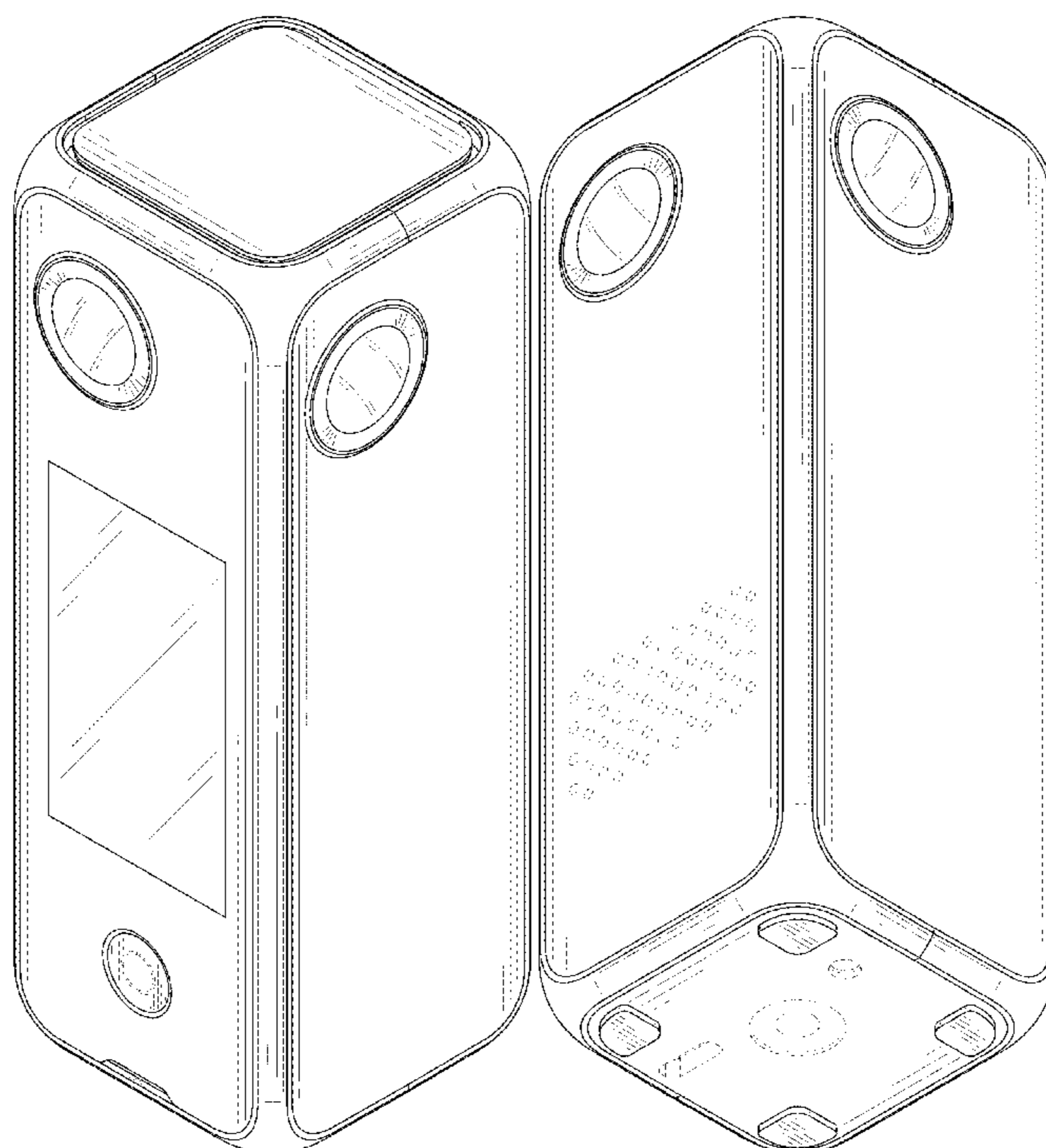
(57) **CLAIM**

The ornamental design for a camera, as shown and described.

DESCRIPTION

FIG. 1 is a front elevational view of a camera showing our new design;
FIG. 2 is a rear elevational view thereof;
FIG. 3 is a left side elevational view thereof;
FIG. 4 is a right side elevational view thereof;
FIG. 5 is a top plan view thereof;
FIG. 6 is a bottom plan view thereof;
FIG. 7 is a top, front and right side perspective thereof; and,
FIG. 8 is a bottom, rear and left side perspective thereof.
The broken lines depict portions of the camera in which the design is embodied that form no part of the claimed design.

1 Claim, 8 Drawing Sheets



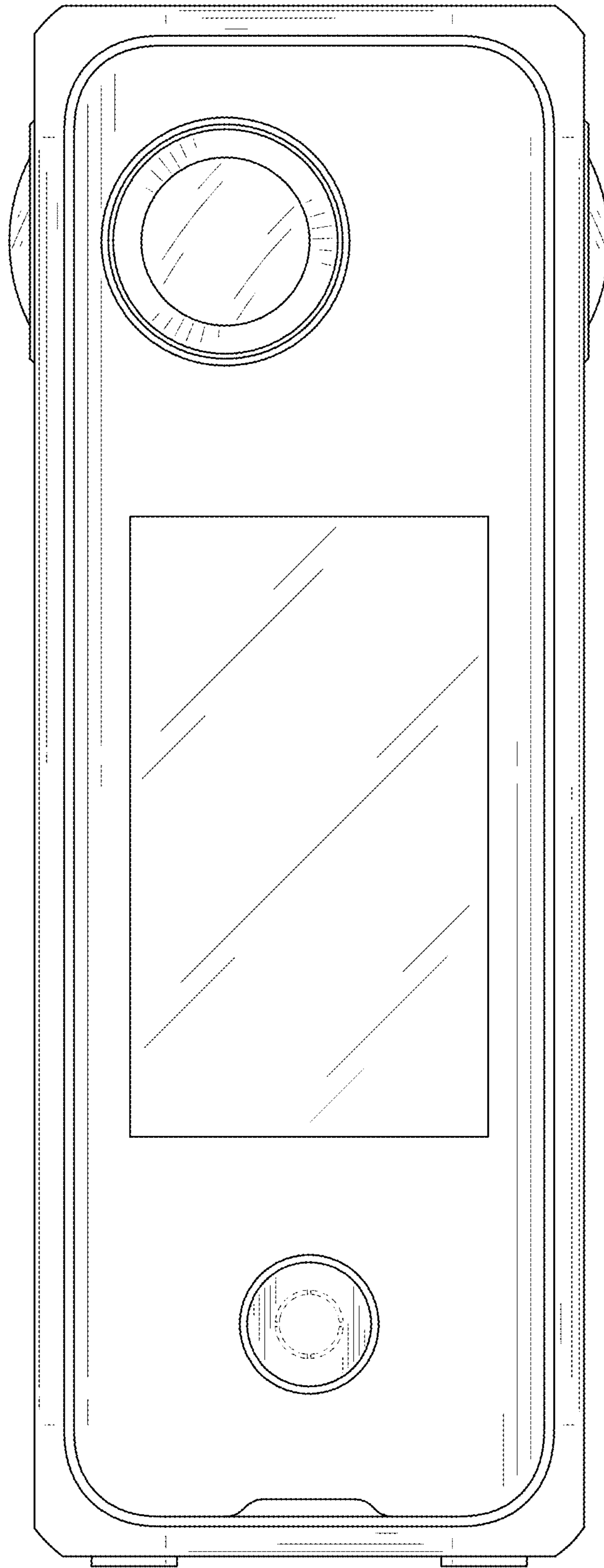


FIG. 1

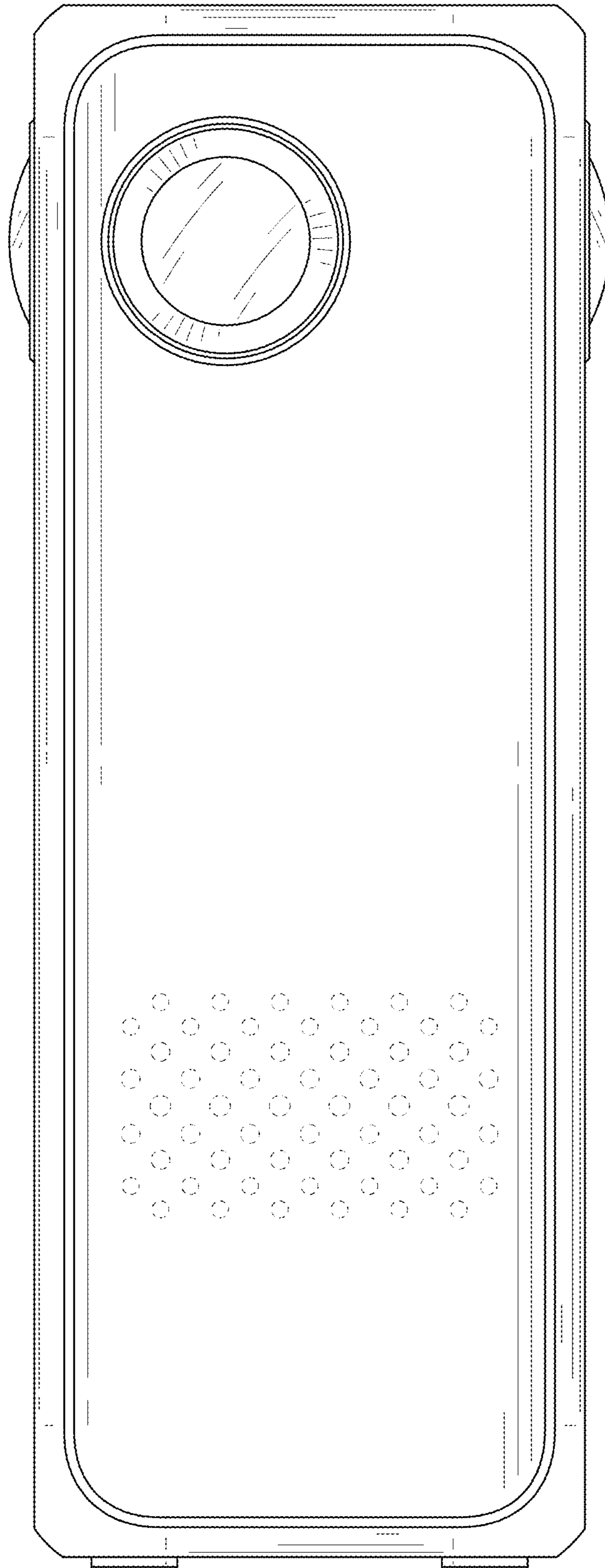


FIG. 2

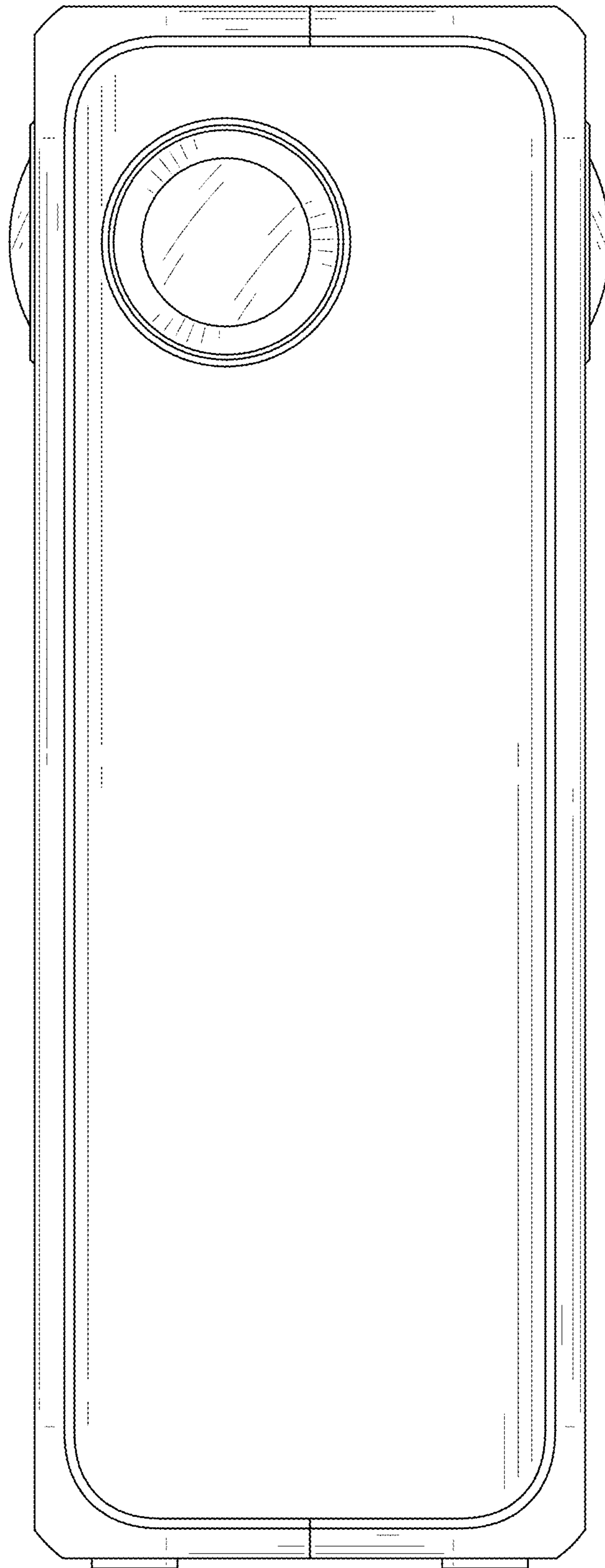


FIG. 3

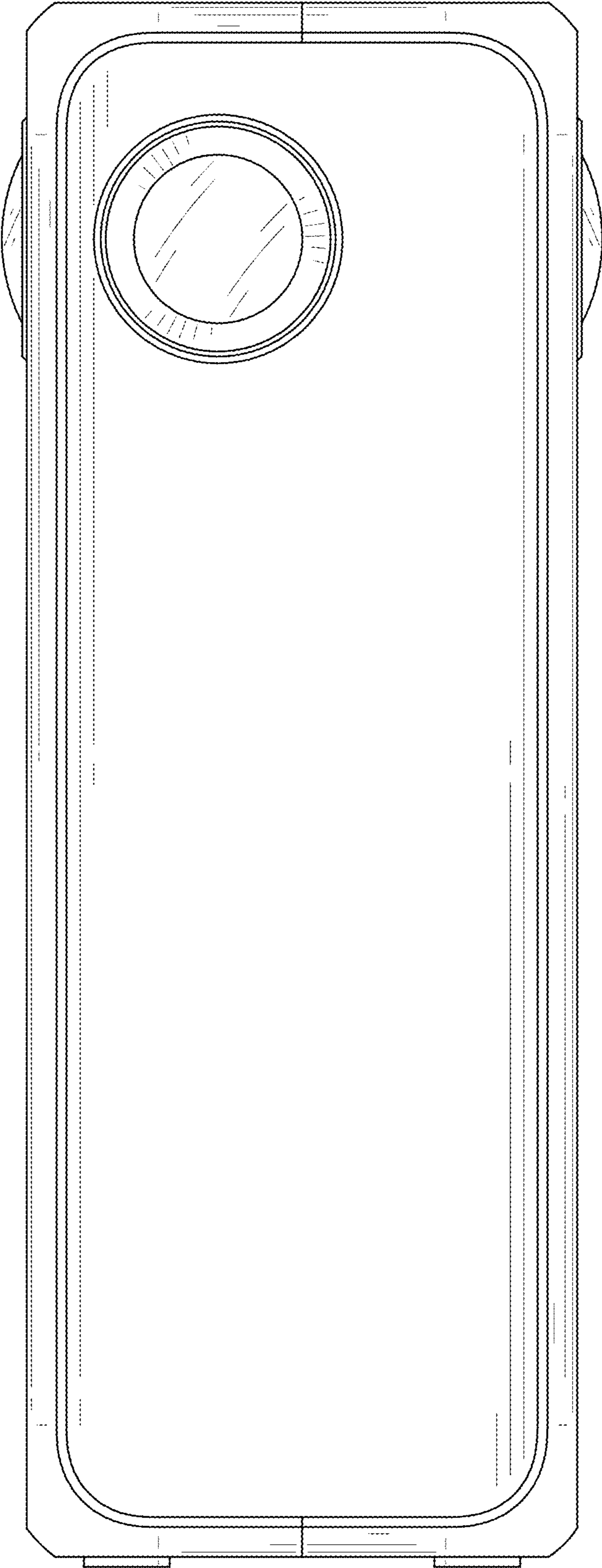


FIG. 4

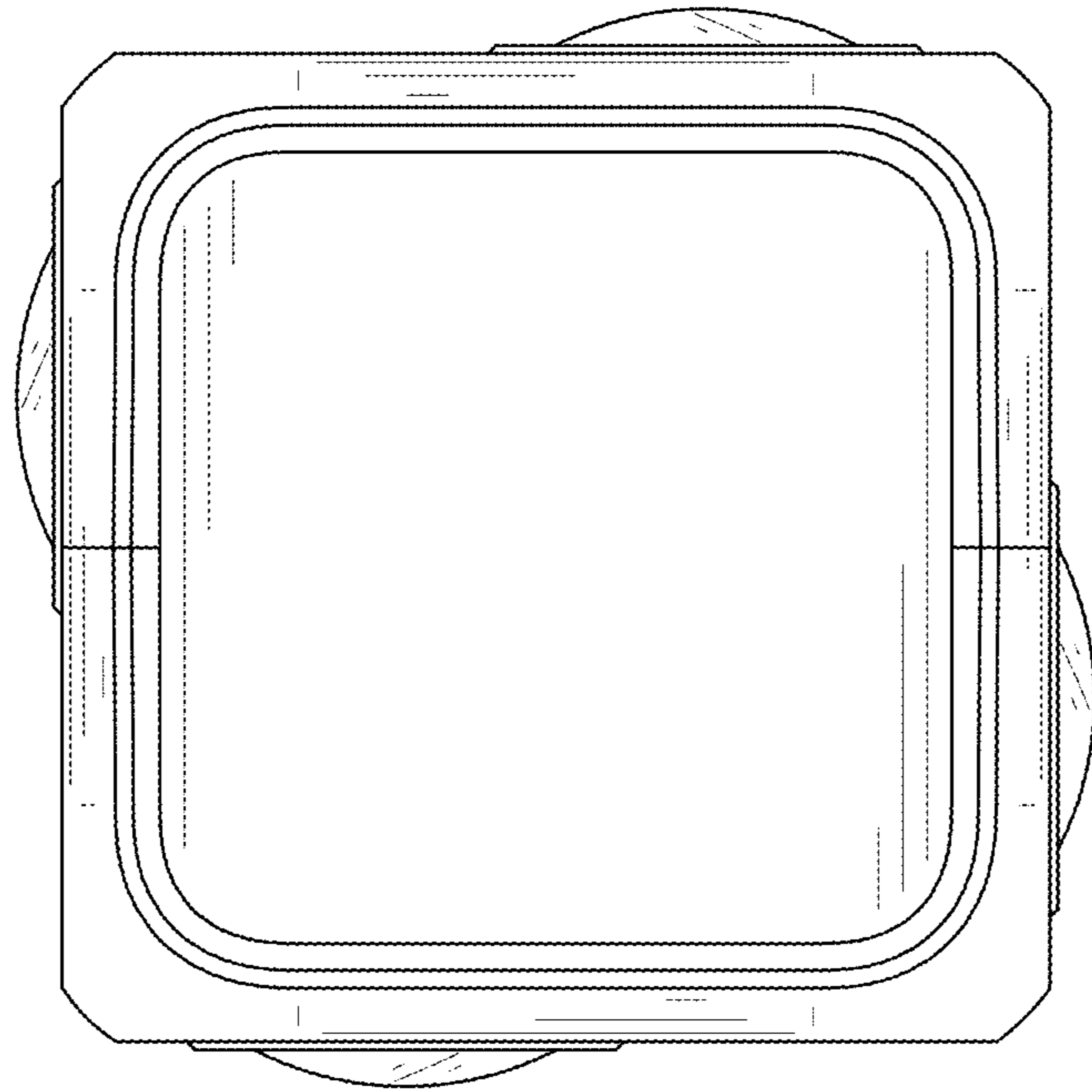


FIG. 5

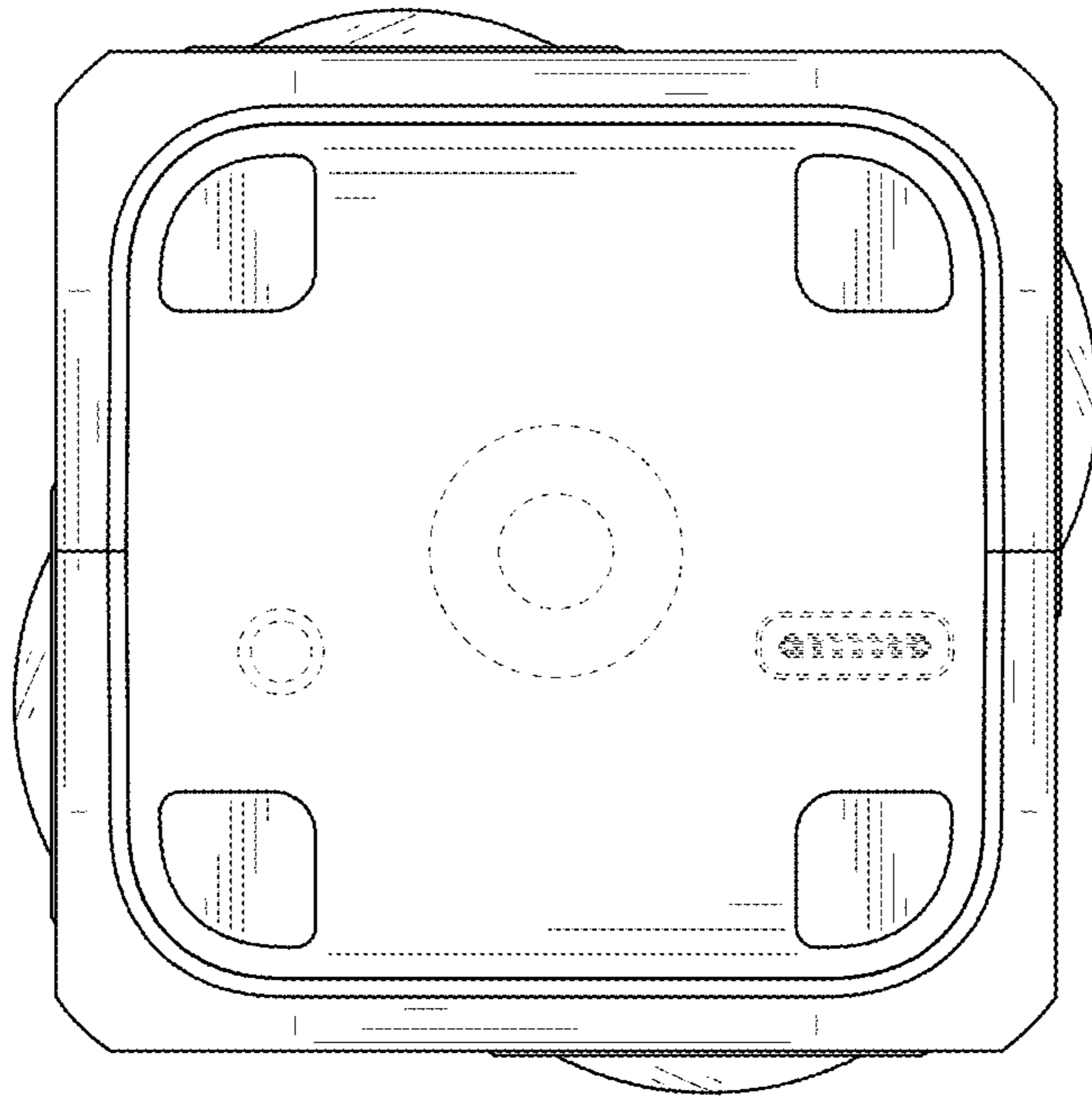


FIG. 6

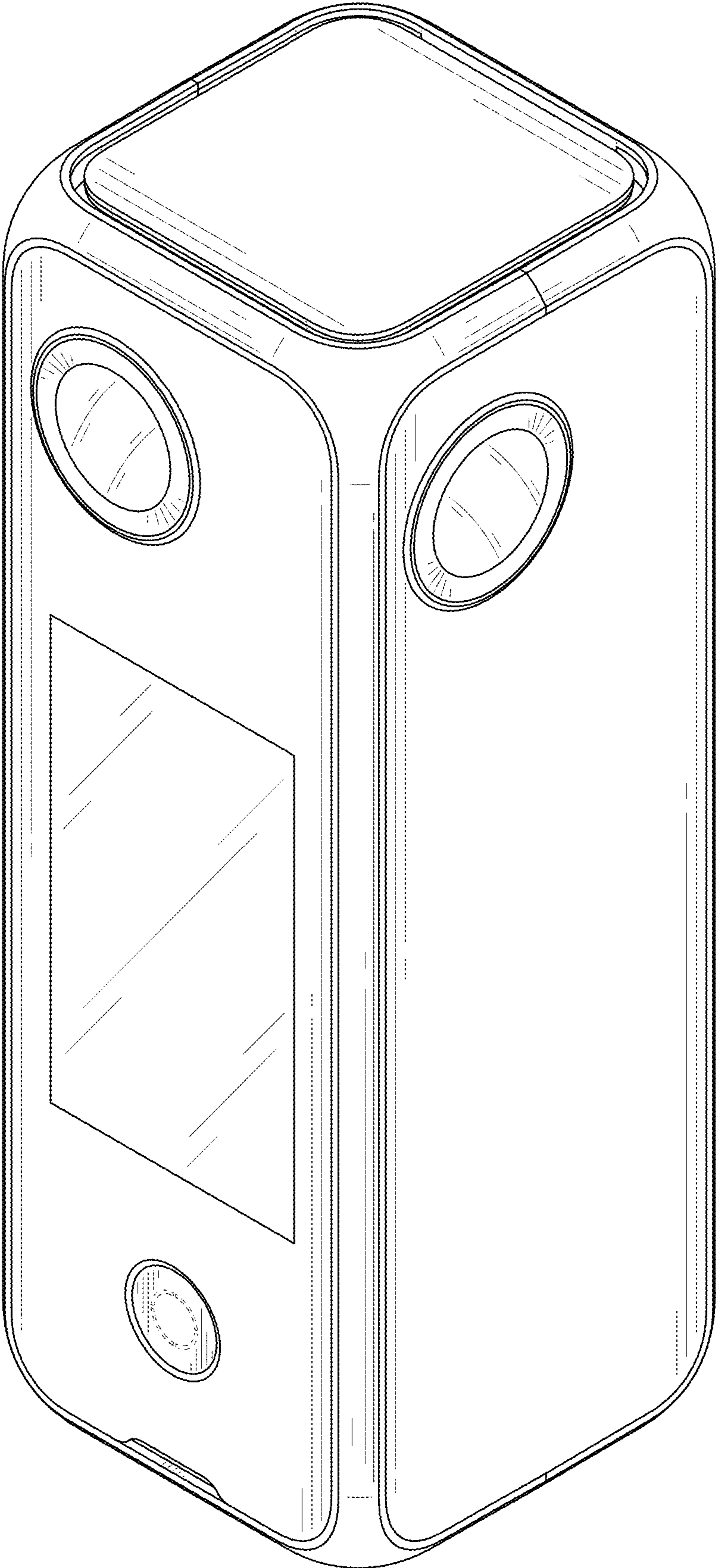


FIG. 7

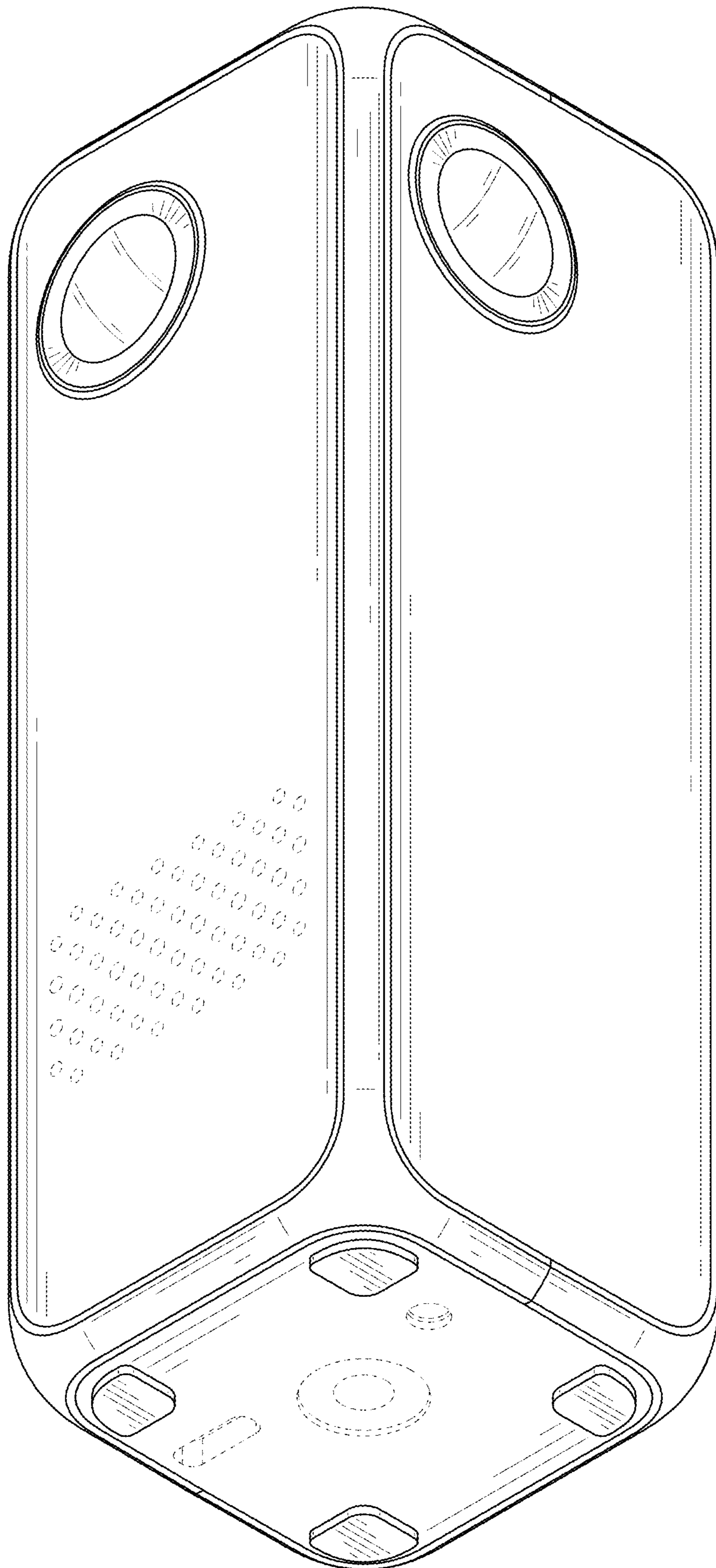


FIG. 8