



US00D897398S

(12) **United States Design Patent**
Wu et al.

(10) **Patent No.:** **US D897,398 S**

(45) **Date of Patent:** **** Sep. 29, 2020**

(54) **PANORAMIC CAMERA**

(71) Applicant: **ARASHI VISION INC.**, Shenzhen (CN)

(72) Inventors: **Qijiang Wu**, Shenzhen (CN); **Jianxin Li**, Shenzhen (CN); **Lingwu Huang**, Shenzhen (CN); **Jingkang Liu**, Shenzhen (CN)

(73) Assignee: **ARASHI VISION INC.**, Shenzhen (CN)

(**) Term: **15 Years**

(21) Appl. No.: **29/704,877**

(22) Filed: **Sep. 9, 2019**

(30) **Foreign Application Priority Data**

Mar. 25, 2019 (CN) 2019 3 0124937

(51) **LOC (12) Cl.** **16-01**

(52) **U.S. Cl.**
USPC **D16/210; D16/218**

(58) **Field of Classification Search**
USPC D16/200, 202-208, 218, 219, 242;
348/143, 148, 151, 373-376; 396/419,
396/427, 535, 539-541
CPC G03B 17/02; G03B 19/04; G03B 17/56;
G03B 17/04; G03B 15/03; H04N 5/2251;
H04N 5/2252; H04N 5/2253; H04N
5/2254; H04N 7/181; H04N 7/183; H04N
7/18; G08B 13/1963; G08B 13/19619;
G08B 13/19632

See application file for complete search history.

(56) **References Cited**

U.S. PATENT DOCUMENTS

D527,406 S * 8/2006 Lin D16/202
7,429,997 B2 * 9/2008 Givon G03B 35/00
348/46

D690,344 S * 9/2013 Hollinger D16/200
D700,232 S * 2/2014 Ramsay D16/218
D730,966 S * 6/2015 Liu D16/202
D745,076 S * 12/2015 Pfeil D16/207
D768,750 S * 10/2016 Pfeil D16/207
D792,496 S * 7/2017 Meyer D16/207
D848,506 S * 5/2019 Hsu D16/210
D849,100 S * 5/2019 Hsu D16/210
D858,602 S * 9/2019 Fung D16/202
D868,870 S * 12/2019 Huang D16/210
2011/0128349 A1 * 6/2011 Theobald H04N 5/2251
348/36

* cited by examiner

Primary Examiner — Ramzi S Almatrahi

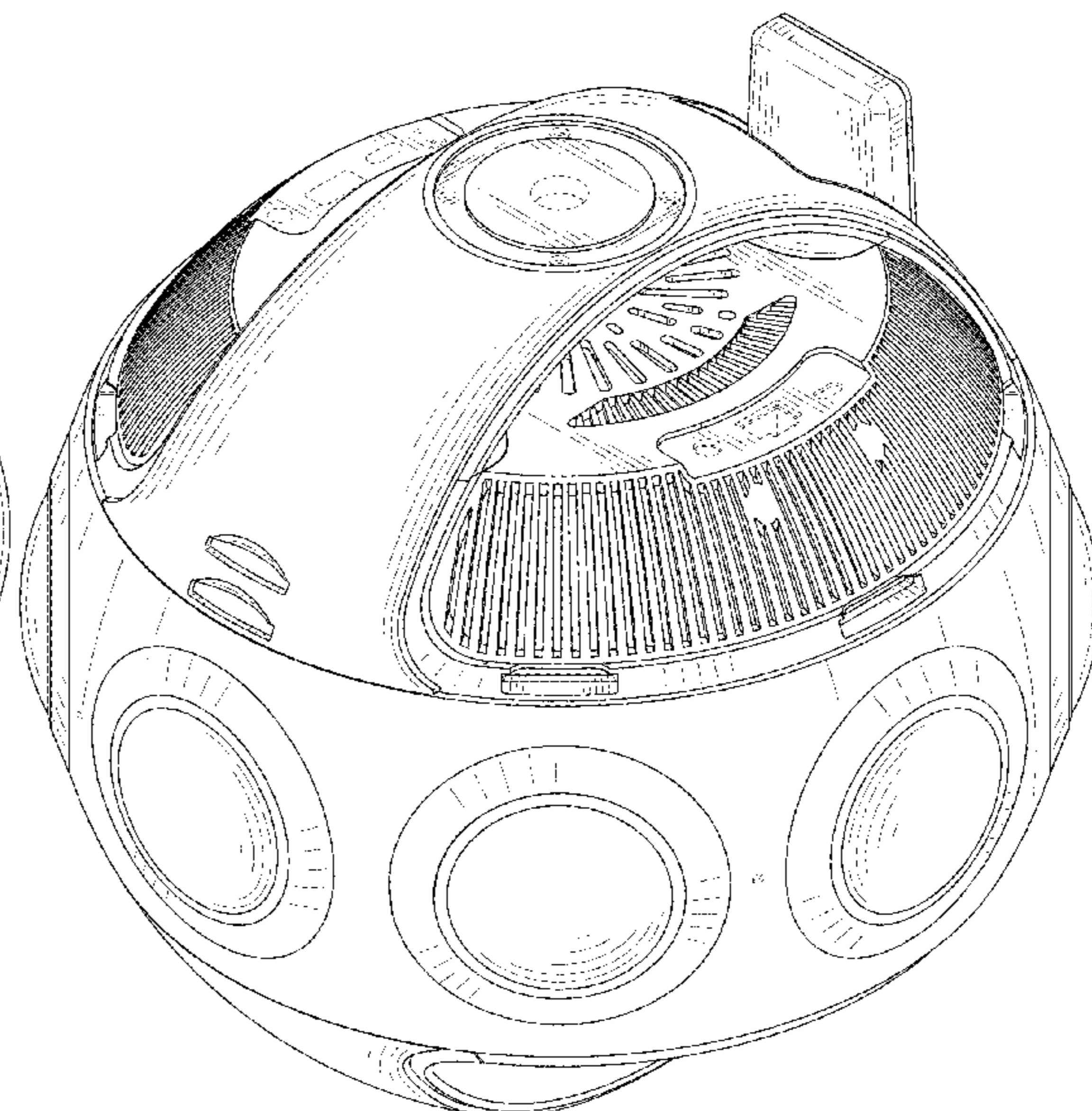
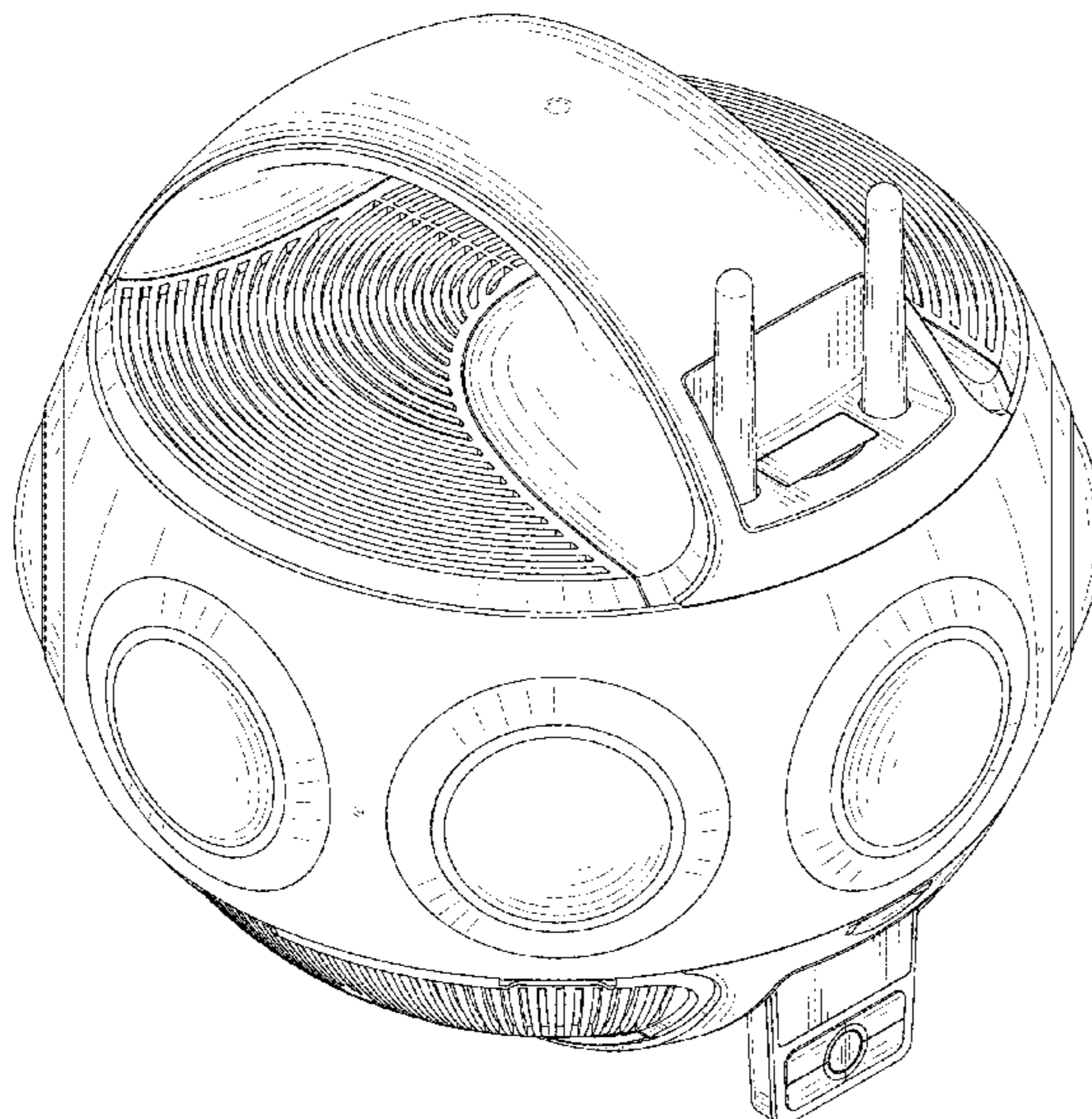
(57) **CLAIM**

The ornamental design for a panoramic camera, as shown and described.

DESCRIPTION

FIG. 1 is a top, front and left side perspective view of a panoramic camera showing our new design;
FIG. 2 is a bottom, rear and right side perspective view thereof;
FIG. 3 is a front elevational view thereof;
FIG. 4 is a rear elevational view thereof;
FIG. 5 is a left side view thereof;
FIG. 6 is a right side view thereof;
FIG. 7 is a top plan view thereof; and,
FIG. 8 is a bottom plan view thereof.
The broken lines in the drawings illustrate portions of the panoramic camera which form no part of the claimed design.

1 Claim, 8 Drawing Sheets



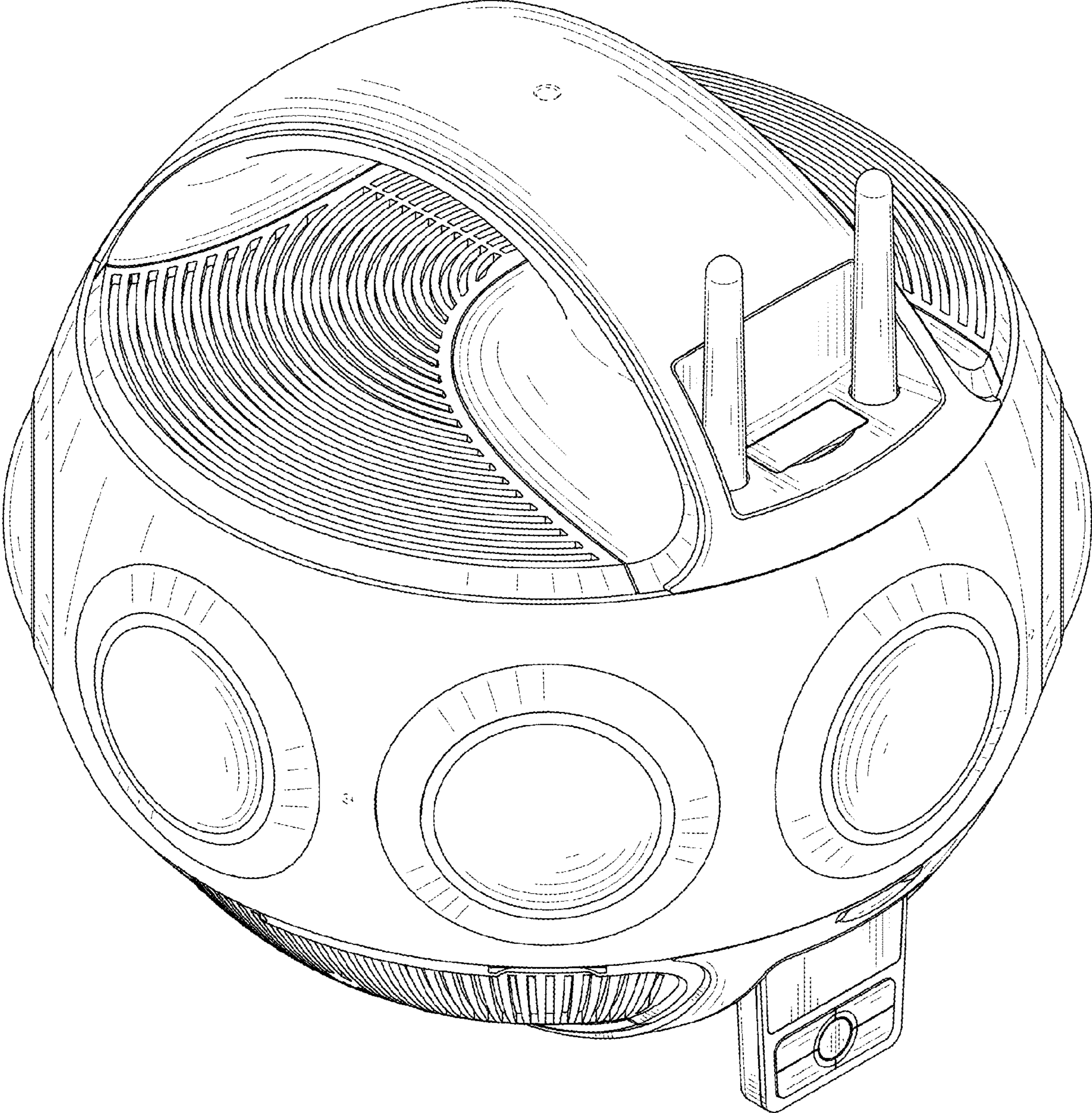


FIG. 1

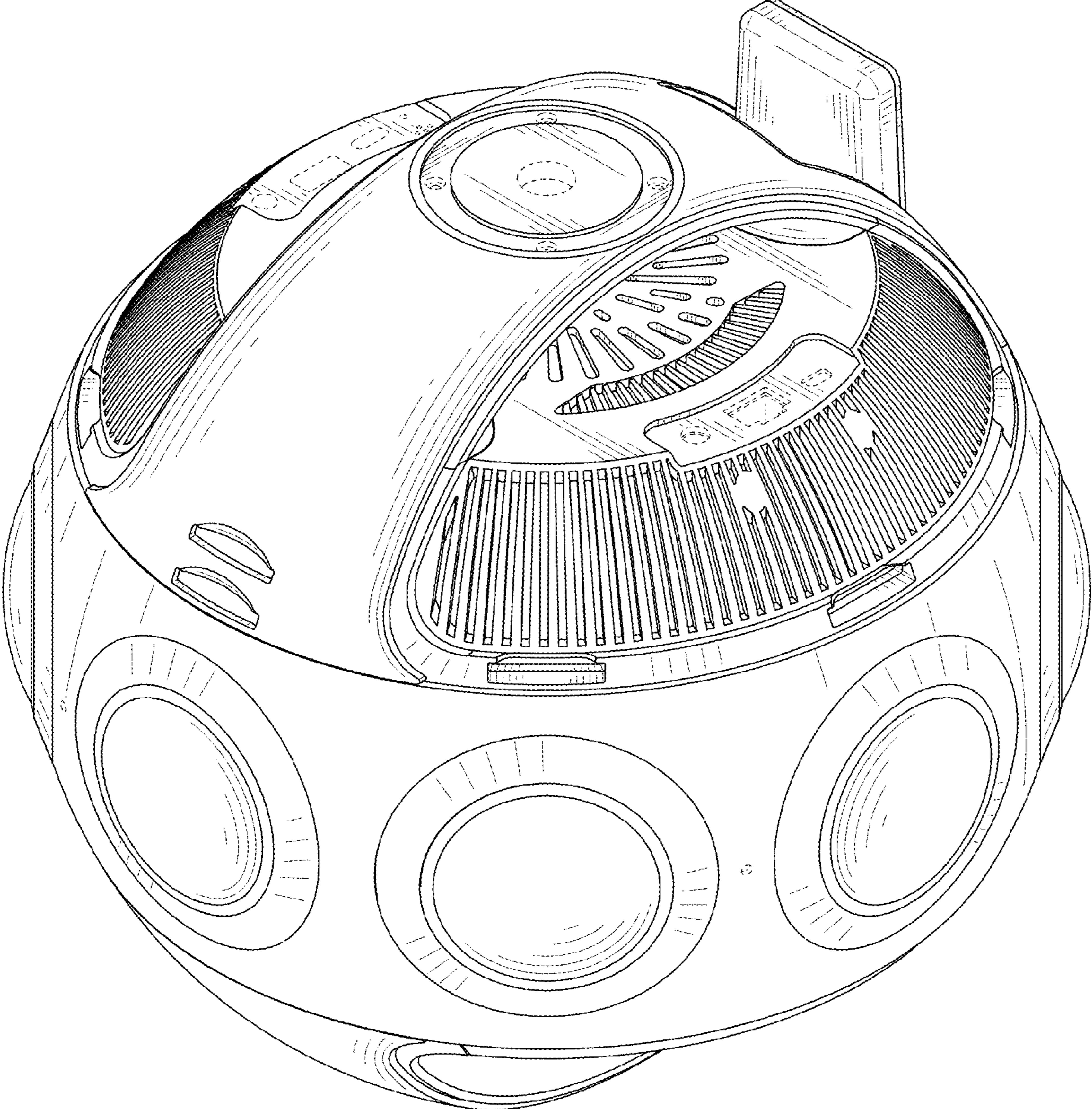


FIG. 2

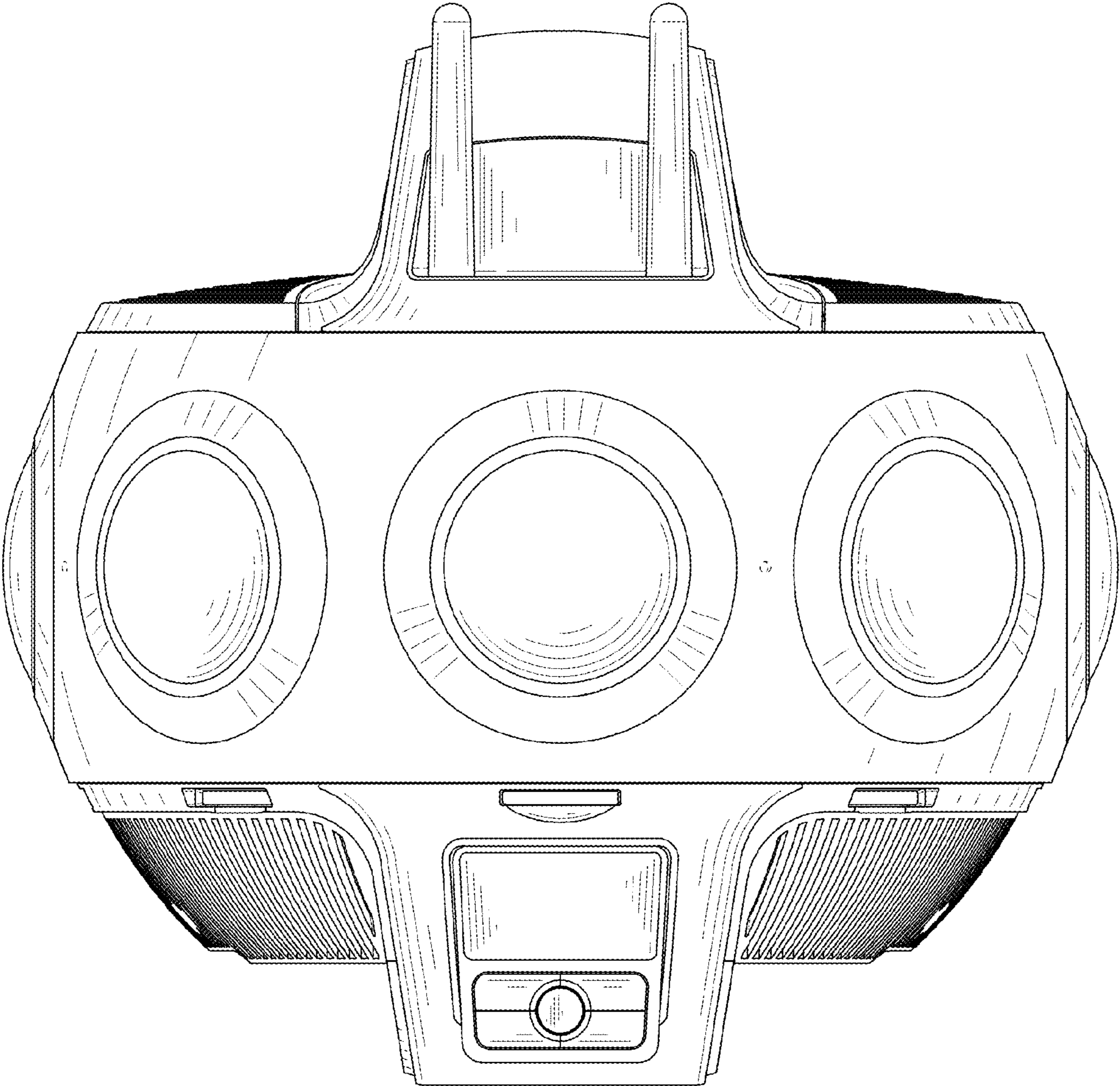


FIG. 3

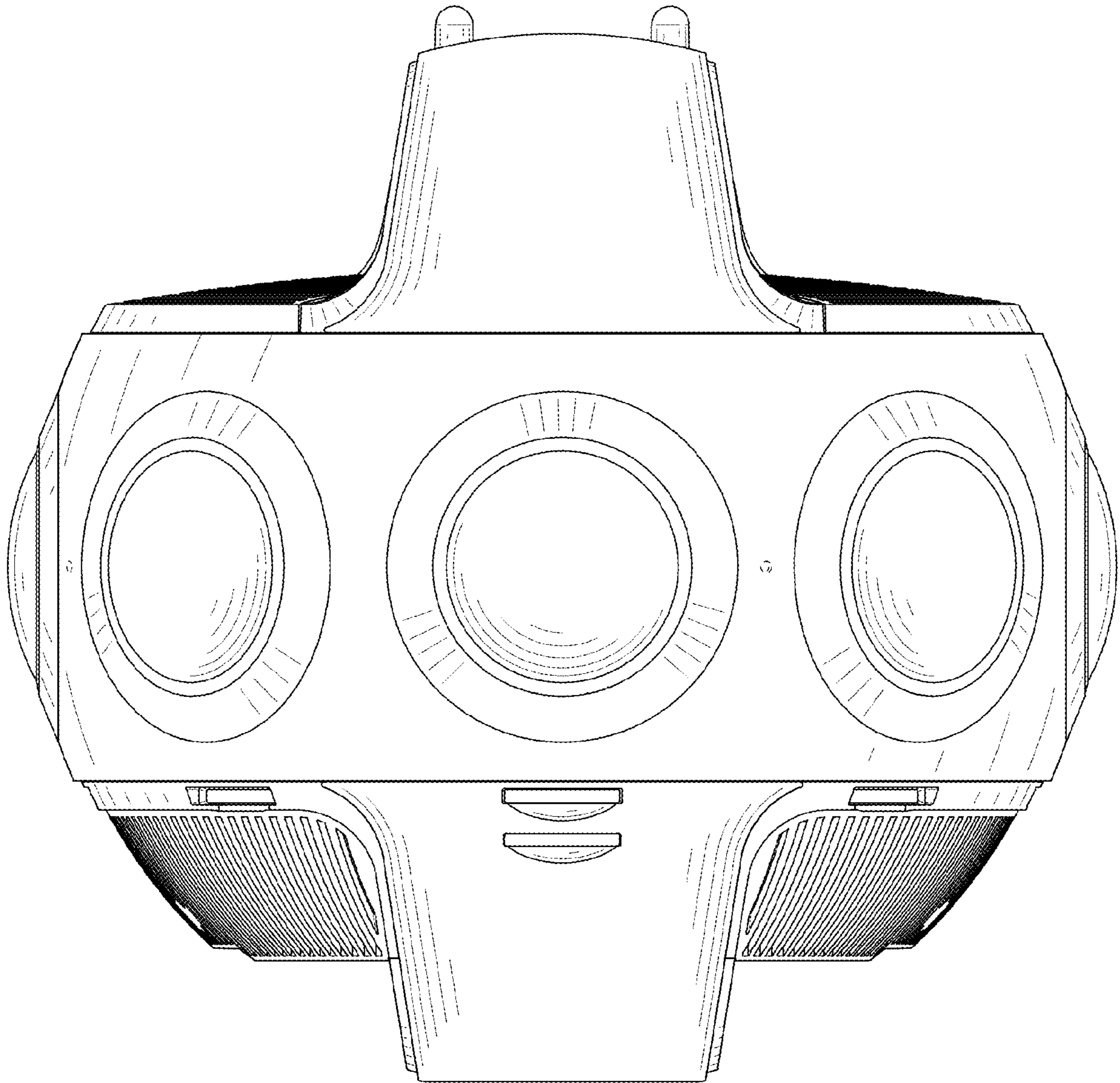


FIG. 4

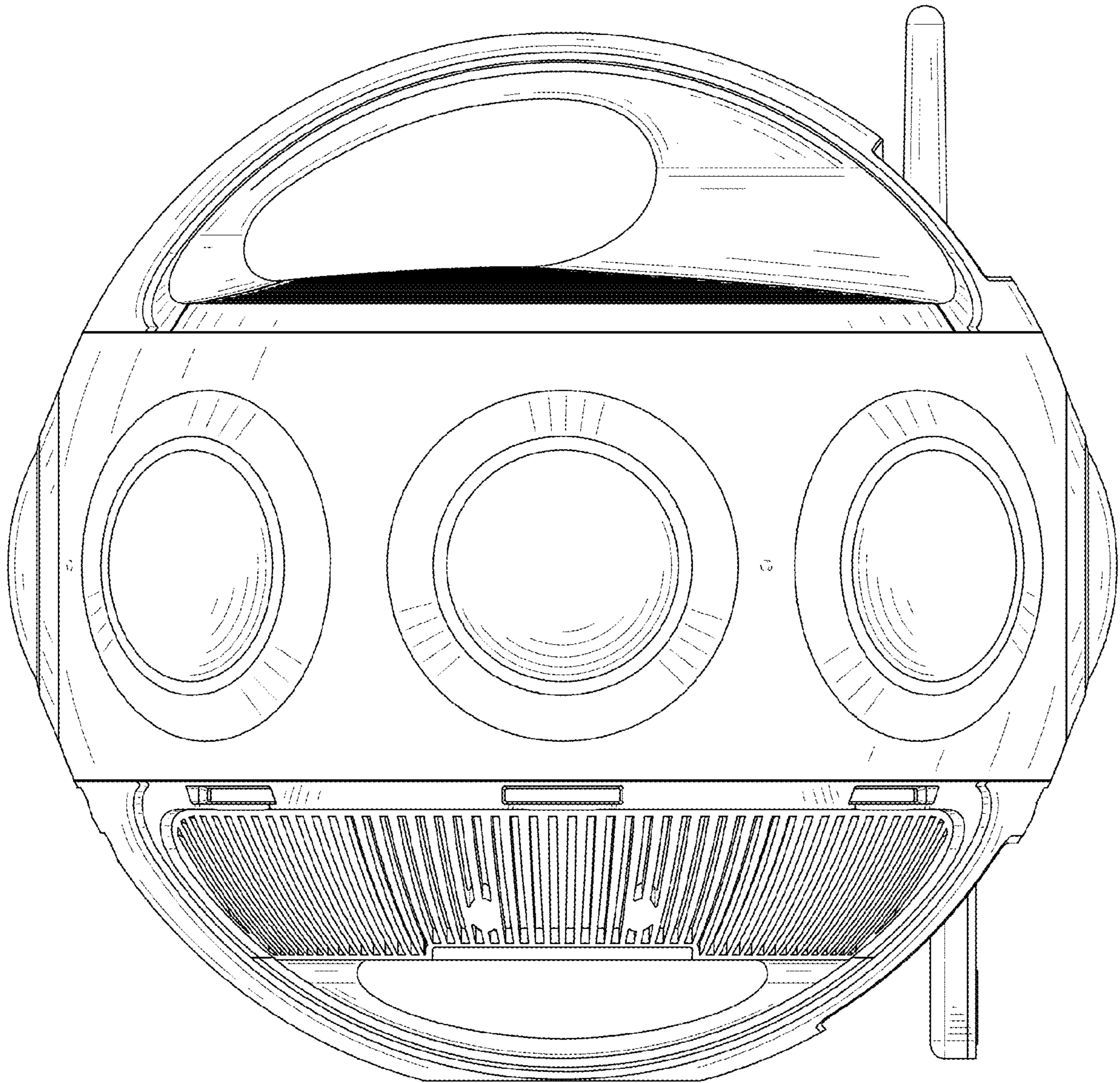


FIG. 5

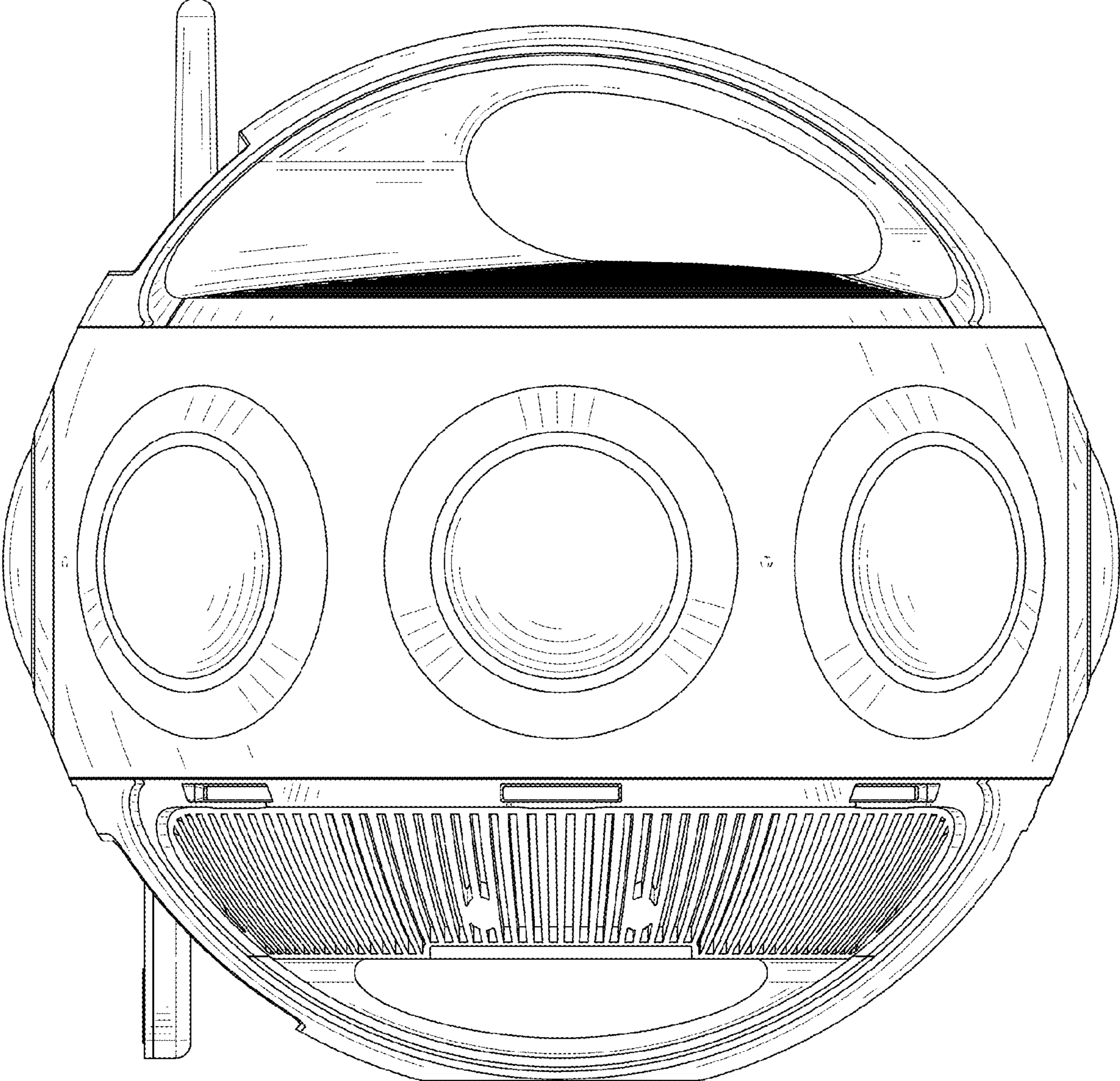


FIG. 6

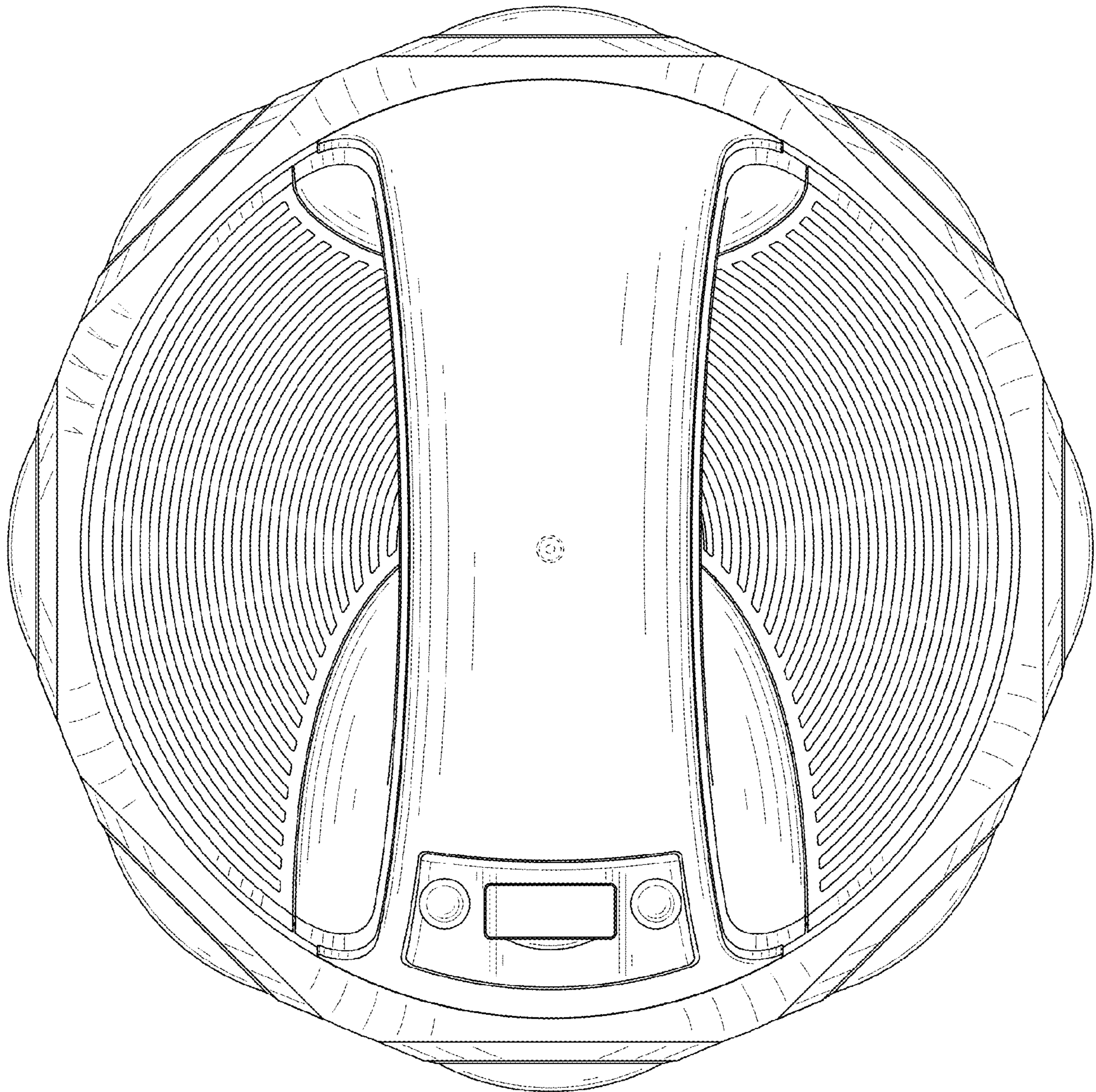


FIG. 7

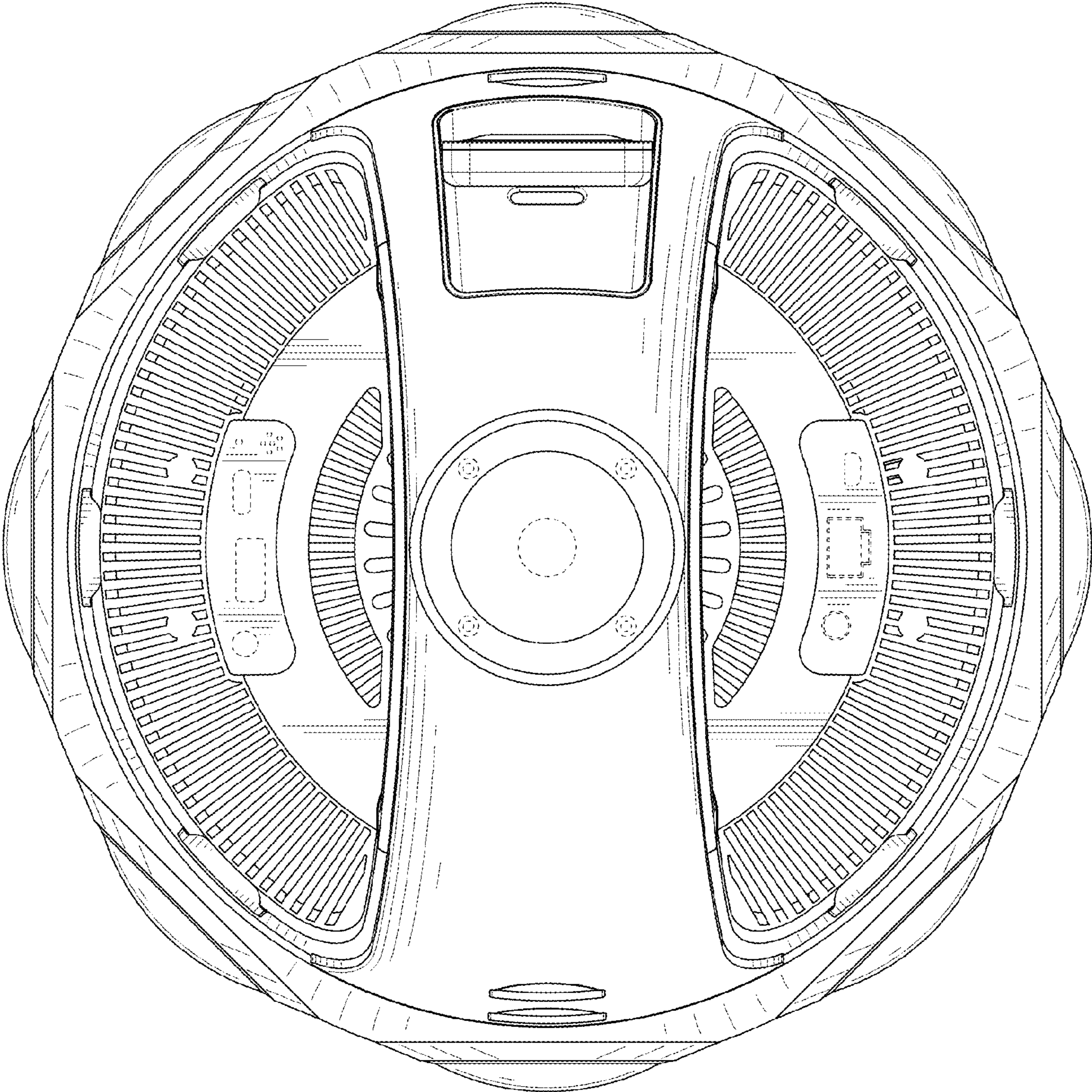


FIG. 8